

Auto, Manual & Switchable Reset Circuit Breakers



SPECIFICATIONS

Single Pole Thermal Type Breakers

Ratings: 25A to 150A; 30 VDC, 3000 Amp Interrupt Capacity.

Operating Temperature: -25°F (-32°C) to 180°F (82°C).

Storage Temperature: -30°F (-34°C) to 300°F (149°C).

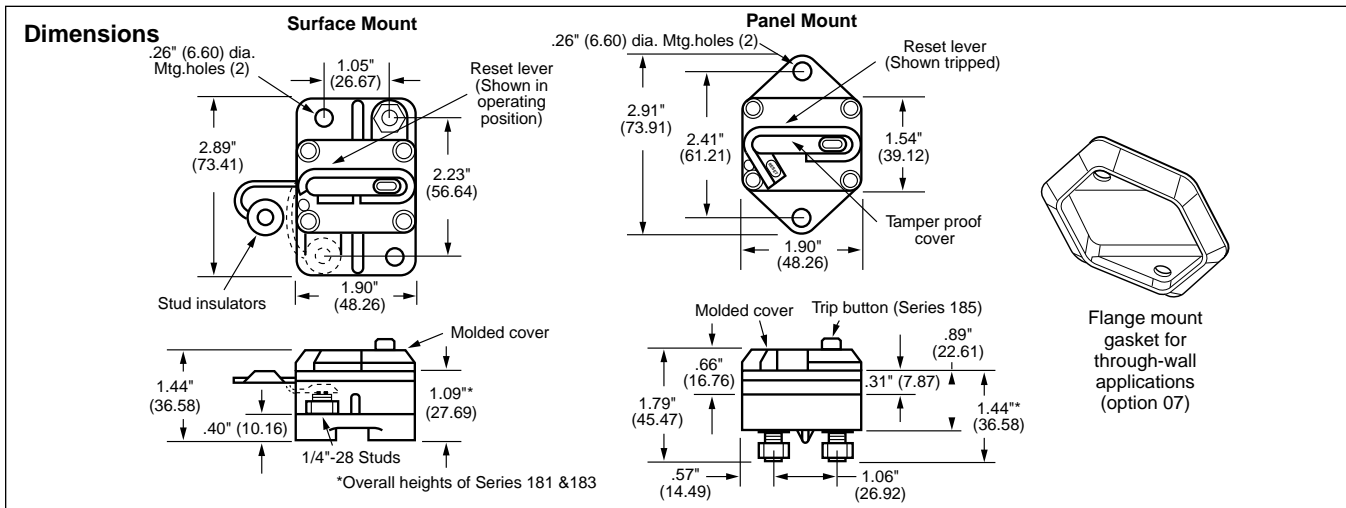
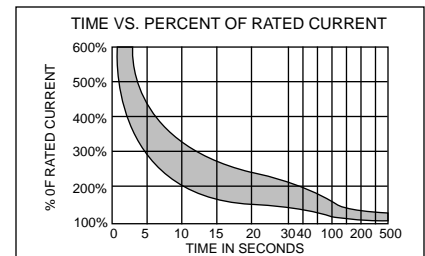
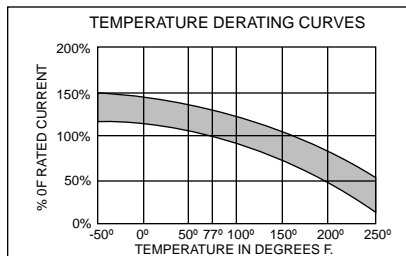
Applications: Typically used in auxiliary and accessory circuits -- trucks, buses, RV's and marine applications. Others might include battery chargers and DC audio systems. Series 181, 184 & 185 are sealed for engine compartment and bilge area applications.

Housing: Thermoset plastic; UL rated 94VO; 311°F (155°C). Stud insulators are provided on covered units with F (Surface Mount) bases.

Mounting: Panel or surface.

Indicator: Series 184 & 185 have a unique reset mechanism which provides visible indication of tripped condition.

Approvals: Complies with SAEJ1625



PART NUMBERING SYSTEM

Series	Rating	Mounting	Terminal Hdwr.	Marking
181 - Auto Reset	025 - 25 amps	F - Surface Mount	00 - Ship w/o nuts	0 - Blank cover
183 - Auto Reset*	030 - 30 amps	P - Panel Mount	01 - Sems nuts installed	1 - Standard Marking; Part Number, Amp Rating
184 - Manual Reset	035 - 35 amps		02 - Sems nuts shipped bulk	181, 184, 185 Series - Top Surface
185 - Switchable/Manual	040 - 40 amps		03 - Stainless Steel Std. nuts & washers installed	183 Series - Side Surface
	050 - 50 amps		04 - Stainless Steel Std. nuts & washers shipped bulk	Consult factory for special markings.
	060 - 60 amps		07 - Flange gasket & Sems nuts installed (Panel Mount Only)	
	070 - 70 amps			
	080 - 80 amps			
	090 - 90 amps			
	100 - 100 amps			
	110 - 110 amps			
	120 - 120 amps			
	135 - 135 amps			
	150 - 150 amps			

*183 Available in Panel Mount Only (Coverless)