

# PARTS INDEX

For Lathes From Serial No. 403934 To \_\_\_\_\_

Cabinet .....	15.1
Bed .....	16
Electrics .....	17.1
Headstock Casting and Gear Train Guard .....	18.1
Headstock .....	19
Quick Change Gear Box .....	20.2
Gear Train .....	21
Countershaft .....	22.1
Motor Base Assembly.....	23.1
Cross Slide .....	24
Carriage.....	25
Apron .....	26.2 & 27.1
Tailstock .....	28.1

## INSTRUCTIONS FOR ORDERING REPAIR PARTS

It is important to furnish the following information in addition to QUANTITY required:

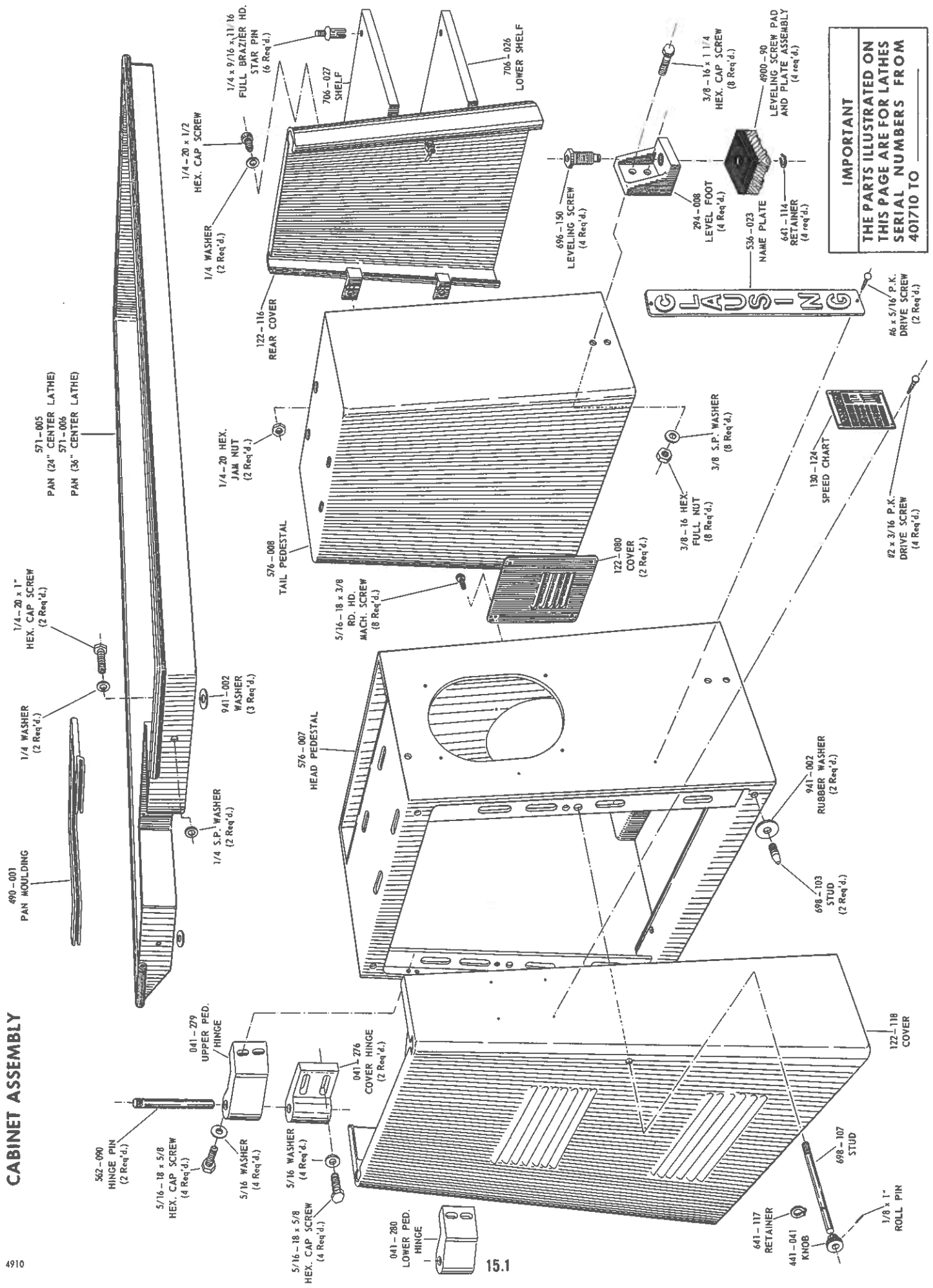
1. PART NUMBER
2. PART NAME
3. MODEL and SERIAL NUMBER of machine tool -- you'll find both on the metal plate attached to machine -- note illustration below.



NOTE: Screws and nuts shown without part numbers should be purchased locally.

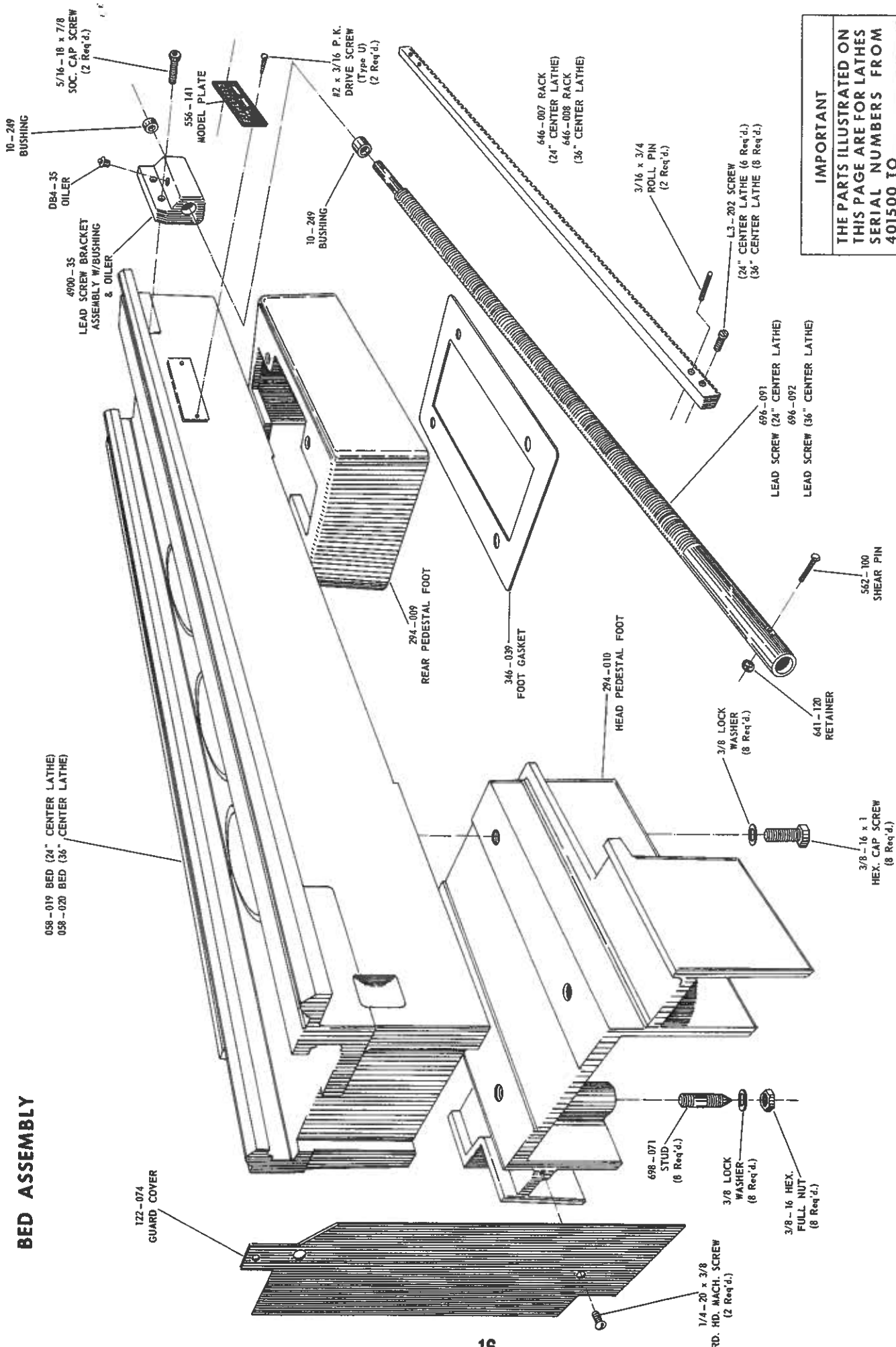
We reserve the right to make changes in design and specifications without notice.

# CABINET ASSEMBLY



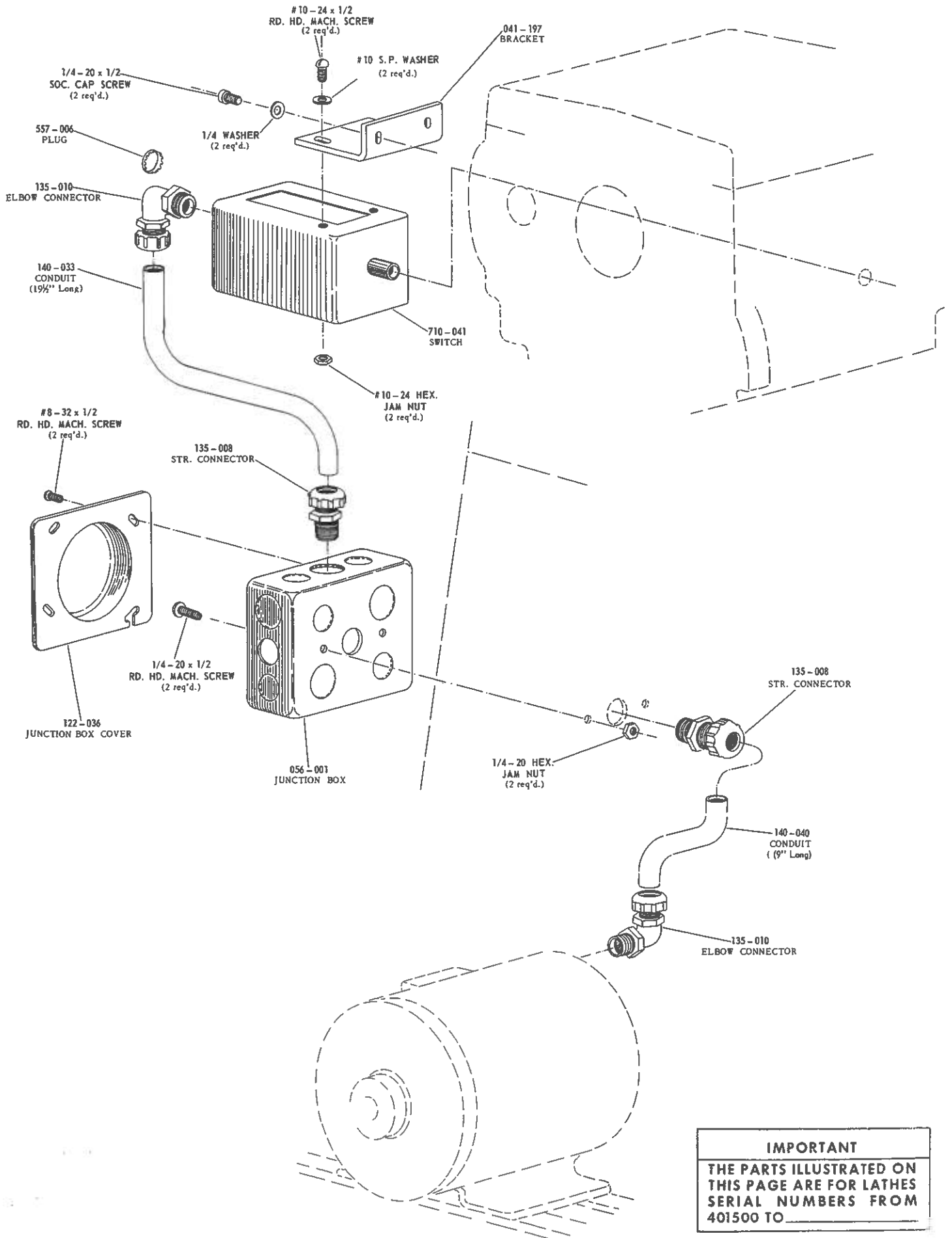
**IMPORTANT**  
 THE PARTS ILLUSTRATED ON THIS PAGE ARE FOR LATHES SERIAL NUMBERS FROM 401710 TO \_\_\_\_\_

# BED ASSEMBLY



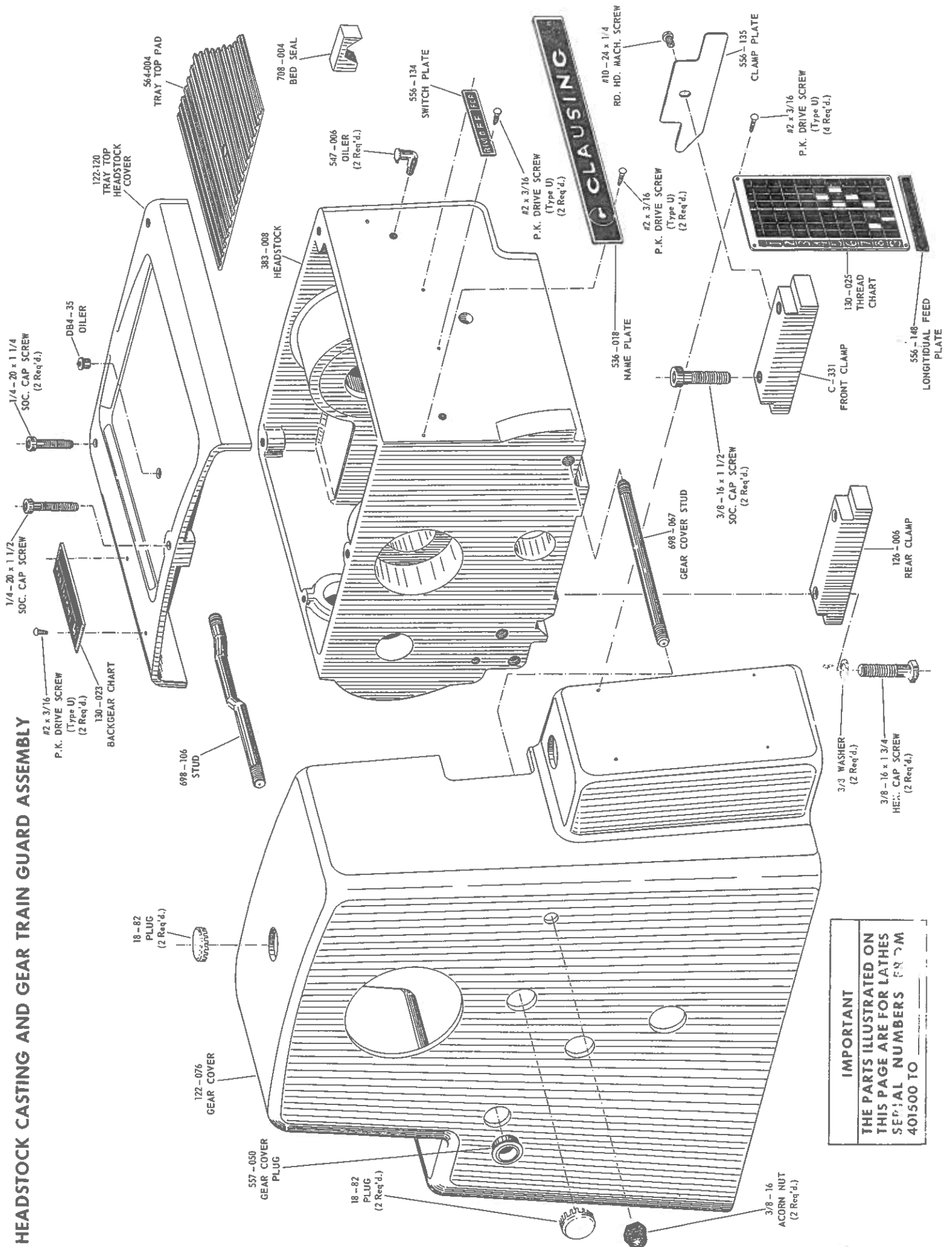
**IMPORTANT**  
 THE PARTS ILLUSTRATED ON THIS PAGE ARE FOR LATHES SERIAL NUMBERS FROM 401500 TO

# ELECTRICAL ASSEMBLY



**IMPORTANT**  
 THE PARTS ILLUSTRATED ON THIS PAGE ARE FOR LATHES SERIAL NUMBERS FROM 401500 TO \_\_\_\_\_

# HEADSTOCK CASTING AND GEAR TRAIN GUARD ASSEMBLY

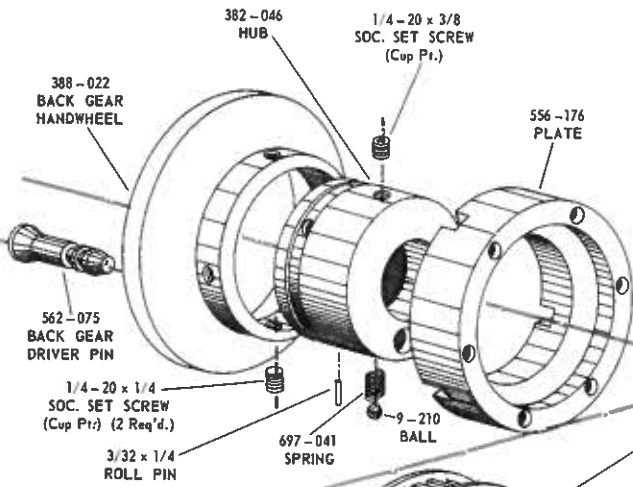


**IMPORTANT**  
 THE PARTS ILLUSTRATED ON  
 THIS PAGE ARE FOR LATHES  
 SERIAL NUMBERS 8737M  
 401500 TO

# HEADSTOCK ASSEMBLY

## 4900-70 BACK GEAR ENGAGE HUB ASSEMBLY

Consists of:  
562-075 PIN  
697-041 SPRING  
382-046 HUB  
9-210 BALL  
3/32 x 1/4 ROLL PIN  
1/4 - 20 x 3/8 SOC. SET SCREW (Cup Pt.)



341-080  
FEED GEAR  
(32T)

341-181  
BACK GEAR  
(61T)

562-075  
BACK GEAR  
DRIVER PIN  
1/4 - 20 x 1/4  
SOC. SET SCREW  
(Cup Pt.) (2 Req'd.)  
3/32 x 1/4  
ROLL PIN  
697-041  
SPRING  
9-210  
BALL

4900-77  
SPINDLE PULLEY  
ASSEMBLY

4900-74  
GEAR HUB ASSEMBLY  
(With Bushing)  
(33T)

641-068  
RETAINER

547-002  
OILER

1/4 - 20 x 1/4  
SOC. SET SCREW  
(Cup Pt.)

641-005  
RETAINER

1/4 - 20 x 1-1/8  
SOC. CAP SCREW  
(6 Req'd.)

## 4900-78 SPINDLE PULLEY AND DRIVER ASSEMBLY

Consists of:  
4900-77 PULLEY  
044-032 BEARING  
4900-74 GEAR HUB ASSEMBLY  
547-002 OILER  
1/4 - 20 x 1-1/8 SOC. CAP SCREW (6)  
556-176 PLATE

044-032  
BEARING

939-005  
THRUST WASHER

537-067  
BEARING TAKE-UP  
NUT

932-064  
WASHER

## 4900-25 TUMBLER KNOB ASSEMBLY

Consists of:  
10-1231 PLUNGER  
10-1244 SLEEVE  
441-057 KNOB  
697-047 SPRING  
3/32 x 3/4 ROLL PIN

051-048  
TIMING BELT

1/4 - 20 x 1/4  
SOC. SET SCREW  
(Cup Pt.)

341-083  
GEAR  
(18T)

932-060  
WASHER

5/16 - 18 x 1/4  
SOC. SET SCREW  
(Cup Pt.) (2 Req'd.)

122-070  
DUST COVER

10-1231  
PLUNGER

10-1244  
SLEEVE

441-057  
KNOB

697-047  
SPRING

3/32 x 3/4  
ROLL PIN

3/32 x 3/4  
ROLL PIN

10-1231  
PLUNGER

#10-24 x 1/4  
SOC. SET SCREW  
(Cup Pt.)

697-047  
SPRING

10-1244  
SLEEVE

3/16 x 5/8  
DOWEL PIN

1/8 x 3/8  
ROLL PIN

556-160  
PLATE

1/16 x 5/8  
ROLL PIN  
(2 Req'd.)

1/4 - 20 x 1/4  
SOC. SET SCREW  
(Cup Pt.)

698-070  
STUD

441-056  
KNOB

9-157  
SPRING

700-152  
SHAFT

#10-32 x 3/8  
SOC. SET SCREW  
(Cup Pt.)

3/8 S.P. WASHER  
(2 Req'd.)

041-196  
TUMBLER BRACKET

049-057  
BUSHING

828-052  
OILER TUBE

700-108  
TUMBLER SHAFT

DB4-35  
OILER

10-1225  
COLLAR

1/4 - 20 x 3/16  
SOC. SET SCREW  
(Cup Pt.)

10-1225  
COLLAR

## 4900-62 REV. SWITCH LOCK KNOB ASSEMBLY

Consists of:  
382-042 HUB  
441-056 KNOB  
441-069 KNOB  
556-160 PLATE  
645-061 ROD  
698-070 STUD  
700-152 SHAFT  
9-157 SPRING  
1/16 x 5/8 ROLL PIN (2)  
#10-24 x 1/4 SOC. SET SCREW  
1/4 - 20 x 1/4 SOC. SET SCREW  
1/8 x 3/8 ROLL PIN

441-069  
PUSH KNOB

#10-24 x 1/4  
SOC. SET SCREW  
(Cup Pt.)

441-056  
KNOB

698-070  
STUD

1/4 - 20 x 1/4  
SOC. SET SCREW  
(Cup Pt.)

3/16 x 5/8  
DOWEL PIN

1/8 x 3/8  
ROLL PIN

556-160  
PLATE

645-061  
PUSH ROD

9-157  
SPRING

700-152  
SHAFT

#10-24 x 1/4  
SOC. SET SCREW  
(Cup Pt.)

10-1231  
PLUNGER

10-1244  
SLEEVE

697-047  
SPRING

3/32 x 3/4  
ROLL PIN

441-057  
KNOB

10-1231  
PLUNGER

10-1244  
SLEEVE

441-057  
KNOB

697-047  
SPRING

3/32 x 3/4  
ROLL PIN

10-1231  
PLUNGER

10-1244  
SLEEVE

441-057  
KNOB

697-047  
SPRING

3/32 x 3/4  
ROLL PIN

10-1231  
PLUNGER

10-1244  
SLEEVE

441-057  
KNOB

697-047  
SPRING

3/32 x 3/4  
ROLL PIN

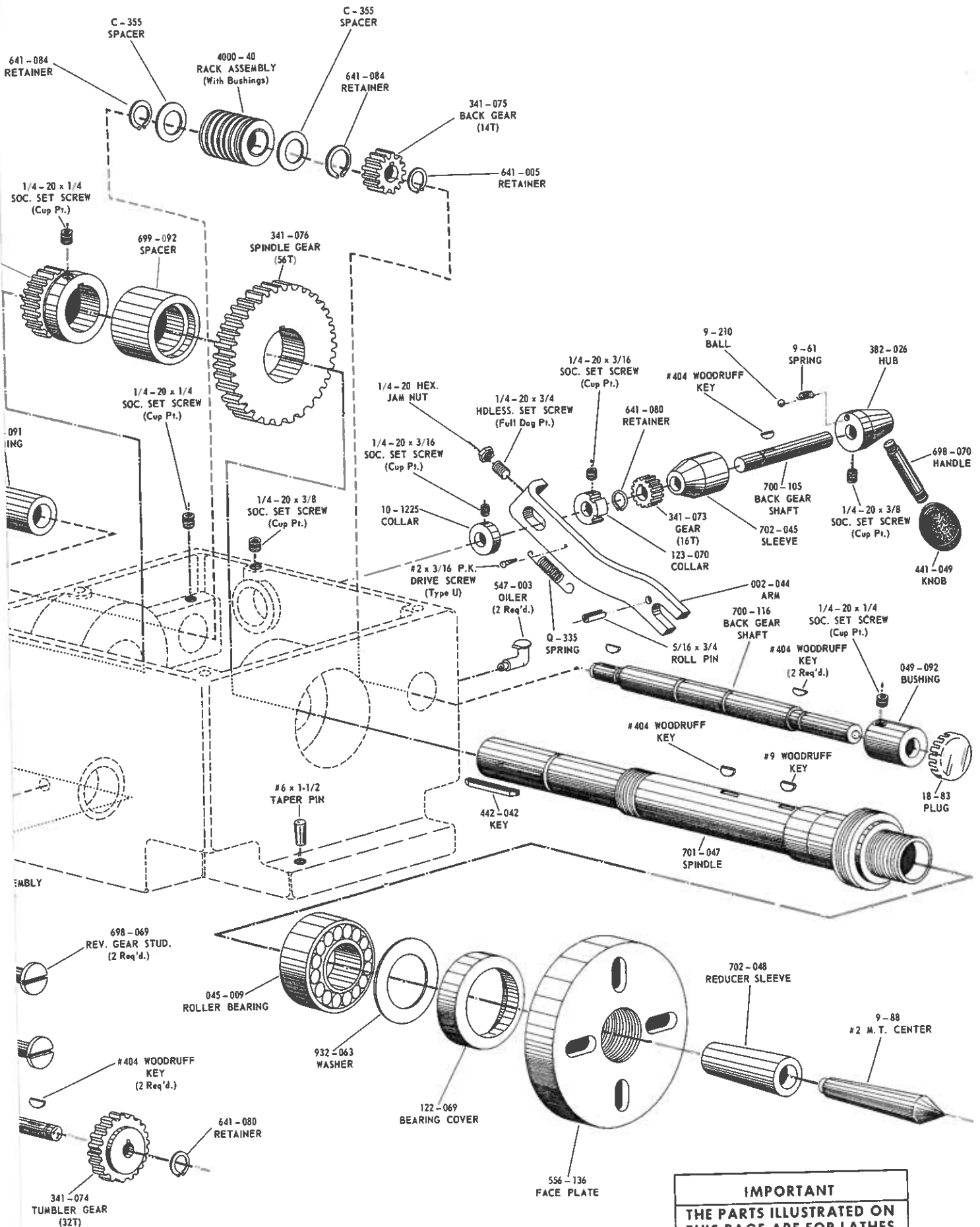
10-1231  
PLUNGER

10-1244  
SLEEVE

441-057  
KNOB

697-047  
SPRING

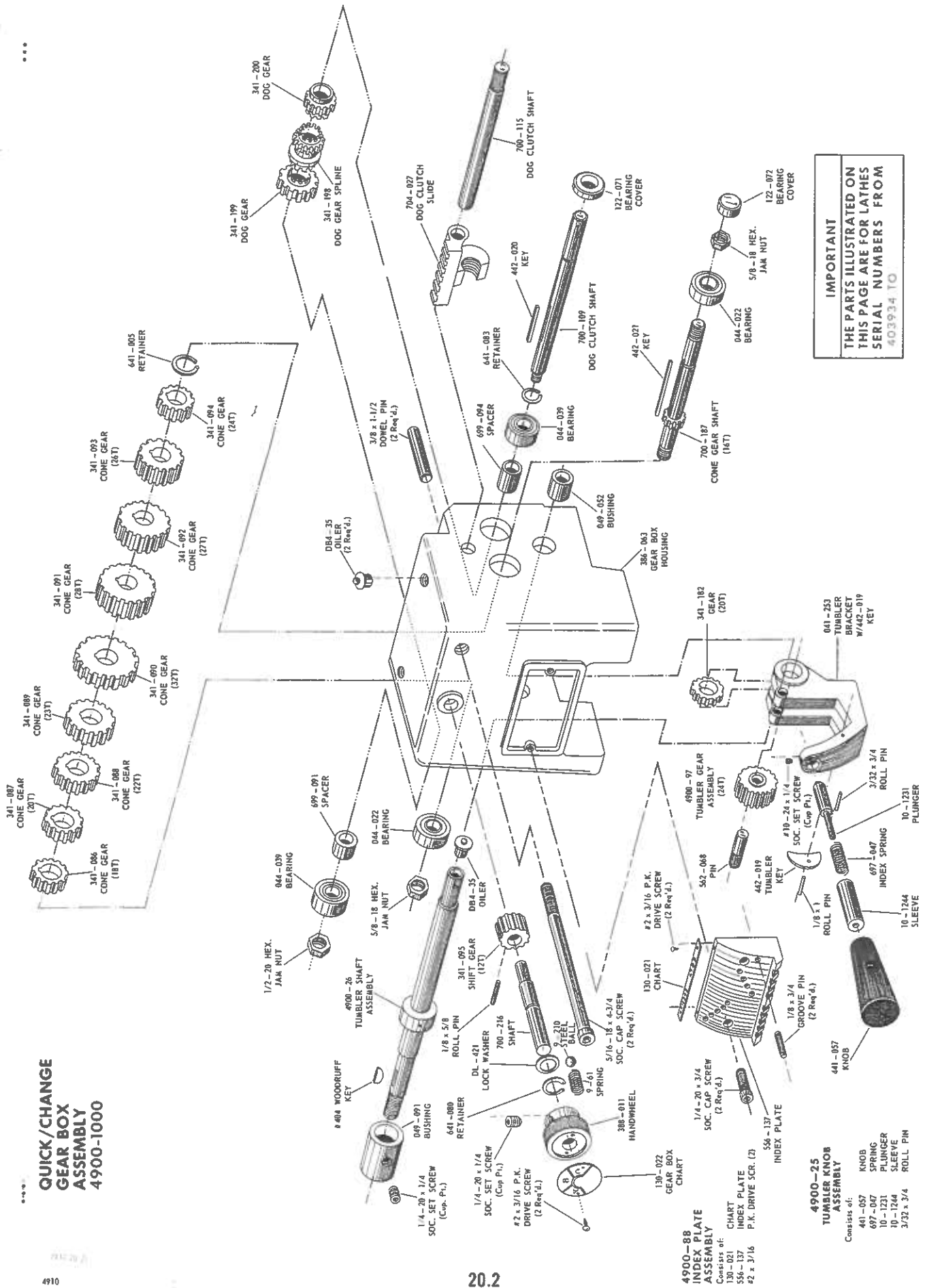
3/32 x 3/4  
ROLL PIN



**IMPORTANT**

THE PARTS ILLUSTRATED ON  
 THIS PAGE ARE FOR LATHES  
 SERIAL NUMBERS FROM  
 401500 TO

**QUICK/CHANGE  
GEAR BOX  
ASSEMBLY  
4900-1000**



**IMPORTANT**  
THE PARTS ILLUSTRATED ON  
THIS PAGE ARE FOR LATHES  
SERIAL NUMBERS FROM  
403934 TO

- 4900-88  
INDEX PLATE  
ASSEMBLY**  
Consists of:  
130-021 CHART  
130-022 INDEX PLATE  
586-137 P.K. DRIVE SCR. (2)  
42 x 3/16

- 4900-25  
TUMBLER KNOB  
ASSEMBLY**  
Consists of:  
441-057 KNOB  
497-107 SPRING  
10-1231 PLUNGER  
10-1124 SLEEVE  
3/32 x 3/4 ROLL PIN

- 4900-26  
TUMBLER ASSEMBLY**  
Consists of:  
4900-97 TUMBLER GEAR ASSEMBLY (24T)  
442-019 TUMBLER  
410-24 x 1/4 SOC. SET SCREW (Cup Pl.)  
10-1331 ROLL PIN  
10-1124 SLEEVE  
697-107 INDEX SPRING  
3/32 x 3/4 ROLL PIN  
041-253 TUMBLER BRACKET W/42-019 KEY

- 4900-109  
DOG CLUTCH ASSEMBLY**  
Consists of:  
700-109 DOG CLUTCH SHAFT  
704-027 DOG CLUTCH SLIDE  
442-020 KEY  
641-083 RETAINER  
699-094 SPACER  
044-039 BEARING  
700-187 DOG CLUTCH SHAFT  
442-021 KEY  
044-022 BEARING  
5/8-18 HEX. JAM NUT  
122-071 BEARING COVER  
122-072 BEARING COVER

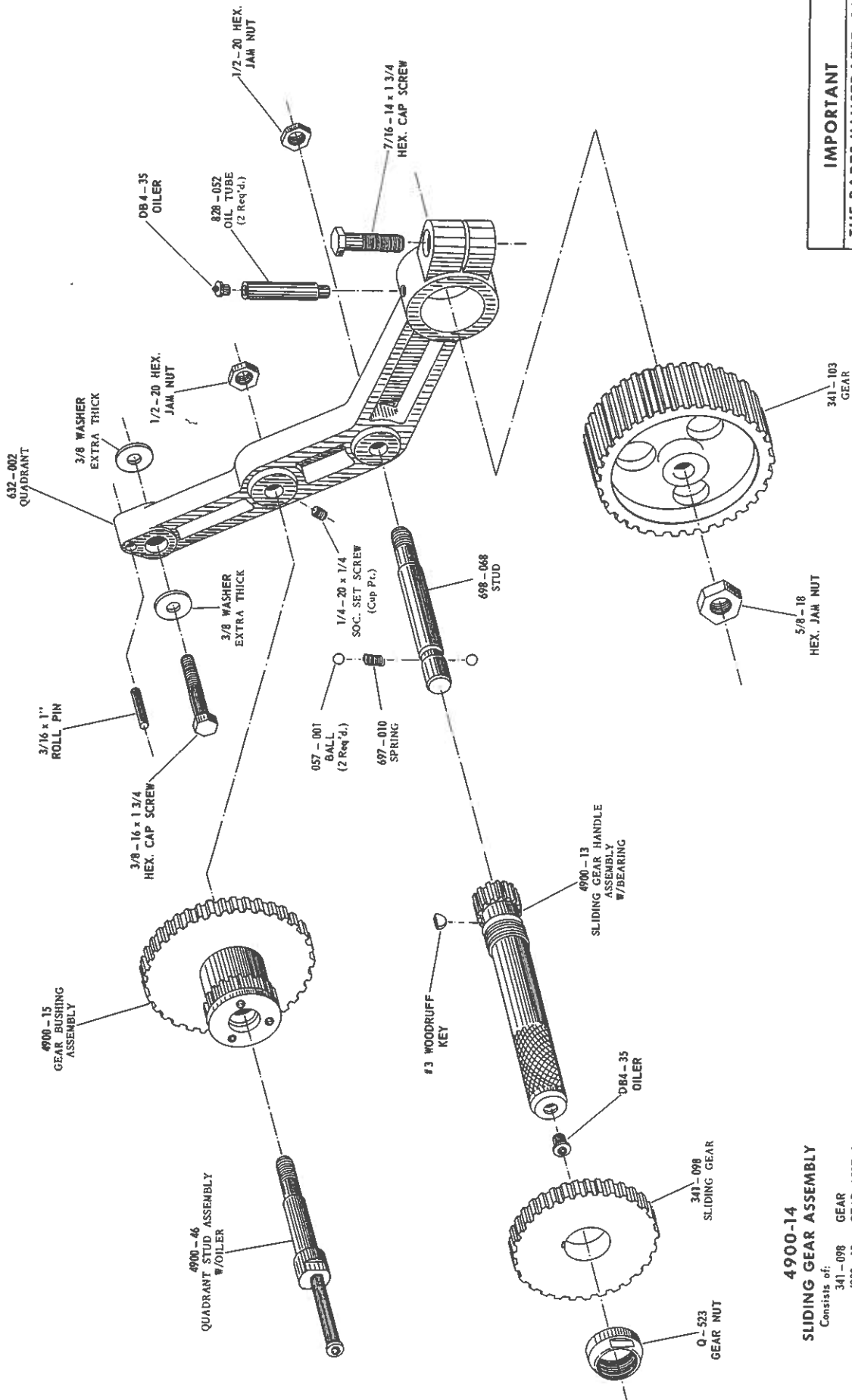
- 4900-187  
GEAR SHAFT ASSEMBLY**  
Consists of:  
700-187 GEAR SHAFT (16T)  
044-022 BEARING  
5/8-18 HEX. JAM NUT  
442-021 KEY

- 4900-24  
TUMBLER GEAR ASSEMBLY**  
Consists of:  
4900-97 TUMBLER GEAR ASSEMBLY (24T)  
442-019 TUMBLER  
410-24 x 1/4 SOC. SET SCREW (Cup Pl.)  
10-1331 ROLL PIN  
10-1124 SLEEVE  
697-107 INDEX SPRING  
3/32 x 3/4 ROLL PIN  
041-253 TUMBLER BRACKET W/42-019 KEY

- 4900-24  
TUMBLER GEAR ASSEMBLY**  
Consists of:  
4900-97 TUMBLER GEAR ASSEMBLY (24T)  
442-019 TUMBLER  
410-24 x 1/4 SOC. SET SCREW (Cup Pl.)  
10-1331 ROLL PIN  
10-1124 SLEEVE  
697-107 INDEX SPRING  
3/32 x 3/4 ROLL PIN  
041-253 TUMBLER BRACKET W/42-019 KEY



# QUADRANT ASSEMBLY NO. 4900-29



**IMPORTANT**  
THE PARTS ILLUSTRATED ON  
THIS PAGE ARE FOR LATHES  
SERIAL NUMBERS FROM  
401500 TO \_\_\_\_\_

**4900-14  
SLIDING GEAR ASSEMBLY**  
Consists of:  
341-098 GEAR  
4900-13 GEAR ASSEMBLY  
DB4-35 OILER  
0-523 NUT  
#3 WOODRUFF KEY

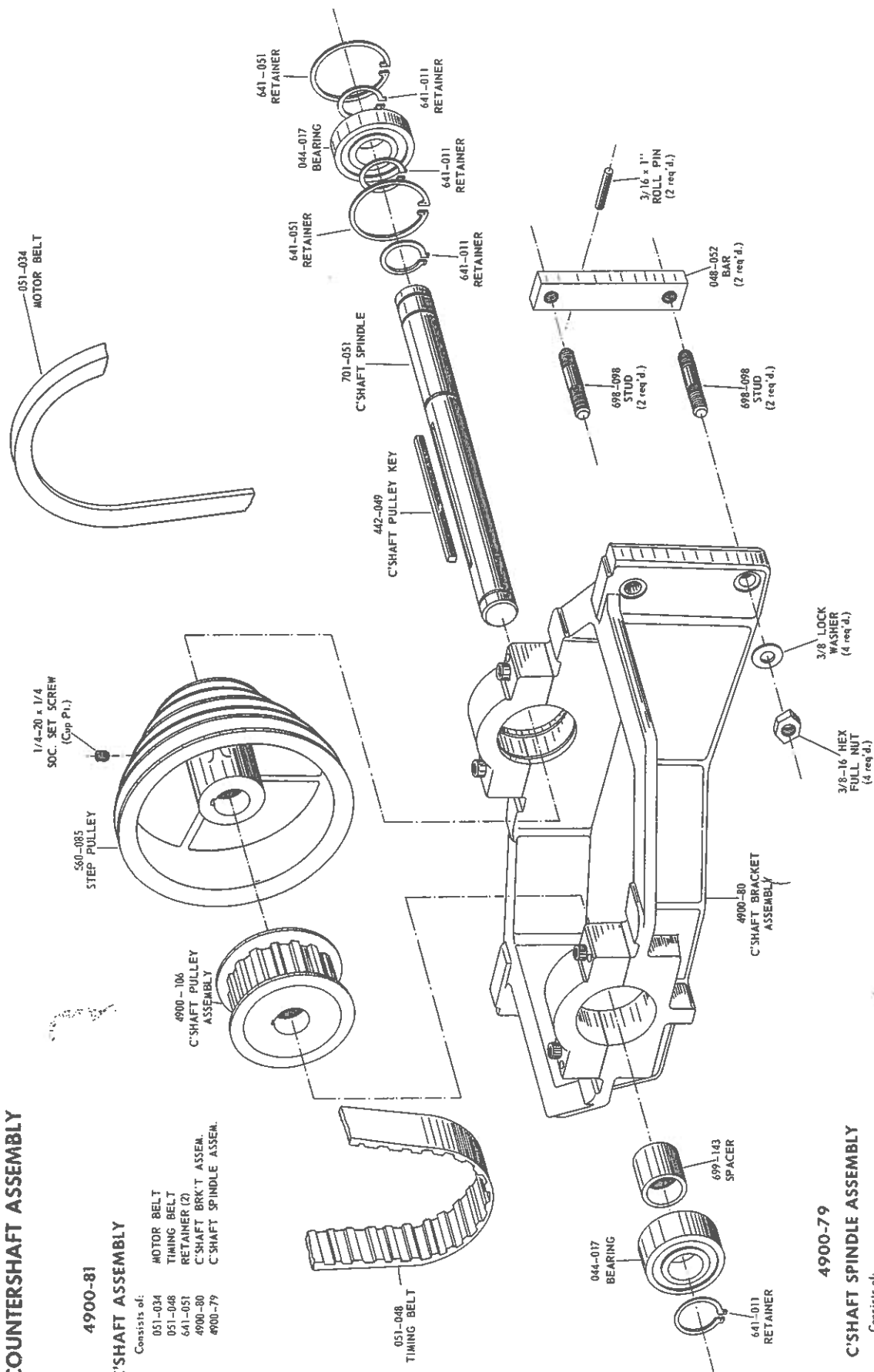
# COUNTERSHAFT ASSEMBLY

## 4900-81

### C'SHAFT ASSEMBLY

Consists of:

- 051-034 MOTOR BELT
- 051-048 TIMING BELT
- 641-051 RETAINER (2)
- 4900-80 C'SHAFT BRK'T ASSEM.
- 4900-79 C'SHAFT SPINDLE ASSEM.



## 4900-79

### C'SHAFT SPINDLE ASSEMBLY

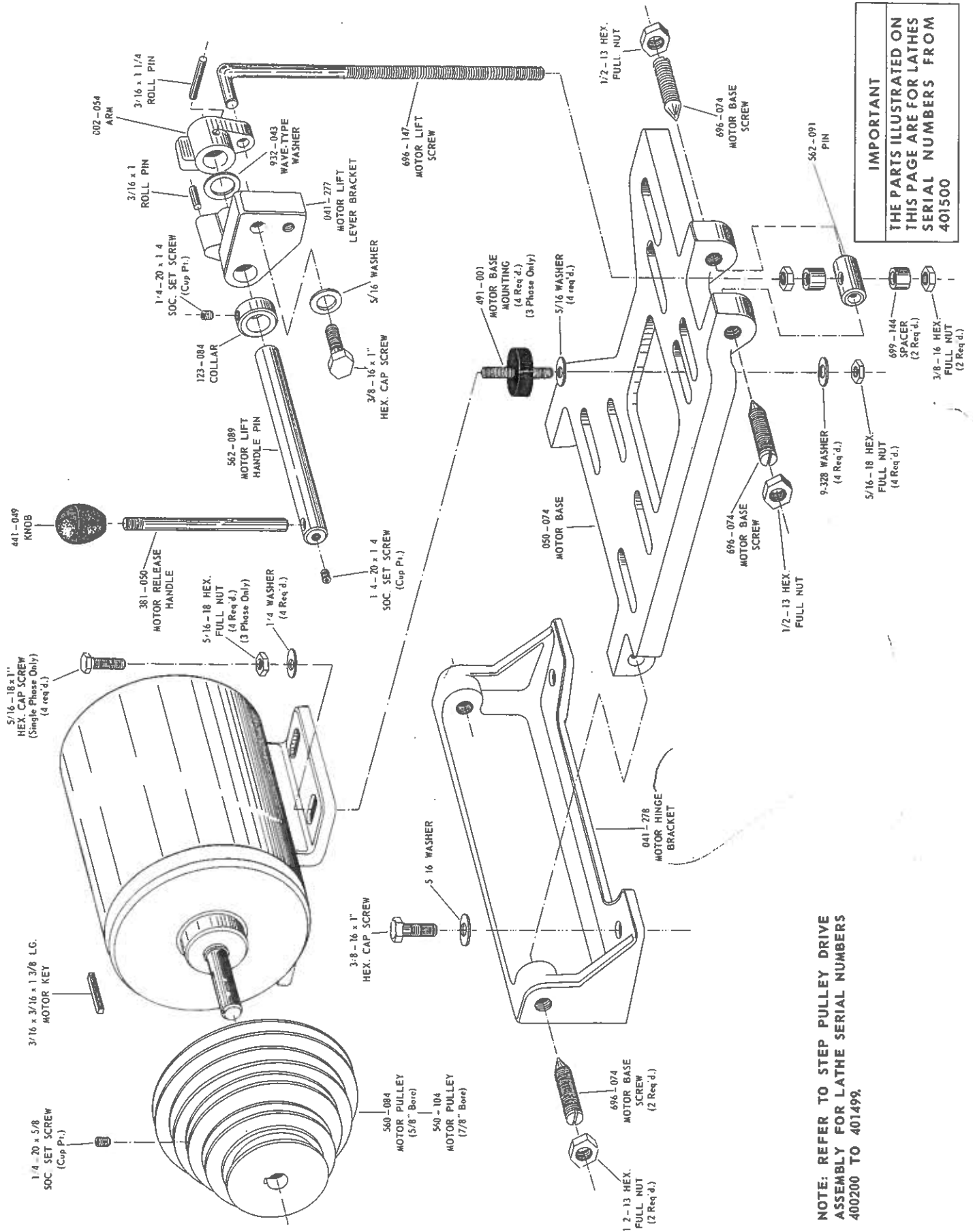
Consists of:

- 044-017 BEARING (2)
- 442-049 KEY
- 560-085 STEP PULLEY
- 641-011 RETAINER (4)
- 699-143 SPACER
- 701-051 SPINDLE
- 4900-106 C'SHAFT PULLEY ASSEM.
- 1/4-20 x 1/4 SOC. SET SCREW

**NOTE: REFER TO STEP PULLEY DRIVE ASSEMBLY FOR LATHE SERIAL NUMBERS 400200 TO 401499.**

**IMPORTANT**  
**THE PARTS ILLUSTRATED ON THIS PAGE ARE FOR LATHES SERIAL NUMBERS FROM 401500 TO**

# MOTOR BASE ASSEMBLY

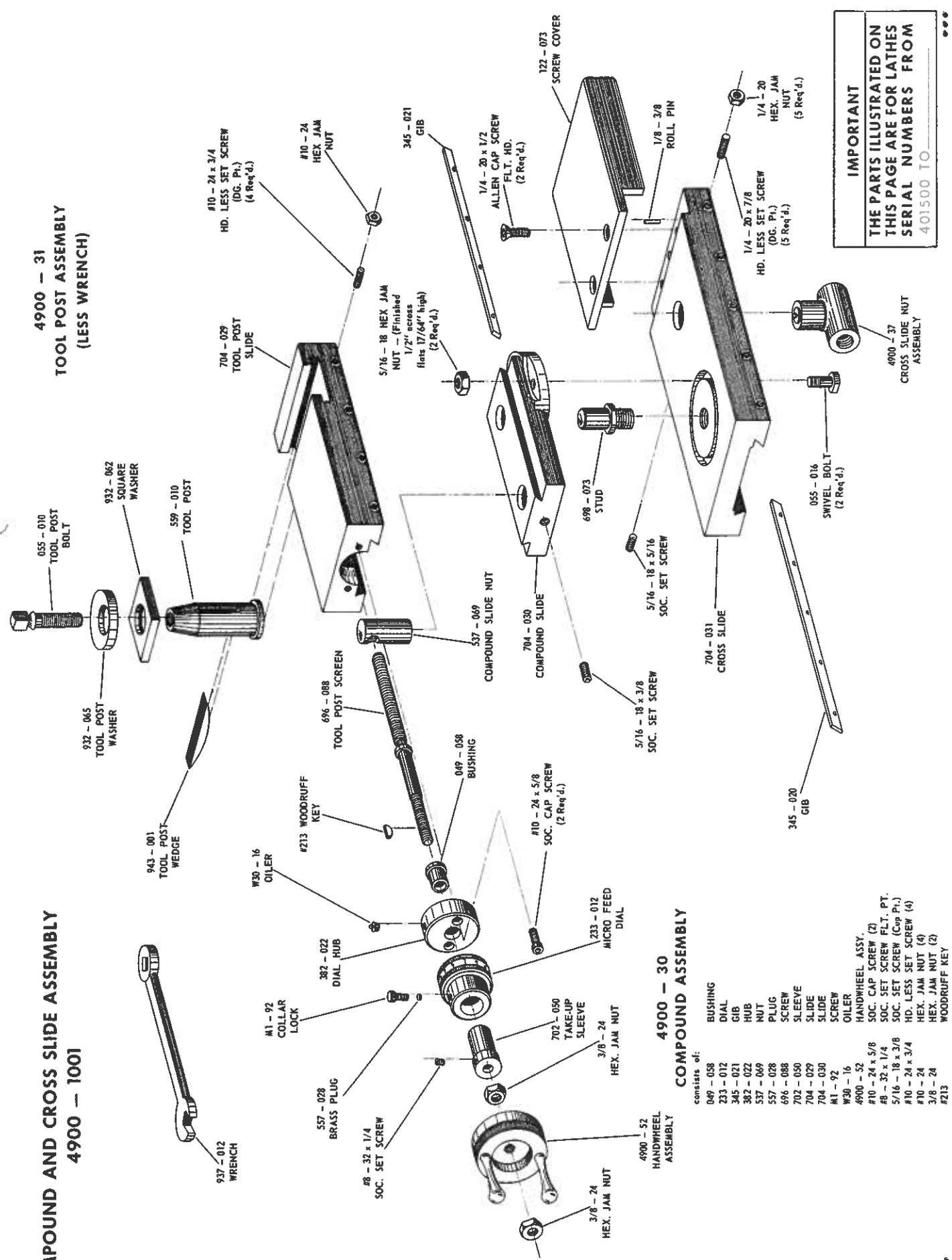


**IMPORTANT**  
 THE PARTS ILLUSTRATED ON THIS PAGE ARE FOR LATHES SERIAL NUMBERS FROM 401500

**NOTE: REFER TO STEP PULLEY DRIVE ASSEMBLY FOR LATHE SERIAL NUMBERS 400200 TO 401499.**

# COMPOUND AND CROSS SLIDE ASSEMBLY 4900 - 1001

# 4900 - 31 TOOL POST ASSEMBLY (LESS WRENCH)

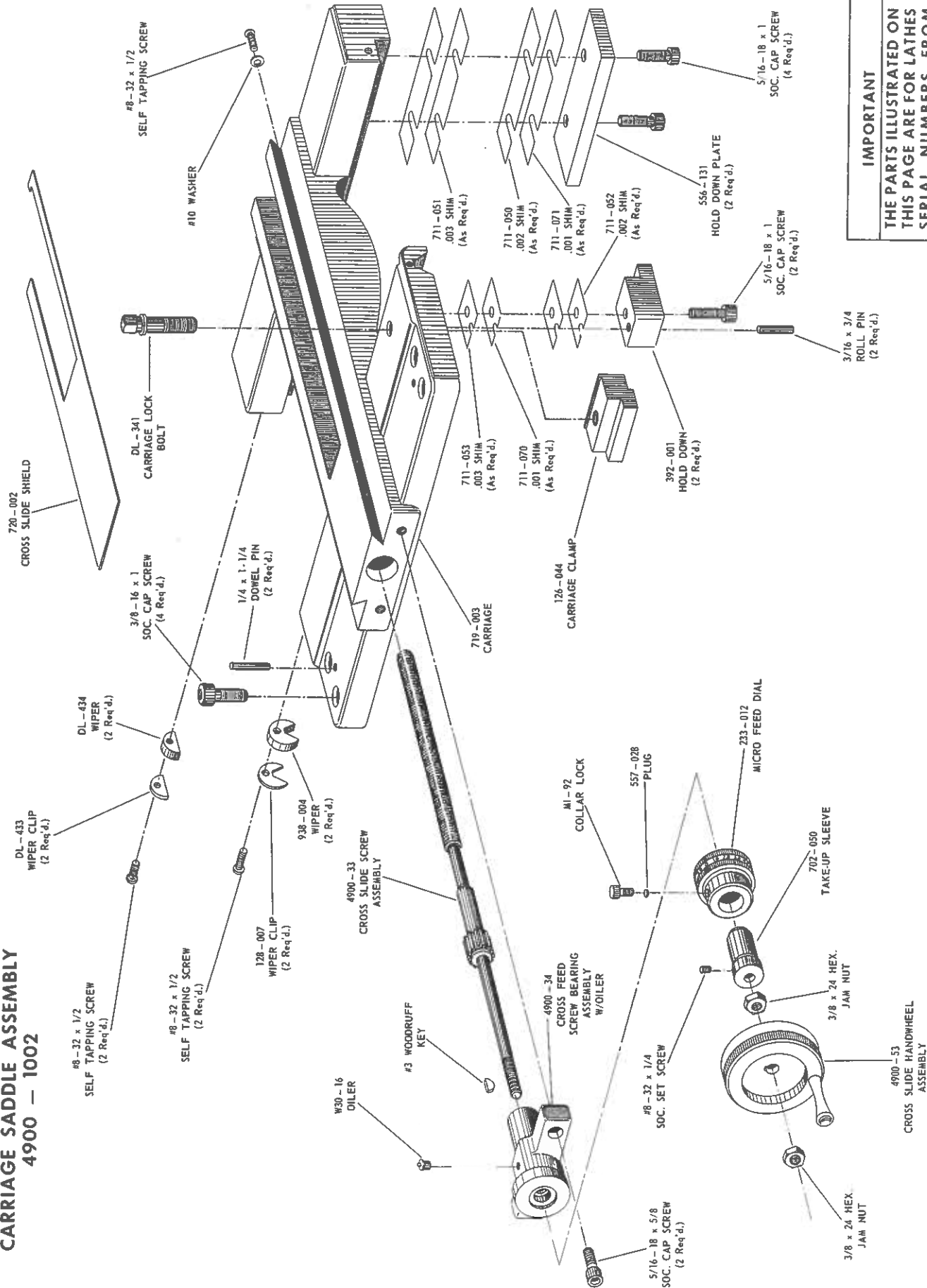


## 4900 - 30 COMPOUND ASSEMBLY

- consists of:
- 049 - 058 BUSHING
  - 233 - 012 DIAL
  - 345 - 021 GIB
  - 382 - 022 HUB
  - 537 - 049 NUT
  - 537 - 028 PLUG
  - 702 - 050 SLEEVE
  - 704 - 029 SLIDE
  - 704 - 030 SLIDE
  - M1 - 92 SCREW
  - W30 - 16 OILER
  - 4900 - 52 HANDWHEEL ASSY.
  - #10 - 24 x 5/8 SOC. CAP SCREW (2)
  - #8 - 32 x 1/4 SOC. SET SCREW FLT. PT.
  - 5/16 - 18 x 3/8 SOC. SET SCREW (Cup Pt.)
  - #10 - 24 x 3/4 HD. LESS SET SCREW (4)
  - #10 - 24 HEX. JAM NUT (4)
  - 3/8 - 24 HEX. JAM NUT (2)
  - #213 WOODRUFF KEY

**IMPORTANT**  
THE PARTS ILLUSTRATED ON THIS PAGE ARE FOR LATHES SERIAL NUMBERS FROM 401500 TO

# CARRIAGE SADDLE ASSEMBLY 4900 - 1002



**IMPORTANT**  
THE PARTS ILLUSTRATED ON  
THIS PAGE ARE FOR LATHES  
SERIAL NUMBERS FROM  
401500 TO

•••

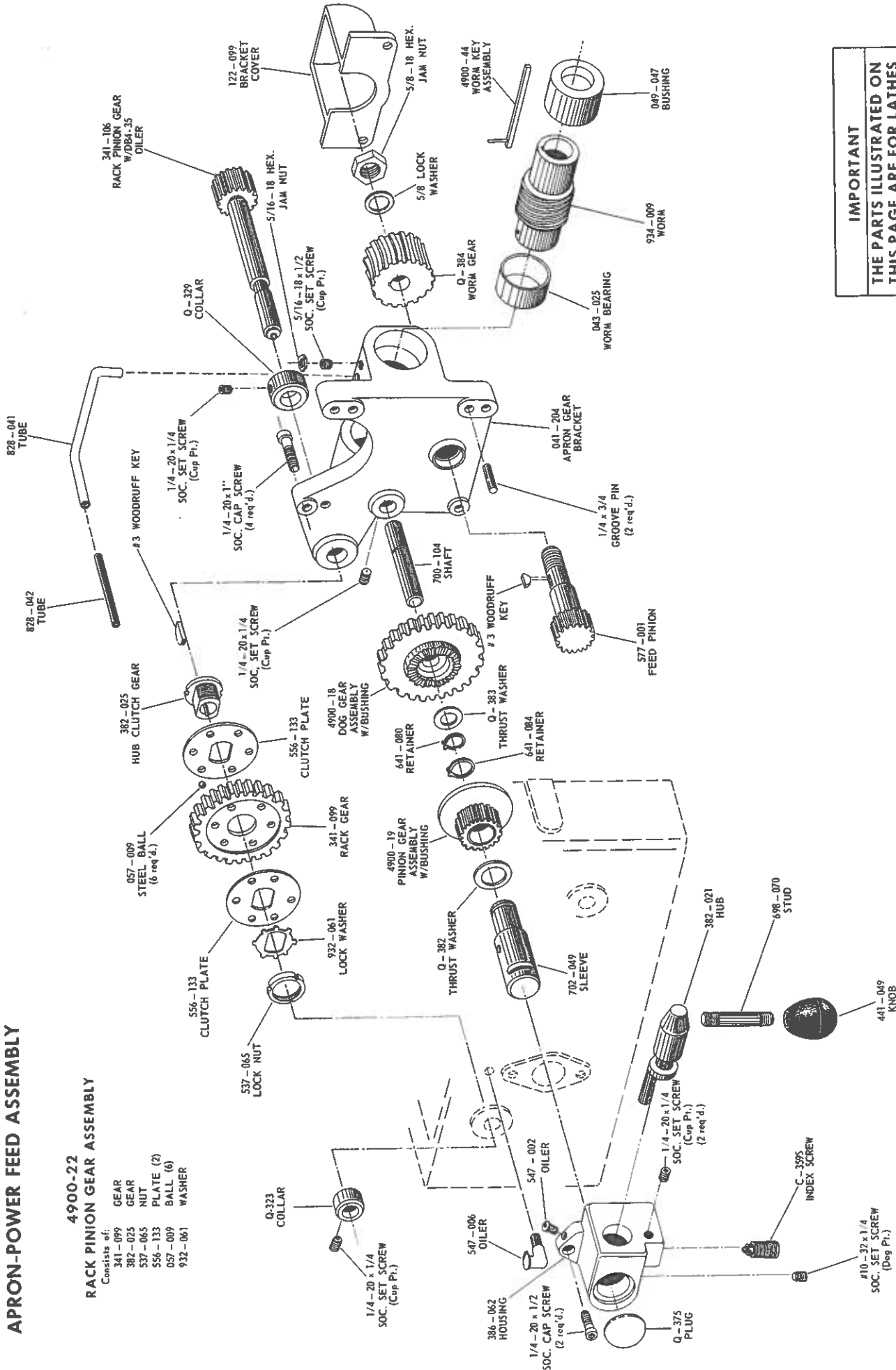
•••

# APRON-POWER FEED ASSEMBLY

## 4900-22 RACK PINION GEAR ASSEMBLY

Consists of:

- 341-099 GEAR
- 382-025 GEAR
- 537-065 NUT
- 556-133 PLATE (2)
- 057-009 BALL (6)
- 932-061 WASHER



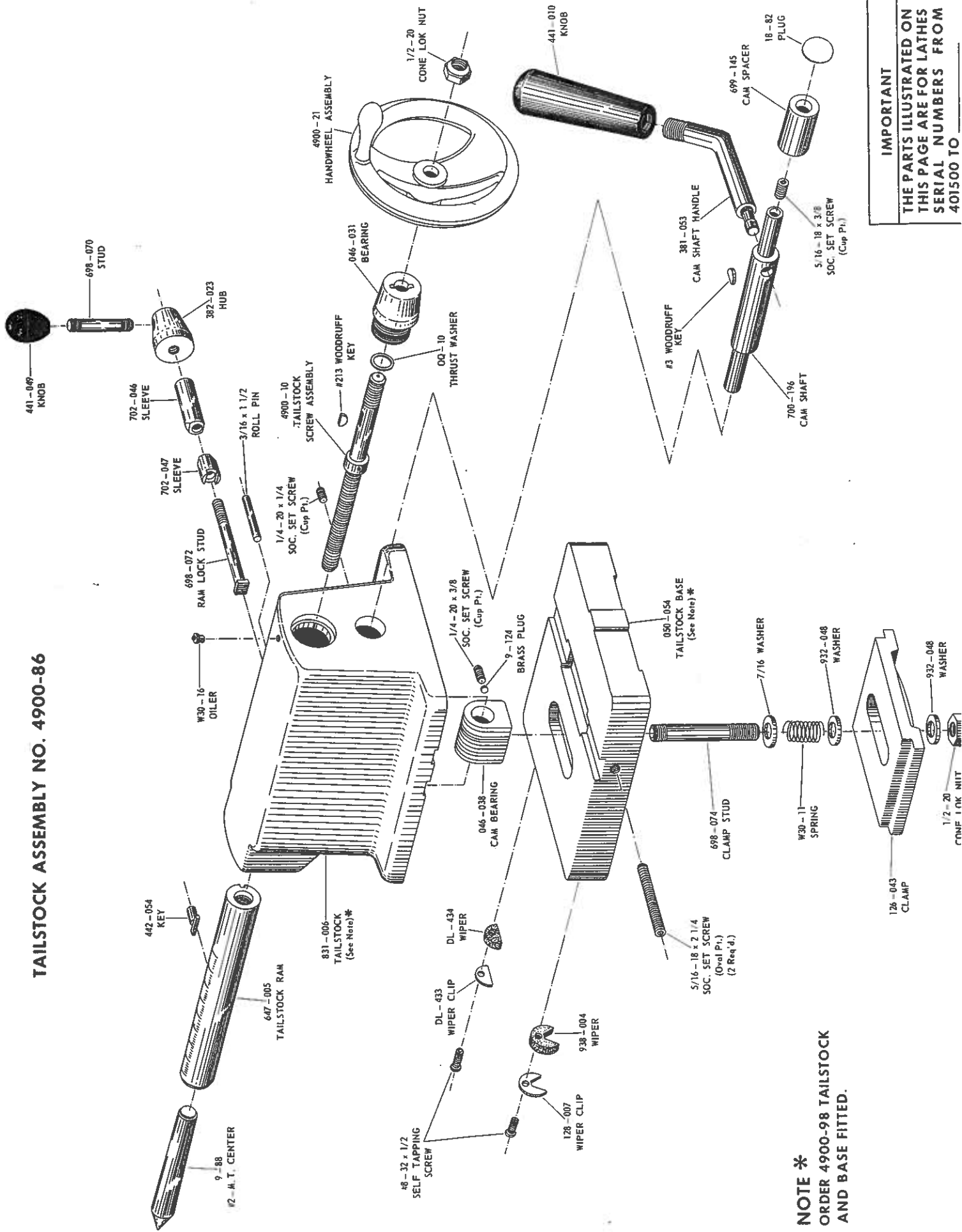
**IMPORTANT**  
THE PARTS ILLUSTRATED ON  
THIS PAGE ARE FOR LATHES  
SERIAL NUMBERS FROM  
403619 TO

...

...



# TAILSTOCK ASSEMBLY NO. 4900-86



**IMPORTANT**  
 THE PARTS ILLUSTRATED ON  
 THIS PAGE ARE FOR LATHES  
 SERIAL NUMBERS FROM  
 401500 TO

**NOTE \***  
 ORDER 4900-98 TAILSTOCK  
 AND BASE FITTED.