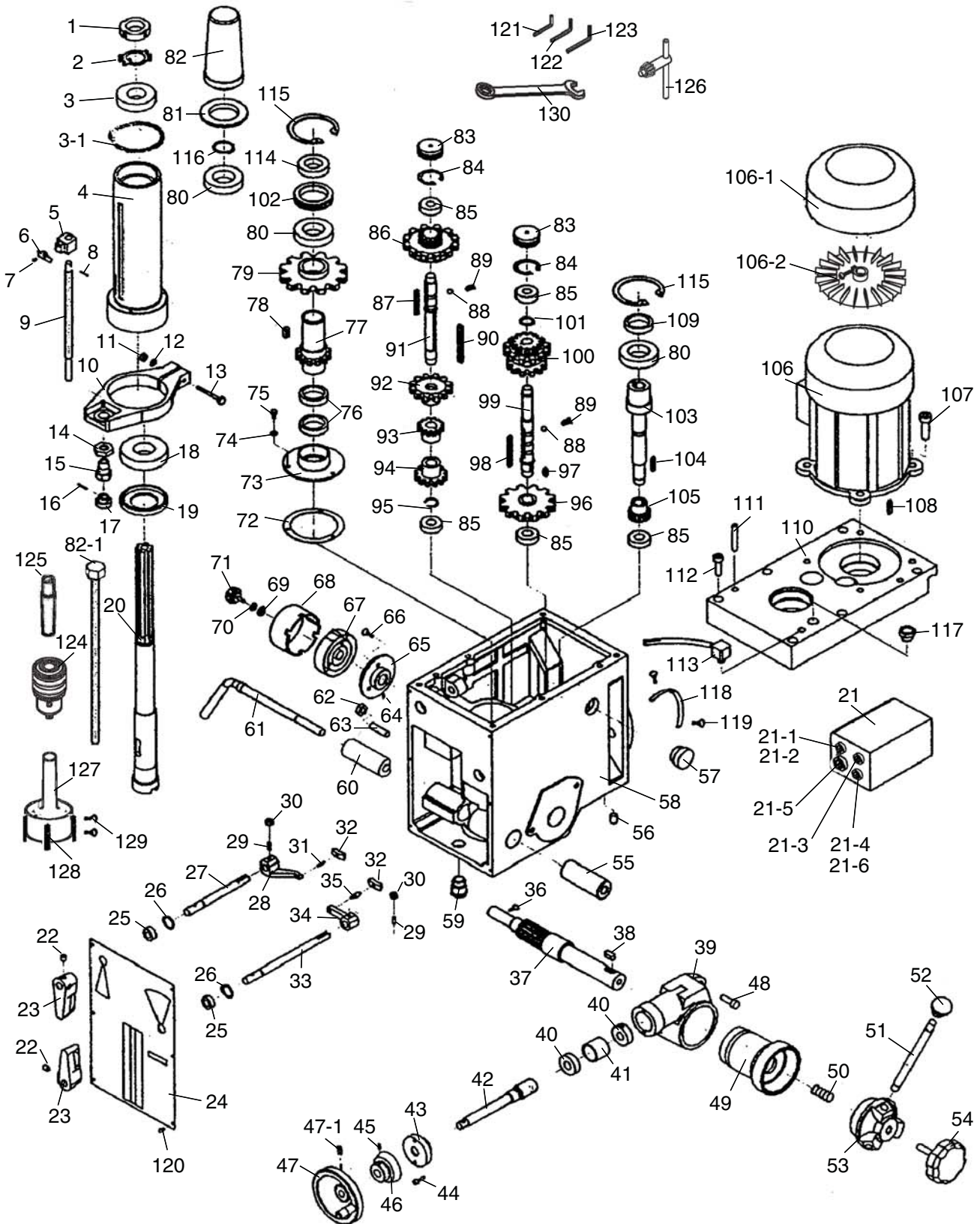


SECTION 9: PARTS

Headstock Parts Breakdown



REF	PART #	DESCRIPTION
1	P0519001	SPANNER NUT M30-1.5
2	P0519002	TANG WASHER 30
3	P0519003	TAPERED ROLLER BEARING 30206/P5
3-1	P0519003-1	RUBBER BUMPER
4	P0519004	QUILL
5	P0519005	SCALE BLOCK
6	P0519006	POINTER
7	PS17M	PHLP HD SCR M4-.7 x 6
8	P0519008	COTTER PIN 2 X 15MM
9	P0519009	STUD ROD
10	P0519010	BASE
11	PN01M	HEX NUT M6-1
12	PW03M	FLAT WASHER 6MM
13	PSB37M	CAP SCREW M6-1 X 50
14	PN13M	HEX NUT M16-2
15	P0519015	SUPPORT
16	PRP64M	ROLL PIN 3 X 18
17	PSW03-1	KNOB
18	P0519018	TAPERED ROLLER BEARING 32008/P5
19	P0519019	BEARING CUP
20	P0519020	SPINDLE
21	P0519021	COMPLETE ELECTRIC BOX ASSEMBLY
21-1	P0519021-1	COMPLETE TAP/MILL SWITCH
21-2	P0519021-2	TAP/MILL SWITCH KNOB
21-3	P0519021-3	REVERSE SWITCH
21-4	P0519021-4	POWER LIGHT LENS
21-5	P0519021-5	STOP SWITCH
21-6	P0519021-6	START SWITCH
22	PSS20M	SET SCREW M8-1.25 X 8
23	P0519023	SPEED LEVER
24	P0519024	HEADSTOCK PANEL PLATE
25	P0519025	OIL SEAL
26	PR03M	EXT RETAINING RING 12MM
27	P0519027	LEVER SHAFT (LEFT)
28	P0519028	LEVER (LEFT)
29	PSS04M	SET SCREW M6-1 X 12
30	PN01M	HEX NUT M6-1
31	PRP18M	ROLL PIN 4 X 12
32	P0519032	LEVER BRACKET
33	P0519033	LEVER SHAFT (RIGHT)
34	P0519034	LEVER (RIGHT)
35	P0519035	DOWEL PIN
36	PSB17M	CAP SCREW M4-.7 X 10
37	P0519037	PINION SHAFT
38	P0519038	KEY 8 X 7 X 32
39	P0519039	FEED COVER
40	P6202	BALL BEARING 6202ZZ
41	P0519041	SPACER
42	P0519042	WORM SHAFT
43	P0519043	WORM COVER
44	PB148M	HEX BOLT M5-.8 X 16
45	PSB33M	CAP SCREW M5-.8 X 12
46	P0519046	SCALE PLATE
47	P0519047	HANDWHEEL

REF	PART #	DESCRIPTION
47-1	PSB03M	CAP SCREW M5-.8 X 8
48	PB07M	HEX BOLT M8-1.25 X 25
49	P0519049	WORM GEAR
50	P0519050	COMPRESSION SPRING
51	P0519051	HANDLE ROD
52	P0519052	HANDLE BALL
53	P0519053	HANDLE BODY
54	PSW03-1	KNOB
55	P0519055	FIXED COLLAR
56	P0519056	OIL PLUG
57	P0519057	SIGHT GLASS
58	P0519058	HEADSTOCK CASTING
59	P0519059	FIXED NUT M20-1.5
60	P0519060	FIXED COLLAR
61	P0519061	HANDLE
62	PN02M	HEX NUT M10-1.5
63	PB14M	SPECIAL SET SCREW M10-1.5 X 35
64	PRP44M	ROLL PIN 3 X 10
65	P0519065	SPRING BASE
66	PSB33M	CAP SCREW M5-.8 X 12
67	P0519067	COIL SPRING
68	P0519068	SPRING CAP
69	PW03M	FLAT WASHER 6MM
70	PLW03M	FENDER WASHER 9MM
71	PSW03-1	KNOB
72	P0519072	GASKET
73	P0519073	FLANGE
74	PLW01M	LOCK WASHER 5MM
75	PSB03M	CAP SCREW M5-.8 X 8
76	P0519076	OIL SEAL
77	P0519077	GEAR T-25
78	PK147M	KEY 6 X 6 X 18
79	P0519079	GEAR T-53
80	P51103	THRUST BEARING 51103
81	P0519081	COVER BASE
82	P0519082	COVER
82-1	P0519082-1	DRAWBAR 7/16-20 X 15-3/4
83	P0519083	CAP
84	PR21M	INT RETAINING RING 35MM
85	P6003	BALL BEARING 6003ZZ
86	P0519086	COMBO GEAR T-16/T-43
87	PK36M	KEY 5 X 5 X 50
88	P0519088	STEEL BALL
89	P0519089	COMPRESSION SPRING
90	P0519090	KEY 6 X 6 X 75
91	P0519091	SHAFT III
92	P0519092	GEAR 32
93	P0519093	GEAR 18
94	P0519094	GEAR 25
95	PR09M	EXT RETAINING RING 20MM
96	P0519096	GEAR T-41
97	PK101M	KEY 6 X 6 X 14
98	P0519098	KEY 5 X 5 X 60
99	P0519099	SHAFT II

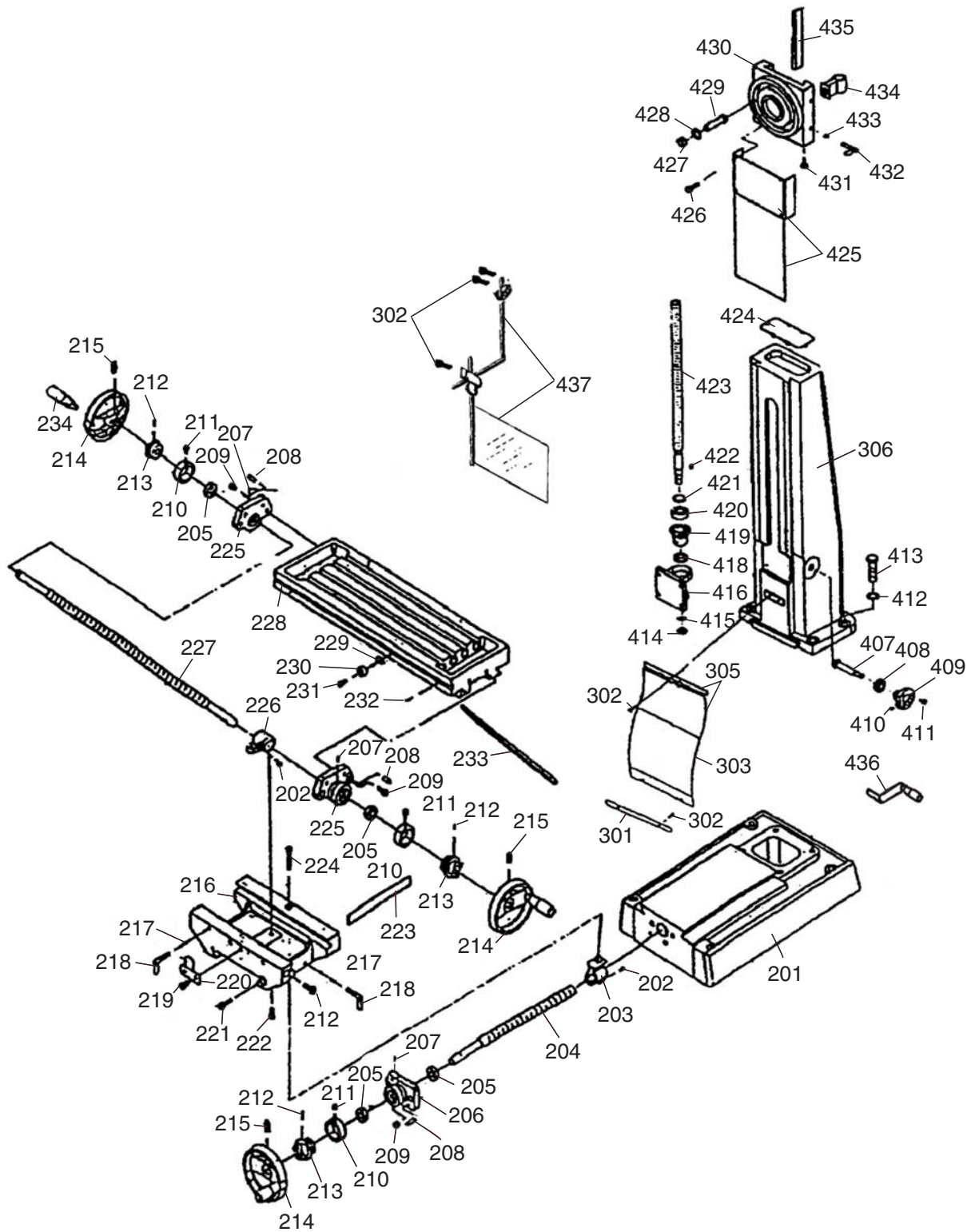


REF	PART #	DESCRIPTION
100	P0519100	CLUSTER GEAR
101	PR07M	EXT RETAINING RING 18MM
102	P0519102	SPACER RING
103	P0519103	DRIVE SHAFT I
104	PK42M	KEY 6 X 6 X 30
105	P0519105	GEAR T-14
106	P0519106	MOTOR 1HP, 220V, 3-PH
106-1	P0519106-1	MOTOR FAN COVER
106-2	P0519106-2	MOTOR FAN
107	PB32M	HEX BOLT M10-1.5 x 25
108	PK74M	KEY 6 X 6 X 35
109	P0519109	OIL SEAL
110	P0519110	COVER
111	PRP80M	ROLL PIN 10 X 50
112	PSB05M	CAP SCREW M8-1.25 X 50
113	P0519113	BREATHER ASSEMBLY
114	P0519114	OIL SEAL

REF	PART #	DESCRIPTION
115	PR38M	INT RETAINING RING 62MM
116	PR21M	INT RETAINING RING 35MM
117	P0519117	OIL CAP
118	P0519118	DEGREE SCALE
119	PSB03M	CAP SCREW M5-.8 X 8
120	PS17M	PHLP HD SCR M4-.7 x 6
121	PAW06M	HEX WRENCH 6MM
122	PAW05M	HEX WRENCH 5MM
123	PAW04M	HEX WRENCH 4MM
124	P0519124	DRILL CHUCK 1-16MM, JT3
125	P0519125	JT3 X R8 ARBOR
126	P0519126	CHUCK KEY
127	P0519127	FOUR-BIT FLY CUTTER W/BITS
128	P0519128	CARBIDE-TIPPED CUTTER BIT
129	PSB28M	CAP SCREW M6-1 X 15
130	P0519130	COMBO WRENCH 24MM



Base and Column Parts Breakdown

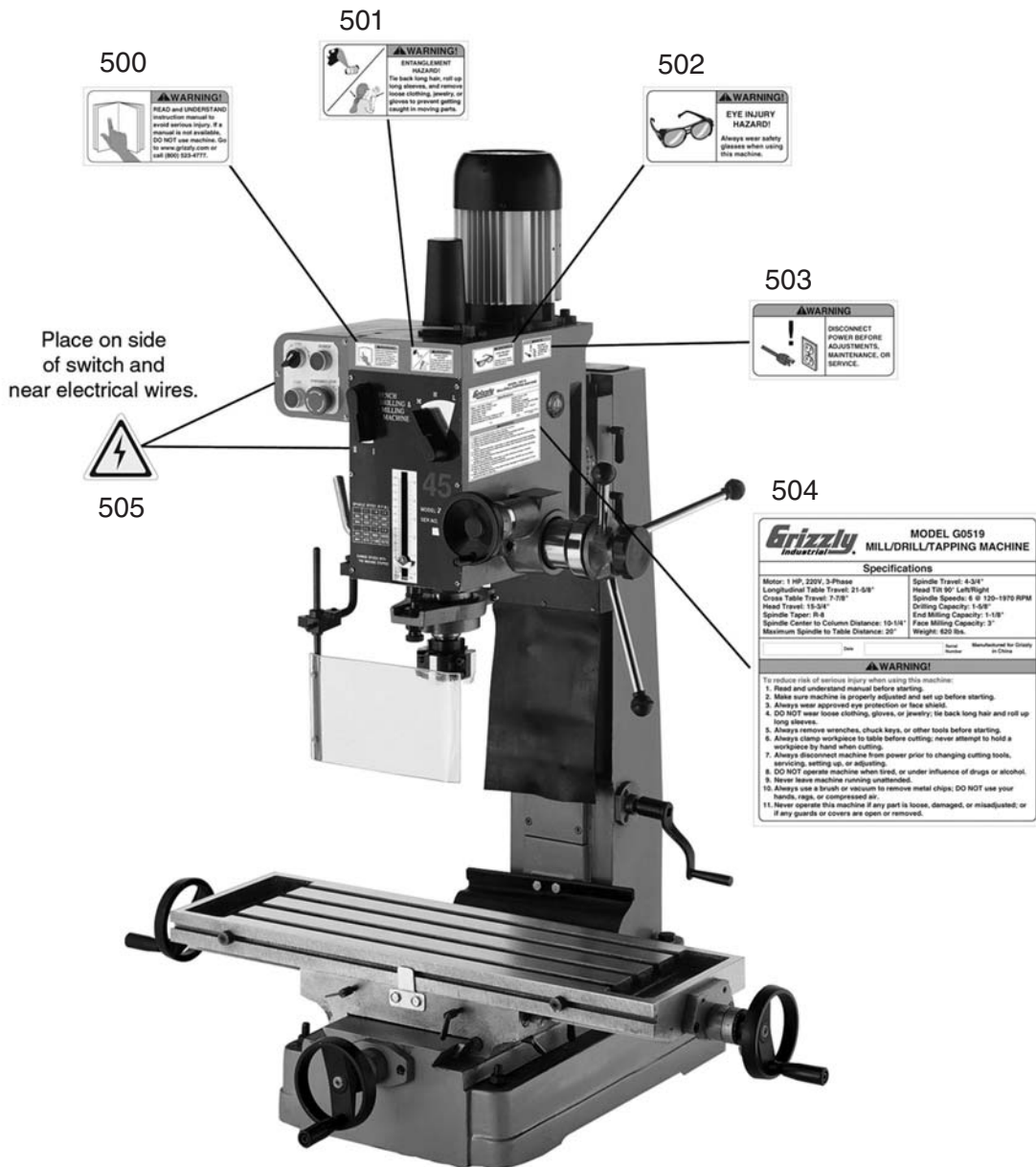


REF	PART #	DESCRIPTION
201	P0519201	BASE
202	PB107M	HEX BOLT M5-.8 X 12
203	P0519203	HALF NUT
204	P0519204	LEAD SCREW
205	P51103	THRUST BEARING 51103
206	P0519206	LEAD SCREW SUPPORT
207	P0519207	BALL OILER
208	P0519208	TAPER PIN 5 X 50
209	PB09M	HEX BOLT M8-1.25 X 20
210	P0519210	SCALE PLATE
211	P0519211	KNURLED KNOB
212	PRP30M	ROLL PIN 5 X 50
213	P0519213	CLUTCH
214	P0519214	HANDWHEEL
215	PSB68M	CAP SCREW M6-1 X 8
216	P0519216	SADDLE
217	P0519217	STEEL BALL
218	P0519218	LOCKING LEAF SCREW
219	PSB58M	CAP SCREW M8-1.25 x 12
220	P0519220	STOP BRACKET
221	P0519221	GIB SCREW M8 X 35
222	PSB31M	CAP SCREW M8-1.25 X 25
223	P0519223	GIB
224	PB166M	HEX BOLT M8-1.25 X 50
225	P0519225	LEAD SCREW SUPPORT
226	P0519226	HALF NUT
227	P0519227	X-AXIS LEAD SCREW
228	P0519228	TABLE
229	P0519229	T-NUT M6-1
230	P0519230	STOP BOSS
231	PB02M	HEX BOLT M6-1 X 12
232	P0519207	BALL OILER
233	P0519233	GIB
234	P0519234	HAND CRANK
301	P0519401	BACKING PLATE

REF	PART #	DESCRIPTION
302	PB06M	HEX BOLT M8-1.25 X 12
303	P0519403	RUBBER SHEET
305	P0519405	PROTECTION PLATE
306	P0519406	COLUMN
407	P0519407	GEAR SHAFT
408	P51102	THRUST BEARING 51102
409	P0519409	PINION HUB
410	P0519207	BALL OILER
411	PB83M	HEX BOLT M6-1 X 16
412	PW08M	FLAT WASHER 16MM
413	PB80M	HEX BOLT M16-2 X 55
414	P0519414	SPANNER NUT M16
415	P0519415	TAB WASHER
416	P0519416	LIFT HOUSING
418	P51103	THRUST BEARING 51103
419	P0519419	GEAR T-24
420	P6204	BALL BEARING 6204ZZ
421	PR09M	EXT RETAINING RING 20MM
422	PK147M	KEY 6 X 6 X 18
423	P0519423	GUIDE SCREW
424	P0519424	COLUMN NUT
425	P0519425	DUST COVER
426	PSB17M	CAP SCREW M4-.7 X 10
427	PN13M	HEX NUT M16-2
428	PLW10M	LOCK WASHER 16MM
429	PB80M	HEX BOLT M16-2 X 55
430	P0519430	HEADSTOCK SADDLE
431	PSB02M	CAP SCREW M6-1 X 20
432	P0519432	LOCK HANDLE
433	P0519433	STEEL BALL
434	P0519434	COLUMN NUT
435	P0519435	GIB
436	P0519436	HAND CRANK
437	P0519437	SHIELD ASSEMBLY



Labels Breakdown & List



REF	PART #	DESCRIPTION
500	PLABEL-12B	READ MANUAL LABEL
501	PLABEL-55B	ENTANGLEMENT HAZARD LABEL
502	PLABEL-11C	SAFETY GLASSES LABEL

REF	PART #	DESCRIPTION
503	PLABEL-62B	DISCONNECT 110V LABEL
504	P0519504	MACHINE DATA LABEL
505	PLABEL-14	ELECTRICITY LABEL

WARNING

Safety labels warn about machine hazards and ways to prevent injury. The owner of this machine **MUST** maintain the original location and readability of the labels on the machine. If any label is removed or becomes unreadable, **REPLACE** that label before using the machine again. Contact Grizzly at (800) 523-4777 or www.grizzly.com to order new labels.

