

5 Port Solenoid Valve Series SY

SV

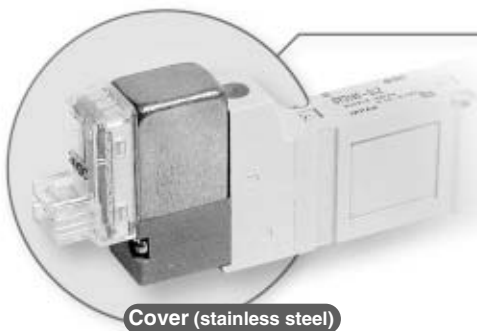
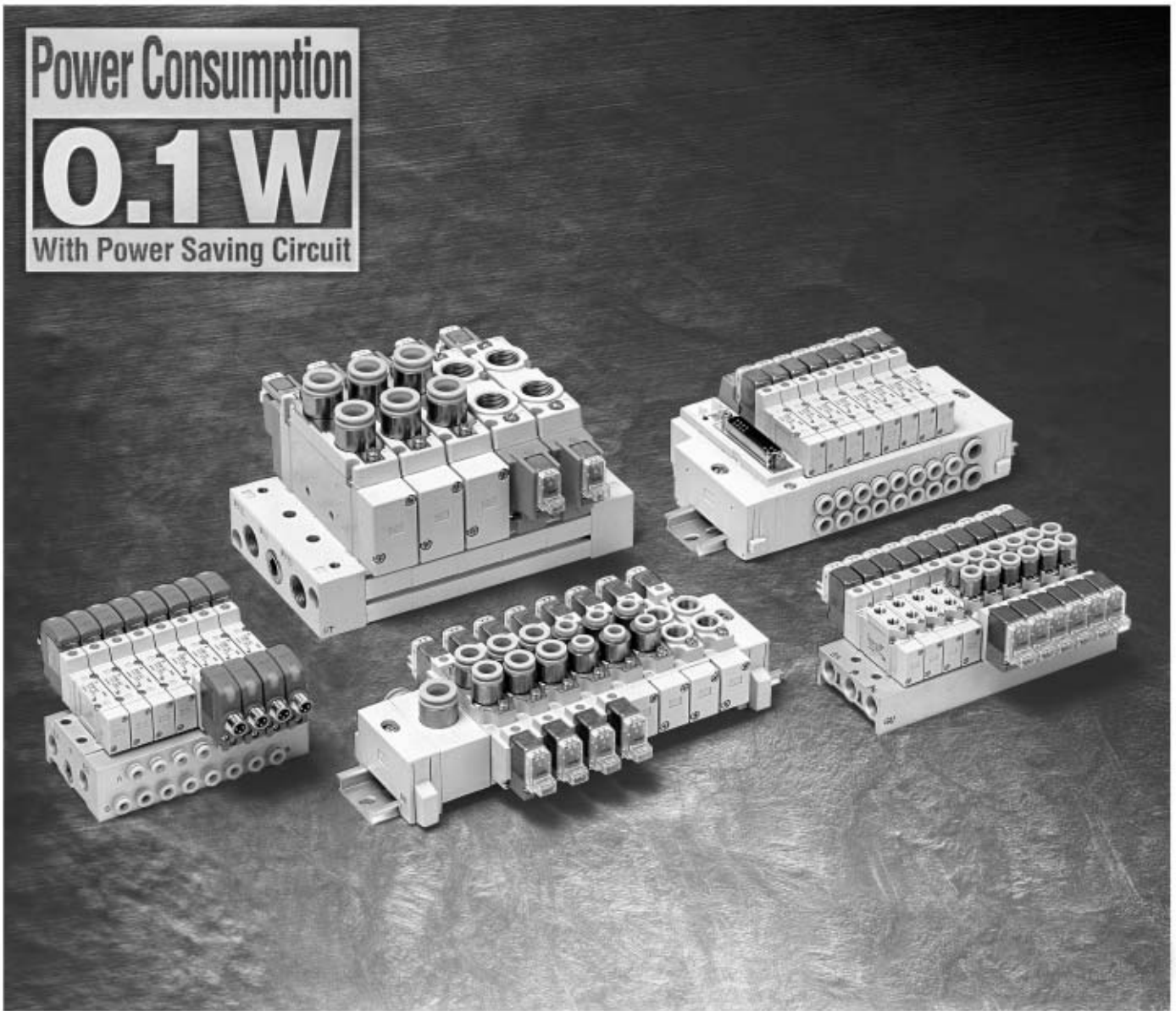
SZ

SY

SYJ

SX

Power Consumption
0.1W
With Power Saving Circuit



Improved pilot valve

Pilot valve cover is stronger using stainless steel.
Mounting thread is also reinforced from size M1.7 to M2.

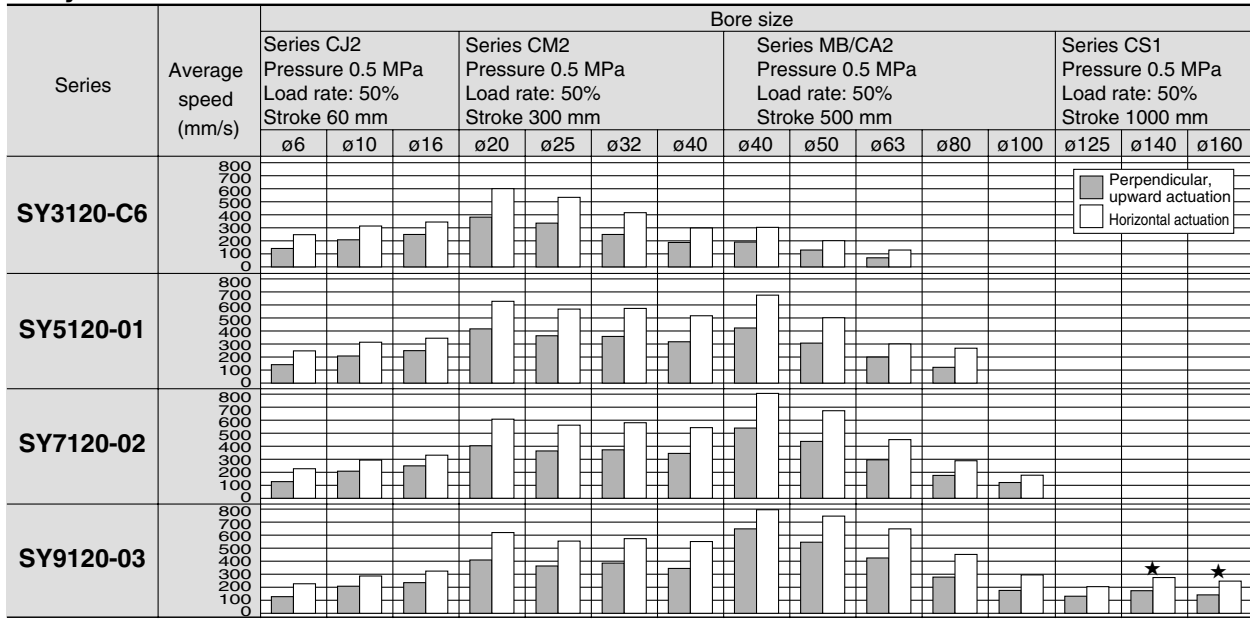
Flow Characteristics

Series	Flow characteristics		
	C [dm ³ /(s·bar)]	b	Cv
SY3000	1.1	0.28	0.29
SY5000	2.8	0.37	0.90
SY7000	4.5	0.28	1.4
SY9000	10	0.29	2.5

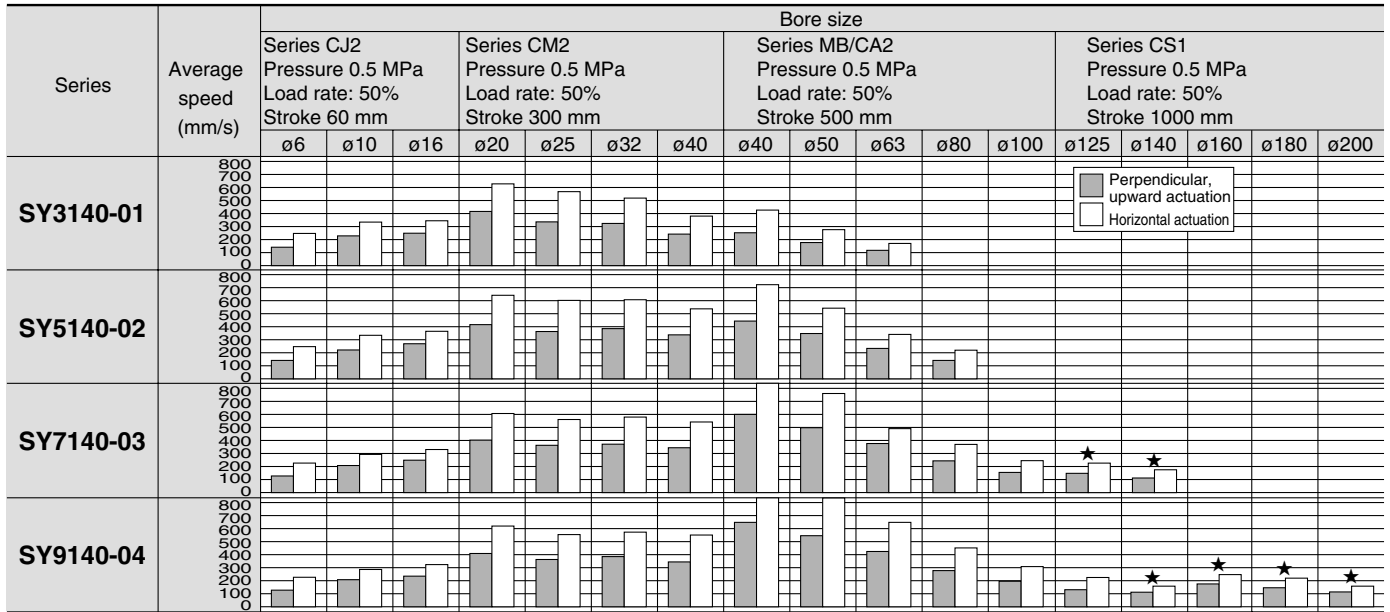
Cylinder Speed Chart

Use as a guide for selection.
Please confirm the actual conditions with SMC Sizing Program.

Body Ported



Base Mounted



* Cylinder is in extending. Speed controller is meter-out, which is directly connected with cylinder and its needle is fully opened.
* Average speed of cylinder is obtained by dividing the full stroke time by the stroke.
* Load factor: (Load weight x 9.8) / Theoretical force x 100%
* The histograms with ★ marked are the case when piping is done by using steel.

Conditions

Body ported		Series CJ2	Series CM2	Series MB/CA2	Series CS1
SY3120-C6	Tubing bore x Length	T0604 x 1 m			—
	Speed controller	AS2051F-06			—
	Silencer	AN120-M5			—
SY5120-01	Tubing bore x Length	T0604 x 1 m	T0806 x 1 m		—
	Speed controller	AS3001F-06	AS3001F-08		—
	Silencer	AN101-01			—
SY7120-02	Tubing bore x Length	T0604 x 1 m	T1075 x 1 m		—
	Speed controller	AS3001F-06	AS4001F-10		—
	Silencer	AN110-01			—
SY9120-03	Tubing bore x Length	T0604 x 1 m	T1075 x 1 m	T1209 x 1 m	
	Speed controller	AS3001F-06	AS4001F-10	AS4001F-12	
	Silencer	AN200-02		AN202-02	

Conditions [When using SGP (steel pipe)]

Body ported		Series CS1
SY9120-03	Tubing bore x Length	SGP10A x 1 m
	Speed controller	AS420-03
	Silencer	AN200-02

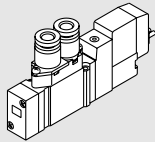
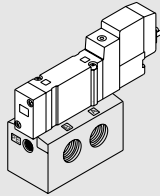
Conditions

Base mounted		Series CJ2	Series CM2	Series MB/CA2	Series CS1
SY3140-01	Tubing bore x Length	T0604 x 1 m			—
	Speed controller	AS3001F-06			—
	Silencer	AN110-01			—
SY5140-02	Tubing bore x Length	T0604 x 1 m	T0806 x 1 m		—
	Speed controller	AS3001F-06	AS3001F-08		—
	Silencer	AN101-01			—
SY7140-03	Tubing bore x Length	T0604 x 1 m	T1075 x 1 m	T1209 x 1 m	
	Speed controller	AS3001F-06	AS4001F-10		—
	Silencer	AN200-02			—
SY9140-04	Tubing bore x Length	T0604 x 1 m	T1075 x 1 m	T1209 x 1 m	
	Speed controller	AS3001F-06	AS4001F-10	AS4001F-12	
	Silencer	AN200-02		AN202-02	

Conditions [When using SGP (steel pipe)]

Base mounted		Series CS1
SY7140-03	Tubing bore x Length	SGP10A x 1 m
	Speed controller	AS420-03
	Silencer	AN300-03
SY9140-04	Tubing bore x Length	SGP15A x 1 m
	Speed controller	AS420-04
	Silencer	AN400-04

Series Variations

	Series	Sonic conductance C [dm ³ /(s·bar)] $\left\{ \begin{matrix} 4/2 \rightarrow 5/3 \\ (A/B \rightarrow EA/EB) \end{matrix} \right\}$	Type of actuation					Voltage		Electrical entry					Note 1) Light/Surge voltage suppressor	
			2 position		3 position			DC 24 V 12 V 6 V 5 V 3 V	AC 100 V 50/60 Hz 110 V 50/60 Hz 200 V 50/60 Hz 220 V 50/60 Hz	Grommet	L plug connector	M plug connector	DIN terminal	M8 Connector		
			Single	Double	Closed center	Exhaust center	Pressure center									
Body Ported	P. 1-4-6 	SY3 □ 20	0.65	●	●	●	●	●	●	●	●	●	—	●	●	
		SY5 □ 20	2.4	●	●	●	●	●	●	●	●	●	●	●	●	●
		SY7 □ 20	3.3	●	●	●	●	●	●	●	●	●	●	●	●	●
		SY9 □ 20	8.6	●	●	●	●	●	●	●	●	●	●	●	●	●
Base Mounted	P. 1-4-24 	SY3 □ 40	1.1	●	●	●	●	●	●	●	●	●	—	●	●	
		SY5 □ 40	2.8	●	●	●	●	●	●	●	●	●	●	●	●	●
		SY7 □ 40	4.5	●	●	●	●	●	●	●	●	●	●	●	●	●
		SY9 □ 40	10	●	●	●	●	●	●	●	●	●	●	●	●	●

SV

SZ

SY

SYJ

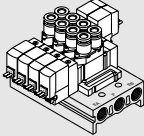
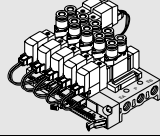
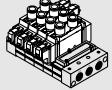

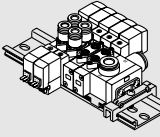
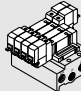
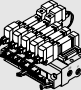
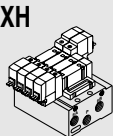
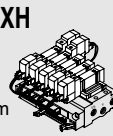
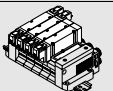

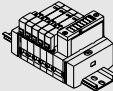
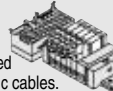
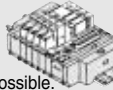
SX

Series	Manual override				P, EA, EB port size					A, B port size								Valve option											
	Non-locking push type	Push-turn locking slotted type	Push-turn locking lever type	Bracket	M5	1/8	1/4	3/8	1/2	M5	1/8	1/4	3/8	1/2	One-touch fitting								Exhaust throttle	Oil resistant Other than designated turbine oil.	Vacuum specifications	Low pressure specifications	External pilot	Enclosure IP65	Interface regulator
															C4	C6	C8	C10	C12	N3	N7	N9							
Body Ported	SY3 □ 20	●	●	●	●	●	—	—	—	—	●	—	—	—	—	●	●	—	—	—	—	—	—	—	—	—	—	—	
	SY5 □ 20	●	●	●	●	—	●	—	—	—	—	●	—	—	—	—	●	●	—	—	—	—	—	—	—	—	—		
	SY7 □ 20	●	●	●	●	—	●	●	—	—	—	—	●	—	—	—	—	●	●	—	—	—	—	—	—	—	—		
	SY9 □ 20	●	●	●	—	—	—	●	—	—	—	—	●	●	—	—	—	●	●	—	—	—	—	—	—	—	—		
Base Mounted	SY3 □ 40	●	●	●	—	—	●	—	—	—	—	●	—	—	—	—	—	—	—	—	—	—	—	—	—	—	●		
	SY5 □ 40	●	●	●	—	—	—	●	—	—	—	—	●	—	—	—	—	—	—	—	—	—	—	—	—	●			
	SY7 □ 40	●	●	●	—	—	—	●	●	—	—	—	●	●	—	—	—	—	—	—	—	—	—	—	—	●			
	SY9 □ 40	●	●	●	—	—	—	●	●	—	—	—	●	●	—	—	—	—	—	—	—	—	—	—	—	●			



Note 1) All AC voltage models have built-in surge voltage suppressor.
 Note 2) Body ported external pilot style (made to order) is not available for DIN terminal.
 Note 3) Only available for DIN terminal and M8 connector.

Manifold Variations

Manifold variations		Valve series	Wiring												
			Connection							Common specifications					
			Individual wiring	Flat ribbon cable (26 pins)	Flat ribbon cable (20 pins) connector box	Plug-in type D-sub connector (25 pins)	Plug-in type flat ribbon cable (26, 20, 10 pins)	Plug-in type terminal block (9, 18 pins)	PC wiring system	Serial transmission unit	Positive common	Negative common			
Body Ported	Bar stock type Individual wiring ■ Direct piping to the main unit of a valve. Combination of different fittings is possible.		Type 20 P.1-4-42	SY3 □ 20	●	—	—	—	—	—	—	—	—	—	
				SY5 □ 20	—	●	—	—	—	—	—	—	—	—	
				SY7 □ 20	—	—	—	—	—	—	—	—	—	—	
	Bar stock type Flat ribbon cable ■ A 26 pins MIL connector permits One-touch wiring of external cables in a bundle.		Type 20P P.1-4-52	SY3 □ 20	—	●	—	—	—	—	—	—	●	—	
				SY5 □ 20	—	—	—	—	—	—	—	—	—	—	—
				SY7 □ 20	—	—	—	—	—	—	—	—	—	—	—
	Stacking type Individual wiring ■ Manifold stations can be increased.		Type 23 P.1-4-43	SY9 □ 20	●	—	—	—	—	—	—	—	—	—	
				SY7 □ 20	—	—	—	—	—	—	—	—	—	—	—
	Stacking type Flat ribbon cable ■ Manifold stations can be increased.		Type 23P P.1-4-58	SY9 □ 20	—	●	—	—	—	—	—	—	●	—	
				SY7 □ 20	—	—	—	—	—	—	—	—	—	—	—
	Cassette type Individual wiring ■ Size and weight reduced by eliminating the manifold base		Type 60 P.1-4-64	SY3 □ 60	●	—	—	—	—	—	—	—	—	—	
				SY5 □ 60	●	—	—	—	—	—	—	—	—	—	
				SY7 □ 60	●	—	—	—	—	—	—	—	—	—	
	Base Mounted	Compact bar stock type Individual wiring ■ The base mounting facilitates maintenance after valves are changed.		Type 41 P.1-4-74	SY3 □ 40	●	—	—	—	—	—	—	—	—	
					SY5 □ 40	—	—	—	—	—	—	—	—	—	—
Compact bar stock type Flat ribbon cable ■ A 26 pins MIL connector permits one-touch wiring of external cables in a bundle.			Type 41P P.1-4-100	SY3 □ 40	—	●	—	—	—	—	—	—	●		
				SY5 □ 40	—	—	—	—	—	—	—	—	—	—	—
Bar stock type/Common external EXH Individual wiring ■ The base mounting facilitates maintenance after valves are changed. ■ Vacuum/low pressure combination system is possible.			Type 42 P.1-4-74	SY3 □ 40	●	—	—	—	—	—	—	—	—		
				SY5 □ 40	—	—	—	—	—	—	—	—	—	—	
				SY7 □ 40	—	—	—	—	—	—	—	—	—	—	
Bar stock type/Common external EXH Flat ribbon cable ■ A 26 pins MIL connector permits one-touch wiring of external cables in a bundle. ■ Vacuum/low pressure combination system is possible.			Type 42P P.1-4-100	SY3 □ 40	—	●	—	—	—	—	—	—	●		
				SY5 □ 40	—	—	—	—	—	—	—	—	—	—	
				SY7 □ 40	—	—	—	—	—	—	—	—	—	—	
Stacking type Individual wiring ■ Manifold stations can be increased.			Type 43 P.1-4-94	SY9 □ 40	●	—	—	—	—	—	—	—	—		
				SY7 □ 40	—	—	—	—	—	—	—	—	—	—	
Stacking type Flat ribbon cable ■ Manifold stations can be increased.			Type 43P P.1-4-108	SY9 □ 40	—	●	—	—	—	—	—	—	●		
				SY7 □ 40	—	—	—	—	—	—	—	—	—	—	
Stacking type/DIN rail mounted Individual wiring ■ Stations can be increased on the DIN rail. Integral mounting of other electric parts is possible, too.			Type 45 P.1-4-120	SY3 □ 40	●	—	—	—	—	—	—	—	—		
	SY5 □ 40			—	—	—	—	—	—	—	—	—	—		
Stacking type/DIN rail mounted Connector box ■ Stations can be increased on the DIN rail. The provided connector box permits one-touch connection of electric cables.		Type 45-A NA P.1-4-132	SY3 □ 40	—	—	●	—	—	●	—	●	●			
			SY5 □ 40	—	—	—	—	—	—	—	—	—	—		
Stacking type/DIN rail mounted Plug-in ■ Stations can be increased on the DIN rail. ■ A variety of centralized wiring methods are possible.		Type 45 P.1-4-140	SY3 □ 40	—	—	—	●	●	●	●	●	●			
			SY5 □ 40	—	—	—	—	—	—	—	—	—	—		

● Standard ● Option ▲ Made-to-order (Refer to page "Made to Order".)



Series SY3000/5000/7000/9000 Body Ported Valve Single Unit

How to Order

SY 5 1 20 — **5 L** — **01**

Series

3	SY3000
5	SY5000
7	SY7000
9	SY9000

Type of actuation

1	2 position single (A)(B) (EA)(P)(EB)
2	2 position double (A)(B) (EA)(P)(EB)
3	3 position closed center (A)(B) (EA)(P)(EB)
4	3 position exhaust center (A)(B) (EA)(P)(EB)
5	3 position pressure center (A)(B) (EA)(P)(EB)

Coil specifications

Nil	Standard
T	With power saving circuit (24, 12 VDC only)

* Power saving circuit is not available in the case of "D", "DO" or "W□" type.

Rated voltage

DC

5	24 VDC
6	12 VDC
V	6 VDC
S	5 VDC
R	3 VDC

AC (50/60Hz)

1	100 VAC
2	200 VAC
3	110 VAC [115 VAC]
4	220 VAC [230 VAC]

* DC specifications of type "D" and "DO" is only available with 12 and 24 VDC.
* For type "W□", DC voltage is only available.

Electrical entry

24, 12, 6, 5, 3 VDC/100, 110, 200, 220 VAC				24, 12 VDC/ 100, 110, 200, 220 VAC
Grommet	L plug connector	M plug connector	MN: Without lead wire	DIN terminal
G: Lead wire length 300 mm	L: With lead wire (Length 300 mm)	M: With lead wire (Length 300 mm)	MN: Without lead wire	
H: Lead wire length 600 mm	LN: Without lead wire	LO: Without connector	MO: Without connector	DO: Without connector

24, 12, 6, 5, 3 VDC

M8 connector

WO: Without connector cable

* "LN", "MN" type: with 2 sockets.
* For DIN terminal of SY3000 series, refer to page 1-4-207.
* DIN terminal type "Y" conforming to DIN 43650C is available, too. For details, refer to page 1-4-201.
* For connector cable of M8 connector, refer to page 1-4-209.

A, B port size

Thread piping

Symbol	Port size	Applicable series
M5	M5 x 0.8	SY3000
01	1/8	SY5000
02	1/4	SY7000
02	1/4	SY9000
03	3/8	

One-touch fitting (Metric size)

Symbol	Port size	Applicable series
C4	One-touch fitting for ø4	SY3000
C6	One-touch fitting for ø6	
C4	One-touch fitting for ø4	SY5000
C6	One-touch fitting for ø6	
C8	One-touch fitting for ø8	SY7000
C10	One-touch fitting for ø10	
C8	One-touch fitting for ø8	SY9000
C10	One-touch fitting for ø10	
C12	One-touch fitting for ø12	

One-touch fitting (Inch size)

Symbol	Port size	Applicable series
N3	One-touch fitting for ø 5/32"	SY3000
N7	One-touch fitting for ø 1/4"	
N3	One-touch fitting for ø 5/32"	SY5000
N7	One-touch fitting for ø 1/4"	
N9	One-touch fitting for ø 5/16"	SY7000
N9	One-touch fitting for ø 5/16"	
N11	One-touch fitting for ø 3/8"	SY9000
N9	One-touch fitting for ø 5/16"	
N11	One-touch fitting for ø 3/8"	

Manual override

Nil: Non-locking push type	D: Push-turn locking slotted type	E: Push-turn locking lever type
----------------------------	-----------------------------------	---------------------------------

Light/Surge voltage suppressor

Electrical entry for G, H, L, M, W

Nil	Without light/surge voltage suppressor
S	With surge voltage suppressor
Z	With light/surge voltage suppressor
R	With surge voltage suppressor (Non-polar type)
U	With light/surge voltage suppressor (Non-polar type)

* For AC voltage valves there is no "S" option. It is already built-in to the rectifier circuit.
* For "R" and "U", DC voltage is only available.
* Power saving circuit is only available in the "Z" type.

Electrical entry for D

Nil	Without light/surge voltage suppressor
S	With surge voltage suppressor
Z	With light/surge voltage suppressor

* "DOZ" is not available.
* For AC voltage valves there is no "S" option. It is already built-in to the rectifier circuit.

Bracket

Nil: Without bracket
F1: With foot bracket (2 position single only)
F2: With side bracket

* SY9000 has no bracket.

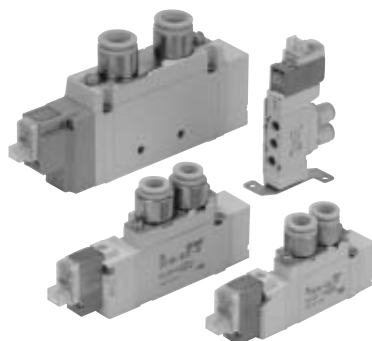
Thread type

Nil	Rc
F	G
N	NPT
T	NPTF

Note) When placing an order for body ported solenoid valve as a single unit, mounting bolt for manifold and gasket are not attached. Order them separately, if necessary. (For details, refer to catalog on page 1-4-61.)

Series SY3000/5000/7000/9000

Specifications



Series		SY3000	SY5000	SY7000	SY9000
Fluid		Air			
Internal pilot	2 position single	0.15 to 0.7			
Operating pressure range (MPa)	2 position double	0.1 to 0.7			
	3 position	0.2 to 0.7			
Ambient and fluid temperature (°C)		-10 to 50 (No freezing. Refer to page 1-7-5.)			
Max. operating frequency (Hz)	2 position single, double	10	5	5	5
	3 position	3	3	3	3
Manual override (Manual operation)		Non-locking push type, Push-turn locking slotted type, Push-turn locking lever type			
Pilot exhaust method		Common exhaust type for main and pilot valve			
Lubrication		Not required			
Mounting orientation		Unrestricted			
Impact/Vibration resistance (m/s ²) ^{Note)}		150/30			
Enclosure		Dustproof (* DIN terminal, M8 connector conforms to IP65)			



* Based on IEC529)

Note) Impact resistance: No malfunction occurred when it is tested with a drop tester in the axial direction and at the right angles to the main valve and armature in both energized and de-energized states every once for each condition. (Values at the initial period)

Vibration resistance: No malfunction occurred in a one-sweep test between 45 and 2000 Hz. Test was performed at both energized and de-energized states in the axial direction and at the right angles to the main valve and armature. (Values at the initial period)

SV

SZ

SY

SYJ

SX



Made to Order Specifications

(For details, refer to pages 1-4-188 to 202.)

Solenoid Specifications

Electrical entry		Grommet (G), (H) L plug connector (L) M plug connector (M)	DIN terminal (D) M8 connector (W)
Coil rated voltage (V)	DC	24, 12, 6, 5, 3	
	AC 50/60 Hz	100, 110, 200, 220*	
Allowable voltage fluctuation (%)		±10% of rated voltage	
Power consumption (W)	DC	Standard	0.35 (With indicator light: 0.4 DIN terminal with indicator light: 0.45)
		With power saving circuit	0.1 (With indicator light only)
Apparent power (VA)	AC	100 V	1.4 (With indicator light: 1.5)
		110 V	1.6 (With indicator light: 1.7)
		[115 V]	[1.7 (With indicator light: 1.8)]
		200 V	2.3 (With indicator light: 2.4)
		220 V [230 V]	2.5 (With indicator light: 2.6) [2.7 (With indicator light: 2.8)]
Surge voltage suppressor		Diode (DIN terminal is ZNR. G, L or M (Non-polar) is zener diode.)	
Indicator light		LED	



* In common between 110 VAC and 115 VAC, and between 220 VAC and 230 VAC.

* For 115 VAC and 230 VAC, the allowable voltage is -15% to +5% of rated voltage.

Response Time



Note) Based on dynamic performance test, JIS B 8375-1981. (Coil temperature: 20°C, at rated voltage, without surge suppressor)

SY3000

Type of actuation	Response time (ms) (at the pressure of 0.5 MPa)		
	Without light/surge voltage suppressor	With light/surge voltage suppressor	
		Type S, Z	Type R, U
2 position single	12 or less	15 or less	12 or less
2 position double	10 or less	13 or less	10 or less
3 position	15 or less	20 or less	16 or less

SY5000

Type of actuation	Response time (ms) (at the pressure of 0.5 MPa)		
	Without light/surge voltage suppressor	With light/surge voltage suppressor	
		Type S, Z	Type R, U
2 position single	19 or less	26 or less	19 or less
2 position double	18 or less	22 or less	18 or less
3 position	32 or less	38 or less	32 or less

SY7000

Type of actuation	Response time (ms) (at the pressure of 0.5 MPa)		
	Without light/surge voltage suppressor	With light/surge voltage suppressor	
		Type S, Z	Type R, U
2 position single	31 or less	38 or less	33 or less
2 position double	27 or less	30 or less	28 or less
3 position	50 or less	56 or less	50 or less

SY9000

Type of actuation	Response time (ms) (at the pressure of 0.5 MPa)		
	Without light/surge voltage suppressor	With light/surge voltage suppressor	
		Type S, Z	Type R, U
2 position single	35 or less	41 or less	35 or less
2 position double	35 or less	41 or less	35 or less
3 position	62 or less	64 or less	62 or less

Series SY3000/5000/7000/9000

Flow Characteristics/Weight

Series SY3000

Valve model	Type of actuation		Port size		Flow characteristics						Weight (g)		
			1, 5, 3 (P, EA, EB)	4, 2 (A, B)	1→4/2 (P→A/B)			4/2→5/3 (A/B→EA/EB)			Grom- met	L, M plug connector	W M8 connector
			C (dm ³ /s-bar)	b	Cv	C (dm ³ /s-bar)	b	Cv					
SY3□20 -□-M5	2 position	Single	M5 x 0.8										
		Double											
	3 position	Closed center											
		Exhaust center											
SY3□20 -□-C4	2 position	Single	M5 x 0.8	C4 (One-touch fitting for ø4)									
		Double											
	3 position	Closed center											
		Exhaust center											
SY3□20 -□-C6	2 position	Single	M5 x 0.8	C6 (One-touch fitting for ø6)									
		Double											
	3 position	Closed center											
		Exhaust center											

Note [] : Denotes normal position.

Series SY7000

Valve model	Type of actuation		Port size		Flow characteristics						Weight (g)			
			1, 5, 3 (P, EA, EB)	4, 2 (A, B)	1→4/2 (P→A/B)			4/2→5/3 (A/B→EA/EB)			Grom- met	L, M plug connector	DIN terminal	W M8 connector
			C (dm ³ /s-bar)	b	Cv	C (dm ³ /s-bar)	b	Cv						
SY7□20 -□-Ø2	2 position	Single	1/4											
		Double												
	3 position	Closed center												
		Exhaust center												
SY7□20 -□-C8	2 position	Single	1/4	C8 (One-touch fitting for ø8)										
		Double												
	3 position	Closed center												
		Exhaust center												
SY7□20 -□-C10	2 position	Single	1/4	C10 (One-touch fitting for ø10)										
		Double												
	3 position	Closed center												
		Exhaust center												

Note [] : Denotes normal position.

Series SY5000

Valve model	Type of actuation		Port size		Flow characteristics						Weight (g)			
			1, 5, 3 (P, EA, EB)	4, 2 (A, B)	1→4/2 (P→A/B)			4/2→5/3 (A/B→EA/EB)			Grom- met	L, M plug connector	DIN terminal	W M8 connector
			C (dm ³ /s-bar)	b	Cv	C (dm ³ /s-bar)	b	Cv						
SY5□20 -□-Ø1	2 position	Single	1/8											
		Double												
	3 position	Closed center												
		Exhaust center												
SY5□20 -□-C4	2 position	Single	1/8	C4 (One-touch fitting for ø4)										
		Double												
	3 position	Closed center												
		Exhaust center												
SY5□20 -□-C6	2 position	Single	1/8	C6 (One-touch fitting for ø6)										
		Double												
	3 position	Closed center												
		Exhaust center												
SY5□20 -□-C8	2 position	Single	1/8	C8 (One-touch fitting for ø8)										
		Double												
	3 position	Closed center												
		Exhaust center												

Note [] : Denotes normal position.

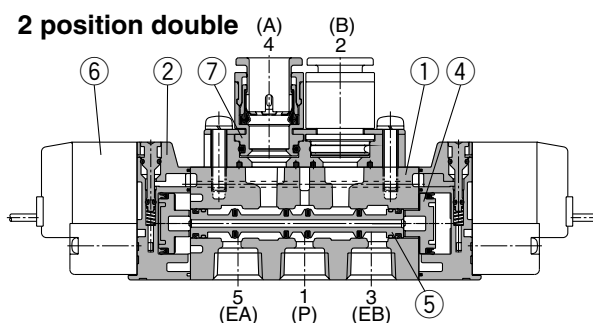
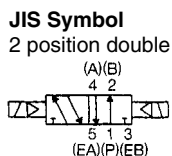
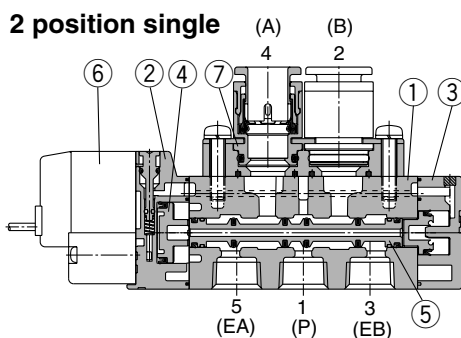
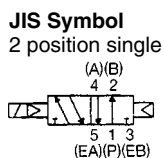
Series SY9000

Valve model	Type of actuation		Port size		Flow characteristics						Weight (g)			
			1, 5, 3 (P, EA, EB)	4, 2 (A, B)	1→4/2 (P→A/B)			4/2→5/3 (A/B→EA/EB)			Grom- met	L, M plug connector	DIN terminal	W M8 connector
			C (dm ³ /s-bar)	b	Cv	C (dm ³ /s-bar)	b	Cv						
SY9□20 -□-Ø2	2 position	Single	1/4											
		Double												
	3 position	Closed center												
		Exhaust center												
SY9□20 -□-Ø3	2 position	Single	3/8											
		Double												
	3 position	Closed center												
		Exhaust center												
SY9□20 -□-C8	2 position	Single	1/4	C8 (One-touch fitting for ø8)										
		Double												
	3 position	Closed center												
		Exhaust center												
SY9□20 -□-C10	2 position	Single	1/4	C10 (One-touch fitting for ø10)										
		Double												
	3 position	Closed center												
		Exhaust center												
SY9□20 -□-C12	2 position	Single	1/2	C12 (One-touch fitting for ø12)										
		Double												
	3 position	Closed center												
		Exhaust center												

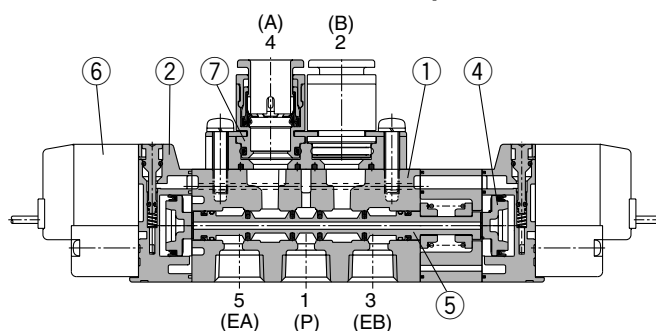
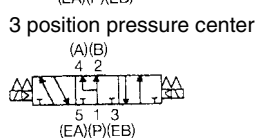
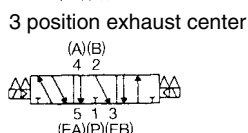
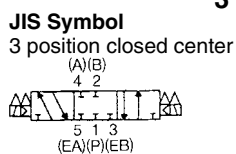
Note [] : Denotes normal position.

Construction

Series SY



3 position closed center/exhaust center/pressure center



(This figure shows a closed center type.)

Component Parts

No.	Description	Material	Note
①	Body	Aluminum die-casted (SY3000: Zinc die-casted)	White
②	Adapter plate	Resin	White (SY9000: Gray)
③	End plate	Resin	White
④	Piston	Resin	—
⑤	Spool valve assembly	Aluminum, HNBR	—

Replacement Parts

No.	Description	Part no.
⑥	Pilot valve assembly	Refer to "How to Order Pilot Valve Assembly" on page 1-4-10.
⑦	M5 port block assembly	Refer to "How to Order Port Block Assembly" on page 1-4-11.

Bracket Assembly Part No.

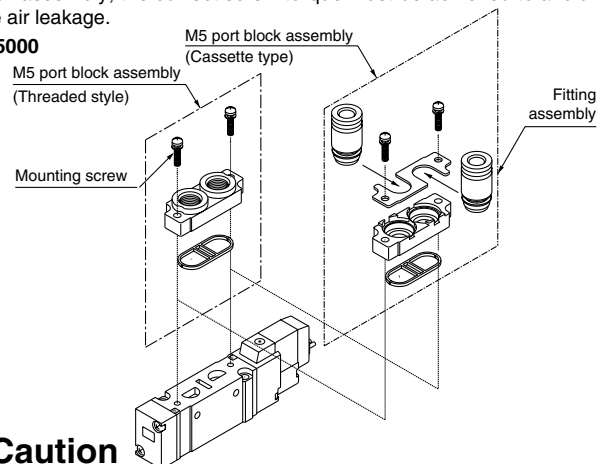
Description	part no.
Bracket (For F1)	SX ³ 000-16-2A (with mounting screw)
Bracket (For F2)	SX ³ 000-16-1A (with mounting screw)

* SY9000 has no bracket.

How to Change Port Block Assembly

If using body port type, both A and B port sizes can be changed by replacing the port block assembly mounted on the body. When changing this block assembly, the correct screw torque must be achieved to avoid possible air leakage.

For SY5000



Caution

Mounting screw tightening torques

SY3000 (M2): 0.12 N·m
SY⁵000 (M3): 0.6 N·m
SY9000 (M4): 1.4 N·m

* Refer to "How to Order Port Block Assembly" on page 1-4-11 for part no.

Series SY3000/5000/7000/9000

How to Order Pilot Valve Assembly

How to Order Connector Assembly for L/M Plug Connector

V111 5 G

Coil specifications

Nil	Standard: DC specifications
A	Standard: AC specifications
T	With power saving circuit (24 VDC, 12 VDC only)

* Power saving circuit is not available in the case of "D", "DO" or "W□" type.

Rated voltage

5	24 VDC
6	12 VDC
V	6 VDC
S	5 VDC
R	3 VDC
1	100 VDC ^{50/60} Hz
2	200 VAC ^{50/60} Hz
3	110 VAC ^{50/60} Hz [115 VAC ^{50/60} Hz]
4	220 VAC ^{50/60} Hz [230 VAC ^{50/60} Hz]

* For type "W□", DC voltage is only available.

Light/Surge voltage suppressor

Nil	Without light/surge voltage suppressor
S	With surge voltage suppressor
Z	With light/surge voltage suppressor
R	With surge voltage suppressor (Non-polar type)
U	With light/surge voltage suppressor (Non-polar type)

* For AC voltage valves there is no "S" option. It is already built-in to the rectifier circuit.
* For "R" and "U", DC voltage is only available.
* Power saving circuit is only available in the "Z" type.

Electrical entry

G	Grommet, 300 mm lead wire	
H	Grommet, 600 mm lead wire	
L	L plug connector	With lead wire
LN		Without lead wire
LO	Without connector	
M	M plug connector	With lead wire
MN		Without lead wire
MO		Without connector
WO	M8 connector Without connector cable	

Note) For connector cable of M8 connector, refer to page 1-4-209.

DIN terminal type

V115 5 D

Rated voltage

5	24 VDC
6	12 VDC
1	100 VAC ^{50/60} Hz
2	200 VAC ^{50/60} Hz
3	110 VAC ^{50/60} Hz [115 VAC ^{50/60} Hz]
4	220 VAC ^{50/60} Hz [230 VAC ^{50/60} Hz]

* DC specifications of type "D" and "DO" is only available with 12 and 24 VDC.

Light/Surge voltage suppressor

Nil	Without light/surge voltage suppressor
S	With surge voltage suppressor (Non-polar type)
Z	With light/surge voltage suppressor (Non-polar type)

* "DOZ" is not available.
* For AC voltage valves there is no "S" option. It is already built-in to the rectifier circuit.

Electrical entry

D	DIN	With connector
DO	terminal	Without connector

Note) Do not replace V111 (G, H, L, M) to V115 (DIN terminal) and vice versa when replacing pilot valve assembly only.

For DC: SY100-30-4A
For 100 VAC: SY100-30-1A
For 200 VAC: SY100-30-2A
For other voltages of AC: SY100-30-3A
Without lead wire: SY100-30-A
(with connector and 2 of sockets only)

Lead wire length

Nil	300 mm
6	600 mm
10	1000 mm
15	1500 mm
20	2000 mm
25	2500 mm
30	3000 mm
50	5000 mm

How to Order M8 Connector Cable

Straight type

V100-49-1-

Cable length

1	300 mm
2	500 mm
3	1000 mm
4	2000 mm
7	5000 mm

Series **SY3000/5000/7000/9000**

How to Order Port Block Assembly

SY **000—6A—**

Series

3	SY3000
5	SY5000
7	SY7000
9	SY9000

Thread type

Nil	Rc
F	G
N	NPT
T	NPTF

A, B port size

Thread piping

Symbol	Port size	Applicable series
M5	M5 x 0.8	SY3000
01	1/8	SY5000
02	1/4	SY7000
02	1/4	SY9000
03	3/8	

One-touch fitting (Metric size)

Symbol	Port size	Applicable series
C4	One-touch fitting for ø4	SY3000
C6	One-touch fitting for ø6	
C4	One-touch fitting for ø4	SY5000
C6	One-touch fitting for ø6	
C8	One-touch fitting for ø8	SY7000
C8	One-touch fitting for ø8	
C10	One-touch fitting for ø10	SY9000
C8	One-touch fitting for ø8	
C10	One-touch fitting for ø10	
C12	One-touch fitting for ø12	

One-touch fitting (Inch size)

Symbol	Port size	Applicable series
N3	One-touch fitting for ø 5/32"	SY3000
N7	One-touch fitting for ø 1/4"	
N3	One-touch fitting for ø 5/32"	SY5000
N7	One-touch fitting for ø 1/4"	
N9	One-touch fitting for ø 5/16"	SY7000
N9	One-touch fitting for ø 5/16"	
N11	One-touch fitting for ø 3/8"	SY9000
N9	One-touch fitting for ø 5/16"	
N11	One-touch fitting for ø 3/8"	

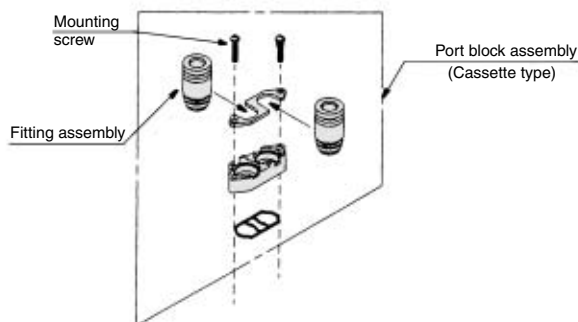
* Only replacement of the fittings assembly is possible.

Metric size

SY3000	One-touch fitting for ø4	VVQ1000-50A-C4
	One-touch fitting for ø6	VVQ1000-50A-C6
SY5000	One-touch fitting for ø4	VVQ1000-51A-C4
	One-touch fitting for ø6	VVQ1000-51A-C6
	One-touch fitting for ø8	VVQ1000-51A-C8
SY7000	One-touch fitting for ø8	VVQ2000-51A-C8
	One-touch fitting for ø10	VVQ2000-51A-C10
SY9000	One-touch fitting for ø8	VVQ4000-50B-C8
	One-touch fitting for ø10	VVQ4000-50B-C10
	One-touch fitting for ø12	VVQ4000-50B-C12

Inch size

SY3000	One-touch fitting for ø 5/32"	VVQ1000-50A-N3
	One-touch fitting for ø 1/4"	VVQ1000-50A-N7
SY5000	One-touch fitting for ø 5/32"	VVQ1000-51A-N3
	One-touch fitting for ø 1/4"	VVQ1000-51A-N7
	One-touch fitting for ø 5/16"	VVQ1000-51A-N9
SY7000	One-touch fitting for ø 5/16"	VVQ2000-51A-N9
	One-touch fitting for ø 3/8"	VVQ2000-51A-N11
SY9000	One-touch fitting for ø 5/16"	VVQ4000-50B-N9
	One-touch fitting for ø 3/8"	VVQ4000-50B-N11



SV

SZ

SY

SYJ

SX

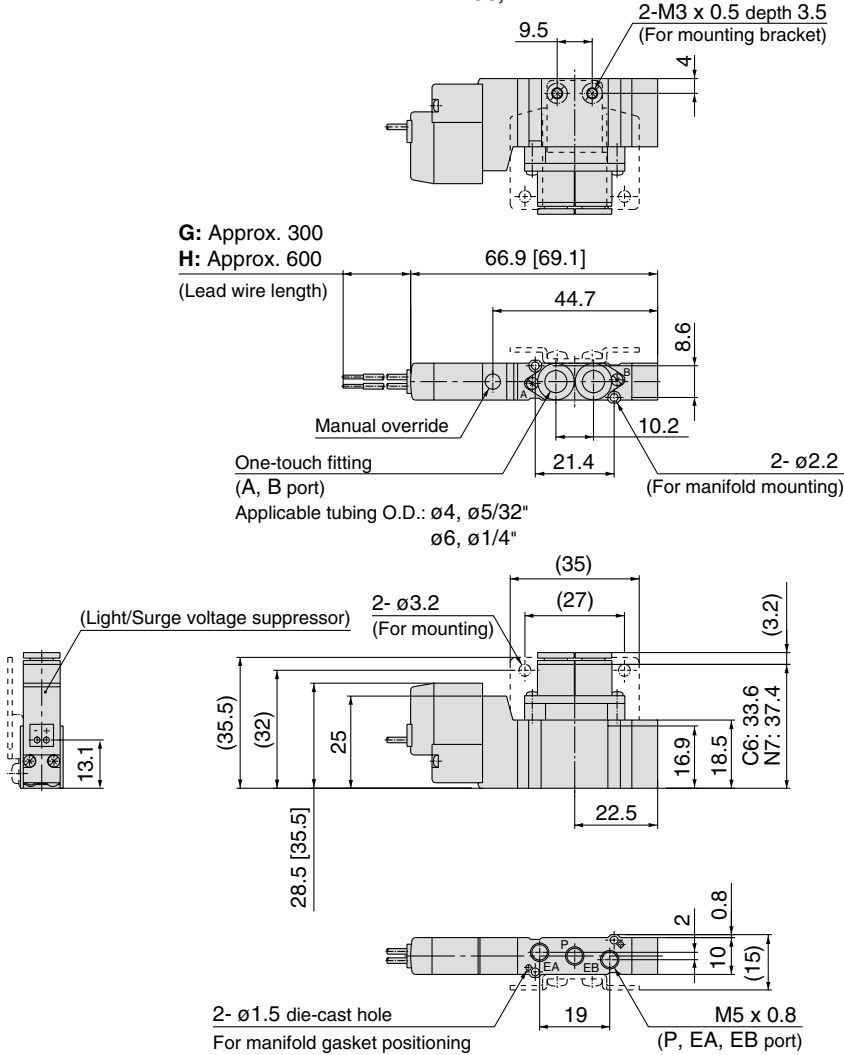
Series SY3000/5000/7000/9000

Dimensions: Series SY3000



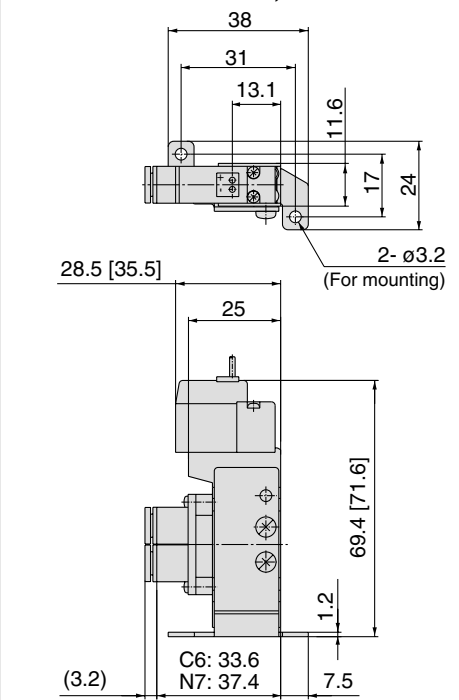
2 position single

Grommet (G), (H): SY3120-□^G□□- C4, N3
C6, N7(-F2)

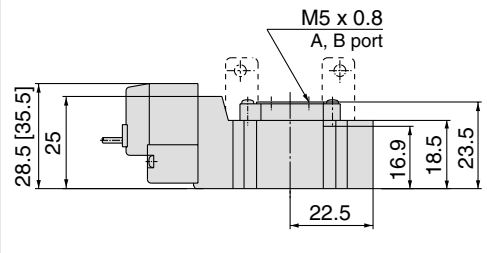


Foot bracket

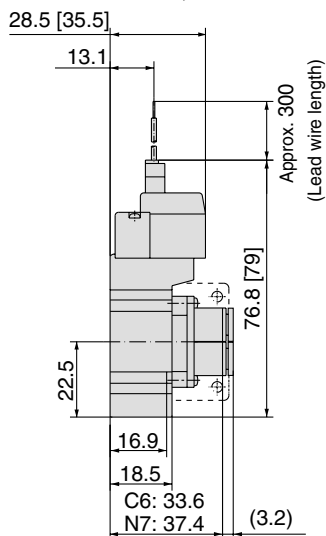
SY3120-□^G□□- C4, N3
C6, N7-F1



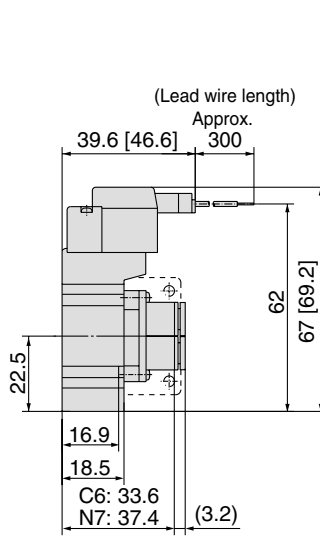
SY3120-□^G□□-M5(-F2)



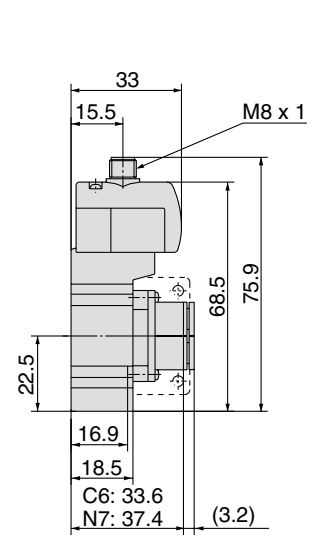
L plug connector (L):
SY3120-□L□□- C4, N3
C6, N7 (-F1)



M plug connector (M):
SY3120-□M□□- C4, N3
C6, N7(-F1)

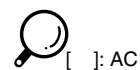


M8 connector (WO):
SY3120-□WO□□C4, N3
C6, N7 (-F1)



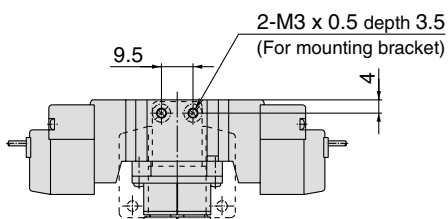
Note) Refer to page 1-4-210 for dimensions of connector types.

Dimensions: Series SY3000

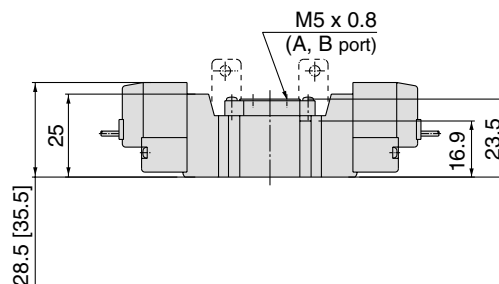


2 position double

Grommet (G), (H): SY3220-□G□□-C4, N3
C6, N7(-F2)

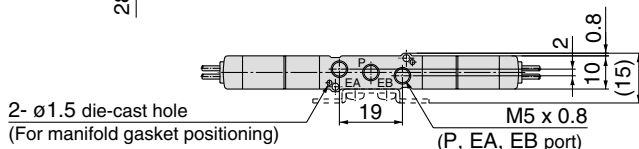
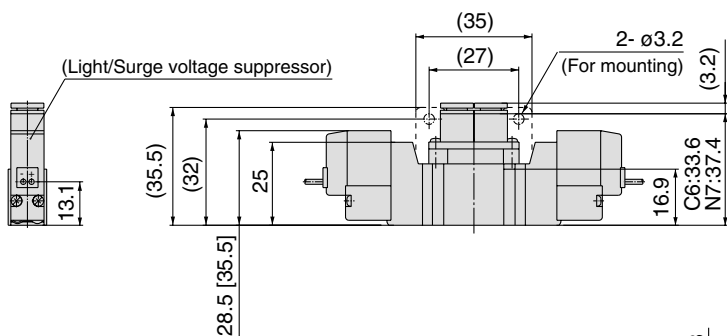
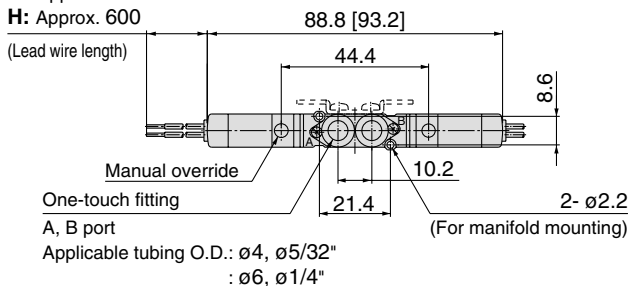


SY3220-□G□□-M5(-F2)



G: Approx. 300

H: Approx. 600



SV

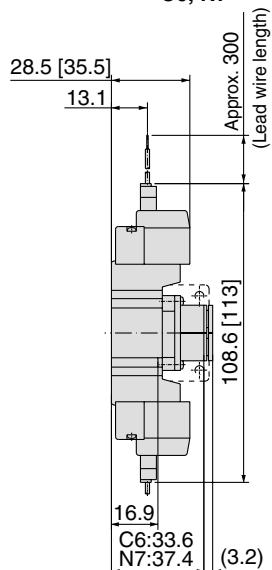
SZ

SY

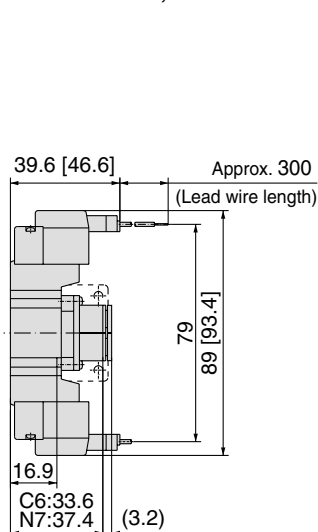
SYJ

SX

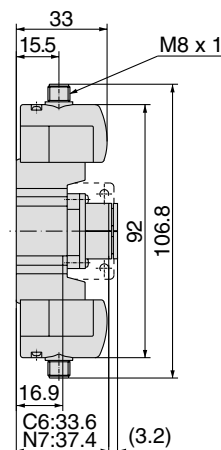
L plug connector (L):
SY3220-□L□□-C4, N3
C6, N7(-F₁)



M plug connector (M):
SY3220-□M□□-C4, N3
C6, N7(-F₁)



M8 connector (WO):
SY3220-WO□□-C4, N3
C6, N7(-F₁)



Note) Refer to page 1-4-210 for dimensions of connector types.

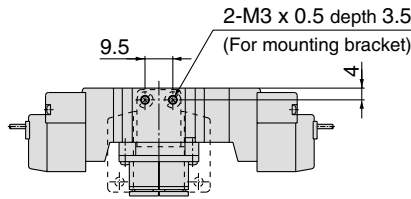
Series SY3000/5000/7000/9000

Dimensions: Series SY3000

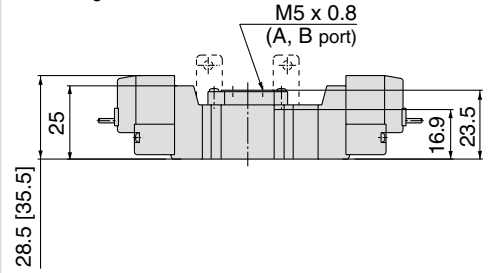


3 position closed center/exhaust center/pressure center

Grommet (G), (H): SY3³/₅20-□G□□-C₄, N₃(-F2)
C₆, N₇



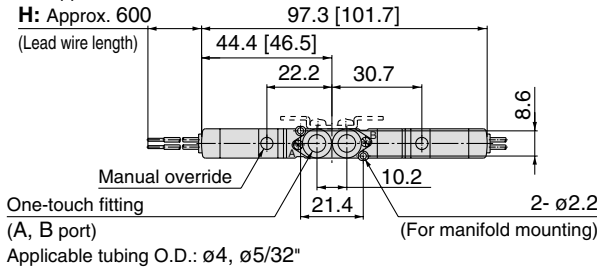
SY3³/₅20-□H□□-M5(-F2)



G: Approx. 300

H: Approx. 600

(Lead wire length)



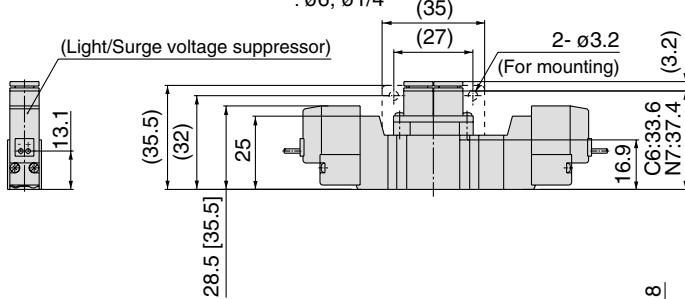
Manual override

One-touch fitting

(A, B port)

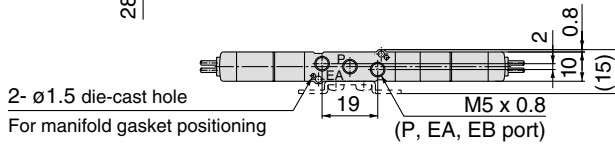
Applicable tubing O.D.: ø4, ø5/32"

: ø6, ø1/4"



(Light/Surge voltage suppressor)

(For mounting)

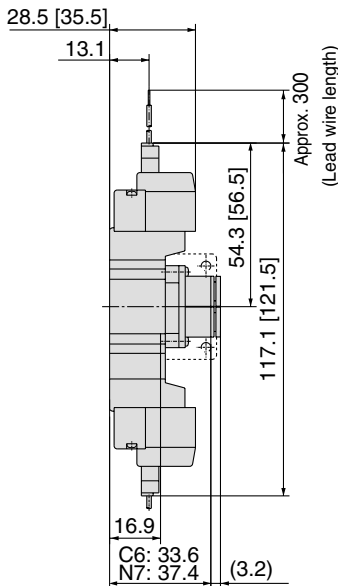


2-ø1.5 die-cast hole

For manifold gasket positioning

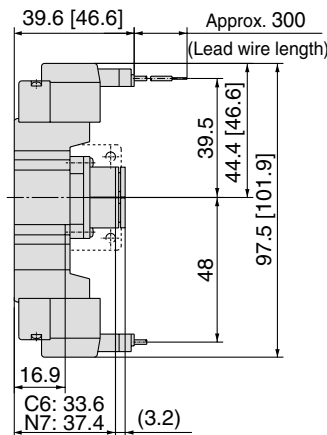
L plug connector (L):

SY3³/₅20-□L□□-C₄, N₃(-F2)
C₆, N₇



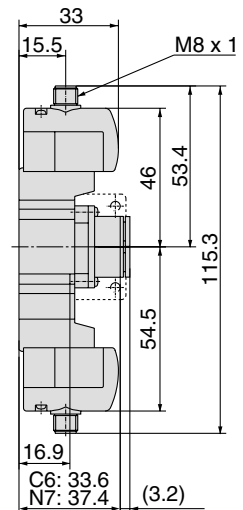
M plug connector (M):

SY3220-□M□□-C₄, N₃(-F2)
C₆, N₇



M8 connector (WO):

SY3³/₅20-□WO□□-C₄, N₃(-F2)
C₆, N₇



Note) Refer to page 1-4-210 for dimensions of connector types.

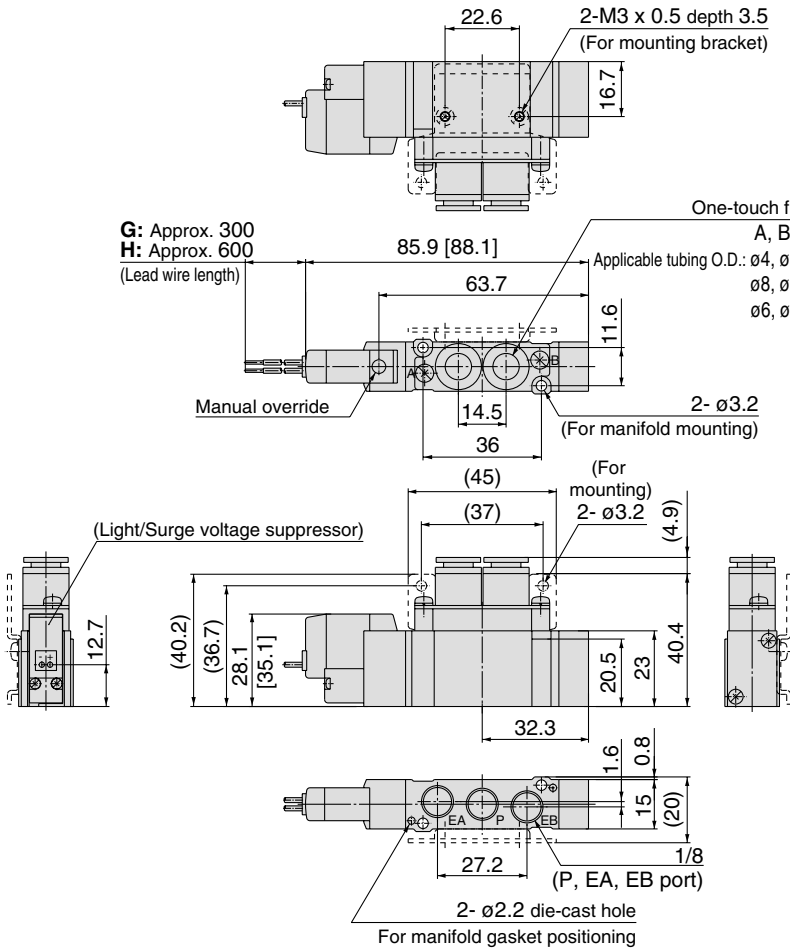
Series SY3000/5000/7000/9000

Dimensions: Series SY5000



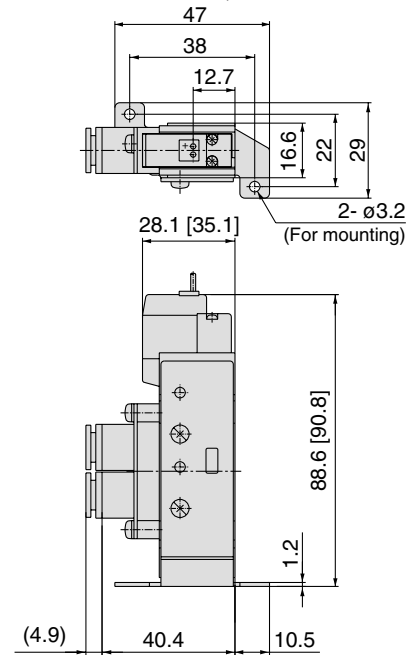
2 position single

Grommet (G), (H): SY5120-□^G□□-^{C4, N3}_{C6, N7}□□(-F2)
^{C8, N9}

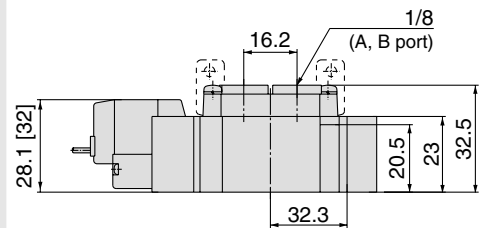


Foot bracket

SY5120-□^G□□-^{C4, N3}_{C6, N7}□□(-F1)
^{C8, N9}

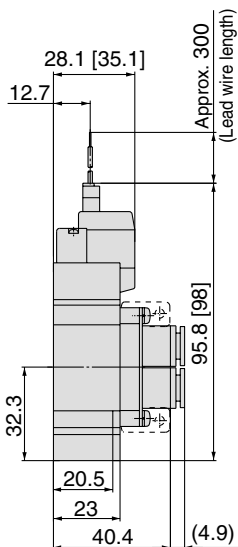


SY5120-□^G□□-01□□(-F2)
^H



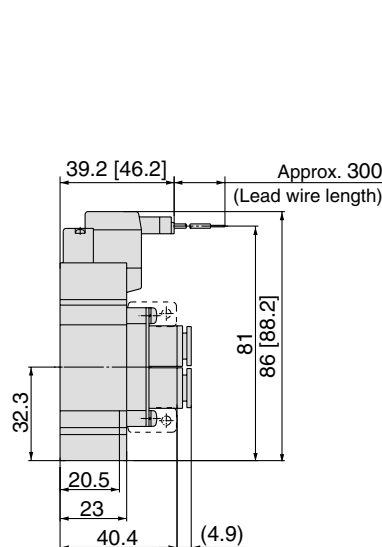
L plug connector: L

SY5120-□L□□-^{C4, N3}_{C6, N7}□□(-F2)
^{C8, N9}



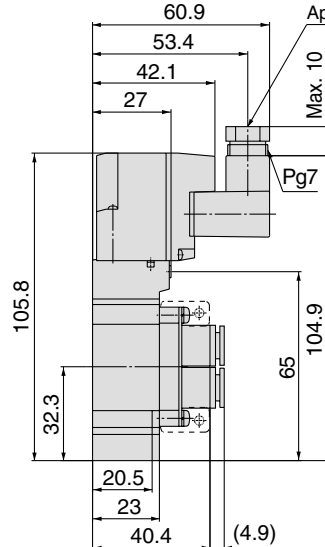
M plug connector: M

SY5120-□M□□-^{C4, N3}_{C6, N7}□□(-F2)
^{C8, N9}



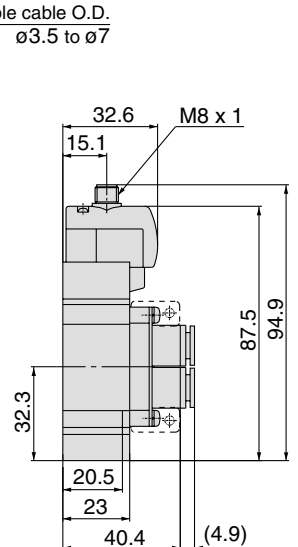
DIN terminal (D):

SY5120-□D□□-^{C4, N3}_{C6, N7}□□(-F2)
^{C8, N9}



M8 connector (WO):

SY5120-□WO□□-^{C4, N3}_{C6, N7}□□(-F2)
^{C8, N9}



Note) Refer to page 1-4-210 for dimensions of connector types.

- SV
- SZ
- SY**
- SYJ
- SX

Series SY3000/5000/7000/9000

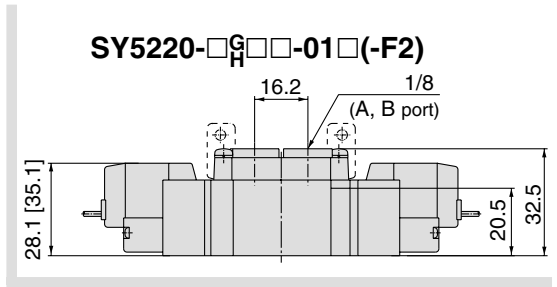
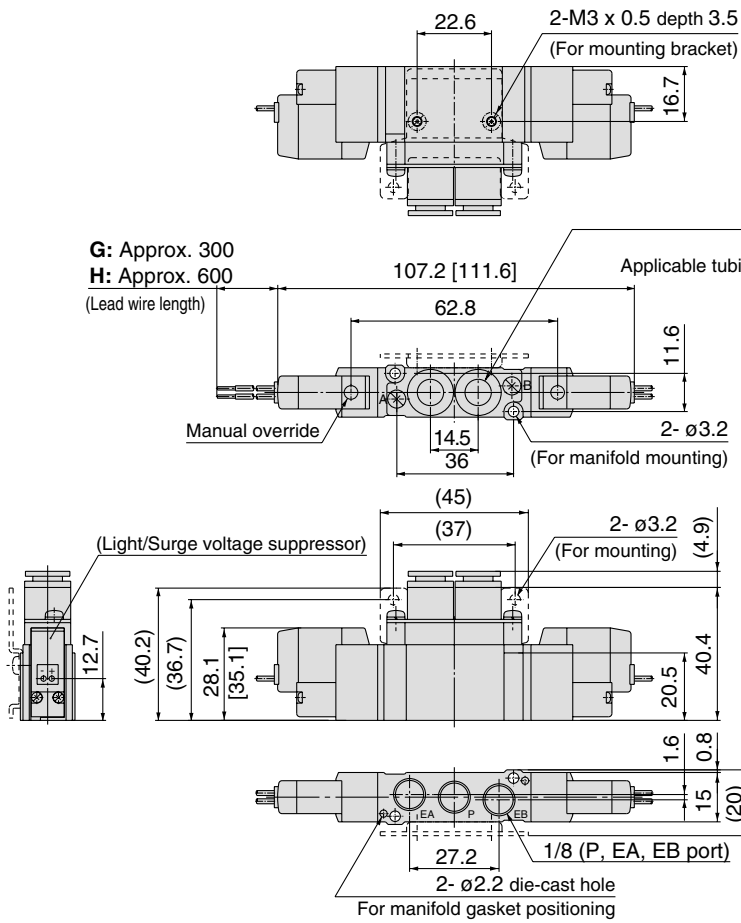
Dimensions: Series SY5000



2 position double

Grommet (G), (H): SY5220-□^G□□-^{C4, N3}_{C6, N7}□□(-F2)
^{C4, N3}_{C8, N9}

SY5220-□^G□□-01□□(-F2)
^{C4, N3}_{C6, N7}



L plug connector: L

SY5220-□^L□□-^{C4, N3}_{C6, N7}□□(-F2)
^{C4, N3}_{C8, N9}

M plug connector: M

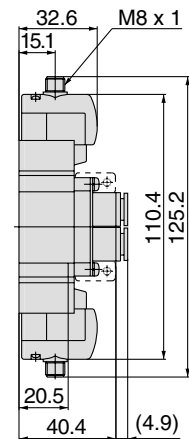
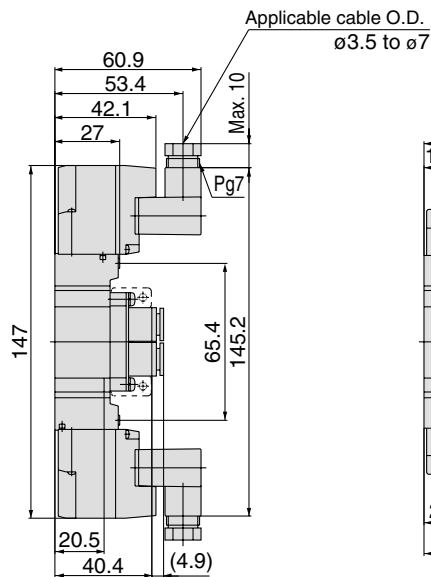
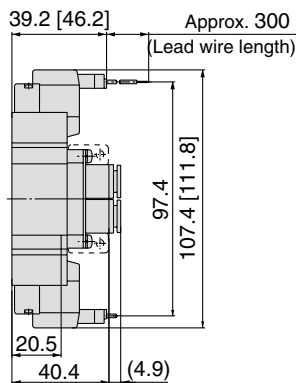
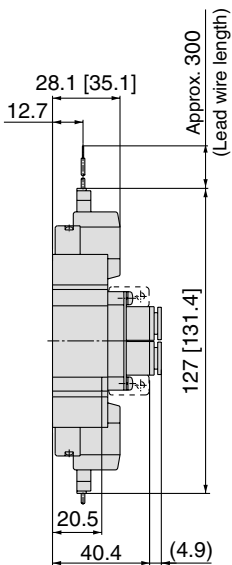
SY5220-□^M□□-^{C4, N3}_{C6, N7}□□(-F2)
^{C4, N3}_{C8, N9}

DIN terminal (D):

SY5220-□^D□□-^{C4, N3}_{C6, N7}□□(-F2)
^{C4, N3}_{C8, N9}

M8 connector (WO):

SY5220-□^{WO}□□-^{C4, N3}_{C6, N7}□□(-F2)
^{C4, N3}_{C8, N9}



Note) Refer to page 1-4-210 for dimensions of connector types.

Series SY3000/5000/7000/9000

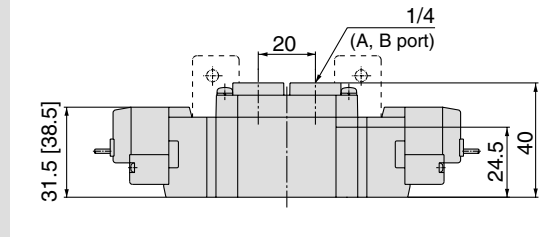
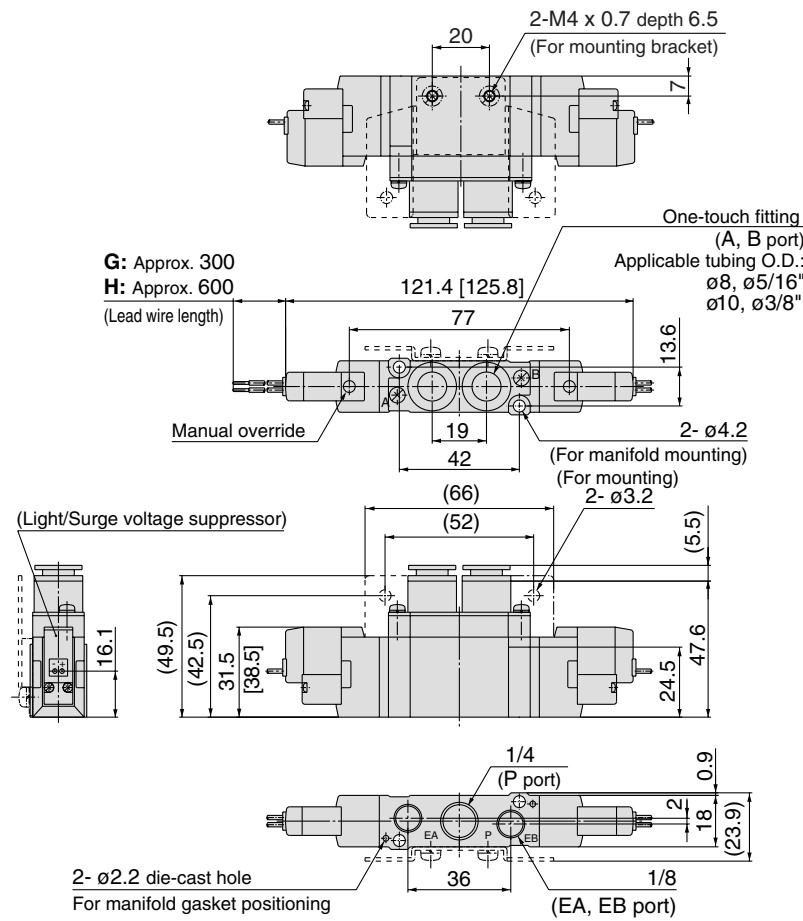
Dimensions: Series SY7000



2 position double

Grommet (G), (H): SY7220-□^G□□□-C8, N9
C10, N11 □(-F2)

SY7220-□^G□□□-02□(-F2)



- SV
- SZ
- SY**
- SYJ
- SX

L plug connector (L):

SY7220-□L□□-C8, N9
C10, N11 □(-F2)

M plug connector (M):

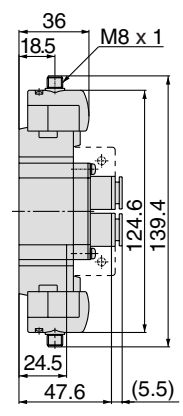
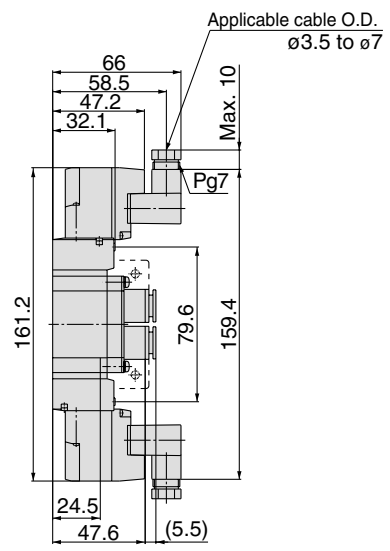
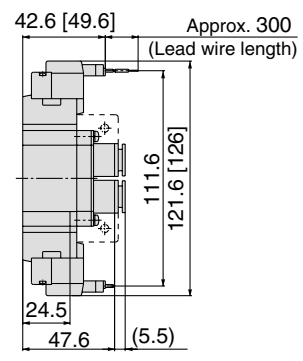
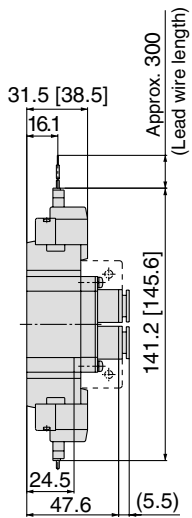
SY7220-□M□□-C8, N9
C10, N11 □(-F2)

DIN terminal (D):

SY7220-□D□□-C8, N9
C10, N11 □(-F2)

M8 connector (WO):

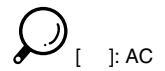
SY7220-□WO□□-C8, N9
C10, N11 □(-F2)



Note) Refer to page 1-4-210 for dimensions of connector types.

Series SY3000/5000/7000/9000

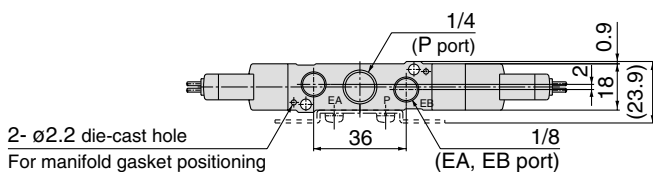
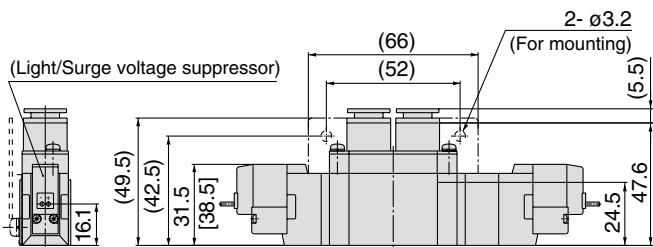
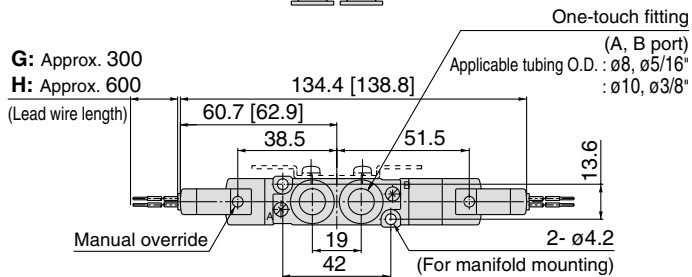
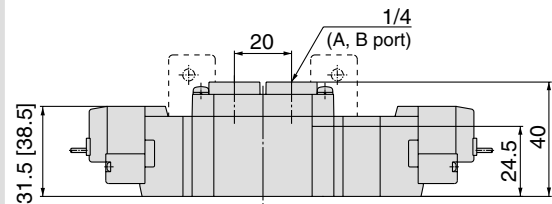
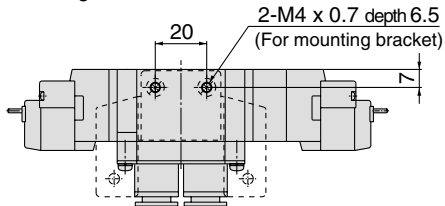
Dimensions: Series SY7000



3 position closed center/exhaust center/pressure center

Grommet (G), (H): SY7³/₅20-□^G□□-C8, N9 □(-F2)
C10, N11 □(-F2)

SY7³/₅20-□^G□□-02□(-F2)



L plug connector (L):

SY7³/₅20-□L□□-C8, N9 □(-F2)
C10, N11 □(-F2)

M plug connector (M):

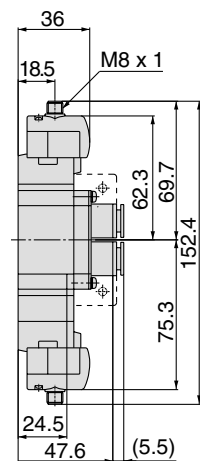
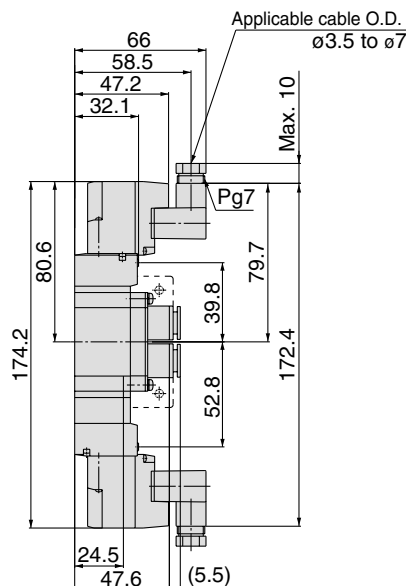
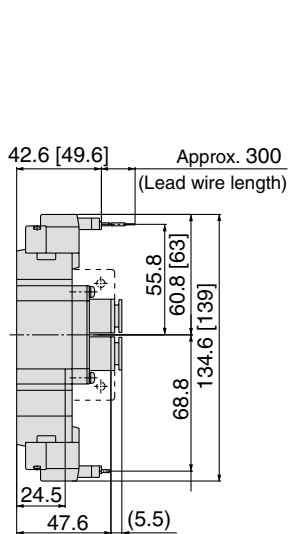
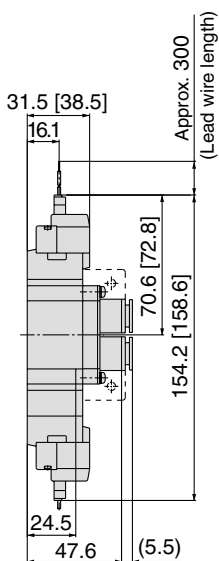
SY7³/₅20-□M□□-C8, N9 □(-F2)
C10, N11 □(-F2)

DIN terminal (D):

SY7³/₅20-□D□□-C8, N9 □(-F2)
C10, N11 □(-F2)

M8 connector (WO):

SY7³/₅20-□WO□□-C8, N9 □(-F2)
C10, N11 □(-F2)



Note) Refer to page 1-4-210 for dimensions of connector types.

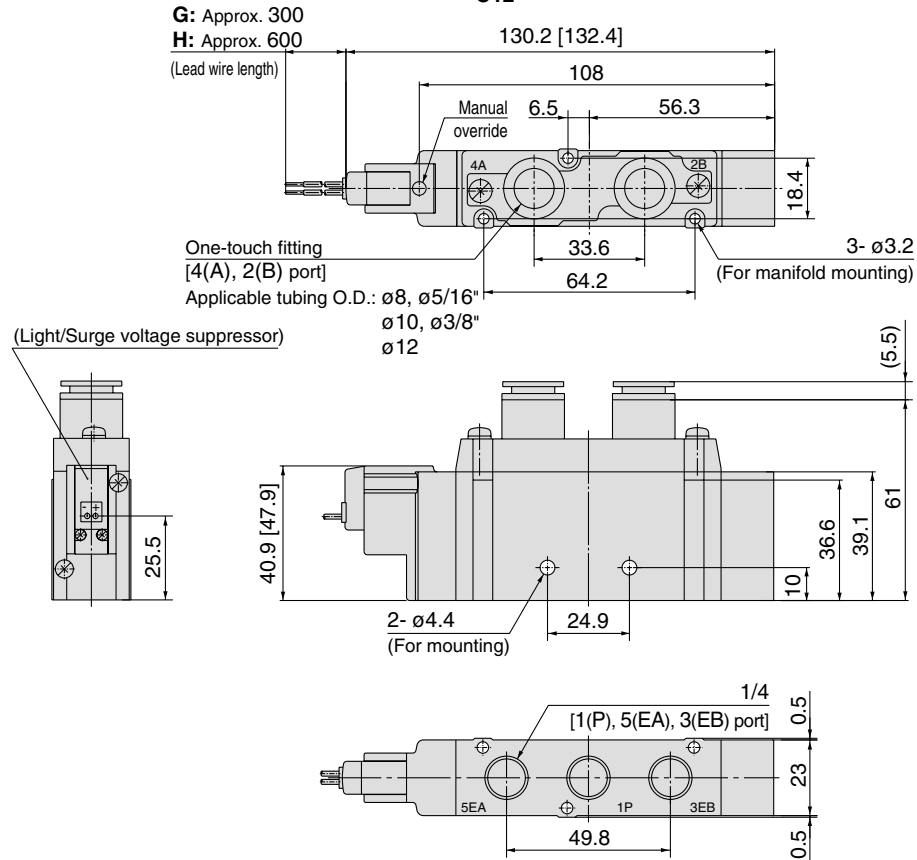
Dimensions: Series SY9000



2 position single

Grommet (G), (H): SYJ9120-□^G□□□^{C8, N9}
 -□□□^{C10, N11}
 □□□^{C12}

SY9120-□^G□□□⁰²
 -□□□⁰³



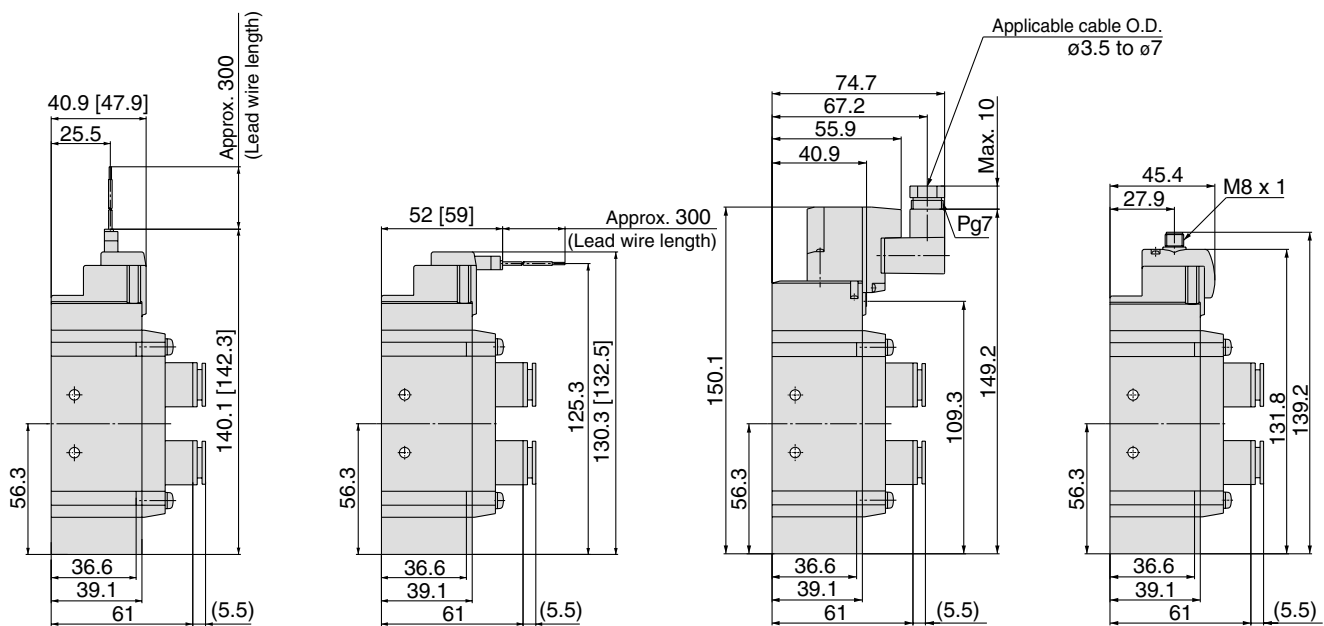
- SV
- SZ
- SY**
- SYJ
- SX

L plug connector (L):
 SY9120-□^L□□□^{C8, N9}
 -□□□^{C10, N11}
 □□□^{C12}

M plug connector (M):
 SY9120-□^M□□□^{C8, N9}
 -□□□^{C10, N11}
 □□□^{C12}

DIN terminal (D):
 SY9120-□^D□□□^{C8, N9}
 -□□□^{C10, N11}
 □□□^{C12}

M8 connector (WO):
 SY9120-□^{WO}□□□^{C8, N9}
 -□□□^{C10, N11}
 □□□^{C12}



Note) Refer to page 1-4-210 for dimensions of connector types.

Series SY3000/5000/7000/9000

Dimensions: Series SY9000

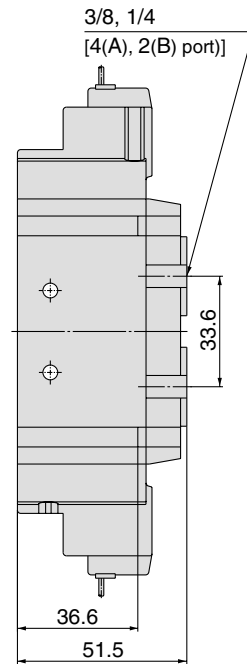
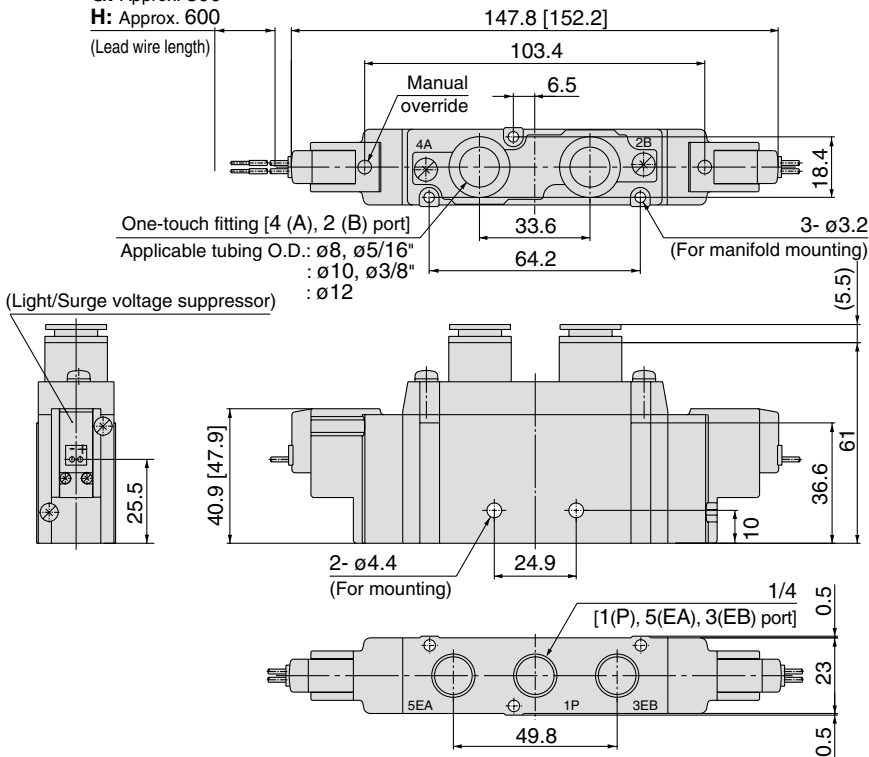


2 position double

Grommet (G), (H): SYJ9220-□^G□^H□^{C8, N9}□^{C10, N11}□^{C12}

G: Approx. 300
H: Approx. 600
(Lead wire length)

SY9220-□^G□^H□^{C8, N9}□^{C10, N11}□^{C12}-02□⁰³□

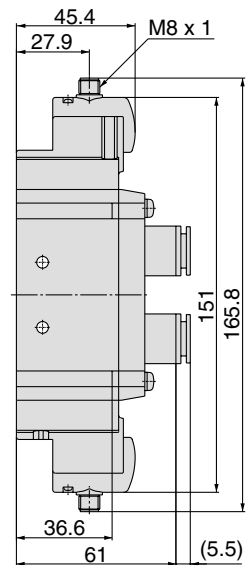
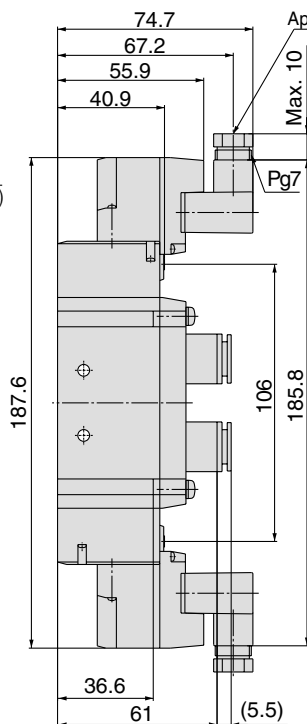
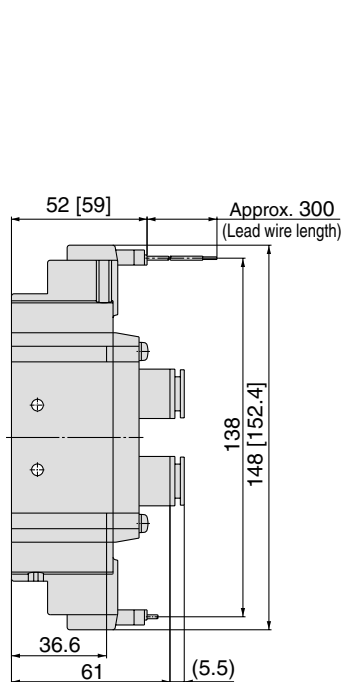
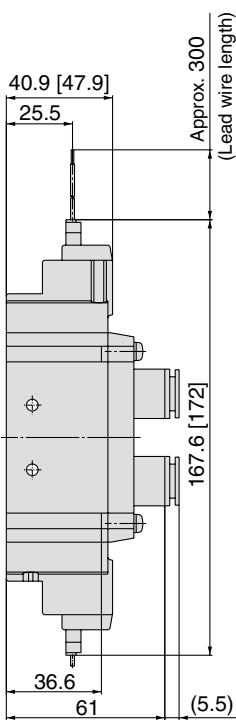


L plug connector (L):
SY9220-□^L□^{C8, N9}□^{C10, N11}□^{C12}

M plug connector (M):
SY9220-□^M□^{C8, N9}□^{C10, N11}□^{C12}

DIN terminal (D):
SY9220-□^D□^{C8, N9}□^{C10, N11}□^{C12}

M8 connector (WO):
SY9220-□^{WO}□^{C8, N9}□^{C10, N11}□^{C12}



Note) Refer to page 1-4-210 for dimensions of connector types.

Dimensions: Series SY9000



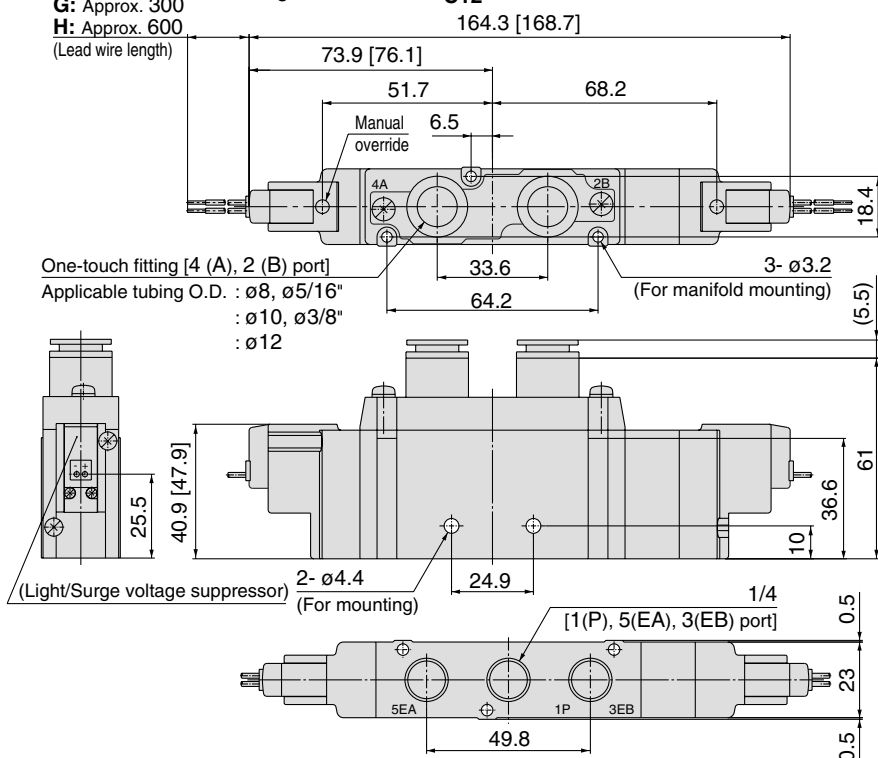
3 position closed center/exhaust center/pressure

Grommet (G), (H): SY9³/₅420-□^G□□-C8, N9
C10, N11 □
C12

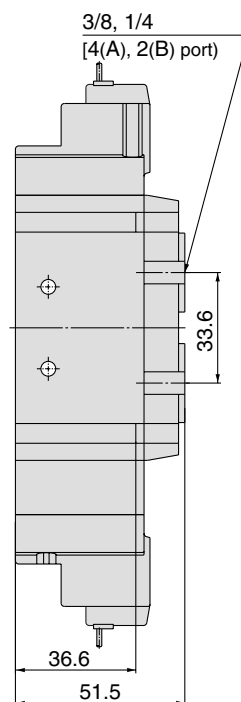
G: Approx. 300

H: Approx. 600

(Lead wire length)



SY9³/₅420-□^G□□-02 □
03 □



SV

SZ

SY

SYJ

SX

L plug connector (L):

SY9³/₅420-□^L□□-C8, N9
C10, N11 □
C12

M plug connector (M):

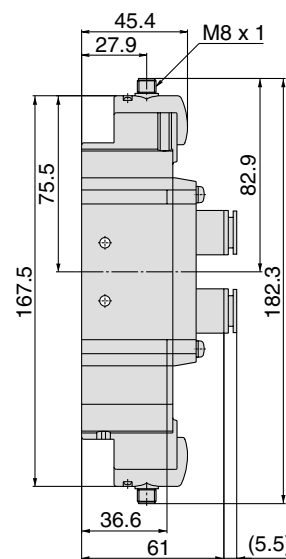
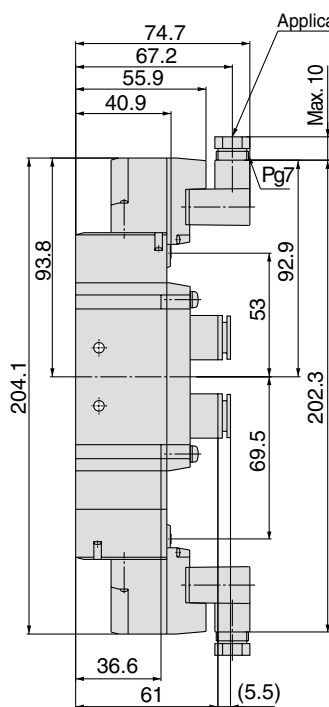
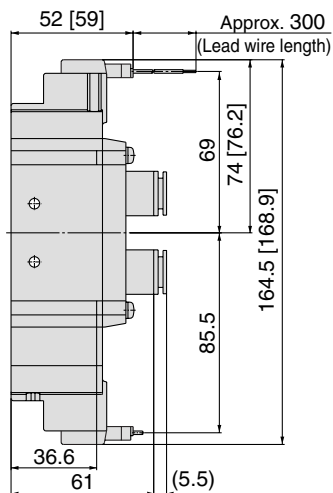
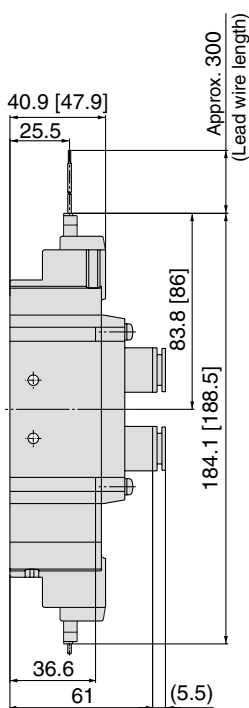
SY9³/₅420-□^M□□-C8, N9
C10, N11 □
C12

DIN terminal (D):

SY9³/₅420-□^D□□-C8, N9
C10, N11 □
C12

M8 connector (WO):

SY9³/₅420-□^{WO}□□-C8, N9
C10, N11 □
C12



Note) Refer to page 1-4-210 for dimensions of connector types.

Series SY3000/5000/7000/9000 Base Mounted Valve Single Unit

How to Order

SY 5 2 40 **5 L**

Series

3	SY3000
5	SY5000
7	SY7000
9	SY9000

Type of actuation

1	2 position single
2	2 position double
3	3 position closed center
4	3 position exhaust center
5	3 position pressure center

Pilot type

Nil	Internal pilot
R	External pilot

Coil specifications

Nil	Standard
T	With power saving circuit (24, 12 VDC only)

* Power saving circuit is not available in the case of "D", "DO" or "W□" type.

Rated voltage

DC

5	24 VDC
6	12 VDC
V	6 VDC
S	5 VDC
R	3 VDC

AC (50/60 Hz)

1	100 VAC
2	200 VAC
3	110 VAC [115 VAC]
4	220 VAC [230 VAC]

* DC specifications of type "D" and "DO" is only available with 12 and 24 VDC.
* For type "W□", DC voltage is only available.

Port size

Symbol	Port size	Applicable series
Nil	Without sub-plate	
01	1/8 With sub-plate	SY3000
02	1/4 With sub-plate	SY5000 SY7000
03	3/8 With sub-plate	SY7000 SY9000
04	1/2 With sub-plate	SY9000

Thread type

Nil	Rc
F	G
N	NPT
T	NPTF

Manual override

Nil: Non-locking push type 	D: Push-turn locking slotted type 	E: Push-turn locking lever type
---------------------------------------	--	--

(Light/Surge voltage suppressor)

Electrical entry for G, H, L, M, W		Electrical entry for D	
Nil	Without light/surge voltage suppressor	Nil	Without light/surge voltage suppressor
S	With surge voltage suppressor	S	With surge voltage suppressor (Non-polar type)
Z	With light/surge voltage suppressor	Z	With light/surge voltage suppressor (Non-polar type)
R	With surge voltage suppressor (Non-polar type)		
U	With light/surge voltage suppressor (Non-polar type)		

* For AC voltage valves there is no "S" option. It is already built-in to the rectifier circuit.
* For "R" and "U", DC voltage is only available.
* Power saving circuit is only available in the "Z" type.

* "DOZ" is not available.
* For AC voltage valves there is no "S" option. It is already built-in to the rectifier circuit.

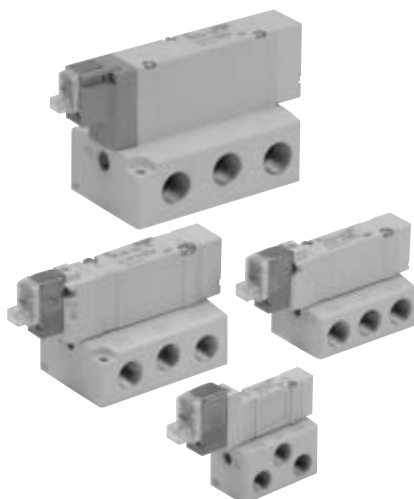
Electrical entry

24, 12, 6, 5, 3 VDC / 100, 110, 200, 220 VAC				24, 12 VDC / 100, 110, 200, 220 VAC	24, 12, 6, 5, 3 VDC
Grommet	L plug connector	M plug connector	MN: Without lead wire	DIN terminal (Except SY3000)	M8 connector
G: Lead wire length 300 mm 	L: With lead wire (Length 300 mm) 	M: With lead wire (Length 300 mm) 	MN: Without lead wire 	D: With connector 	WO: Without connector cable
H: Lead wire length 600 mm 	LN: Without lead wire 	LO: Without connector 	MO: Without connector 	DO: Without connector 	

* "LN", "MN" type: with 2 sockets.
* For DIN terminal of SY3000 series, refer to page 1-4-207.
* DIN terminal type "Y" conforming to DIN43650C standard is also available. For details, refer to page 1-4-201.
* For connector cable of M8 connector, refer to page 1-4-210.

Series SY3000/5000/7000/9000

Specifications



Made to Order Specification
(For details, refer to pages 1-4-188 to 202.)

Series		SY3000	SY5000	SY7000	SY9000
Fluid		Air			
Internal pilot Operating pressure range (MPa)	2 position single	0.15 to 0.7			
	2 position double	0.1 to 0.7			
	3 position	0.2 to 0.7			
External pilot Operating pressure range (MPa)	Operating pressure range		-100 kPa to 0.7		
	Pilot pressure range	2 position single	0.25 to 0.7		
		2 position double	0.25 to 0.7		
		3 position	0.25 to 0.7		
Ambient and fluid temperature (°C)		-10 to 50 (No freezing. Refer to page 1-7-4.)			
Max. operating frequency (Hz)	2 position single, double	10	5	5	5
	3 position	3	3	3	3
Manual override (Manual operation)		Non-locking push type, Push-turn locking slotted type, Push-turn locking lever type			
Pilot exhaust method	Internal pilot	Common exhaust type for main and pilot valve			
	External pilot	Pilot valve individual exhaust			
Lubrication		Not required			
Mounting orientation		Unrestricted			
Impact/Vibration resistance (m/s ²) ^{Note)}		150/30			
Enclosure		Dustproof (* DIN terminal, M8 connector conforms to IP65)			



* Based on IEC529)

Note) Impact resistance: No malfunction occurred when it is tested with a drop tester in the axial direction and at the right angles to the main valve and armature in both energized and de-energized states every once for each condition. (Values at the initial period)

Vibration resistance: No malfunction occurred in a one-sweep test between 45 and 2000 Hz. Test was performed at both energized and de-energized states in the axial direction and at the right angles to the main valve and armature. (Values at the initial period)

SV

SZ

SY

SYJ

SX

Response Time



Note) Based on dynamic performance test, JIS B 8375-1981. (Coil temperature: 20°C, at rated voltage)

SY3000

Type of actuation	Response time (ms) (at the pressure of 0.5 MPa)			
	Without light/surge voltage suppressor		With light/surge voltage suppressor	
	Type S, Z	Type R, U	Type S, Z	Type R, U
2 position single	12 or less	15 or less	12 or less	15 or less
2 position double	10 or less	13 or less	10 or less	13 or less
3 position	15 or less	20 or less	16 or less	20 or less

SY5000

Type of actuation	Response time (ms) (at the pressure of 0.5 MPa)			
	Without light/surge voltage suppressor		With light/surge voltage suppressor	
	Type S, Z	Type R, U	Type S, Z	Type R, U
2 position single	19 or less	26 or less	19 or less	26 or less
2 position double	18 or less	22 or less	18 or less	22 or less
3 position	32 or less	38 or less	32 or less	38 or less

SY7000

Type of actuation	Response time (ms) (at the pressure of 0.5 MPa)			
	Without light/surge voltage suppressor		With light/surge voltage suppressor	
	Type S, Z	Type R, U	Type S, Z	Type R, U
2 position single	31 or less	38 or less	33 or less	40 or less
2 position double	27 or less	30 or less	28 or less	35 or less
3 position	50 or less	56 or less	50 or less	56 or less

SY9000

Type of actuation	Response time (ms) (at the pressure of 0.5 MPa)			
	Without light/surge voltage suppressor		With light/surge voltage suppressor	
	Type S, Z	Type R, U	Type S, Z	Type R, U
2 position single	35 or less	41 or less	35 or less	41 or less
2 position double	35 or less	41 or less	35 or less	41 or less
3 position	62 or less	64 or less	62 or less	64 or less

Solenoid Specifications

Electrical entry		Grommet (G), (H) L plug connector: L M plug connector: M DIN terminal (D) M8 connector (W)	
Coil rated voltage (V)	DC	24, 12, 6, 5, 3	
	AC 50/60Hz	100, 110, 200, 220 *	
Allowable voltage fluctuation (%)		±10% of rated voltage	
Power consumption (W)	DC	Standard 0.35 (with indicator light: 0.4 DIN terminal with indicator light: 0.45)	
	AC	With power saving circuit 0.1 (With indicator light only)	
Apparent power	AC	100 V	1.4 (With indicator light: 1.5)
		110 V [115 V]	1.6 (With indicator light: 1.7) 1.7 (With indicator light: 1.8)
		200 V	2.3 (With indicator light: 2.4)
		220 V [230 V]	2.5 (With indicator light: 2.6) 2.7 (With indicator light: 2.8)
		Surge voltage suppressor	Diode (Varistor is for DIN terminal and Non-polar type.)
Indicator light		LED (AC of DIN terminal is neon bulb.)	



* In common between 110 VAC and 115 VAC, and between 220 VAC and 230 VAC.

* For 115 VAC and 230 VAC, the allowable voltage is -15% to 5% of rated voltage.

Series SY3000/5000/7000/9000

Flow Characteristics/Weight

Series SY3000

Valve model	Type of actuation		Port size	Flow characteristics ^{Note 1)}						Weight (g) ^{Note 2)}		
				1 → 4/2 (P → A/B)			4/2 → 5/3 (A/B → EA/EB)			Grommet	L plug connector, M plug connector	W M8 connector
				C (dm ³ /(s·bar))	b	Cv	C (dm ³ /(s·bar))	b	Cv			
SY3□40-□-01	2 position	Single	1/8	1.0	0.30	0.24	1.1	0.30	0.26	84 (50)	85 (53)	89 (57)
		Double										
	3 position	Closed center		0.77	0.28	0.18	0.85	0.30	0.19			
		Exhaust center		0.73	0.31	0.18	1.1 (0.55)	0.26 (0.52)	0.24 (0.16)			
		Pressure center		1.2 (0.51)	0.24 (0.45)	0.29 (0.14)	0.89	0.47	0.24			

Note 1) [] : Denotes the normal position. Note 2) () : Denotes without sub-plate.

Series SY5000

Valve model	Type of actuation		Port size	Flow characteristics ^{Note 1)}						Weight (g) ^{Note 2)}			
				1 → 4/2 (P → A/B)			4/2 → 5/3 (A/B → EA/EB)			Grommet	L plug connector, M plug connector	DIN terminal	W M8 connector
				C (dm ³ /(s·bar))	b	Cv	C (dm ³ /(s·bar))	b	Cv				
SY5□40-□-02	2 position	Single	1/4	2.4	0.41	0.64	2.8	0.29	0.66	121 (58)	123 (61)	154 (82)	127 (65)
		Double											
	3 position	Closed center		1.8	0.47	0.50	1.8	0.40	0.47				
		Exhaust center		1.4	0.55	0.44	3.0 (1.2)	0.33 (0.48)	0.72 (0.37)				
		Pressure center		3.3 (0.84)	0.36 (0.60)	0.85 (0.28)	1.8	0.40	0.48				

Note 1) [] : Denotes the normal position. Note 2) () : Denotes without sub-plate.

Series SY7000

Valve model	Type of actuation		Port size	Flow characteristics ^{Note 1)}						Weight (g) ^{Note 2)}			
				1 → 4/2 (P → A/B)			4/2 → 5/3 (A/B → EA/EB)			Grommet	L plug connector, M plug connector	DIN terminal	W M8 connector
				C (dm ³ /(s·bar))	b	Cv	C (dm ³ /(s·bar))	b	Cv				
SY7□40-□-02	2 position	Single	1/4	4.1	0.41	1.1	4.1	0.29	1.0	218 (89)	221 (92)	242 (113)	225 (96)
		Double											
	3 position	Closed center		3.0	0.43	0.80	2.6	0.41	0.72				
		Exhaust center		2.6	0.42	0.71	4.7 (1.7)	0.35 (0.48)	1.1 (0.49)				
		Pressure center		5.3 (2.3)	0.39 (0.49)	1.3 (0.65)	2.2	0.49	0.63				

Note 1) [] : Denotes the normal position. Note 2) () : Denotes without sub-plate.

Series SY9000

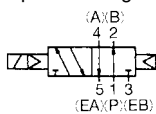
Valve model	Type of actuation		Port size	Flow characteristics ^{Note 1)}						Weight (g) ^{Note 2)}			
				1 → 4/2 (P → A/B)			4/2 → 5/3 (A/B → EA/EB)			Grommet	L plug connector, M plug connector	DIN terminal	W M8 connector
				C (dm ³ /(s·bar))	b	Cv	C (dm ³ /(s·bar))	b	Cv				
SY9□40-□-03	2 position	Single	3/8	7.9	0.34	2.0	9.6	0.43	2.6	469(172)	472(175)	493(196)	476(179)
		Double											
	3 position	Closed center		7.5	0.33	1.8	7.3	0.30	1.7				
		Exhaust center		7.2	0.34	1.7	13 (4.0)	0.23 (0.41)	2.8 (0.95)				
		Pressure center		12 (3.3)	0.26 (0.41)	2.8 (0.84)	6.7	0.40	1.9				

Note 1) [] : Denotes the normal position. Note 2) () : Denotes without sub-plate.

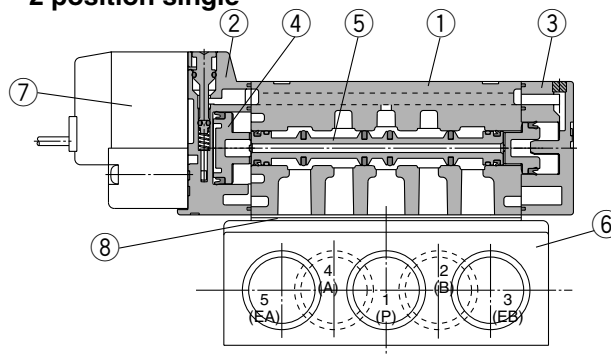
Construction

Series SY

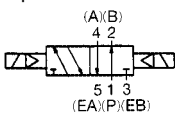
JIS Symbol
2 position single



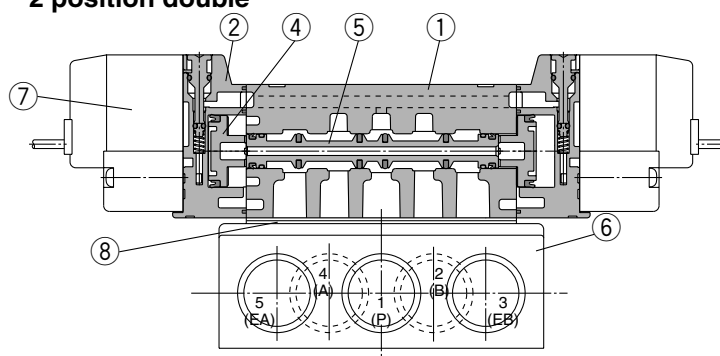
2 position single



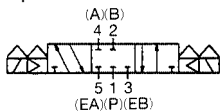
JIS Symbol
2 position double



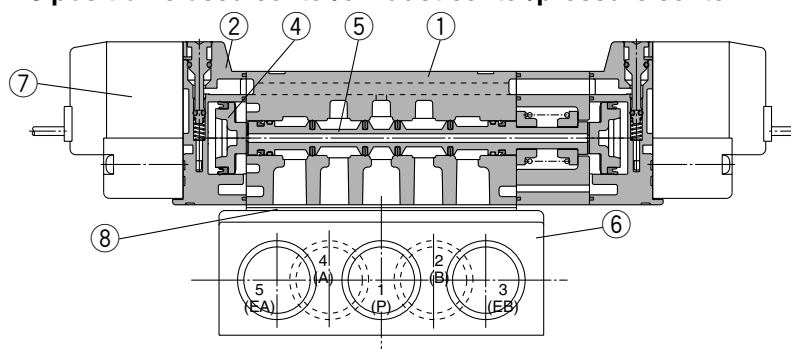
2 position double



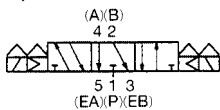
JIS Symbol
3 position closed center



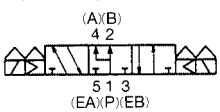
3 position closed center/exhaust center/pressure center



JIS Symbol
3 position exhaust center



JIS Symbol
3 position pressure center



(This figure shows a closed center type.)

Component Parts

No.	Description	Material	Note
①	Body	Aluminum die-casted (SY3000: Zinc die-casted)	White
②	Adapter plate	Resin	White (SY9000: Gray)
③	End plate	Resin	White
④	Piston	Resin	—
⑤	Spool valve assembly	Aluminum, HNBR	—

Replacement Parts

No.	Description	Part no.				Note
		SY3□40	SY5□40	SY7□40	SY9□40	
⑥	Sub-plate	SY3000-27-1*	SY5000-27-1*	1/4: SY7000-27-1* 3/8: SY7000-27-2*	3/8: SY9000-27-1* 1/2: SY9000-27-2*	Aluminum die-casted
⑦	Pilot valve assembly	Refer to "How to Order Pilot Valve Assembly" on page 1-4-187.				
⑧	Gasket	SY3000-11-25	SY5000-11-15	SY7000-11-11	SY9000-11-2	HNBR
—	Round head combination screw	SY3000-23-4 (M2 x 21)	M3 x 26	M4 x 31	SY9000-18-2 (M3 x 42)	For valve mounting (Matt nickel plated)

* Thread type

⚠ Caution

Mounting screw tightening torques

M2: 0.16 N·m
M3: 0.8 N·m
M4: 1.4 N·m

Series SY3000/5000/7000/9000

How to Order Pilot Valve Assembly

V111-5-G

Coil specifications

Nil	Standard: DC specifications
A	Standard: AC specifications
T	With power saving circuit (24 VDC, 12 VDC only)

* Power saving circuit is not available in the case of "D", "DO" or "W□" type.

Rated voltage

5	24 VDC
6	12 VDC
V	6 VDC
S	5 VDC
R	3 VDC
1	100 VAC $\frac{50}{60}$ Hz
2	200 VAC $\frac{50}{60}$ Hz
3	110 VAC $\frac{50}{60}$ Hz [115 VAC $\frac{50}{60}$ Hz]
4	220 VAC $\frac{50}{60}$ Hz [230 VAC $\frac{50}{60}$ Hz]

* For type "W□", DC voltage is only available.

Light/Surge voltage suppressor

Nil	Without light/surge voltage suppressor
S	With surge voltage suppressor
Z	With light/surge voltage suppressor
R	With surge voltage suppressor (Non-polar type)
U	With light/surge voltage suppressor (Non-polar type)

* For AC voltage valves there is no "S" option. It is already built-in to the rectifier circuit.
* For "R" and "U", DC voltage is only available.
* Power saving circuit is only available in the "Z" type.

Electrical entry

G	Grommet, 300 mm lead wire	
H	Grommet, 600 mm lead wire	
L	L plug connector	With lead wire
LN		Without lead wire
LO	Without connector	
M	M plug connector	With lead wire
MN		Without lead wire
MO	Without connector	
WO	M8 connector Without connector cable	

Note) For connector cable of M8 connector, refer to page 1-4-210.

How to Order Connector Assembly for L/M Plug Connector

For DC: SY100-30-4A

For 100 VAC: SY100-30-1A

For 200 VAC: SY100-30-2A

For other voltages of AC: SY100-30-3A

Without lead wire: SY100-30-A

Only connector and sockets (x 2 pcs.)

Lead wire length

Nil	300 mm
6	600 mm
10	1000 mm
15	1500 mm
20	2000 mm
25	2500 mm
30	3000 mm
50	5000 mm

DIN terminal type

V115-5-D

Rated voltage

5	24 VDC
6	12 VDC
1	100 VAC $\frac{50}{60}$ Hz
2	200 VAC $\frac{50}{60}$ Hz
3	110 VAC $\frac{50}{60}$ Hz [115 VAC $\frac{50}{60}$ Hz]
4	220 VAC $\frac{50}{60}$ Hz [230 VAC $\frac{50}{60}$ Hz]

* DC specifications of type "D" and "DO" is only available with 12 and 24 VDC.

Light/Surge voltage suppressor

Nil	Without light/surge voltage suppressor
S	With surge voltage suppressor (Non-polar type)
Z	With light/surge voltage suppressor (Non-polar type)

* "DOZ" is not available.
* For AC voltage valves there is no "S" option. It is already built-in to the rectifier circuit.

Electrical entry

D	DIN terminal	With connector
DO	terminal	Without connector

Note) Do not replace V111 (G, H, L, M) to V115 (DIN terminal) and vice versa when replacing pilot valve assembly only.

How to Order M8 Connector Cable

Straight type

V100-49-1

Cable length

1	300 mm
2	500 mm
3	1000 mm
4	2000 mm
7	5000 mm

Series SY3000/5000/7000/9000

How to Order Interface Regulator

Series SY3000

ARBY3000-05-P-2

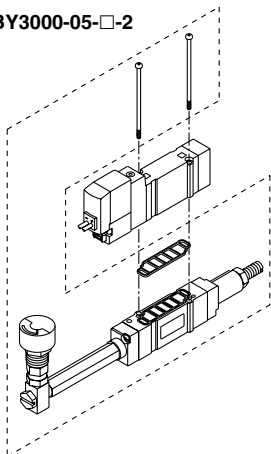
Pressure gauge
connection port

Regulating port

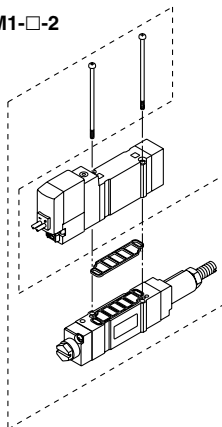
05	Pressure gauge (G15-10-01)
M1	Plug (M-5P)

P	P port
A1	A port (P controlled type, A port regulation)
B1	B port (P controlled type, B port regulation)

ARBY3000-05-□-2



ARBY3000-M1-□-2



Series SY5000

ARBY5000-00-P-2

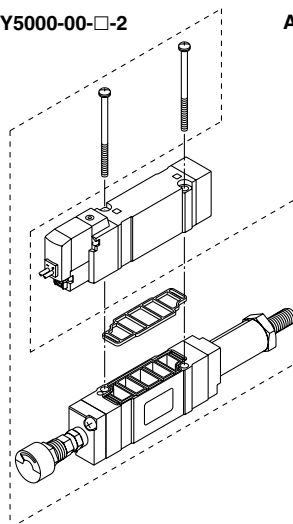
Pressure gauge
connection port

Regulating port

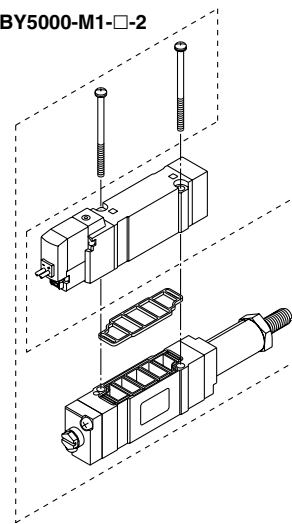
00	Pressure gauge (G15-10-01)
M1	Plug (M-5P)

P	P port
A1	A port (P controlled type, A port regulation)
B1	B port (P controlled type, B port regulation)

ARBY5000-00-□-2



ARBY5000-M1-□-2



Series SY7000

ARBY7000-00-P-2

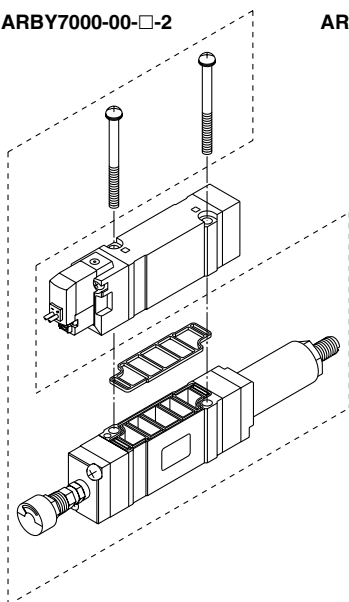
Pressure gauge
connection port

Regulating port

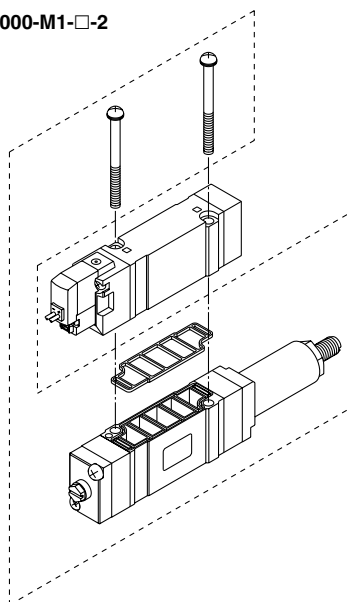
00	Pressure gauge (G15-10-01)
M1	Plug (M-5P)

P	P port
A1	A port (P controlled type, A port regulation)
B1	B port (P controlled type, B port regulation)

ARBY7000-00-□-2



ARBY7000-M1-□-2



Accessory

Series	Round head combination screw	Gasket
ARBY3000	SY3000-23-10 (M2 x 36)	SX3000-57-4
ARBY5000	M3 x 48.5, Matt nickel plated	SX5000-57-6
ARBY7000	M4 x 57, Matt nickel plated	SX7000-57-4

Caution
**Mounting screw
tightening torques**
M2: 0.16 N·m
M3: 0.8 N·m
M4: 1.4 N·m

SV

SZ

SY

SYJ

SX

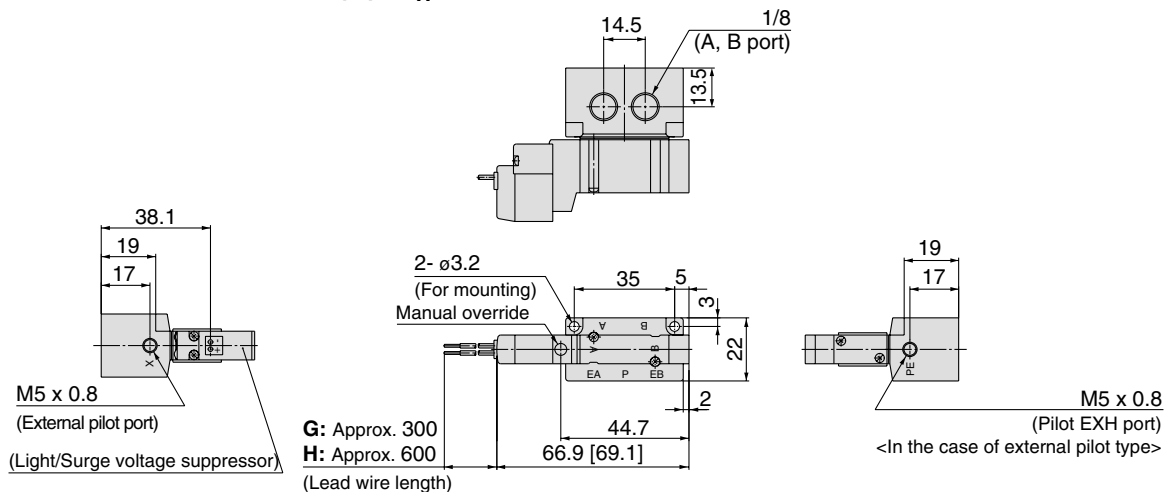
Series SY3000/5000/7000/9000

Dimensions: Series SY3000

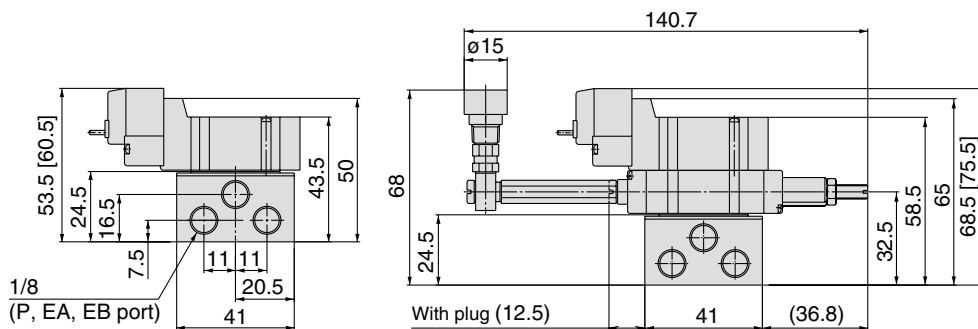


2 position single

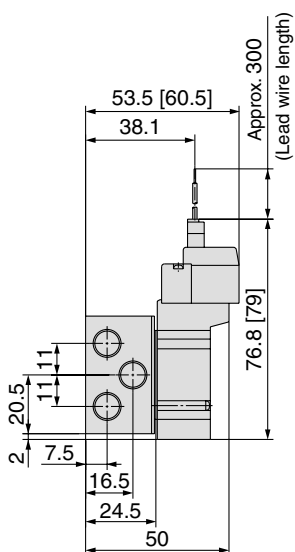
Grommet (G), (H): SY3140(R)-□ $\frac{G}{H}$ □□-01□



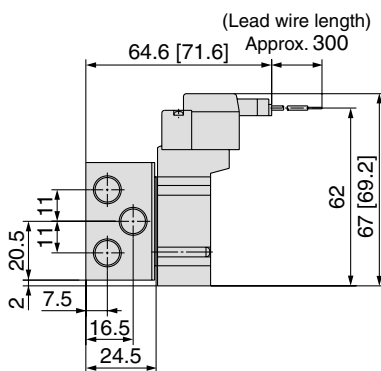
With interface regulator



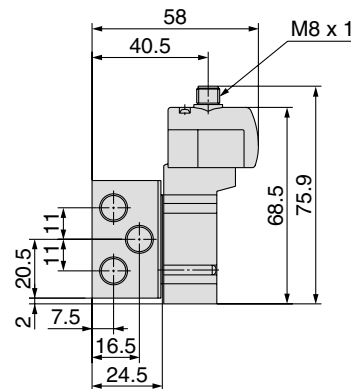
L plug connector (L):
 SY3140(R)-□L□□-01□



M plug connector (M):
 SY3140(R)-□M□□-01□



M8 connector (WO):
 SY3140(R)-□WO□□-01□



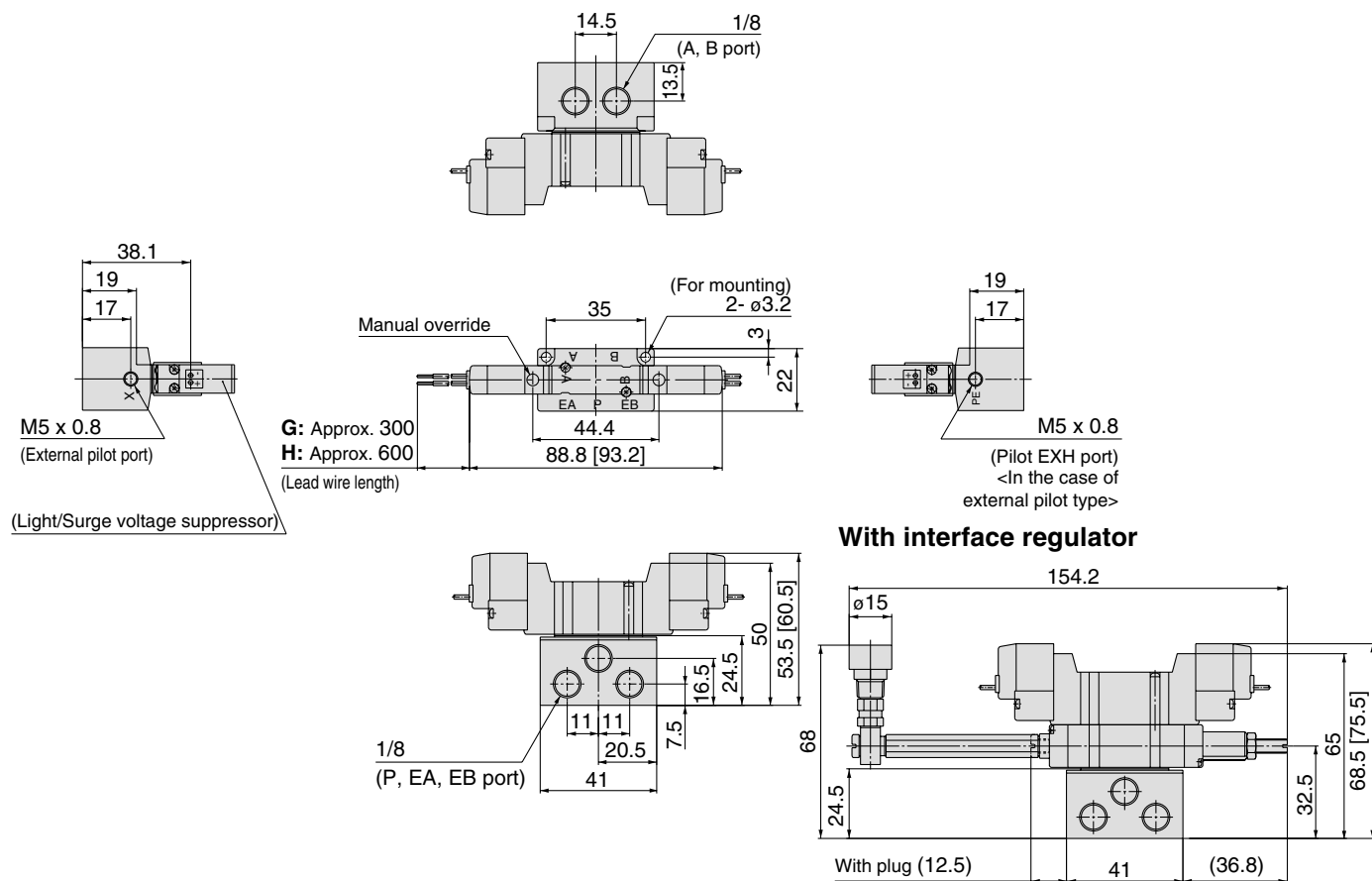
Note) Refer to page 1-4-210 for dimensions of connector types.

Dimensions: Series SY3000



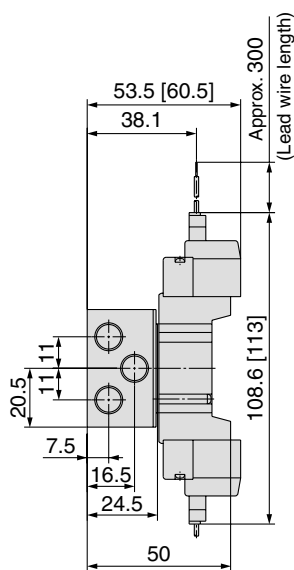
2 position double

Grommet (G), (H): SY3240(R)-□ $\frac{G}{H}$ □□-01□

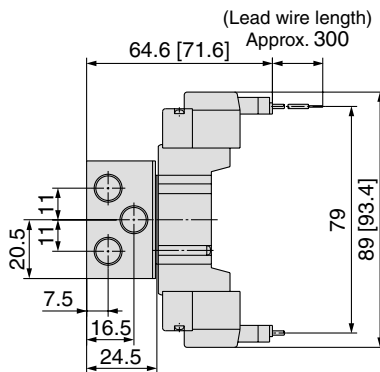


- SV
- SZ
- SY**
- SYJ
- SX

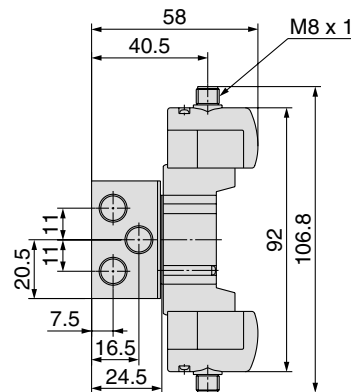
L plug connector (L):
SY3240(R)-□L□□-01□



M plug connector (M):
SY3240(R)-□M□□-01□



M8 connector (WO):
SY3240(R)-□WO□□-01□



Note) Refer to page 1-4-210 for dimensions of connector types.

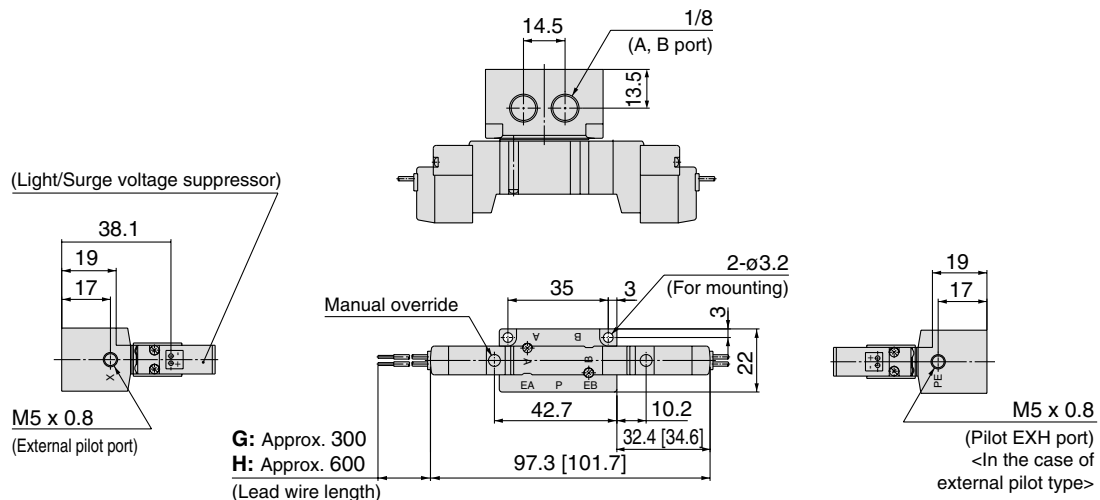
Series SY3000/5000/7000/9000



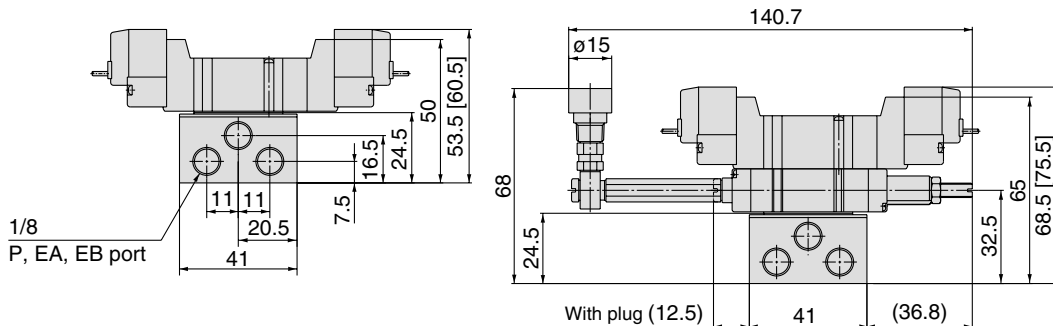
Dimensions: Series SY3000

3 position closed center/exhaust center/pressure center

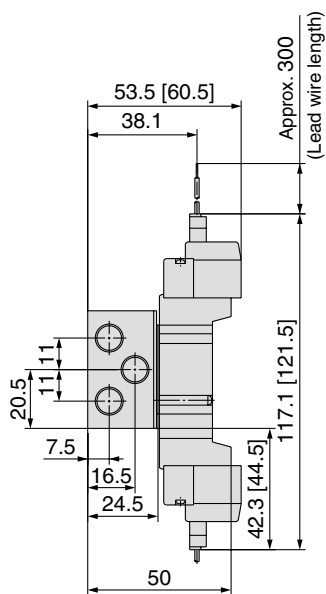
Grommet (G), (H): SY3³/₅40(R)-□G□□-01□



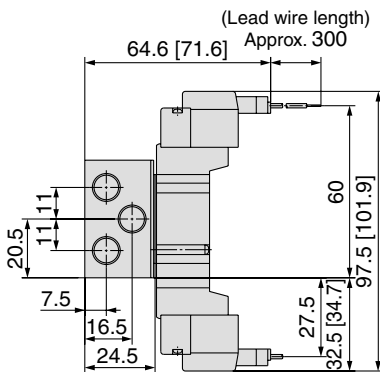
With interface regulator



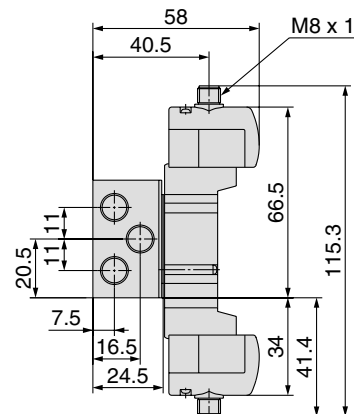
L plug connector (L): SY3³/₅40(R)-□L□□-01□



M plug connector (M): SY3³/₅40(R)-□M□□-01□



M8 connector (WO): SY3³/₅40(R)-□WO□□-01□



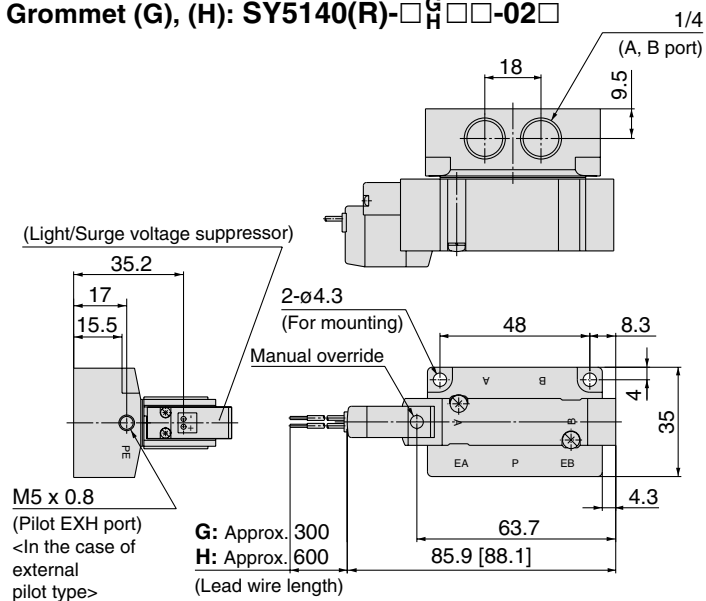
Note) Refer to page 1-4-210 for dimensions of connector types.

Dimensions: Series SY5000

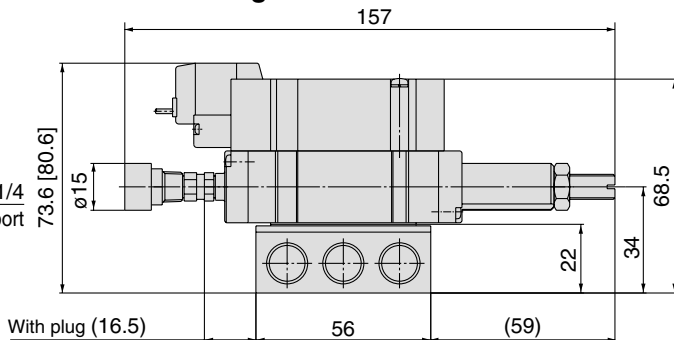


2 position single

Grommet (G), (H): SY5140(R)-□^G_H□□-02□



With interface regulator

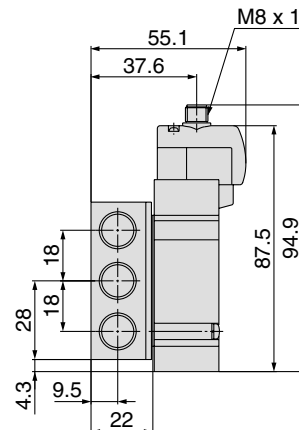
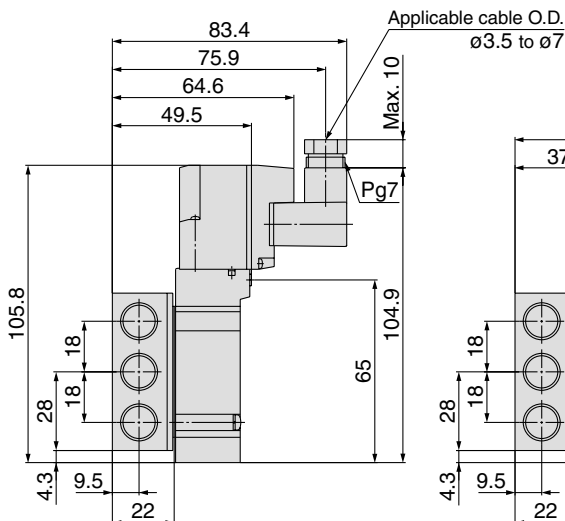
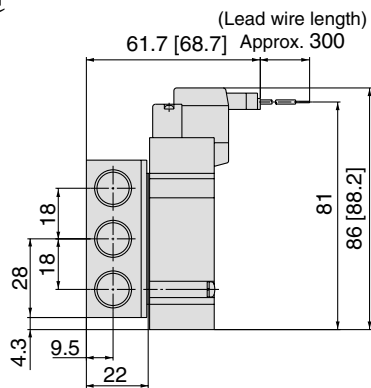
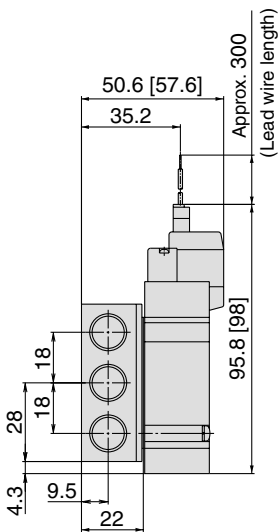


L plug connector (L): SY5140(R)-□L□□-02□

M plug connector (M): SY5140(R)-□M□□-02□

DIN terminal (D): SY5140(R)-□D□□-02□

M8 connector (WO): SY5140(R)-□WO□□-02□



Note) Refer to page 1-4-210 for dimensions of connector types.

- SV
- SZ
- SY**
- SYJ
- SX

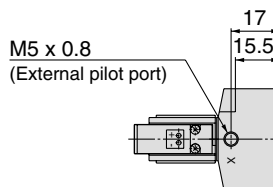
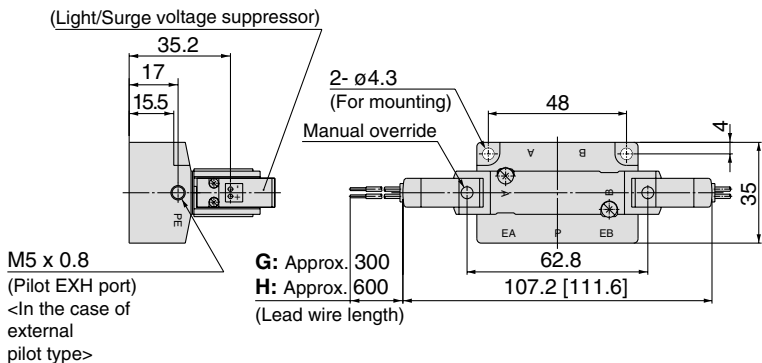
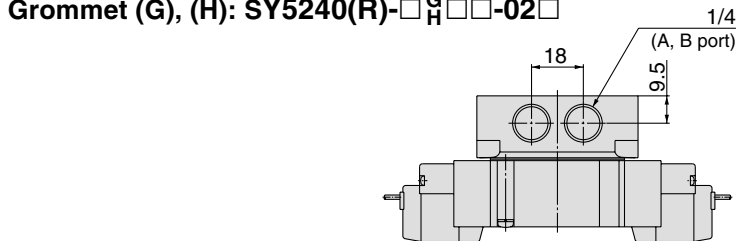
Series SY3000/5000/7000/9000

Dimensions: Series SY5000



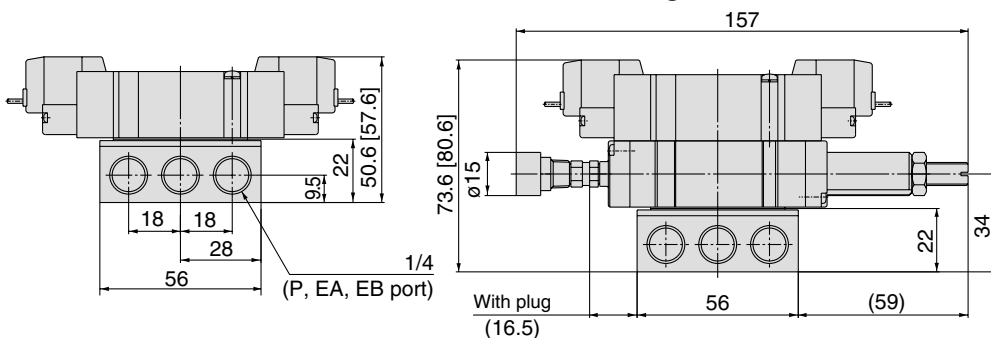
2 position double

Grommet (G), (H): SY5240(R)-□_G□□-02□



M5 x 0.8 (Pilot EXH port) <In the case of external pilot type>

With interface regulator

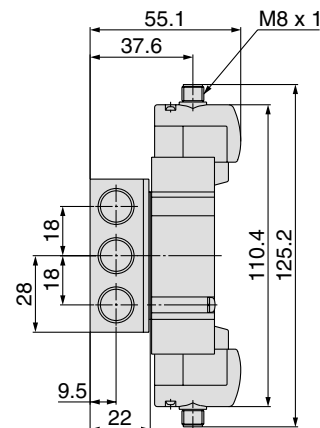
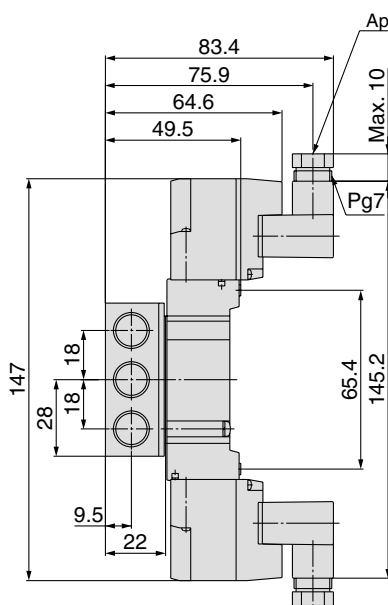
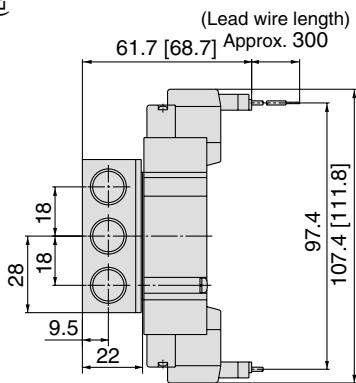
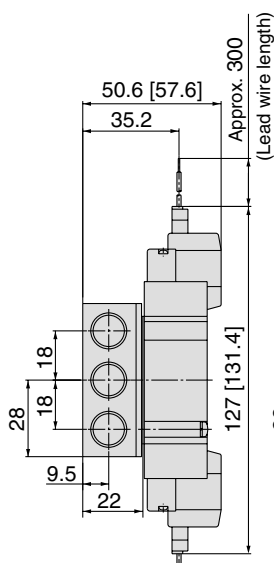


L plug connector (L): SY5240(R)-□L□□-02□

M plug connector (M): SY5240(R)-□M□□-02□

DIN terminal (D): SY5240(R)-□D□□-02□

M8 connector (WO): SY5240(R)-□WO□□-02□



Note) Refer to page 1-4-210 for dimensions of connector types.

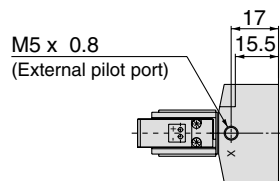
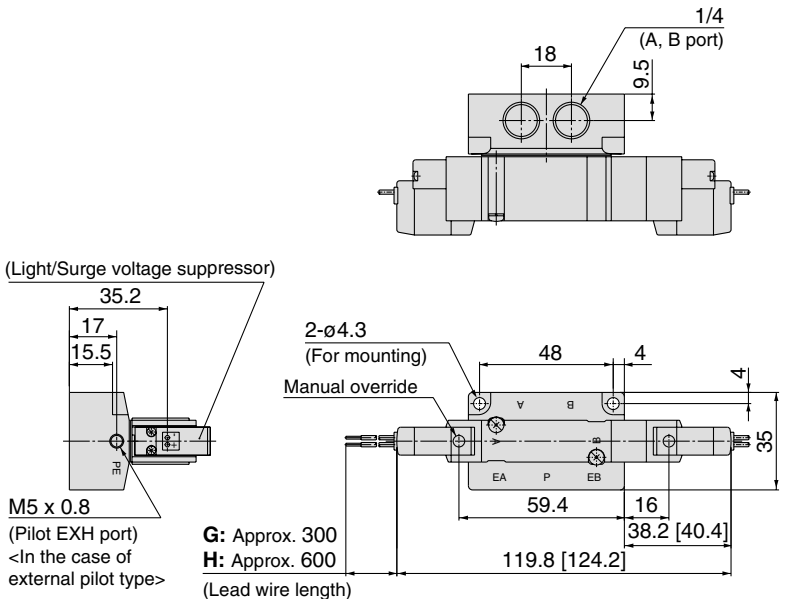
Series SY3000/5000/7000/9000

Dimensions: Series SY5000

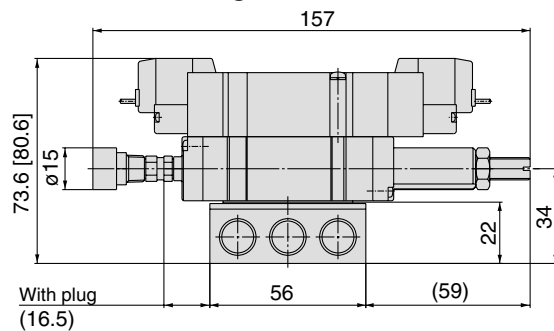


3 position closed center/exhaust center/pressure center

Grommet (G), (H): SY5³/₅40(R)-□G□□-02□



With interface regulator

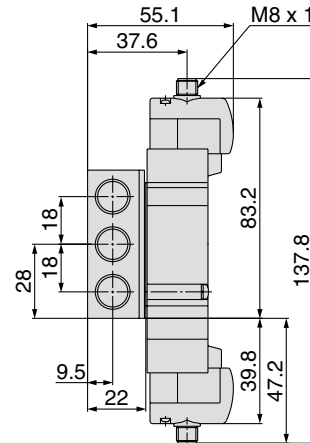
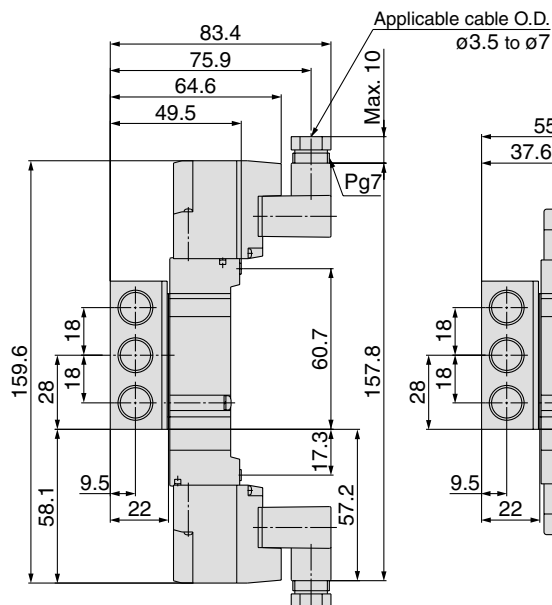
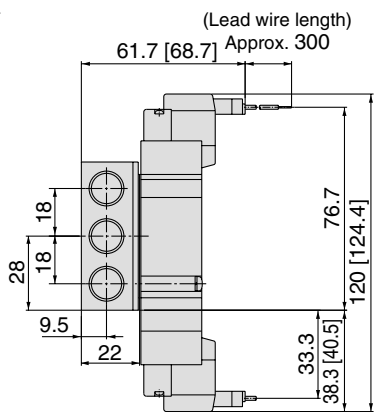
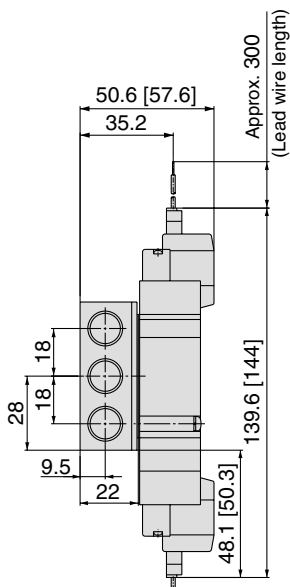


L plug connector (L): SY5³/₅40(R)-□L□□-02□

M plug connector (M): SY5³/₅40(R)-□M□□-02□

DIN terminal (D): SY5³/₅40(R)-□D□□-02□

M8 connector (WO): SY5³/₅40(R)-□WO□□-02□



Note) Refer to page 1-4-210 for dimensions of connector types.

- SV
- SZ
- SY**
- SYJ
- SX

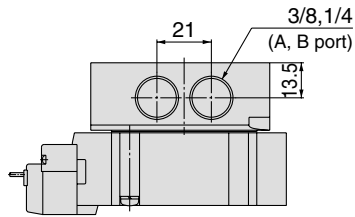
Series SY3000/5000/7000/9000

Dimensions: Series SY7000

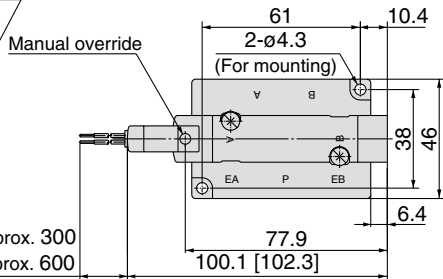
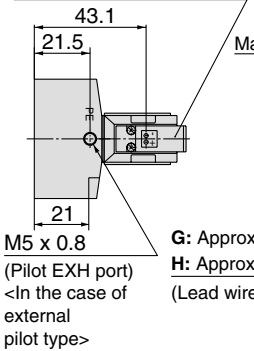


2 position single

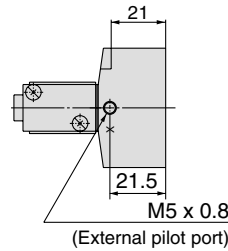
Grommet (G), (H): SY7140(R)-□G□□-02□□



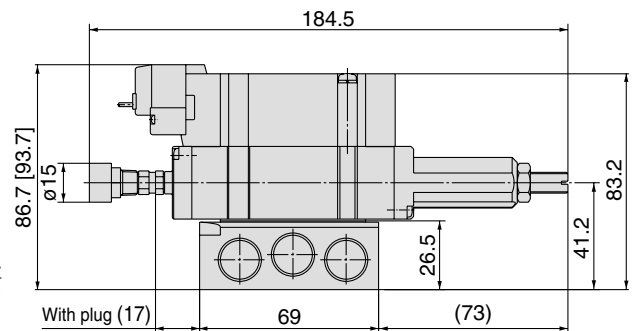
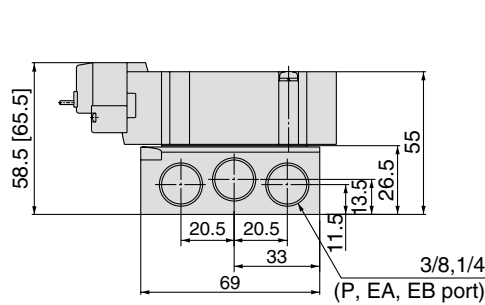
(Light/Surge voltage suppressor)



G: Approx. 300
H: Approx. 600
(Lead wire length)



With interface regulator

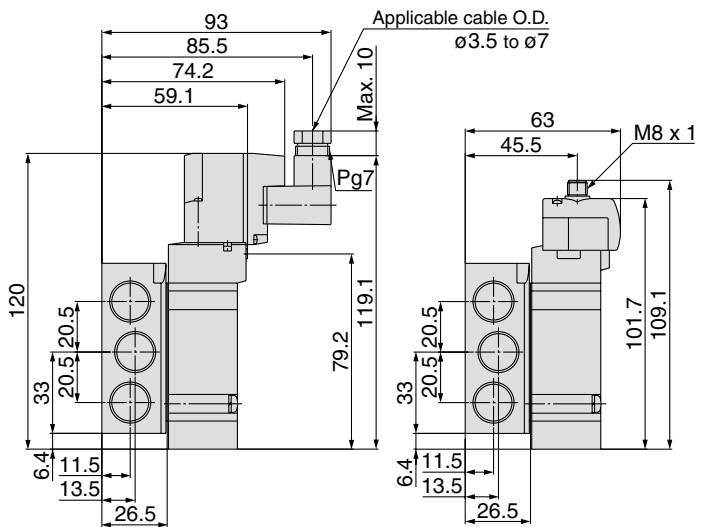
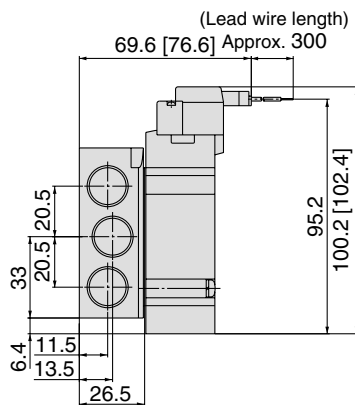
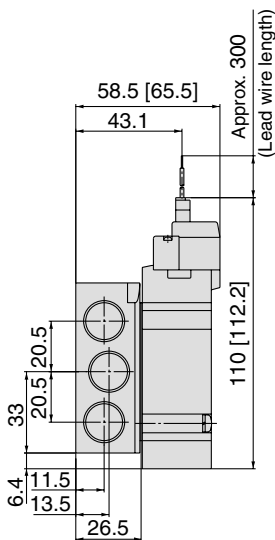


L plug connector (L): SY7140(R)-□L□□-02□□

M plug connector (M): SY7140(R)-□M□□-02□□

DIN terminal (D): SY7140(R)-□D□□-02□□

M8 connector (WO): SY7140(R)-□WO□□-02□□



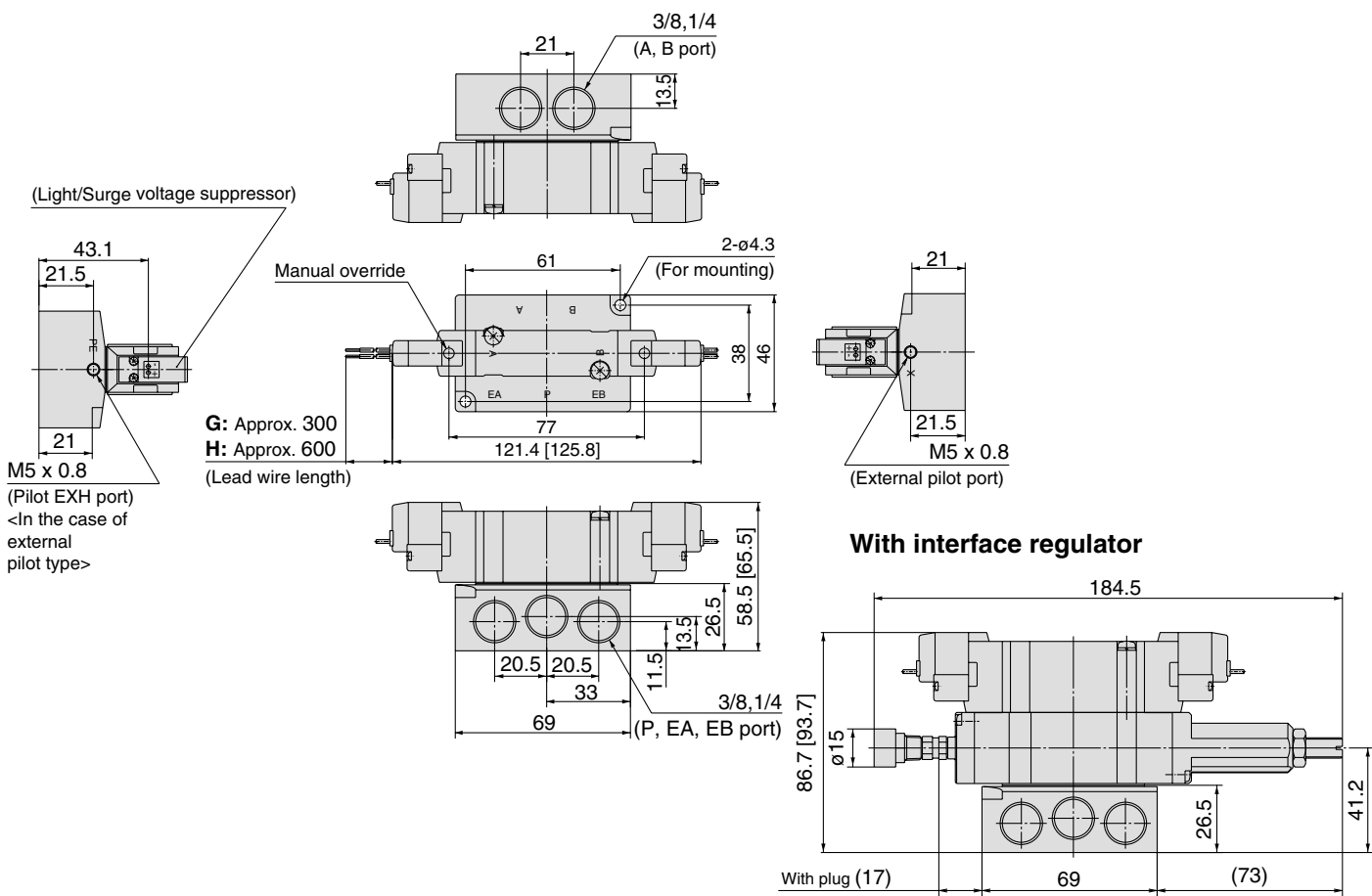
Note) Refer to page 1-4-210 for dimensions of connector types.

Dimensions: Series SY7000



2 position double

Grommet (G), (H): SY7240(R)-□G□□-02□
 H□□-03□



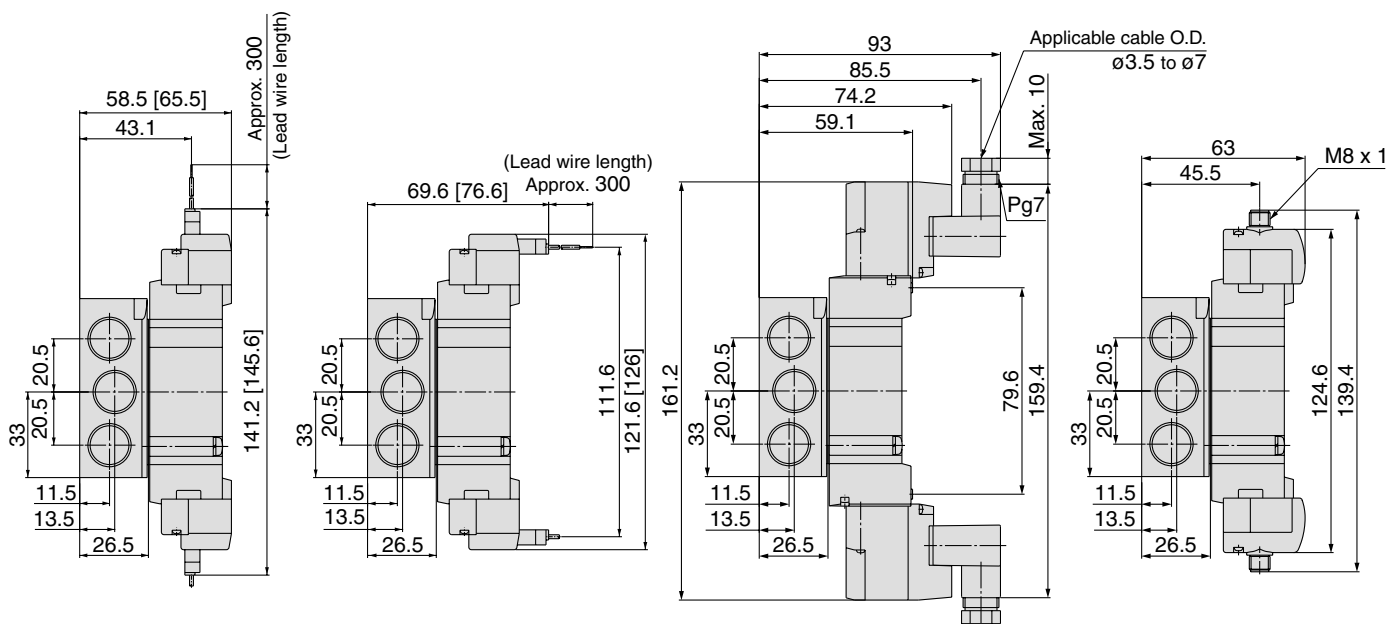
- SV
- SZ
- SY**
- SYJ
- SX

L plug connector: L
 SY7240(R)-□L□□-02□
 H□□-03□

M plug connector: M
 SY7240(R)-□M□□-02□
 H□□-03□

DIN terminal (D):
 SY7240(R)-□D□□-02□
 H□□-03□

M8 connector (WO):
 SY7240(R)-□WO□□-02□
 H□□-03□



Note) Refer to page 1-4-210 for dimensions of connector types.

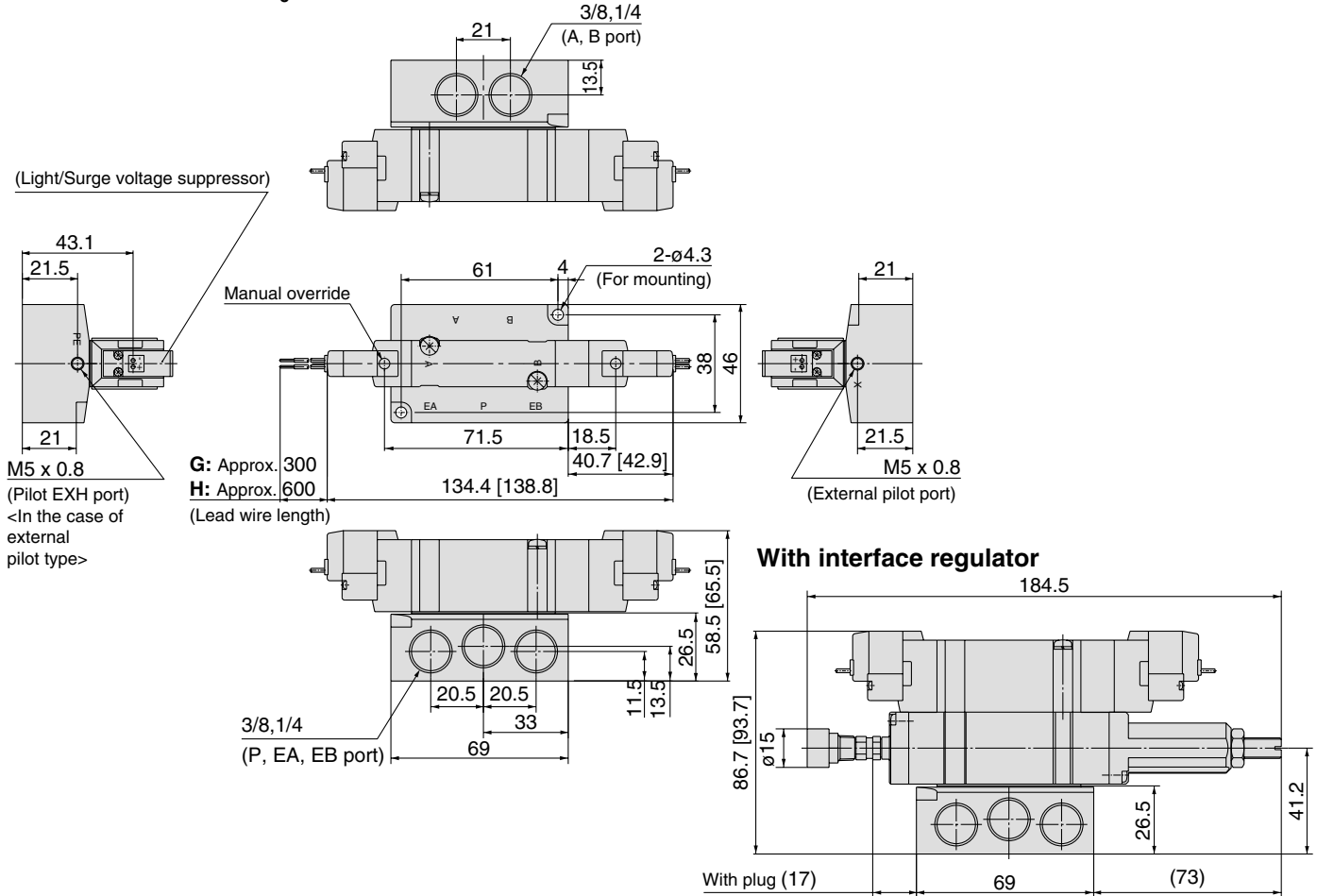
Series SY3000/5000/7000/9000

Dimensions: Series SY7000

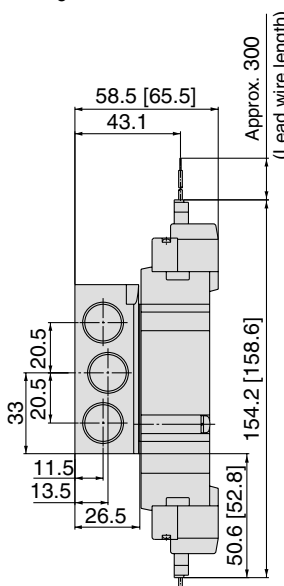


3 position closed center/exhaust center/pressure center

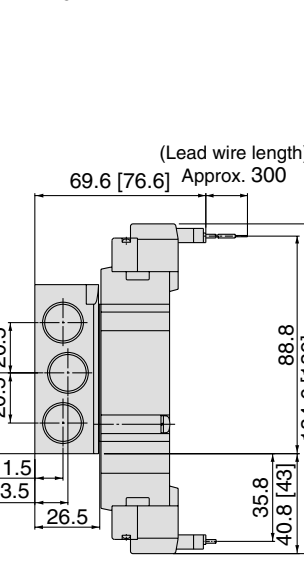
Grommet (G), (H): SY7³/₅40(R)-□G□□-02□□



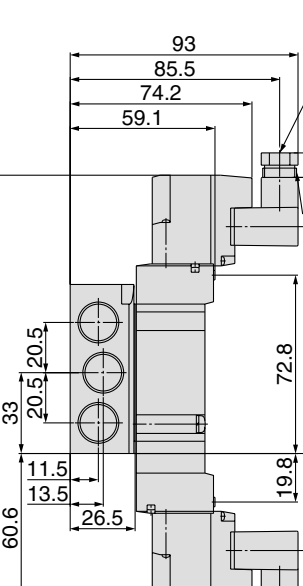
L plug connector: L
SY7³/₅40(R)-□L□□-02□□



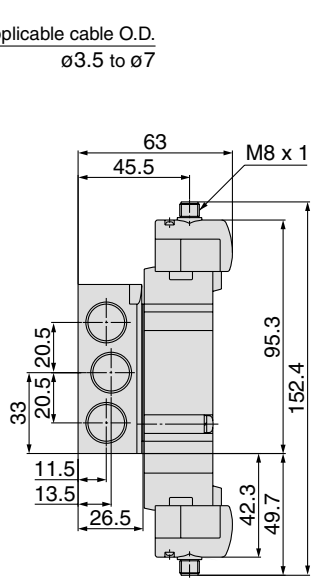
M plug connector: M
SY7³/₅40(R)-□M□□-02□□



DIN terminal (D):
SY7³/₅40(R)-□D□□-02□□



M8 connector (WO):
SY7³/₅40(R)-□WO□□-02□□



Note) Refer to page 1-4-210 for dimensions of connector types.

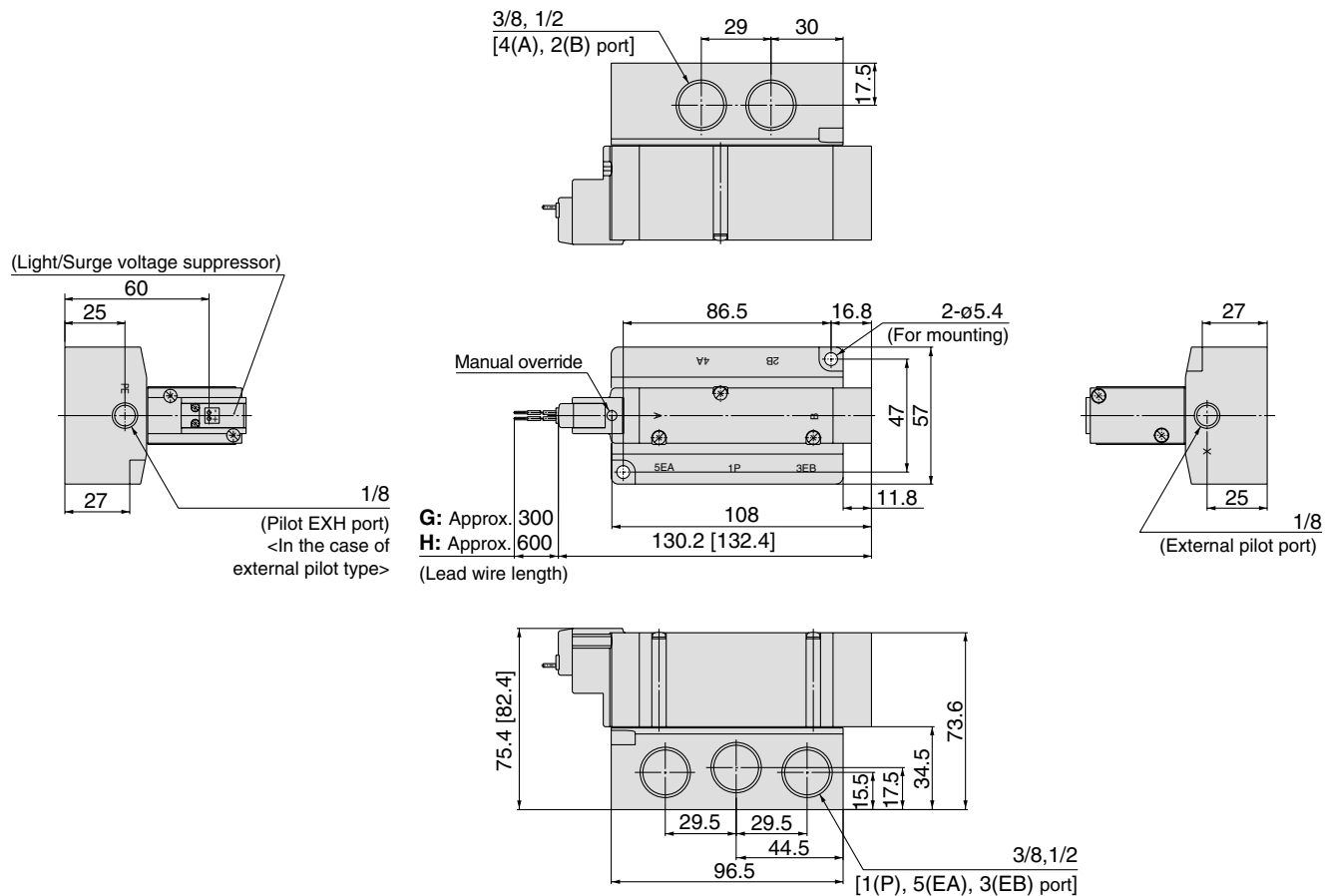


Dimensions: Series SY9000



2 position single

Grommet (G), (H): SYJ9140-□^G_H□□-03□



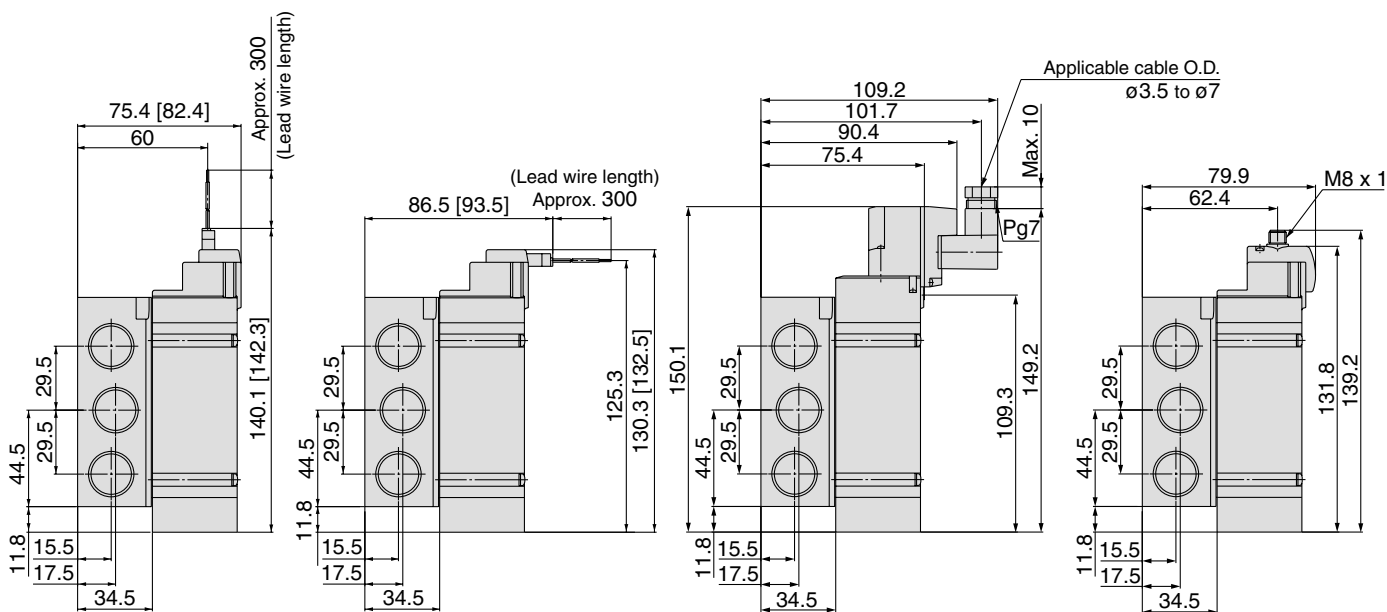
- SV
- SZ
- SY**
- SYJ
- SX

L plug connector (L):
SY9140(R)-□L□□-03□

M plug connector (M):
SY9140(R)-□M□□-03□

DIN terminal (D):
SY9140(R)-□D□□-03□

M8 connector (WO):
SY9140(R)-□WO□□-03□



Note) Refer to page 1-4-210 for dimensions of connector types.

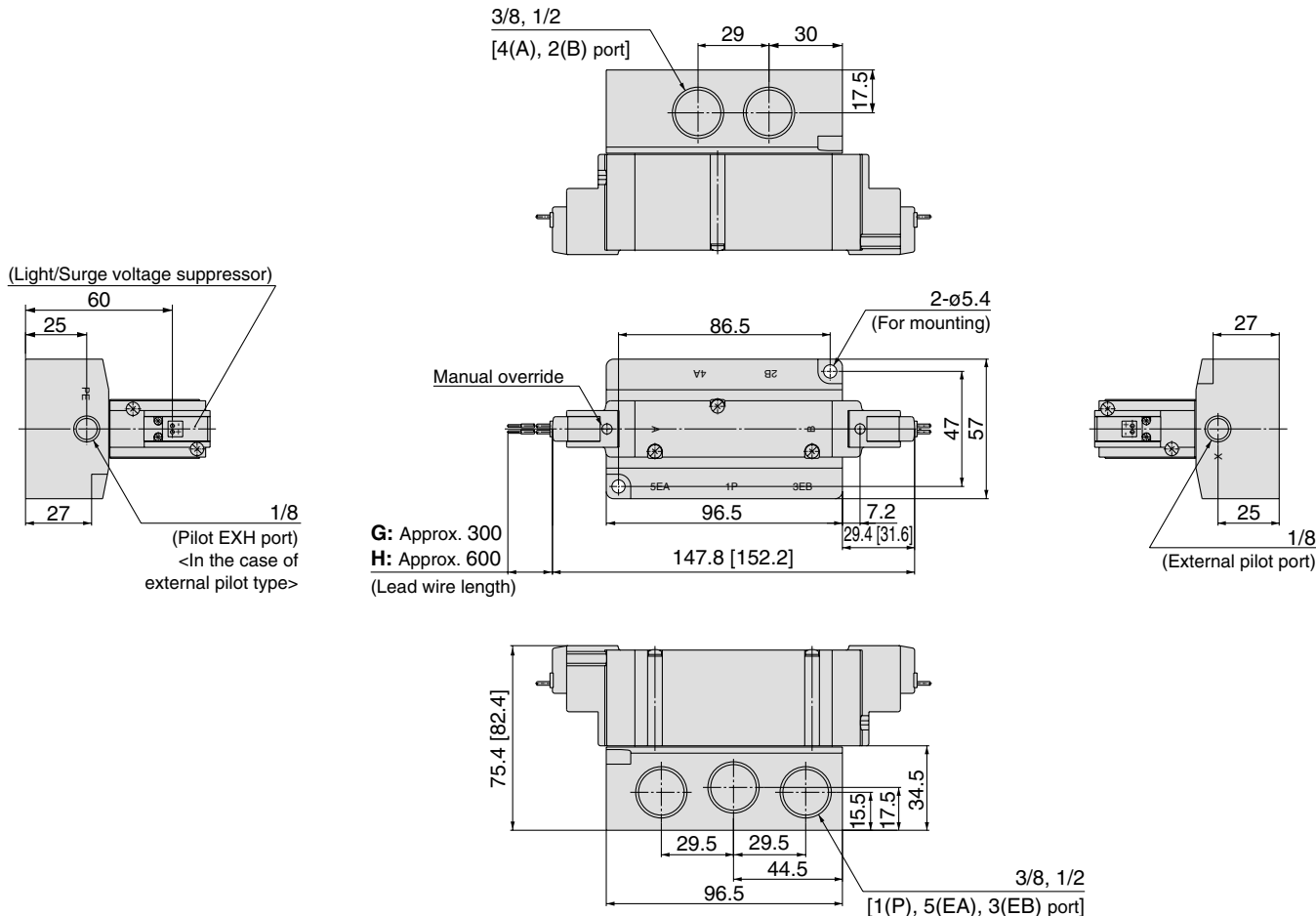
Series SY3000/5000/7000/9000

Dimensions: Series SY9000



2 position double

Grommet (G), (H): SY9240(R)-□^G_H□□-03□₀₄□

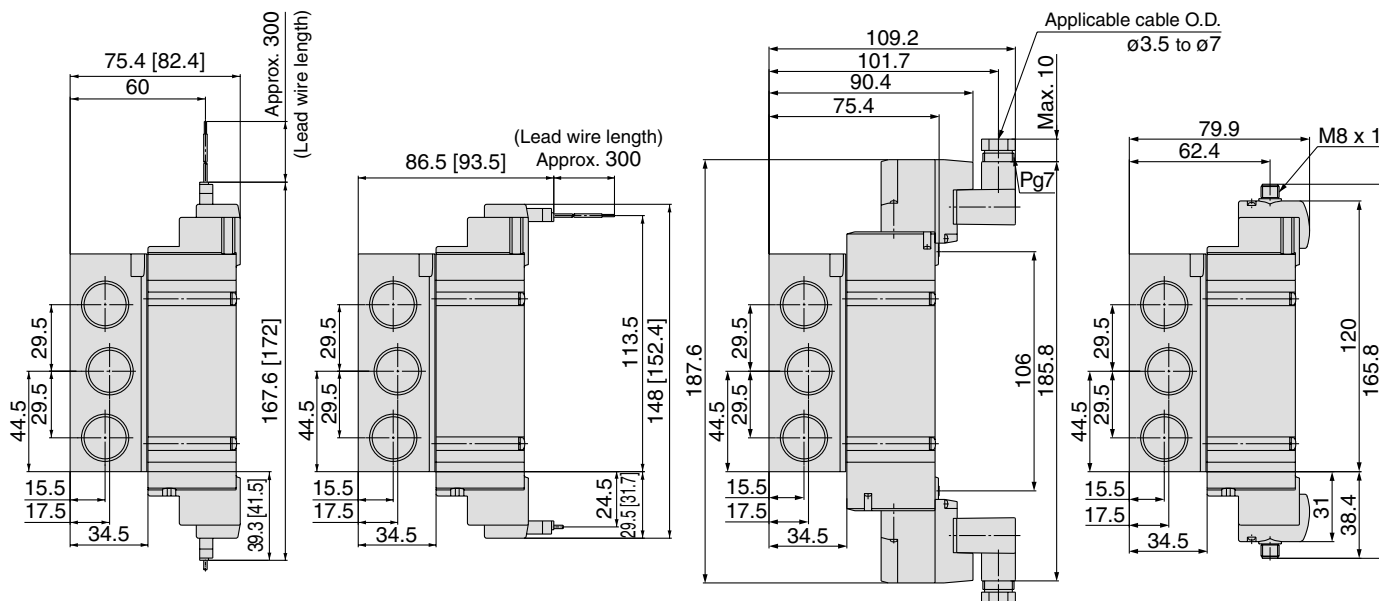


L plug connector (L):
SY9240(R)-□L□□-03□₀₄□

M plug connector (M):
SY9240(R)-□M□□-03□₀₄□

DIN terminal (D):
SY9240(R)-□D□□-03□₀₄□

M8 connector (WO):
SY9240(R)-□WO□□-03□₀₄□



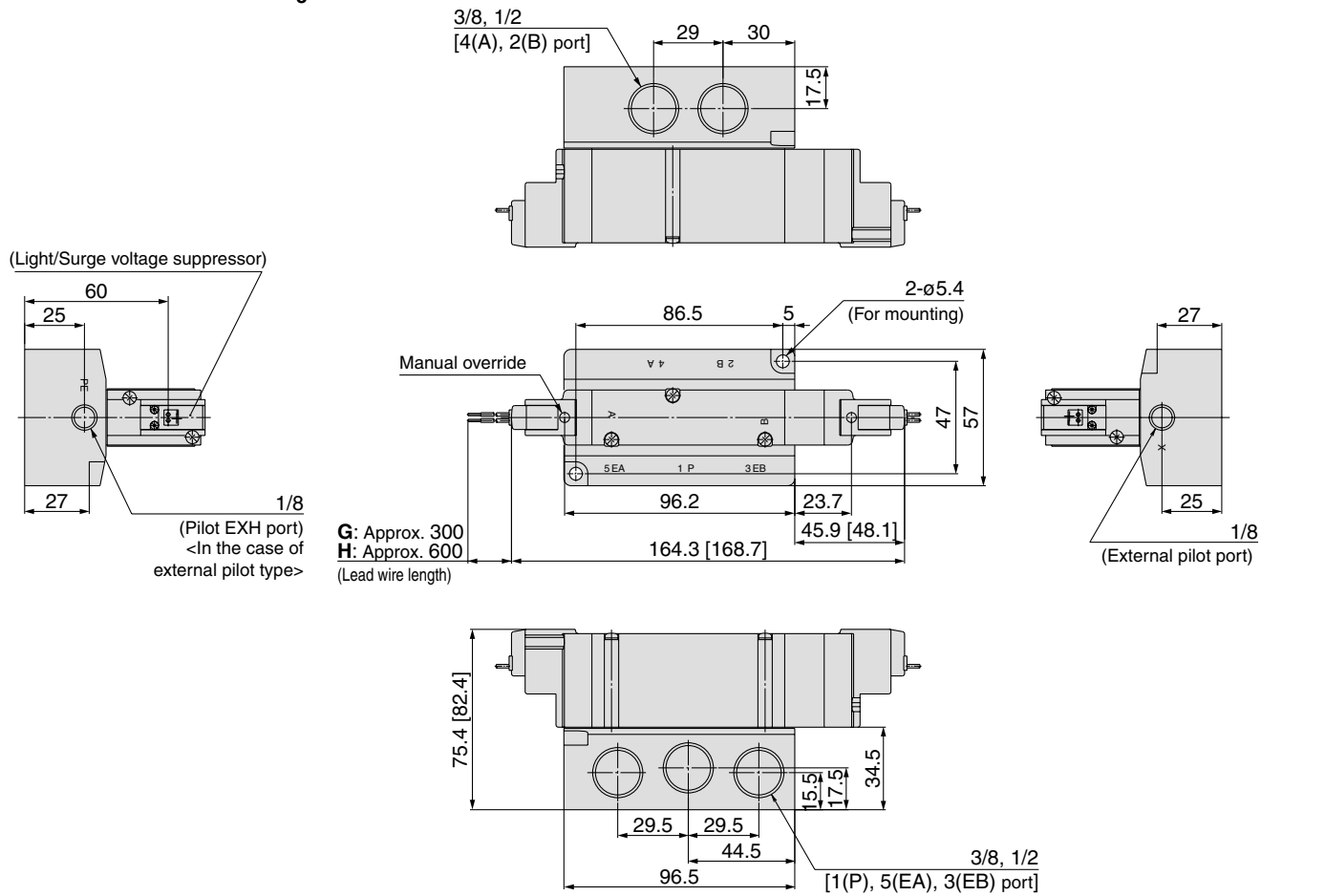
Note) Refer to page 1-4-210 for dimensions of connector types.

Dimensions: Series SY9000



3 position closed center/exhaust center/pressure center

Grommet (G), (H): SY9³₅40-□G□□-⁰³₀₄□



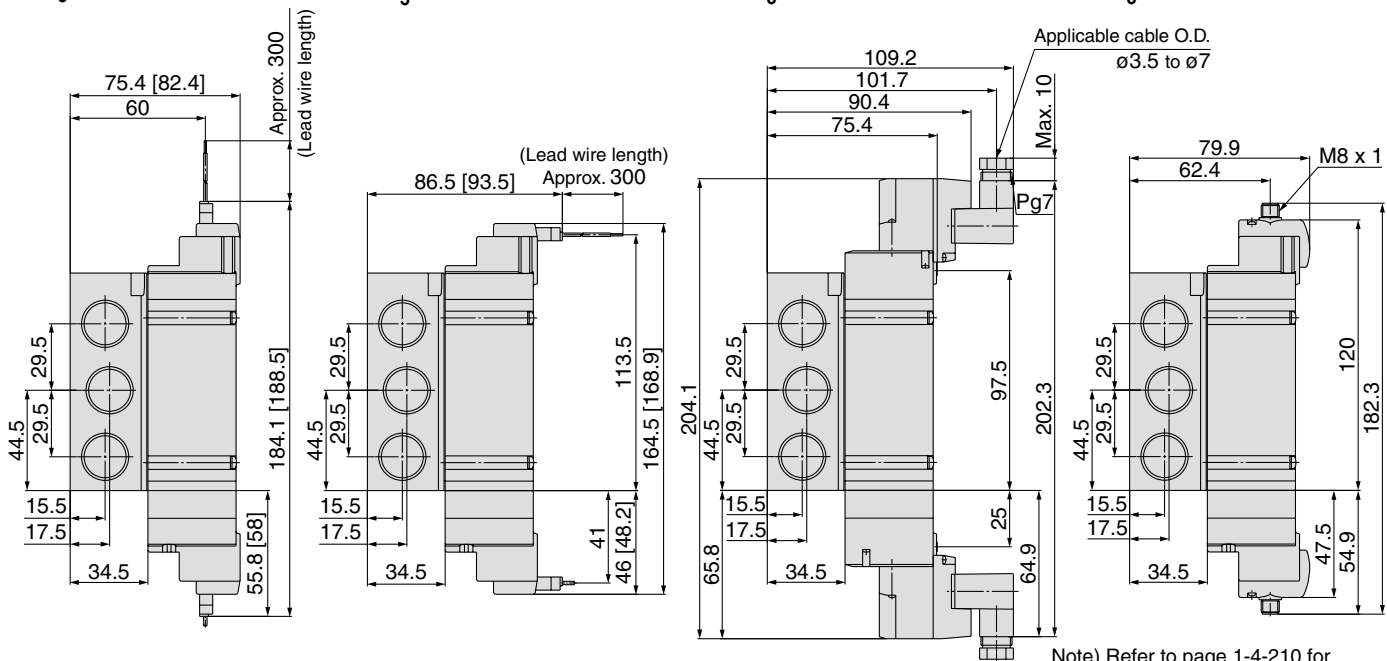
- SV
- SZ
- SY**
- SYJ
- SX

L plug connector (L):
SY9³₅40(R)-□L□□-⁰³₀₄□

M plug connector (M):
SY9³₅40(R)-□M□□-⁰³₀₄□

DIN terminal (D):
SY9³₅40(R)-□D□□-⁰³₀₄□

M8 connector (WO):
SY9³₅40(R)-□WO□□-⁰³₀₄□

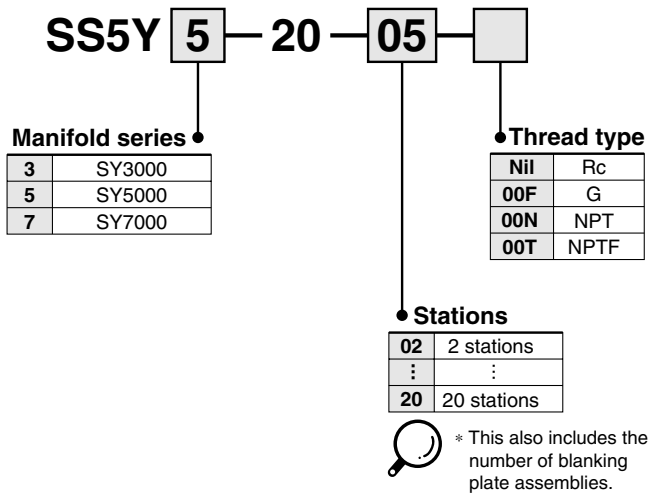


Note) Refer to page 1-4-210 for dimensions of connector types.

Series SY3000/5000/7000 Body Ported Manifold Bar Stock Type Individual Wiring

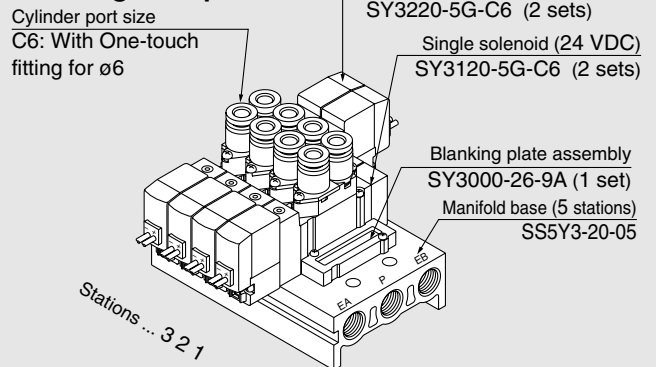
Type **20**

How to Order Manifold



How to Order Valve Manifold Assembly

Ordering example



SS5Y3-20-05	1 set (Type 20, 5 stations manifold base part no.)
* SY3000-26-9A	1 set (Blanking plate assembly part no.)
* SY3120-5G-C6	2 sets (Single solenoid part no.)
* SY3220-5G-C6	2 sets (Double solenoid part no.)

* The asterisk denotes the symbol for assembly.
Prefix it to the part nos. of the solenoid valve, etc

Add the valve and option part number under the manifold base part number.
In the case of complex arrangement, specify them on the manifold specification sheet.

How to Order Valves

SY 5 1 20 [] 5 L [] [] 01 []

Series

3	SY3000
5	SY5000
7	SY7000

Type of actuation

1	2 position single
2	2 position double
3	3 position closed center
4	3 position exhaust center
5	3 position pressure center

Coil specifications

Nil	Standard
T	With power saving circuit (24 VDC, 12 VDC only)



* Power saving circuit is not available in the case of "D", "DO" or "W□" type.

Rated voltage

DC		AC (50/60 Hz)	
5	24 VDC	1	100 VAC
6	12 VDC	2	200 VAC
V	6 VDC	3	110 VAC [115 VAC]
S	5 VDC	4	220 VAC [230 VAC]
R	3 VDC		



* DC specifications of type "D" and "DO" is only available with 12 and 24 VDC.
* For type "W□", DC voltage is only available.

Electrical entry

24, 12, 6, 5, 3 VDC/ 100, 110, 200, 220 VAC			24, 12 VDC/ 100, 110, 200, 220 VAC	24, 12, 6, 5, 3 VDC
Grommet	L plug connector	M plug connector	DIN terminal	M8 connector
G: Lead wire length 300 mm	L: With lead wire (Length 300 mm)	M: With lead wire (Length 300 mm)	D: With connector	WO: Without connector cable
H: Lead wire length 600 mm	LN: Without lead wire	MN: Without lead wire	DO: Without connector	
	LO: Without connector	MO: Without connector		



* "LN", "MN" type: with 2 sockets.
* For DIN terminal of SY3000 series, refer to page 1-4-207.
* DIN terminal type "Y" conforming to DIN4365C standard is also available. For details, refer to catalog on page 1-4-201.
* For connector cable of M8 connector, refer to page 1-4-209.

Thread type

Nil	Rc
F	G
N	NPT
T	NPTF

A, B port size Thread piping

Symbol	Port size	Applicable series
M5	M5 x 0.8	SY3000
01	1/8	SY5000
02	1/4	SY7000

One-touch fitting (Metric size)

Symbol	Port size	Applicable series
C4	One-touch fitting for ø4	SY3000
C6	One-touch fitting for ø6	
C4	One-touch fitting for ø4	
C6	One-touch fitting for ø6	SY5000
C8	One-touch fitting for ø8	
C8	One-touch fitting for ø8	SY7000
C10	One-touch fitting for ø10	

One-touch fitting (Inch size)

Symbol	Port size	Applicable series
N3	One-touch fitting for ø5/32"	SY3000
N7	One-touch fitting for ø1/4"	
N3	One-touch fitting for ø5/32"	
N7	One-touch fitting for ø1/4"	SY5000
N9	One-touch fitting for ø5/16"	
N9	One-touch fitting for ø5/16"	SY7000
N11	One-touch fitting for ø3/8"	

Manual override

Nil	Non-locking push type
D	Push-turn locking slotted type
E	Push-turn locking lever type

Light/Surge voltage suppressor Electrical entry for G, H, L, M, W

Nil	Without light/surge voltage suppressor
S	With surge voltage suppressor
Z	With light/surge voltage suppressor
R	With surge voltage suppressor (Non-polar type)
U	With light/surge voltage suppressor (Non-polar type)



* For AC voltage valves there is no "S" option. It is already built-in to the rectifier circuit.

* For "R" and "U", DC voltage is only available.

* Power saving circuit is only available in the "Z" type.

Electrical entry for D

Nil	Without light/surge voltage suppressor
S	With surge voltage suppressor (Non-polar type)
Z	With light/surge voltage suppressor (Non-polar type)



* "DOZ" is not available.

* For AC voltage valves there is no "S" option. It is already built-in to the rectifier circuit.



Note) When placing an order for body ported solenoid valve as a single unit, mounting bolt for manifold and gasket are not attached. Order them separately, if necessary. (For details, refer to catalog on page 1-4-61.)

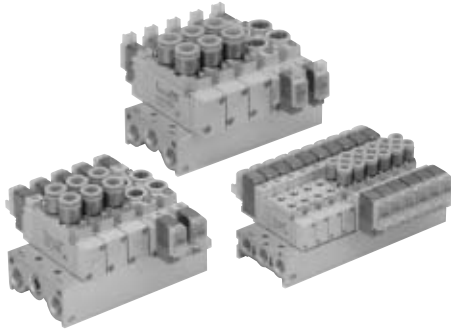
SV

SZ

SY


SYJ

SX



Manifold Specifications


Model	SS5Y3-20	SS5Y5-20	SS5Y7-20	
Applicable valve	SY3□20	SY5□20	SY7□20	
Manifold type	Single base/B mount			
P (SUP)/R (EXH)	Common SUP, Common EXH			
Valve stations	2 to 20 stations ^{Note 1)}			
A, B port location	Valve			
Port size	P, EA, EB port	1/8	1/4	1/4
	A, B port	M5 x 0.8 C4 (One-touch fitting for ø4) C6 (One-touch fitting for ø6)	1/8 C4 (One-touch fitting for ø4) C6 (One-touch fitting for ø6) C8 (One-touch fitting for ø8)	1/4 C8 (One-touch fitting for ø8) C10 (One-touch fitting for ø10)
Manifold base weight W (g) n: Stations	W = 13n + 35	W = 36n + 64	W = 43n + 64	

 Note 1) For more than 10 stations (more than 5 stations in the case of SS5Y7), supply pressure to P port on both sides and exhaust from EA/EB port on both sides.

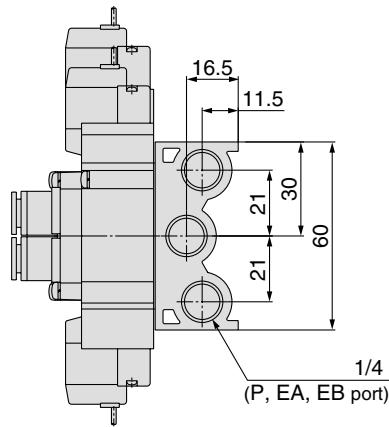
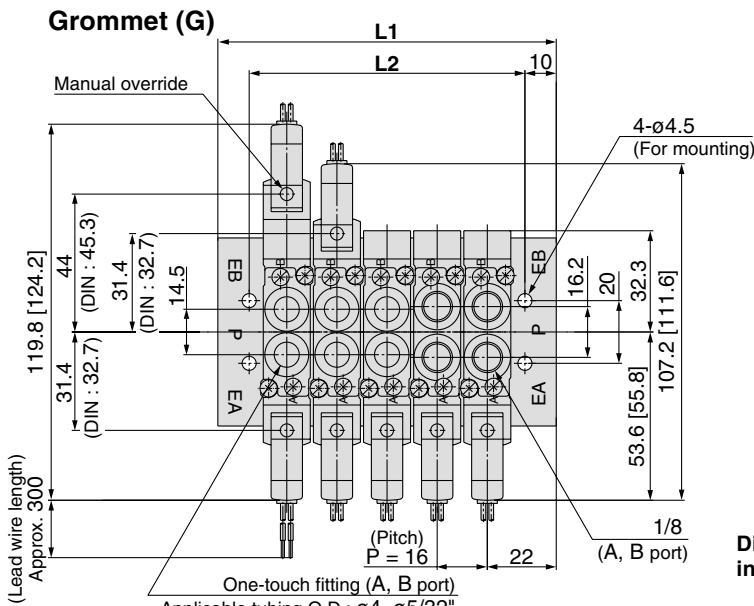
Note 2) Refer to "Manifold Option" on page 1-4-61.

Flow Characteristics

Model	Port size		Flow characteristics					
	1, 5, 3 (P, EA, EB)	4, 2 (A, B)	1 → 4/2 (P → A/B)			4/2 → 5/3 (A/B → EA/EB)		
			C (dm ³ /(s·bar))	b	Cv	C (dm ³ /(s·bar))	b	Cv
SS5Y3-20	1/8	C6	0.72	0.29	0.18	0.80	0.36	0.21
SS5Y5-20	1/4	C8	1.9	0.28	0.48	2.2	0.20	0.53
SS5Y7-20	1/4	C10	3.6	0.31	0.93	3.6	0.27	0.88

 Note) The value is for manifold base with 5 stations and individually operated 2 position type.

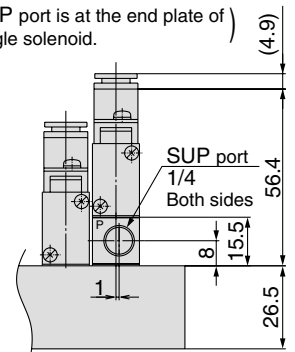
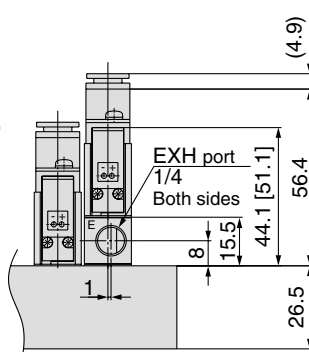
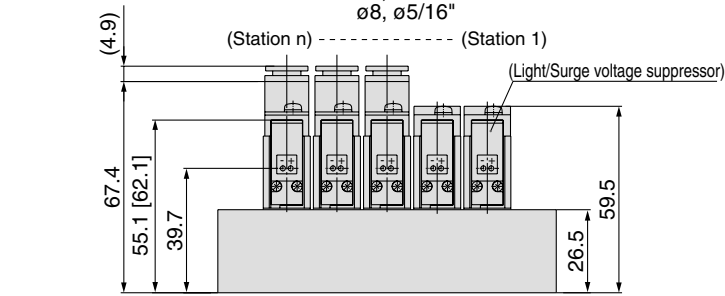
SY5000: SS5Y5-20- Stations -



Dimensions when mounting individual EXH spacer

Dimensions when mounting individual SUP spacer

(SUP port is at the end plate of single solenoid.)

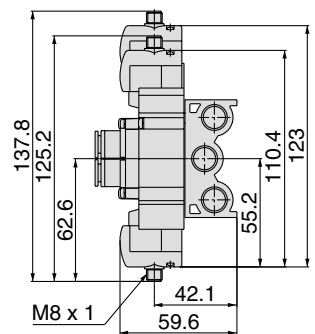
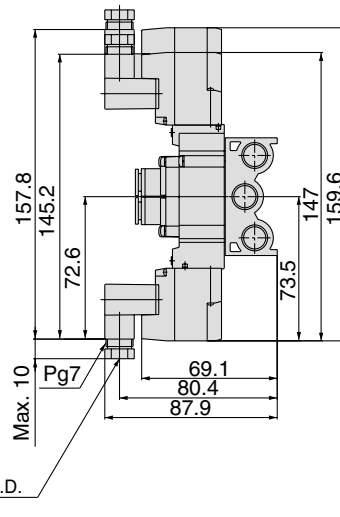
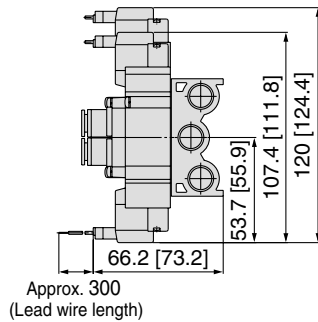
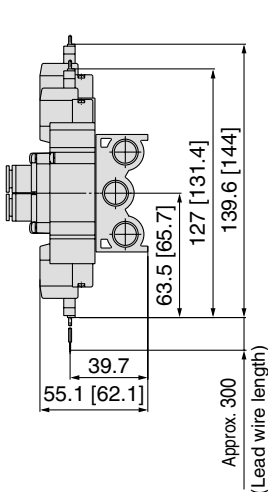


L plug connector (L)

M plug connector (M)

DIN terminal (D)

M8 connector (WO)



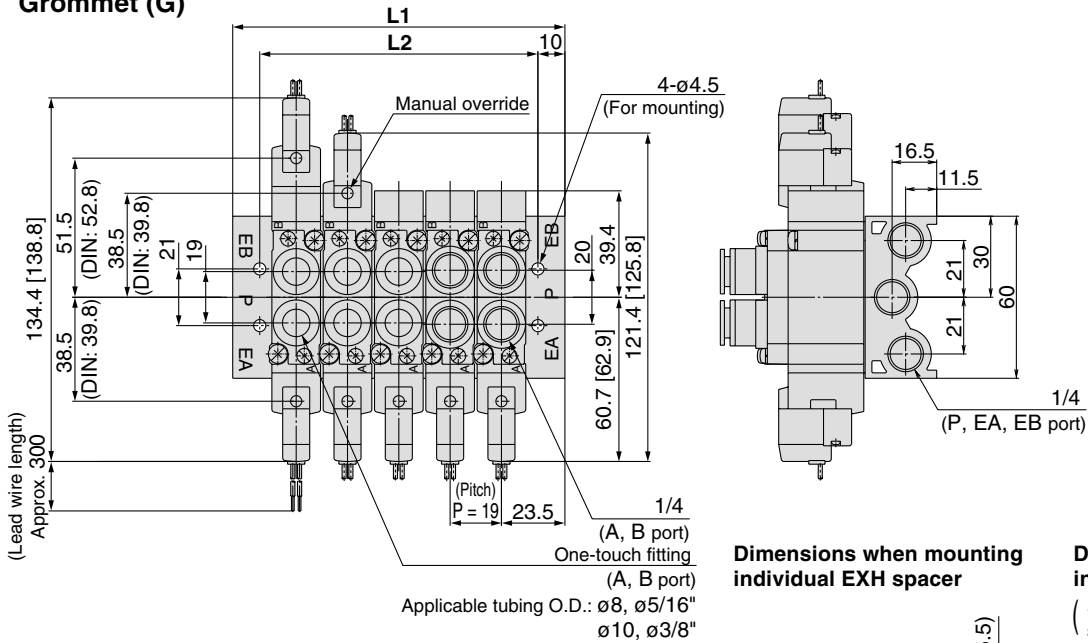
Note) Refer to page 1-4-210 for dimensions of connector types.

Stations n	2 stations	3	4	5	6	7	8	9	10	11	12	13	14	15	16	17	18	19	20 stations
L1	60	76	92	108	124	140	156	172	188	204	220	236	252	268	284	300	316	332	348
L2	40	56	72	88	104	120	136	152	168	184	200	216	232	248	264	280	296	312	328

SY7000: SS5Y7-20-Stations -



Grommet (G)

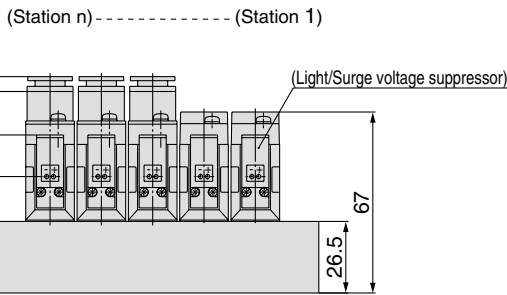
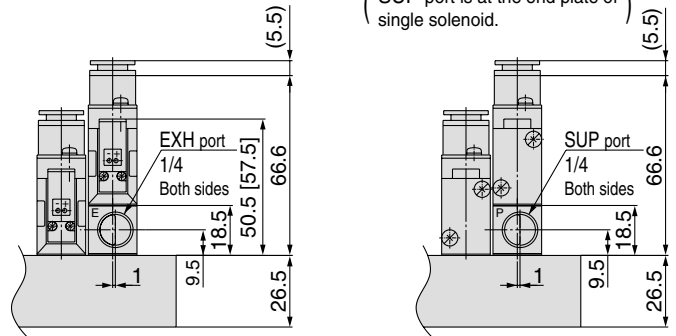


- SV
- SZ
- SY
- SYJ
- SX

Dimensions when mounting individual EXH spacer

Dimensions when mounting individual SUP spacer

(SUP port is at the end plate of single solenoid.)

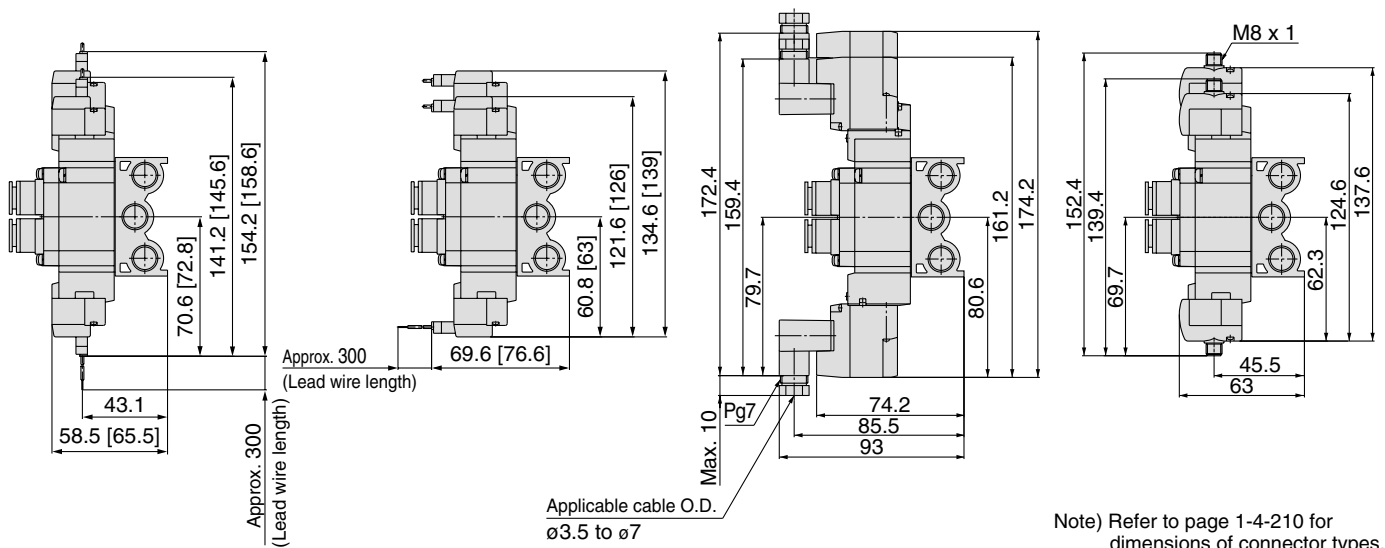


L plug connector (L)

M plug connector (M)

DIN terminal (D)

M8 connector (WO)



Note) Refer to page 1-4-210 for dimensions of connector types.

Stations n	2 stations	3	4	5	6	7	8	9	10	11	12	13	14	15	16	17	18	19	20 stations
L1	66	85	104	123	142	161	180	199	218	237	256	275	294	313	332	351	370	389	408
L2	46	65	84	103	122	141	160	179	198	217	236	255	274	293	312	331	350	369	388

Type **23**

Series SY9000 Body Ported Manifold Stacking Type Individual Wiring

How to Order Manifold

SS5Y 9 — 23 — 05

Manifold series

9	SY9000
---	--------

Valve stations

Symbol	Stations
02	2 stations
⋮	⋮
20	20 stations



* This also includes the number of blanking plate assemblies.

Thread type

Nil	Rc
00F	G
00N	NPT
00T	NPTF

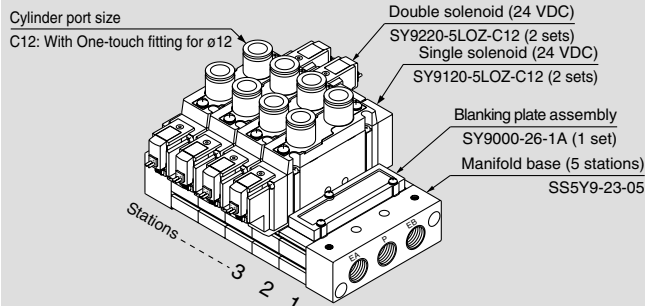
Option

Symbol	Mounting
Nil	Direct mounting
D	DIN rail mounting (with DIN rail)
D0	DIN rail mounting (without DIN rail)
D*	When a longer DIN rail is desired than the specified stations, specify the station number to be required into * mark.

* Type 23 manifold of Series SY9000 is concurrently used for the internal and external pilot.

How to Order Valve Manifold Assembly

Ordering example



SS5Y9-23-05 1 set (Type 23, 5 stations manifold base part no.)
 * SY9000-26-1A 1 set (Blanking plate assembly part no.)
 * SY9120-5LOZ-C12 2 sets (Single solenoid part no.)
 * SY9220-5LOZ-C12 2 sets (Double solenoid part no.)

↳ The asterisk denotes the symbol for assembly.
 Prefix it to the part nos. of the solenoid valve, etc.

Add the valve and option part number under the manifold base part number. In the case of complex arrangement, specify them on the manifold specification sheet.

How to Order Valves

SY 9 1 20 [] [] 5 L [] [] 02 []

Series

9	SY9000
---	--------

Type of actuation

1	2 position single
2	2 position double
3	3 position closed center
4	3 position exhaust center
5	3 position pressure center

Pilot specifications

Nil	Internal pilot
R	External pilot

* In the case of external pilot specifications, it cannot be used as a single unit.

Coil specifications

Nil	Standard
T	With power saving circuit (24 VDC, 12 VDC only)

* Power saving circuit is not available in the case of "D", "DO" or "W□" type.

Rated voltage

DC		AC (50/60Hz)	
5	24 VDC	1	100 VAC
6	12 VDC	2	200 VAC
V	6 VDC	3	110 VAC [115 VAC]
S	5 VDC	4	220 VAC [230 VAC]
R	3 VDC		

* DC specifications of type "D" and "DO" is only available with 12 and 24 VDC.
* For type "W□", DC voltage is only available.

Thread type

Nil	Rc
F	G
N	NPT
T	NPTF

A, B port size Thread piping

Symbol	Port size
02	1/4
03	3/8

One-touch fitting (Metric size)

Symbol	Port size
C8	One-touch fitting for ø8
C10	One-touch fitting for ø10
C12	One-touch fitting for ø12

One-touch fitting (Inch size)

Symbol	Port size
N9	One-touch fitting for ø5/16"
N11	One-touch fitting for ø3/8"

Manual override

Nil	Non-locking push type
D	Push-turn locking slotted type
E	Push-turn locking lever type

Light/Surge voltage suppressor Electrical entry for G, H, L, M, W

Nil	Without light/surge voltage suppressor
S	With surge voltage suppressor
Z	With light/surge voltage suppressor
R	With surge voltage suppressor (Non-polar type)
U	With light/surge voltage suppressor (Non-polar type)

* For AC voltage valves there is no "S" option. It is already built-in to the rectifier circuit.
* For "R" and "U", DC voltage is only available.
* Power saving circuit is only available in the "Z" type.

Electrical entry for D

Nil	Without light/surge voltage suppressor
S	With surge voltage suppressor
Z	With light/surge voltage suppressor

* "DOZ" is not available.
* For AC voltage valves there is no "S" option. It is already built-in to the rectifier circuit.

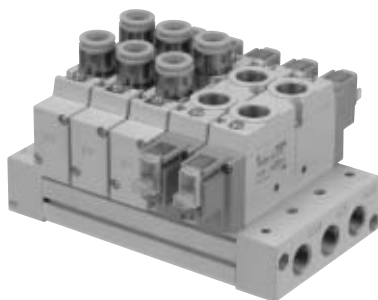
SV
SZ
SY
SYJ
SX

Electrical entry

24, 12, 6, 5, 3 VDC/ 100, 110, 200, 220 VAC			24, 12 VDC/ 100, 110, 200, 220 VAC	24, 12, 6, 5, 3 VDC
Grommet	L plug connector	M plug connector	DIN terminal	M8 connector
G: Lead wire length 300 mm	L: With lead wire (Length 300 mm)	M: With lead wire (Length 300 mm)	D: With connector DO: Without connector	WO: Without connector cable
H: Lead wire length 600 mm	LN: Without lead wire LO: Without connector	MN: Without lead wire MO: Without connector		

- * "LN", "MN" type: with 2 sockets.
- * DIN terminal type "Y" conforming to DIN4365C standard is also available. For details, refer to catalog on page 1-4-201.
- * For connector cable of M8 connector, refer to page 1-4-209.

Note) When placing an order for body ported solenoid valve as a single unit, mounting bolt for manifold and gasket are not attached. Order them separately, if necessary.
For details, refer to page 1-4-61.



Manifold Specifications

Model	SS5Y9-23	
Applicable valve	SY9□20	
Manifold type	Stacking type	
P (SUP)/R (EXH)	Common SUP, Common EXH	
Valve stations	2 to 20 stations <small>Note 1)</small>	
A, B port location	Valve	
Port size	P, EA, EB port	3/8
	A, B port	1/4 3/8 C8 (One-touch fitting for ø8) C10 (One-touch fitting for ø10) C12 (One-touch fitting for ø12)
Manifold base weight W (g) n: Stations	W = 66n + 246	



Note 1) For more than 10 stations, supply pressure to P port on both sides and exhaust from EA/EB port on both sides.

Note 2) Refer to "Manifold Option" on page 1-4-61.

Flow Characteristics

Model	Port size		Flow characteristics					
	1, 5, 3 (P, EA, EB)	4, 2 (A, B)	1→4/2 (P→A/B)			4/2→5/3 (A/B→EA/EB)		
			C (dm ³ /(s·bar))	b	Cv	C (dm ³ /(s·bar))	b	Cv
SS5Y9-23	3/8	C12	6.3	0.20	1.5	8.2	0.28	1.9

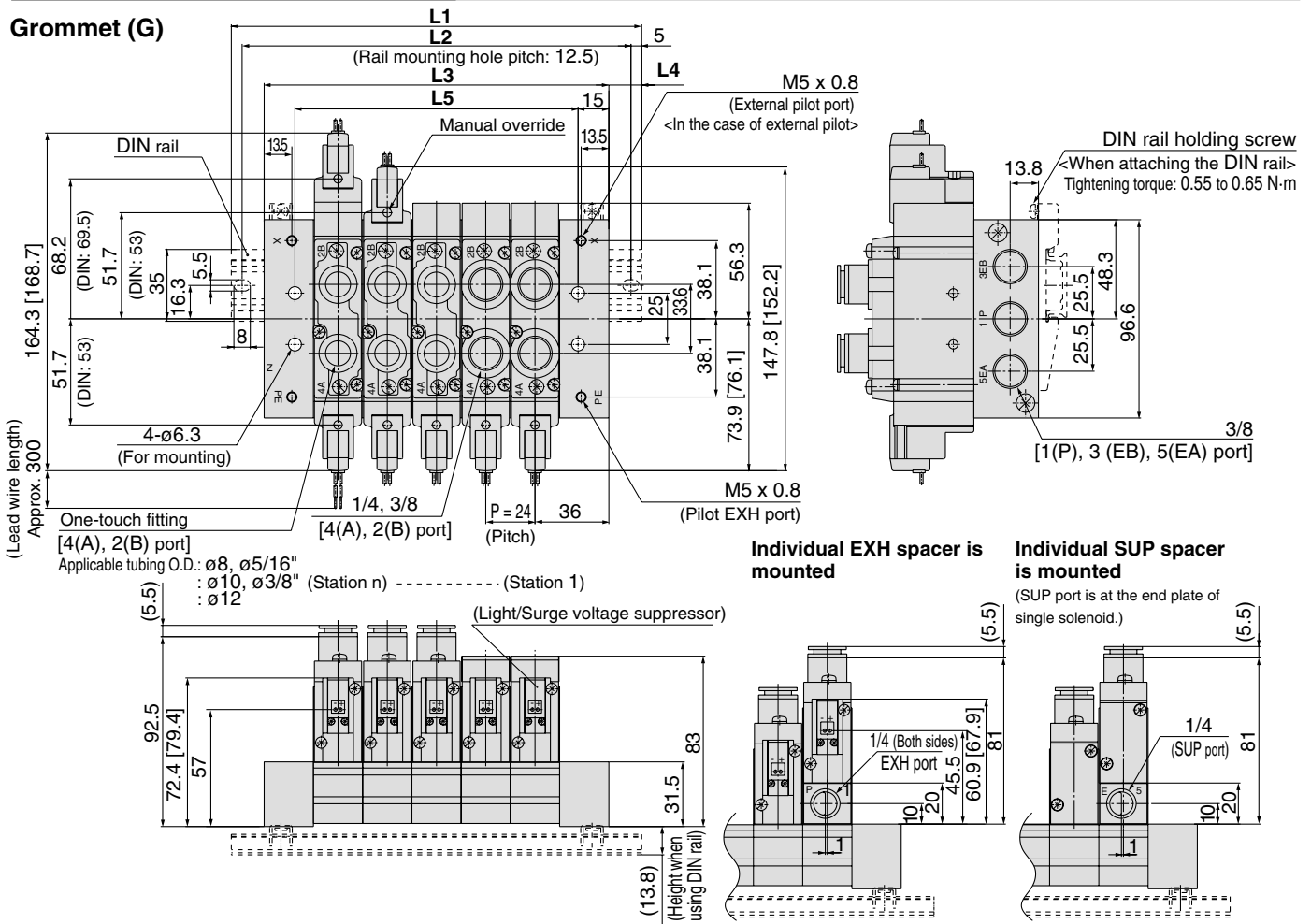


Note) The value is for manifold base with 5 stations and individually operated 2 position type.

SY9000: SS5Y9-23- Stations -(D)



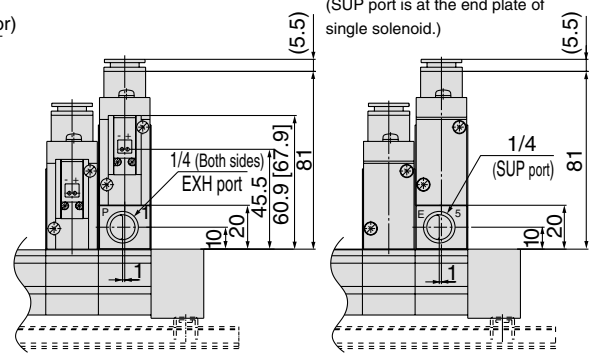
Grommet (G)



- SV
- SZ
- SY
- SYJ
- SX

Individual EXH spacer is mounted

Individual SUP spacer is mounted

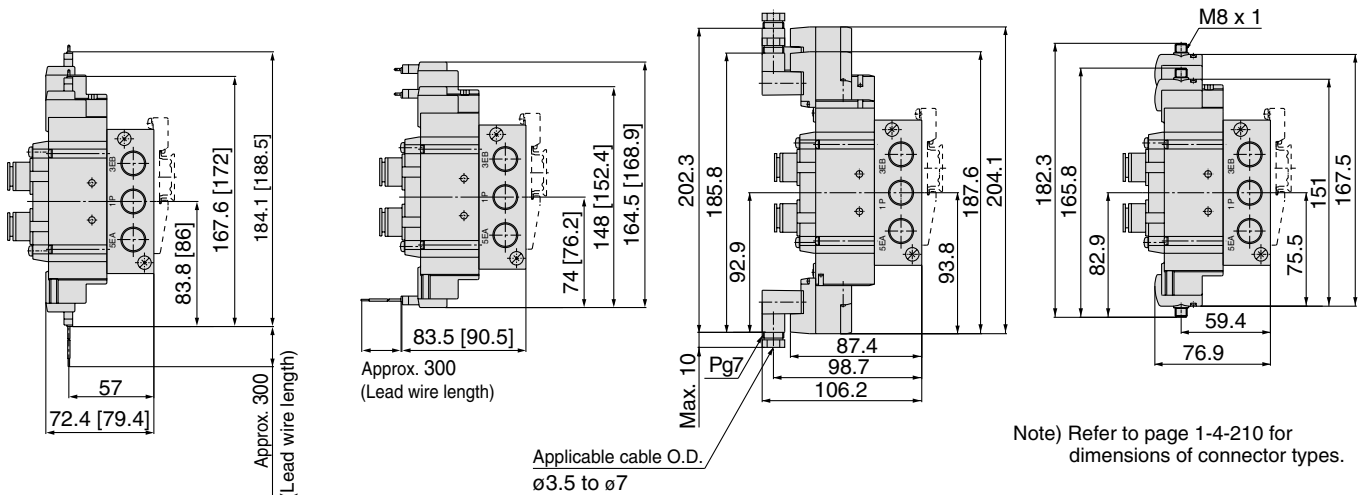


L plug connector (L)

M plug connector (M)

DIN terminal (D)

M8 connector (WO)



Note) Refer to page 1-4-210 for dimensions of connector types.

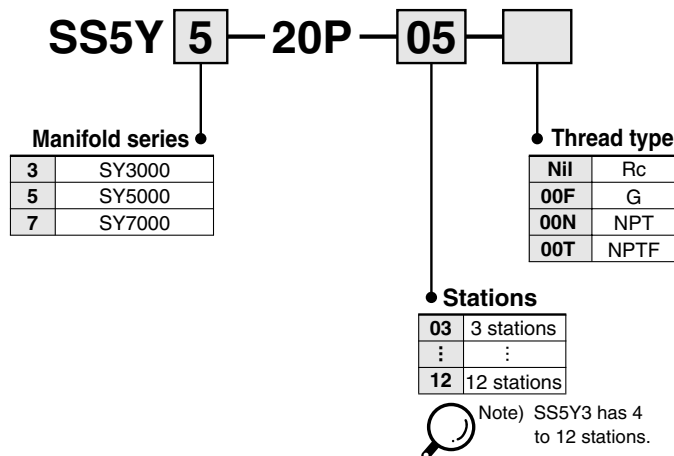
Stations n	2 stations	3	4	5	6	7	8	9	10	11	12	13	14	15	16	17	18	19	20 stations
L1	123	148	173	198	223	248	273	298	323	335.5	360.5	385.5	410.5	435.5	460.5	485.5	510.5	535.5	560.5
L2	112.5	137.5	162.5	187.5	212.5	237.5	262.5	287.5	312.5	325	350	375	400	425	450	475	500	525	550
L3	96	120	144	168	192	216	240	264	288	312	336	360	384	408	432	456	480	504	528
L4	13.5	14	14.5	15	15.5	16	16.5	17	17.5	12	12.5	13	13.5	14	14.5	15	15.5	16	16.5
L5	66	90	114	138	162	186	210	234	258	282	306	330	354	378	402	426	450	474	498

Note) In the case of direct mounting without DIN rail, total width of manifold is **L3**.

Type **20P**

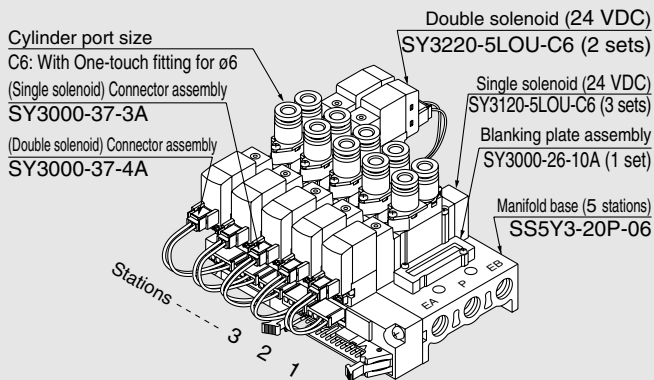
Series SY3000/5000/7000 Body Ported Manifold Bar Stock Type Flat Ribbon Cable

How to Order Manifold



How to Order Valve Manifold Assembly

Ordering example



SS5Y3-20P-06	1 set (Type 20P, 6 stations manifold part no.)
* SX3000-26-10A	1 set (Blanking plate assembly part no.)
* SY3120-5LOU-C6	3 sets (Single solenoid part no.)
* SY3220-5LOU-C6	2 sets (Double solenoid part no.)
* SY3000-37-3A	3 sets (Connector assembly part no.)
* SY3000-37-4A	2 sets (Connector assembly part no.)

The asterisk denotes the symbol for assembly.
Prefix it to the part nos. of the solenoid valve, etc

Add the valve and option part number under the manifold base part number.
In the case of complex arrangement, specify them on the manifold specification sheet.

How to Order Valves

Rated voltage

5	24 VDC
6	12 VDC

Light/Surge voltage suppressor

Z	With light/surge voltage suppressor
U	With light/surge voltage suppressor (Non-polar type)

Note) Z: Positive common specifications only.

Series

3	SY3000
5	SY5000
7	SY7000

Type of actuation

1	2 position single
2	2 position double
3	3 position closed center
4	3 position exhaust center
5	3 position pressure center

Rated voltage

1	100 VAC
3	110 VAC (115 VAC)

Manual override

Nil	Non-locking push type
D	Push-turn locking slotted type
E	Push-turn locking lever type

Note) In the case of flat cable type, "U" and "Z" types are for DC specifications and "Z" type is for AC specifications. "Z" for DC is positive common specifications only. For the other combination, please contact SMC.

Thread type

Nil	Rc
F	G
N	NPT
T	NPTF

A, B port size Thread piping

Symbol	Port size	Applicable series
M5	M5 x 0.8	SY3000
01	1/8	SY5000
02	1/4	SY7000

One-touch fitting (Metric size)

Symbol	Port size	Applicable series
C4	One-touch fitting for ø4	SY3000
C6	One-touch fitting for ø6	SY3000
C4	One-touch fitting for ø4	SY5000
C6	One-touch fitting for ø6	SY5000
C8	One-touch fitting for ø8	SY5000
C8	One-touch fitting for ø8	SY7000
C10	One-touch fitting for ø10	SY7000

One-touch fitting (Inch size)

Symbol	Port size	Applicable series
N3	One-touch fitting for ø5/32"	SY3000
N7	One-touch fitting for ø1/4"	SY3000
N3	One-touch fitting for ø5/32"	SY5000
N7	One-touch fitting for ø1/4"	SY5000
N9	One-touch fitting for ø5/16"	SY5000
N9	One-touch fitting for ø5/16"	SY7000
N11	One-touch fitting for ø3/8"	SY7000

Note) When placing an order for body ported solenoid valve as a single unit, mounting bolt for manifold and gasket are not attached. Order them separately, if necessary.
(For details, refer to page 1-4-61.)

For DC: SY

5

1

 20 —

5

 LO

Z

01

For AC: SY

5

1

 20 —

1

 LOZ

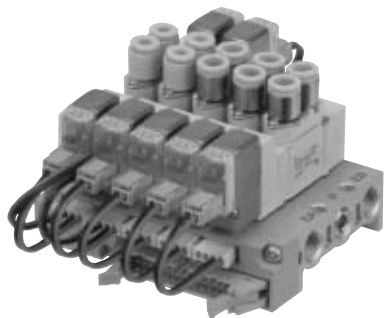
01

- SV
- SZ
- SY**
- SYJ
- SX

Series **SY3000/5000/7000/9000**

- Multiple valve wiring is simplified through the use of the flat cable connector
- Clean appearance

In the case of a flat ribbon cable type, each valve is wired on the print board of manifold base to allow the external wiring to be piped all together with 26 pins MIL connector.



Manifold Specifications

Model	SS5Y3-20P	SS5Y5-20P	SS5Y7-20P
Applicable valve	SY3□20	SY5□20	SY7□20
Manifold type	Single base/B mount		
P (SUP)/R (EXH)	Common SUP, Common EXH		
Valve stations	4 to 12 stations ⁽¹⁾	3 to 12 stations ^{Note 1)}	
A, B port location	Valve		
Port size	P, EA, EB port	1/8	1/4
	A, B port	M5 x 0.8, C4 (One-touch fitting for ø4) C6 (One-touch fitting for ø6)	1/8 C4 (One-touch fitting for ø4) C6 (One-touch fitting for ø6) C8 (One-touch fitting for ø8)
Manifold base weight W (g) n: Stations	W = 19n + 45	W = 43n + 77	W = 51n + 81
Applicable flat ribbon cable connector	Flat ribbon cable connector, Socket: 26 pins MIL type with strain relief, Conforming to MIL-C-83503		
Internal wiring	In common between +COM and -COM (Z type: +COM only).		
Rated voltage	12, 24 VDC 100, 110 VAC		

- Note 1) For more than 10 stations (more than 5 stations in the case of SS5Y7), supply pressure to P port on both sides and exhaust from EA/EB port on both sides.
- Note 2) The withstand voltage specification for the wiring unit section is JIS C 0704, Grade 1 or its equivalent.
- Note 3) Refer to "Manifold Option" on page 1-4-61.

Flow Characteristics

Model	Port size		Flow characteristics					
	1, 5, 3 (P, EA, EB)	4, 2 (A, B)	1 → 4/2 (P → A/B)			4/2 → 5/3 (A/B → EA/EB)		
			C [dm ³ /(s·bar)]	b	Cv	C [dm ³ /(s·bar)]	b	Cv
SS5Y3-20P	1/8	C6	0.72	0.29	0.18	0.80	0.36	0.21
SS5Y5-20P	1/4	C8	1.9	0.28	0.48	2.2	0.20	0.53
SS5Y7-20P	1/4	C10	3.6	0.31	0.93	3.6	0.27	0.88

Note) The value is for manifold base with 5 stations and individually operated 2 position type.

How to Order Connector Assembly

For 12, 24 VDC

For DC	For SY3000	For SY5000/7000
For single solenoid	SY3000-37-3A	SY5000-37-3A
Double solenoid, 3 position type	SY3000-37-4A	SY5000-37-4A
Single with spacer assembly	SY5000-37-3A	SY5000-37-5A
Double, 3 position with spacer assembly	SY3000-37-6A	SY5000-37-6A

For 100 VAC

For DC	For SY3000	For SY5000/7000
For single solenoid	SY3000-37-32A	SY5000-37-15A
Double solenoid, 3 position type	SY3000-37-33A	SY5000-37-16A
Single with spacer assembly	SY5000-37-15A	SY5000-37-17A
Double, 3 position with spacer assembly	SY3000-37-34A	SY5000-37-18A

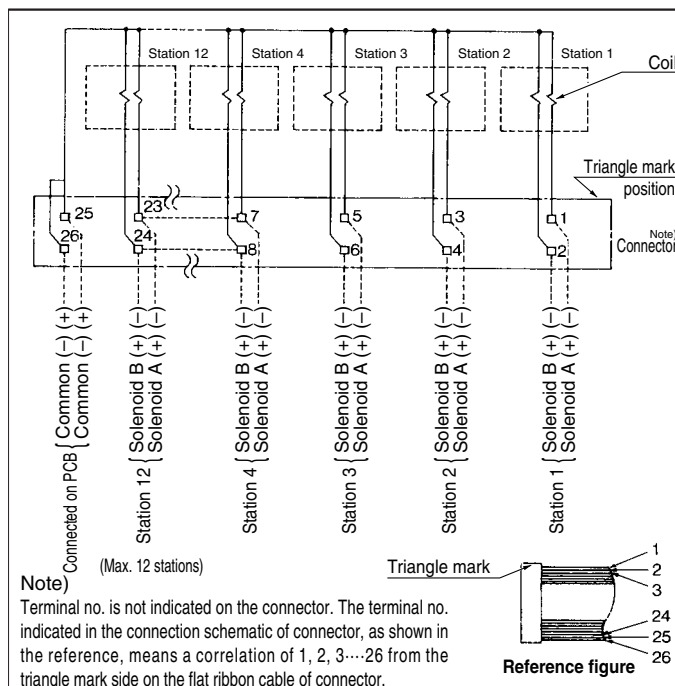
For 100 VAC (115 VAC)

For DC	For SY3000	For SY5000/7000
For single solenoid	SY3000-37-35A	SY5000-37-19A
Double solenoid, 3 position type	SY3000-37-36A	SY5000-37-20A
Single with spacer assembly	SY5000-37-19A	SY5000-37-21A
Double, 3 position with spacer assembly	SY3000-37-37A	SY5000-37-22A

⚠ Caution

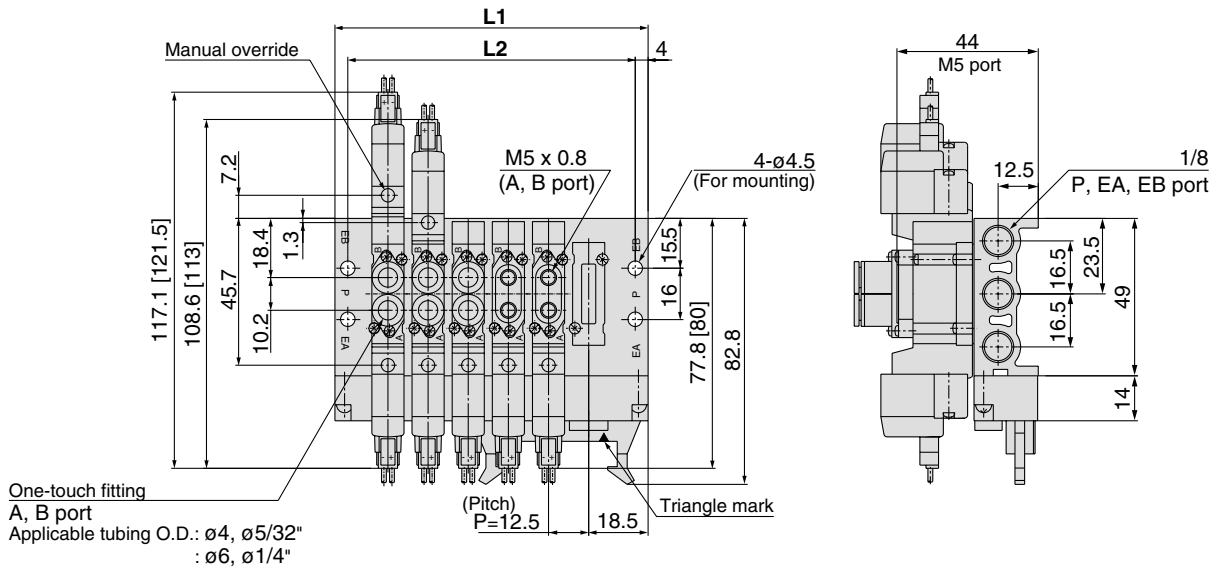
- For non-polar (U) valves, the electrical DC connections can be used with either positive and negative COM. For type (Z), only use with positive COM as the valve does not operate correctly when used with negative COM.

Internal Wiring of Manifold (Non-polar Type)

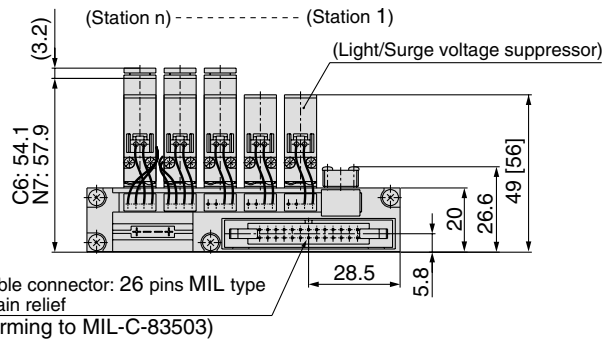


- Note)
- Terminal no. is not indicated on the connector. The terminal no. indicated in the connection schematic of connector, as shown in the reference, means a correlation of 1, 2, 3...26 from the triangle mark side on the flat ribbon cable of connector.
 - For more than 10 stations, both poles of the common should be wired.
 - For single solenoid, connect to the solenoid A side.
 - The maximum number of stations that can be accommodated is 12. For more stations, please contact SMC.

SY3000: SS5Y3-20P- Stations

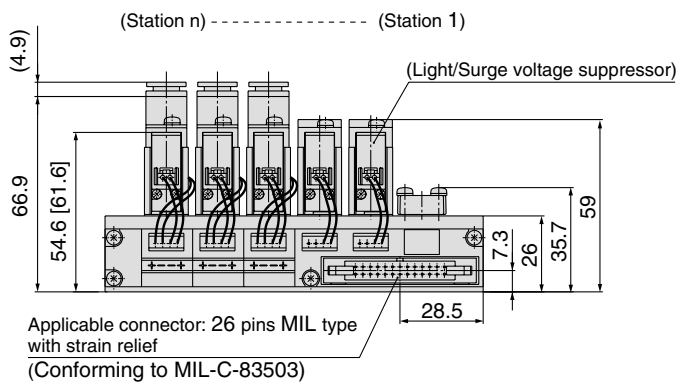
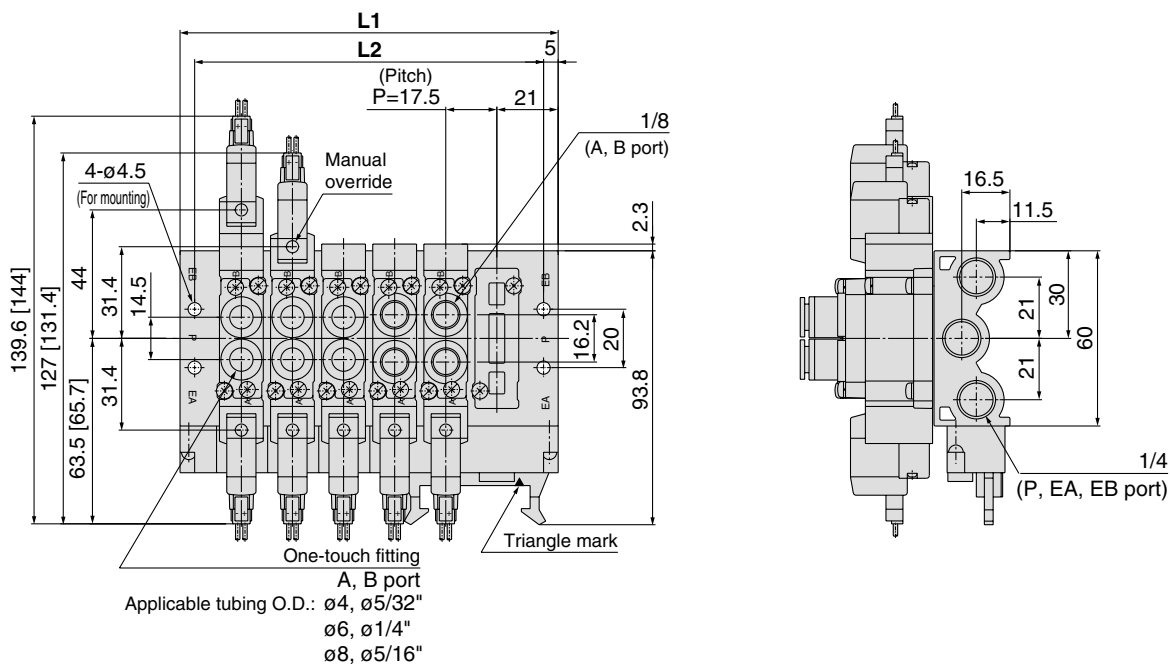


- SV
- SZ
- SY**
- SYJ
- SX



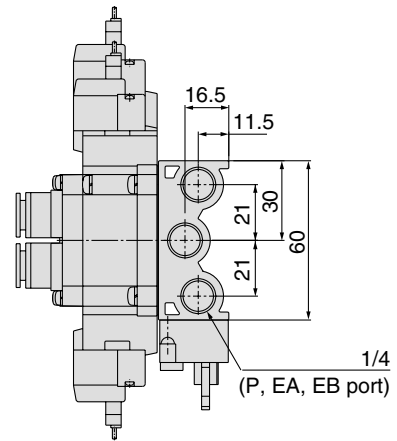
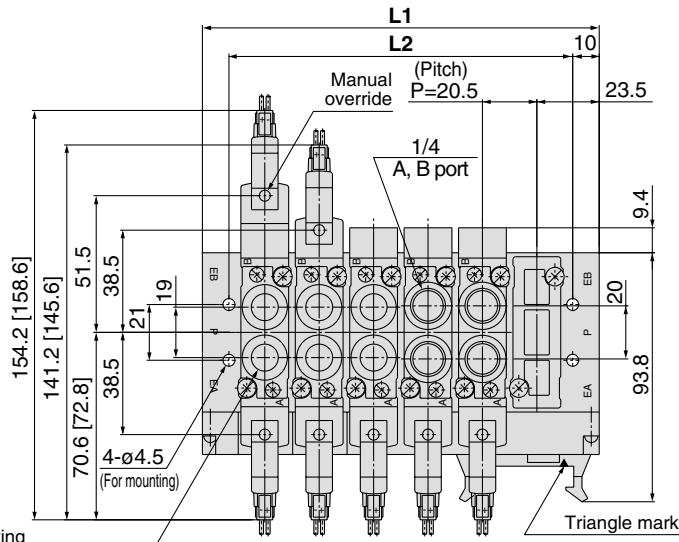
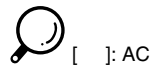
Stations n	4	5	6	7	8	9	10	11	12
L1	72.5	85	97.5	110	122.5	135	147.5	160	172.5
L2	64.5	77	89.5	102	114.5	127	139.5	152	164.5

SY5000: SS5Y5-20P-Stations

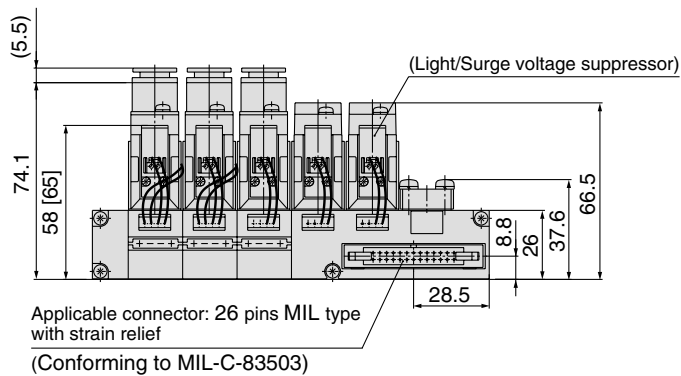


Stations n	3	4	5	6	7	8	9	10	11	12
L1	77	94.5	112	129.5	147	164.5	182	199.5	217	234.5
L2	67	84.5	102	119.5	137	154.5	172	189.5	207	224.5

SY7000: SS5Y7-20P- Stations



One-touch fitting
 A, B port
 Applicable tubing O.D.: ø8, ø5/16"
 ø10, ø3/8" (Station n) ----- (Station 1)



- SV
- SZ
- SY**
- SYJ
- SX

Stations n	3	4	5	6	7	8	9	10	11	12
L1	88	108.5	129	149.5	170	190.5	211	231.5	252	272.5
L2	68	88.5	109	129.5	150	170.5	191	211.5	232	252.5

Series SY9000 Body Ported Manifold Stacking Type Flat Ribbon Cable Flat Ribbon Cable

Type **23P**

How to Order Manifold

SS5Y 9 — 23P — 05

Manifold series

9	SY9000
---	--------

Thread type

Nil	Rc
00F	G
00N	NPT
00T	NPTF

Valve stations

Symbol	Stations
04	4 stations
⋮	⋮
12	12 stations

* This also includes the number of blanking plate assemblies.

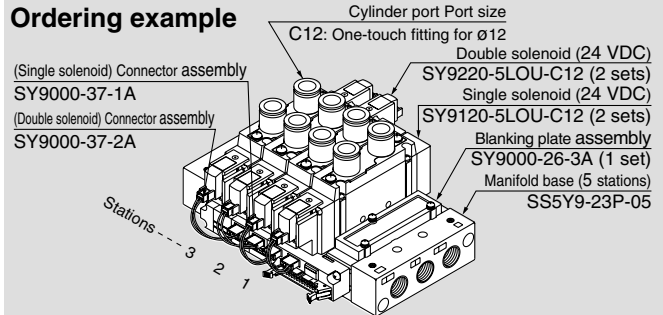
* Type 23P manifold of Series SY9000 is concurrently used for the internal and external pilot.

Option

Symbol	Mounting
Nil	Direct mounting
D	DIN rail mounting (with DIN rail)
D0	DIN rail mounting (without DIN rail)
D *	When a longer DIN rail is desired than the specified stations, specify the station number to be required into * mark.

How to Order Valve Manifold Assembly

Ordering example



- SS5Y9-23P-05** 1 set (Type 23, 5 stations manifold base part no.)
- ***SY9000-26-3A** 1 set (Blanking plate assembly part no.)
- ***SY9120-5LOU-C12** 2 sets (Single solenoid part no.)
- ***SY9220-5LOU-C12** 2 sets (Double solenoid part no.)
- ***SY9000-37-1A** 2 sets (Connector assembly part no.)
- ***SY9000-37-2A** 2 sets (Connector assembly part no.)

↳ The asterisk denotes the symbol for assembly. Prefix it to the part nos. of the solenoid valve, etc.

Add the valve and option part number under the manifold base part number. In the case of complex arrangement, specify them on the manifold specification sheet.

How to Order Valves

Rated voltage

5	24 VDC
6	12 VDC

Light/Surge voltage suppressor

Z	With light/surge voltage suppressor
U	With light/surge voltage suppressor (Non-polar type)

Note) Z: Positive common specifications only.

For DC: SY 9 1 20 [] 5 LO Z [] 02 []

For AC: SY 9 1 20 [] 1 LO Z [] 02 []

Series

9	SY9000
---	--------

Type of actuation

1	2 position single
2	2 position double
3	3 position closed center
4	3 position exhaust center
5	3 position pressure center

Pilot specifications

Nil	Internal pilot
R	External pilot

* Type 23P manifolds can be used for both internal and external pilots.

Rated voltage

1	100 VAC
3	110 VAC (115 VAC)

Manual override

Nil	Non-locking push type
D	Push-turn locking slotted type
E	Push-turn locking lever type

Thread type

Nil	Rc
F	G
N	NPT
T	NPTF

A, B port size

Thread piping

Symbol	Port size
02	1/4
03	3/8

One-touch fitting (Metric size)

Symbol	Port size
C8	One-touch fitting for ø8
C10	One-touch fitting for ø10
C12	One-touch fitting for ø12

One-touch fitting (Inch size)

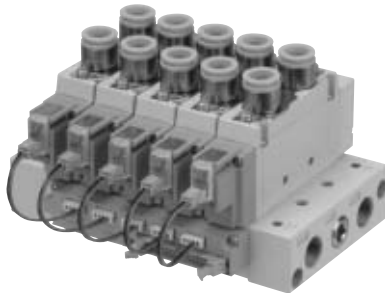
Symbol	Port size
N9	One-touch fitting for ø5/16"
N11	One-touch fitting for ø3/8"

Note) In the case of flat cable type, "U" and "Z" types are for DC specifications and "Z" type is for AC specifications. "Z" type for DC is positive common specification only. For the other combination, please contact SMC.

Note) When placing an order for body ported solenoid valve as a single unit, mounting bolt for manifold and gasket are not attached. Order them separately, if necessary. (For details, refer to page 1-4-61.)

- Multiple valve wiring is simplified through the use of the flat cable connector.
- Clean appearance

In the case of a flat ribbon cable type, each valve is wired on the print board of manifold base to allow the external wiring to be piped all together with 26 pins MIL connector.



How to Order Connector Assembly

For 12/24 VDC

Specifications	For SY9000
For single solenoid	SY9000-37-1A
Double solenoid 3 position	SY9000-37-2A
Single with spacer assembly	SY9000-37-3A
Double, 3 position with spacer assembly	SY9000-37-4A

For 100 VAC

Specifications	For SY9000
For single solenoid	SY9000-37-1B
Double solenoid 3 position	SY9000-37-2B
Single with spacer assembly	SY9000-37-3B
Double, 3 position with spacer assembly	SY9000-37-4B

For 110 VAC (115 VAC)

Specifications	For SY9000
For single solenoid	SY9000-37-1C
Double solenoid 3 position	SY9000-37-2C
Single with spacer assembly	SY9000-37-3C
Double, 3 position with spacer assembly	SY9000-37-4C

Manifold Specifications

Model	SS5Y9-23P	
Applicable valve	SY9□20	
Manifold type	Stacking type	
P (SUP)/R (EXH)	Common SUP, Common EXH	
Valve stations	4 to 12 stations ^{Note 1)}	
A, B port location	Valve	
Port size	P, EA, EB port	3/8
	A, B port	1/4
		3/8
		C8 (One-touch fitting for ø8) C10 (One-touch fitting for ø10) C12 (One-touch fitting for ø12)
Manifold base weight W (g)	W = 73n + 259	
n: Stations		
Applicable flat ribbon cable connector	Flat ribbon cable connector, Socket: 26 pins MIL with strain relief, Conforming to MIL-C-83503	
Internal wiring	In common between +COM and -COM (Z type: +COM only)	
Rated voltage	12, 24 VDC, 100, 110 VAC	

- Note 1) For more than 10 stations, supply pressure to P port on both sides and exhaust from EA/EB port on both sides.
 Note 2) The withstand voltage specification for the wiring unit section is JIS C 0704, Grade 1 or its equivalent.
 Note 3) Refer to "Manifold Option" on page 1-4-61.

SV

SZ

SY

SYJ

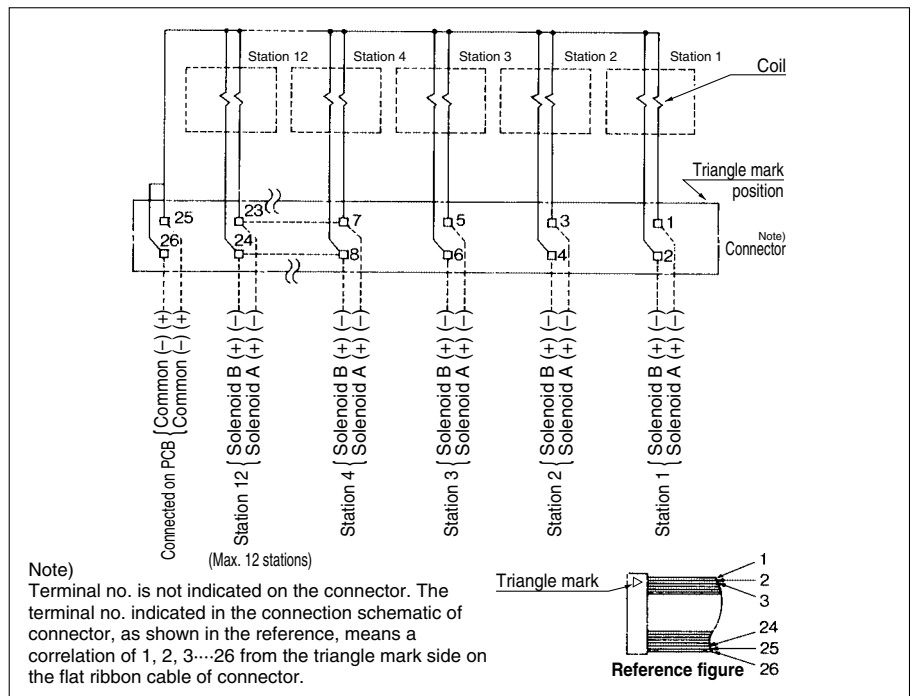
SX

Flow Characteristics

Model	Port size		Flow characteristics					
	1, 5, 3 (P, EA, EB)	4, 2 (A, B)	1 → 4/2 (P → A/B)			4/2 → 5/3 (A/B → EA/EB)		
			C (dm ³ /(s·bar))	b	Cv	C (dm ³ /(s·bar))	b	Cv
SS5Y9-23P	3/8	C12	6.3	0.20	1.5	8.2	0.28	1.9

- Note) The value is for manifold base with 5 stations and individually operated 2 position type.

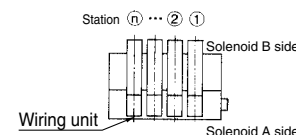
Internal Wiring of Manifold (Non-polar type)



Caution

- For non-polar (U) valves, the electrical DC connections can be used with either positive and negative COM. For type (Z), only use with positive COM as the valve does not operate correctly when used with negative COM.

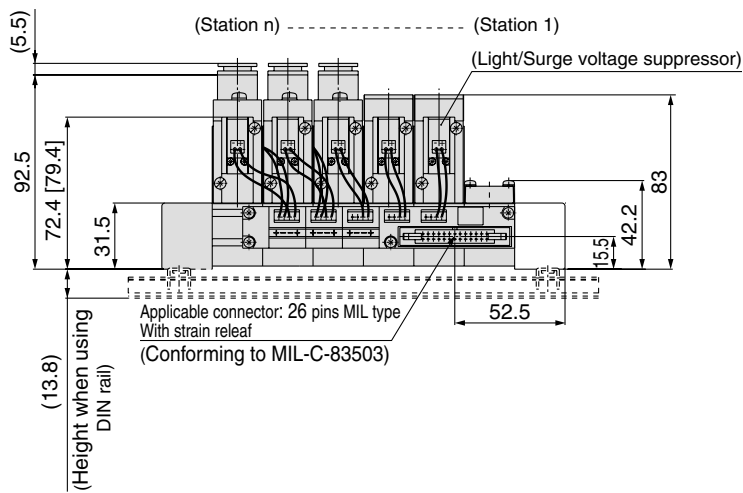
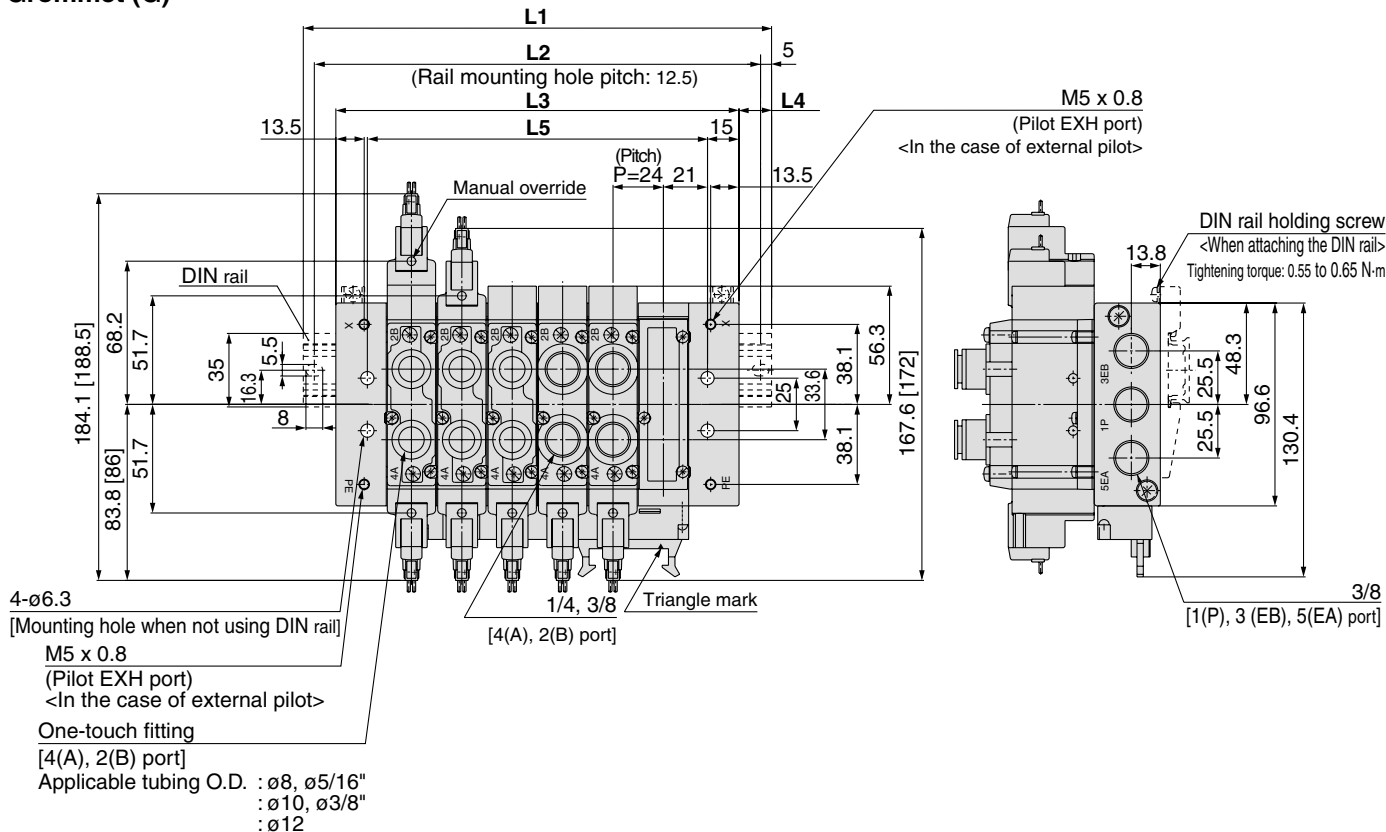
- For more than 10 stations, both poles of the common should be wired.
- For single solenoid, connect to the solenoid A side.
- The maximum number of stations that can be accommodated is 12. For more stations, please contact SMC.



SY9000: SS5Y9-23P- Stations -(D)



Grommet (G)

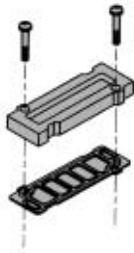


Stations n	4 stations	5	6	7	8	9	10	11	12 stations
L1	173	198	223	248	273	298	323	335.5	360.5
L2	162.5	187.5	212.5	237.5	262.5	287.5	312.5	325	350
L3	144	168	192	216	240	264	288	312	336
L4	14.5	15	15.5	16	16.5	17	17.5	12	12.5
L5	114	138	162	186	210	234	258	282	306

Note) In the case of direct mounting without DIN rail, total width of manifold is L3.

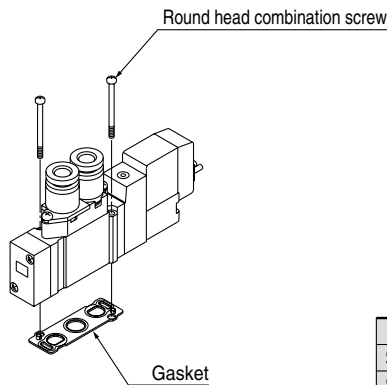
Manifold Option

■ Type 20, 23 Blanking plate assembly



Series	Assembly part no.
SY3000	SY3000-26-9A
SY5000	SY5000-26-20A
SY7000	SY7000-26-22A
SY9000	SY9000-26-1A

■ Gasket assembly part no.



Series	Gasket assembly
SY3000	SY3000-GS-1
SY5000	SY5000-GS-1
SY7000	SY7000-GS-1
SY9000	SY9000-GS-1

Note) Gasket assembly consists of mounting screws (2 pcs.) and a gasket.

⚠ Caution

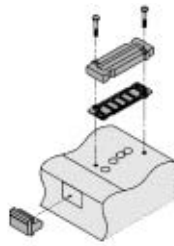
Mounting screw tightening torques

- M2: 0.16 N·m
- M3: 0.8 N·m
- M4: 1.4 N·m

⚠ Warning

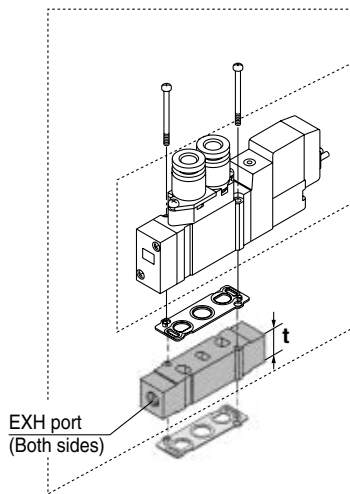
When mounting a valve or spacer on the manifold base or sub-plate, etc., those mounting directions are determined. If mounted in the wrong direction, the equipment to be connected may cause malfunction. Refer to external dimensions, and then mount it.

■ Type 20P, 23P Blanking plate assembly



Series	Assembly part no.
SY3000	SY3000-26-10A
SY5000	SY5000-26-21A
SY7000	SY7000-26-23A
SY9000	SY9000-26-3A

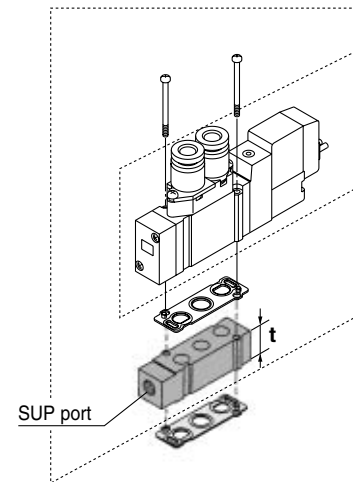
■ Individual EXH spacer assembly



Series	Assembly part no.	Port size	t
SY3000	SY3000-39-20A	M5 x 0.8	10.5
SY5000	SY5000-39-1*A	1/8	15
SY7000	SY7000-39-1*A	1/4	18
SY9000	SY9000-39-1*A	1/4	20

Note) In case of 20P and 23P, for protection of the wiring unit section from drainage, piping at the EA port should be arranged so that it will not be directly exposed to exhaust from the valve.

■ Individual SUP spacer assembly

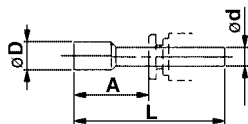


Series	Assembly part no.	Port size	t
SY3000	SY3000-38-20A	M5 x 0.8	10.5
SY5000	SY5000-38-1*A	1/8	15
SY7000	SY7000-38-1*A	1/4	18
SY9000	SY9000-38-1*A	1/4	20

Note) The SUP port of SY3000/5000/7000 may be either on the lead wire side on the end plate side. (An assembly is shipped under the conditions shown in the figure.) The end plate side is only available to SY9000.

■ Plug (white)

These are inserted in unused cylinder ports and SUP, EXH ports.
Note) Purchasing order is available in units of 10 pieces.



Dimensions

Applicable fittings size ød	Model	A	L	D
4	KQ2P-04	16	32	6
6	KQ2P-06	18	35	8
8	KQ2P-08	20.5	39	10
10	KQ2P-10	22	43	12
12	KQ2P-12	24	44.5	14
1/8"	KQ2P-01	16	31.5	5
5/32"	KQ2P-03	16	32	6
1/4"	KQ2P-07	18	35	8.5
5/16"	KQ2P-09	20.5	39	10
3/8"	KQ2P-11	22	43	11.5

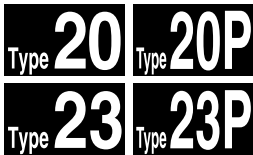
* Thread type

Nll	Rc
F	G
N	NPT
T	NPTF

SV
SZ
SY
SYJ
SX

Body Ported

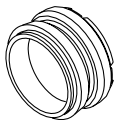
Series SY9000



Manifold Option

■ SUP block disk (For SY9000)

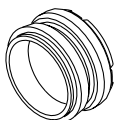
By installing a SUP block disk in the pressure supply passage of a manifold valve, it is possible to supply two or more different high and low pressures to one manifold.



Series	Part no.
SY9000	SY9000-61-2A

■ EXH block disk (For SY9000)

By installing an EXH block disk in the exhaust passage of a manifold valve, it is possible to divide the valve's exhaust so that it does not affect another valve. (Two blocking disks are needed to divide both exhausts.)



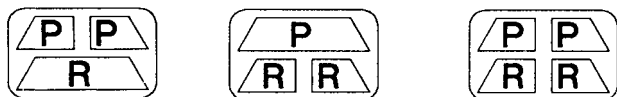
Series	Part no.
SY9000	SY9000-61-2A

■ Label for block disk (For SY9000)

The labels shown below are used on manifold stations containing SUP/EXH blocking disk(s) to show their location. (3 pcs. each)

VZ3000-123-1A

Label for SUP block disk Label for EXH block disk Label for SUP/EXH block disk



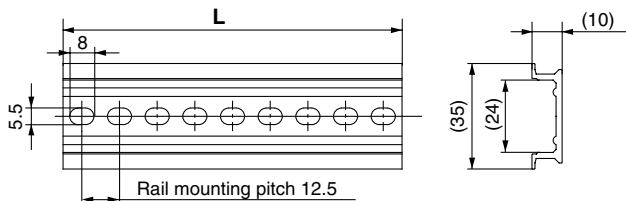
* When a block disk is concurrently ordered by specifying on the manifold specification sheet, etc., a label will be stuck on the position where block disk is mounted.

■ DIN Rail Dimensions/Weight for SY9000

VZ1000-11-4-□

● Refer to L dimensions

* Fill in □ with an appropriate no. listed on the table of DIN rail dimensions shown below.

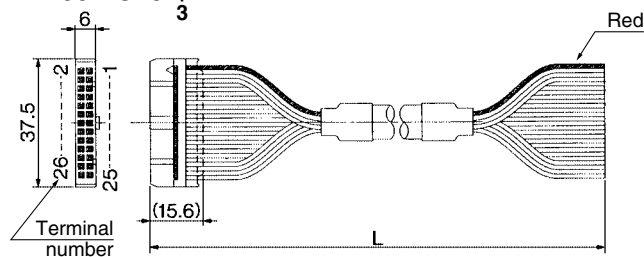


No.	0	1	2	3	4	5	6	7	8	9
L Dimension	98	110.5	123	135.5	148	160.5	173	185.5	198	210.5
Weight (g)	24.8	28	31.1	34.3	37.4	40.6	43.8	46.9	50.1	53.3
No.	10	11	12	13	14	15	16	17	18	19
L Dimension	223	235.5	248	260.5	273	285.5	298	310.5	323	335.5
Weight (g)	56.4	59.6	62.7	65.9	69.1	72.2	75.4	78.6	81.7	84.9
No.	20	21	22	23	24	25	26	27	28	29
L Dimension	348	360.5	373	385.5	398	410.5	423	435.5	448	460.5
Weight (g)	88	91.2	94.4	97.5	100.7	103.9	107	110.2	113.3	116.5

Note) · For DIN rail, refer to page 1-4-207.
· Refer to L1 dimension on pages starting with page 1-4-60 for lengths that correspond to the number of manifold stations.

■ Cable assembly (For 20P, 23P)

AXT100-FC26-1



Connector Assembly for Flat Ribbon Cable

Cable length (L)	Assembly part no.	Note
1.5 m	AXT100-FC26-1	Cable 26 core x 28 AWG
3 m	AXT100-FC26-2	
5 m	AXT100-FC26-3	

* For other commercial connectors, use a 20 pins with strain relief conforming to MIL-C-83503.

Connector manufacturers' example

- Hirose Electric Co., Ltd.
- Japan Aviation Electronics Industry, Ltd.
- Sumitomo 3M Limited
- J.S.T. Mfg. Co., Ltd.
- Fujitsu Limited

How to Increase Manifold Base (Series SY9000 only) Manifold case can be added at any location.

When a type 23 manifold base is added, tension bolts as well as manifold block assembly will be required. Order the tension bolt suitable for the stations after a station was increased (decreased), since the length of a tension bolt differs by the number of stations. (For changing the number of stations for a type 23P manifold, wiring unit for the stations and lead assembly will be required.)

- 1 Loosen the tension bolts ⑤ connecting the manifold base, and pull out both of 2 tension bolts.
(When equipped with a DIN rail, loosen one DIN rail holding screw on either U side or D side.)
- 2 Separate the blocks at the location where station expansion is desired.
- 3 Mount additional manifold block assembly.
- 4 Press block-to-block so that there's no gap. After connection, insert a tension bolt for desired stations and then tighten it.


⚠ Caution (Tightening torque: 2.9 N·m)

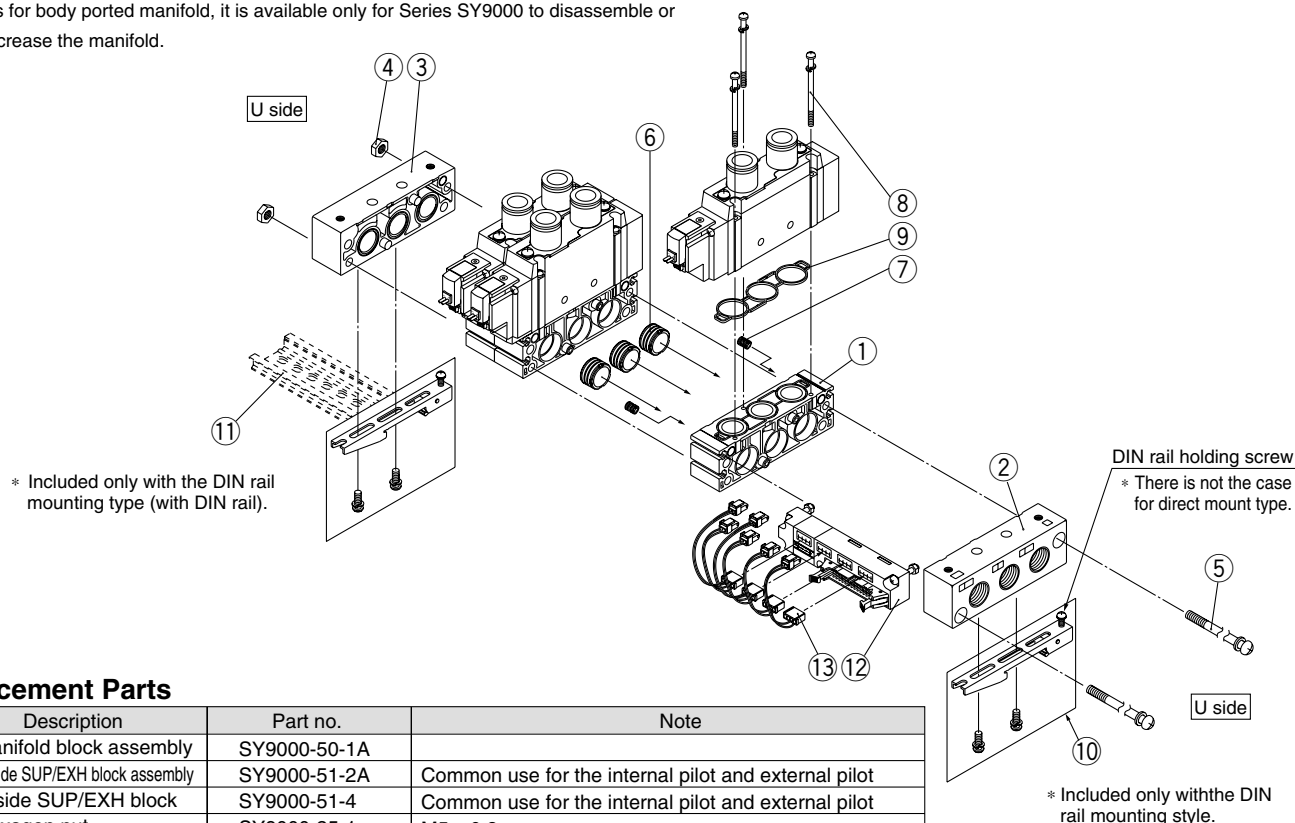
(When equipped with a DIN rail, be sure to tighten the DIN rail holding screws after tightening the tension bolts. Tightening torque: 1.4 N·m)

⚠ Caution

1. Be sure to shut off the power and air supplies before disassembly. Furthermore, since air may remain inside the actuator, piping and manifold, confirm that the air is completely exhausted before performing any work.
2. When disassembly and assembly are performed, air leakage may result if connections between blocks and tightening of the end block's holding screw, is inadequate.
3. By adding wiring unit assembly to type 23 manifold, it can be changed to type 23P manifold, too.

Body Ported Manifold Exploded View: 23/23P Common

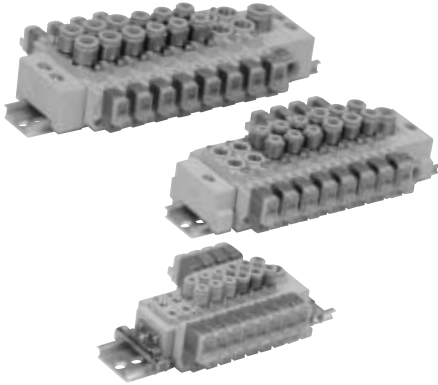
 As for body ported manifold, it is available only for Series SY9000 to disassemble or increase the manifold.

**Replacement Parts**

No.	Description	Part no.	Note
①	Manifold block assembly	SY9000-50-1A	
②	D side SUP/EXH block assembly	SY9000-51-2A	Common use for the internal pilot and external pilot
③	U side SUP/EXH block	SY9000-51-4	Common use for the internal pilot and external pilot
④	Hexagon nut	SY9000-25-1	M5 x 0.8
⑤	Tension bolt	SY9000-23-□	Since □ at the end of part number corresponds with the number of stations, fill in the same number as the number of stations.
⑥	SUP block bush assembly	SY9000-61-1A	Included in the Manifold block assembly and the D side SUP/EXH block assembly.
⑦	SUP block bush assembly	SY9000-61-3A	Included in the Manifold block assembly and the D side SUP/EXH block assembly.
⑧	Round head combination screw	SY9000-18-2	Included in the Manifold block assembly.
⑨	Manifold gasket	SY9000-11-1	Included in the Manifold block assembly.
⑩	Clamp sub assembly	SY9000-29-1A	
⑪	DIN rail	VZ1000-11-4-□	Refer to page 1-4-62.
⑫	Wiring unit assembly	SY9000-36-□A	Since □ in part number corresponds with the number of stations, fill in the number of stations (4 to 12).
⑬	Connector assembly	SY9000-37-□□	Refer to page 1-4-59.

Type **60**

Series SY3000/5000/7000 Body Ported Manifold Cassette Type



How to Order Manifold

SS5Y **3** — 60 — **05** **D** — [Option]

Series	
3	SY3000
5	SY5000
7	SY7000

Valve stations	
02	2 stations
⋮	⋮
20	20 stations

Option

When a DIN rail longer than standard is required, enter the number of manifold stations that corresponds with the length of DIN rail needed. Max. 20 stations

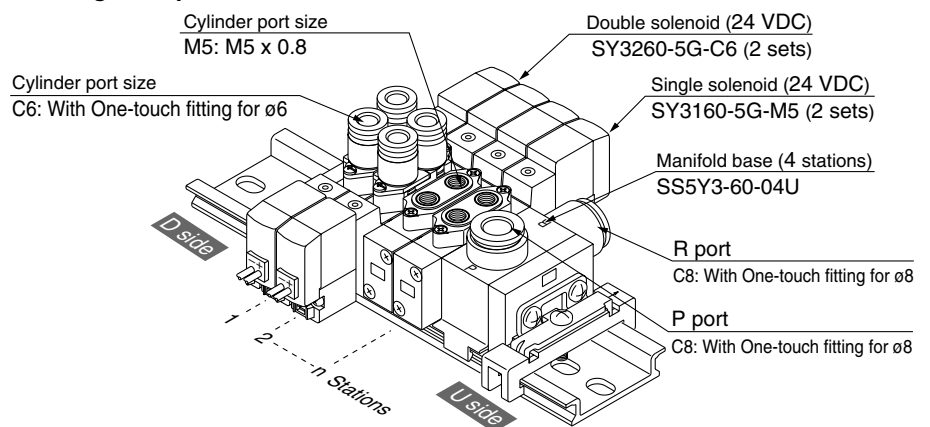
SUP/EXH block assembly mounting position

Symbol	Mounting position	Applicable stations
U	U side	2 to 10 stations
D	D side	2 to 10 stations
B	Both sides	2 to 20 stations
M	Special location	

* For special specifications, indicate separately on the manifold specification sheet.

How to Order Valve Manifold Assembly

Ordering example



SS5Y3-60-04U
* SY3260-5G-C6
* SY3160-5G-M5


1 set (Type 60, 4 stations manifold base part no.)
2 sets (Double solenoid part no.)
2 sets (Single solenoid part no.)

→The asterisk denotes the symbol for assembly. Prefix it to the part nos. of the solenoid valve, etc.

Add the valve and option part number under the manifold base part number. In the case of complex arrangement, specify them on the manifold specification sheet.

Manifold Specifications


Model		SS5Y3-60	SS5Y5-60	SS5Y7-60
Applicable valve		SY3□60	SY5□60	SY7□60
Manifold type		Stacking type/DIN rail mounted		
P (SUP)/R (EXH)		Common SUP/Common EXH		
Valve stations		2 to 20 stations ^{Note 1)}		
A, B port location		Valve		
Port size	P, R port	C8 (One-touch fitting for ø8)	C10 (One-touch fitting for ø10)	C12 (One-touch fitting for ø12)
	A, B port	M5 x 0.8 C4 (One-touch fitting for ø4) C6 (One-touch fitting for ø6)	1/8 C4 (One-touch fitting for ø4) C6 (One-touch fitting for ø6) C8 (One-touch fitting for ø8)	1/4 C8 (One-touch fitting for ø8) C10 (One-touch fitting for ø10)
Manifold base weight W (g) ^{Note 2)} (n: Number of SUP/EXH blocks, m: Weight of DIN rail)		W = 13n + m + 36	W = 41.2n + m + 77.6	W = 65.4n + m + 128.2

 Note 1) In cases such as those where many valves are operated simultaneously, use “-stationB (SUP/EXH block on both sides)” (both sides SUP/EXH), applying pressure to the P ports on both sides and exhausting from the R ports on both sides.

Note 2) For DIN rail weight, refer to page 1-4-72.

Flow Characteristics

Model	Port size		Flow characteristics					
	1, 5/3 (P, R)	4, 2 (A, B)	1 → 4/2(P → A/B)			4/2 → 5/3(A/B → R)		
			C (dm ³ /(s·bar))	b	Cv	C (dm ³ /(s·bar))	b	Cv
SS5Y3-60	C8	M5	0.55	0.29	0.14	0.72	0.24	0.18
		C4	0.57	0.24	0.14	0.71	0.20	0.17
		C6	0.68	0.28	0.17	0.77	0.24	0.19
SS5Y5-60	C10	1/8	1.8	0.24	0.44	2.1	0.17	0.47
		C6	1.5	0.30	0.37	2.0	0.16	0.46
		C8	1.8	0.20	0.45	2.2	0.17	0.50
SS5Y7-60	C12	1/4	3.7	0.25	0.96	3.8	0.19	0.94
		C8	3.2	0.26	0.81	4.0	0.18	0.96
		C10	3.7	0.28	0.98	4.1	0.19	1.0

 Note) The value is for manifold base with 5 stations and individually operated 2 position type.

SV

SZ

SY

SYJ

SX

How to Order Valves

SY 3 1 60 — **5 L** — **C6**

Series

3	SY3000
5	SY5000
7	SY7000

Type of actuation

1	2 position single (A)(B) 4 2 5 1 3 (EA)(P)(EB)
2	2 position double (A)(B) 4 2 5 1 3 (EA)(P)(EB)
3	3 position closed center (A)(B) 4 2 5 1 3 (EA)(P)(EB)
4	3 position exhaust center (A)(B) 4 2 5 1 3 (EA)(P)(EB)
5	3 position pressure center (A)(B) 4 2 5 1 3 (EA)(P)(EB)

Coil specifications

Nil	Standard
T	With power saving circuit (24 VDC, 12 VDC only)

* Power saving circuit is not available in the case of "D", "DO" or "W□" type.

Rated voltage

DC	
5	24 VDC
6	12 VDC
V	6 VDC
S	5 VDC
R	3 VDC

AC (50/60Hz)	
1	100 VAC
2	200 VAC
3	110 VAC [115 VAC]
4	220 VAC [230 VAC]

* DC specifications of type "D", "DO" is only available with 12 and 24 VDC.
 * "D", "DO" only available for SY5000, SY7000.
 * For type "W□", DC voltage is only available.

A, B port size
Thread piping

Symbol	Port size	Applicable series
M5	M5 x 0.8	SY3000
O1	1/8	SY5000
O2	1/4	SY7000

One-touch fitting (Metric size)

Symbol	Port size	Applicable series
C4	One-touch fitting for ø4	SY3000
C6	One-touch fitting for ø6	SY3000
C4	One-touch fitting for ø4	SY5000
C6	One-touch fitting for ø6	SY5000
C8	One-touch fitting for ø8	SY7000
C8	One-touch fitting for ø8	SY7000
C10	One-touch fitting for ø10	SY7000

One-touch fitting (Inch size)

Symbol	Port size	Applicable series
N3	One-touch fitting for ø5/32"	SY3000
N7	One-touch fitting for ø1/4"	SY3000
N3	One-touch fitting for ø5/32"	SY5000
N7	One-touch fitting for ø1/4"	SY5000
N9	One-touch fitting for ø5/16"	SY7000
N9	One-touch fitting for ø5/16"	SY7000
N11	One-touch fitting for ø3/8"	SY7000

Manual override

<p>Nil: Non-locking push type</p>	<p>D: Push-turn locking slotted type</p>	<p>E: Push-turn locking lever type</p>
--	---	---

Light/Surge voltage suppressor

Electrical entry for G, H, L, M, W

Nil	Without light/surge voltage suppressor
S	With light/surge voltage suppressor
Z	With light/surge voltage suppressor
R	With surge voltage suppressor (Non-polar type)
U	With light/surge voltage suppressor (Non-polar type)

* For AC voltage valves there is no "S" option. It is already built-in to the rectifier circuit.
 * Power saving circuit is only available in the "Z" type.

Electrical entry for D (SY5000/7000 only)

Nil	Without light/surge voltage suppressor
S	With surge voltage suppressor (Non-polar type)
Z	With light/surge voltage suppressor (Non-polar type)

* For AC voltage valves there is no "S" option. It is already built-in to the rectifier circuit.


Electrical entry

24, 12, 6, 5, 3 VDC/100, 110, 200, 220 VAC				24, 12 VDC/100, 110, 200, 220 VAC	24, 12, 6, 5, 3 VDC
Grommet	L plug connector	M plug connector		DIN terminal (SY5000, 7000)	M8 connector
G: Lead wire length 300 mm	L: With lead wire (Length 300 mm)	M: With lead wire (Length 300 mm)	MN: Without lead wire	D: With connector	WO: Without connector cable
H: Lead wire length 600 mm	LN: Without lead wire	LO: Without connector	MO: Without connector	DO: Without connector	

* "LN", "MN" type: with 2 sockets.
 * For connector cable of M8 connector, refer to page 1-4-210.

Specifications


Series		SY3000	SY5000	SY7000
Fluid		Air		
Internal pilot Operating pressure range (MPa)	2 position single	0.15 to 0.7		
	2 position double	0.1 to 0.7		
	3 position	0.2 to 0.7		
Ambient and fluid temperature (°C)		Max. 50		
Max. operating frequency (Hz)	2 position double	10	5	5
	3 position	3	3	3
Manual override (Manual operation)		Non-locking push type, Push-turn locking slotted type, Push-turn locking lever type		
Pilot exhaust method		Common exhaust type for main and pilot valve		
Lubrication		Not required		
Mounting position		Unrestricted		
Impact/Vibration resistance ^(Note)		150/30		
Enclosure		Dustproof (* DIN terminal, M8 connector conforms to IP65)		

-  Note) Impact resistance: No malfunction occurred when it is tested with a drop tester in the axial direction and at the right angles to the main valve and armature in both energized and de-energized states every once for each condition.
- Vibration resistance: No malfunction occurred in a one-sweep test between 45 and 2000 Hz. Test was performed at both energized and de-energized states in the axial direction and at the right angles to the main valve and armature. (Values in the initial stage)


* Based on IEC529

Solenoid Specifications

Electrical entry		Grommet (G), (H) L plug connector (L) M plug connector (M) DIN terminal (D) M8 connector (W)	
Coil rated voltage (V)	DC	24 , 12 , 6 , 5 , 3	
	AC 50/60Hz	100 , 110 , 200 , 220*	
Allowable voltage fluctuation (%)		±10% of rated voltage	
Power consumption (W)	DC	Standard	0.35 [With indicator light: 0.4 (DIN terminal with indicator light: 0.45)]
		With power saving circuit	0.1 (With indicator light only)
Apparent power* VA	AC	100V	1.4 (With indicator light: 1.5)
		110V [115V]	1.6 (With indicator light: 1.7) [1.7 (With indicator light: 1.8)]
		200V	2.3 (With indicator light: 2.4)
		220V [230V]	2.5 (With indicator light: 2.6) [2.7 (With indicator light: 2.8)]
Surge voltage suppressor		Diode (Varistor is for DIN terminal and non-polar)	
Indicator light		LED (AC of DIN connector is neon bulb.)	

-  * In common between 110 VAC and 115 VAC, and between 220 VAC and 230 VAC.
* For 115 VAC and 230 VAC, the allowable voltage is -15% to 5% of rated voltage.

Response Time

-  Note) Based on dynamic performance test, JIS B 8375-1981. (Coil temperature: 20°C, at rated voltage)

SY3000

Type of actuation	Response time (ms) (at the pressure of 0.5 MPa)		
	Without surge voltage suppressor	With surge voltage suppressor	
		S, Z type	R, U type
2 position single	12 or less	15 or less	12 or less
2 position double	10 or less	13 or less	10 or less
3 position	15 or less	20 or less	16 or less

SY5000

Type of actuation	Response time (ms) (at the pressure of 0.5 MPa)		
	Without surge voltage suppressor	With surge voltage suppressor	
		S, Z type	R, U type
2 position single	19 or less	26 or less	19 or less
2 position double	18 or less	22 or less	18 or less
3 position	32 or less	38 or less	32 or less

SY7000

Type of actuation	Response time (ms) (at the pressure of 0.5 MPa)		
	Without light/surge voltage suppressor	With light/surge voltage suppressor	
		S, Z type	R, U type
2 position single	31 or less	38 or less	33 or less
2 position double	27 or less	30 or less	28 or less
3 position	50 or less	56 or less	50 or less

SV

SZ

SY

SYJ

SX

Series SY3000/5000/7000 Type **60**


Weight

Series SY3000

Valve model	Type of actuation		Port size	Weight (g)		
			A, B	Grommet	L, M plug connector	M8 Connector
SY3□60-□-M5	2 position	Single	M5 x 0.8	49	51	55
		Double		70	73	81
	3 position	Closed center		73	76	84
		Exhaust center				
		Pressure center				
SY3□60-□-C4	2 position	Single	C4 (One-touch fitting for ø4)	62	61	65
		Double		80	83	91
	3 position	Closed center		82	86	94
		Exhaust center				
		Pressure center				
SY3□60-□-C6	2 position	Single	C6 (One-touch fitting for ø6)	55	57	61
		Double		76	79	87
	3 position	Closed center		78	82	90
		Exhaust center				
		Pressure center				

Series SY7000

Valve model	Type of actuation		Port size	Weight (g)			
			A, B	Grommet	L, M plug connector	DIN terminal	M8 Connector
SY7□60-□-02	2 position	Single	1/4	103	105	126	109
		Double		125	128	170	136
	3 position	Closed center		133	136	178	144
		Exhaust center					
		Pressure center					
SY7□60-□-C8	2 position	Single	C8 (One-touch fitting for ø8)	138	139	160	143
		Double		160	163	205	171
	3 position	Closed center		168	171	213	179
		Exhaust center					
		Pressure center					
SY7□60-□-C10	2 position	Single	C10 (One-touch fitting for ø10)	123	125	146	129
		Double		145	149	191	157
	3 position	Closed center		153	157	199	165
		Exhaust center					
		Pressure center					

 Note) []: Denotes normal position.

Series SY5000

Valve model	Type of actuation		Port size	Weight (g)			
			A, B	Grommet	L, M plug connector	DIN terminal	M8 Connector
SY5□60-□-01	2 position	Single	1/8	67	69	90	71
		Double		91	94	136	102
	3 position	Closed center		97	100	142	108
		Exhaust center					
		Pressure center					
SY5□60-□-C4	2 position	Single	C4 (One-touch fitting for ø4)	91	93	114	97
		Double		113	116	158	124
	3 position	Closed center		119	122	164	130
		Exhaust center					
		Pressure center					
SY5□60-□-C6	2 position	Single	C6 (One-touch fitting for ø6)	86	88	109	92
		Double		108	111	153	119
	3 position	Closed center		114	117	159	125
		Exhaust center					
		Pressure center					
SY5□60-□-C8	2 position	Single	C8 (One-touch fitting for ø8)	78	80	101	84
		Double		100	103	145	111
	3 position	Closed center		106	109	151	117
		Exhaust center					
		Pressure center					

How to Order Pilot Valve Assembly

How to Order Connector Assembly for L/M Plug Connector

V111 5 G

Coil specifications

Nil	Standard: DC specifications
A	Standard: AC specifications
T	With power saving circuit (24 VDC, 12 VDC only)

* Power saving circuit is not available in the case of "D", "DO" or "W□" type.

Rated voltage

5	24 VDC
6	12 VDC
V	6 VDC
S	5 VDC
R	3 VDC
1	100 VAC ⁵⁰ / ₆₀ Hz
2	200 VAC ⁵⁰ / ₆₀ Hz
3	110 VAC ⁵⁰ / ₆₀ Hz [115 VAC ⁵⁰ / ₆₀ Hz]
4	220 VAC ⁵⁰ / ₆₀ Hz [230 VAC ⁵⁰ / ₆₀ Hz]

* For type "W□", DC voltage is only available.

Light/Surge voltage suppressor

Nil	Without light/surge voltage suppressor
S	With surge voltage suppressor
Z	With light/surge voltage suppressor
R	With surge voltage suppressor (Non-polar type)
U	With light/surge voltage suppressor (Non-polar type)

* For AC voltage valves there is no "S" option. It is already built-in to the rectifier circuit.
* For "R" and "U", DC voltage is only available.
* Power saving circuit is only available in the "Z" type.

Electrical entry

G	Grommet, 300 mm lead wire	
H	Grommet, 600 mm lead wire	
L	L plug connector	With lead wire
LN		Without lead wire
LO		Without connector
M	M plug connector	With lead wire
MN		Without lead wire
MO		Without connector
WO	M8 connector	Without connector cable

Note) For connector cable of M8 connector, refer to page 1-4-210.

For DC: SY100-30-4A

For 100 VAC: SY100-30-1A

For 200 VAC: SY100-30-2A

For other voltages of AC: SY100-30-3A

Without lead wire: SY100-30-A

Only connector and sockets (x 2 pcs.)

Lead wire length

Nil	300 mm
6	600 mm
10	1000 mm
15	1500 mm
20	2000 mm
25	2500 mm
30	3000 mm
50	5000 mm

SV

SZ

SY

SYJ

SX

DIN terminal type

V115 5 D

Rated voltage

5	24 VDC
6	12 VDC
1	100 VAC ⁵⁰ / ₆₀ Hz
2	200 VAC ⁵⁰ / ₆₀ Hz
3	110 VAC ⁵⁰ / ₆₀ Hz [115 VAC ⁵⁰ / ₆₀ Hz]
4	220 VAC ⁵⁰ / ₆₀ Hz [230 VAC ⁵⁰ / ₆₀ Hz]

* DC specifications of type "D", "DO" is only available with 12 and 24 VDC.

Light/Surge voltage suppressor

Nil	Without light/surge voltage suppressor
S	With surge voltage suppressor (Non-polar type)
Z	With light/surge voltage suppressor (Non-polar type)

* "DOZ" is not available.
* For AC voltage valves there is no "S" option. It is already built-in to the rectifier circuit.

Electrical entry

D	DIN terminal	With connector
DO	DIN terminal	Without connector

Note) Do not replace V111 (G, H, L, M) to V115 (DIN terminal) and vice versa when replacing pilot valve assembly only.

How to Order M8 Connector Cable

Straight type

V100-49-1

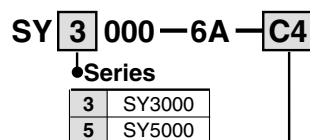
Cable length

1	300 mm
2	500 mm
3	1000 mm
4	2000 mm
7	5000 mm

Series SY3000/5000/7000 Type 60

How to Order Port Block Assembly

Series SY3000



A, B port size Thread piping

Symbol	Port size	Applicable series
M5	M5 x 0.8	SY3000
O1	1/8	SY5000

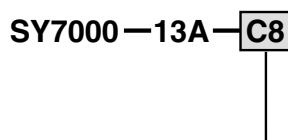
One-touch fitting (Metric size)

Symbol	Port size	Applicable series
C4	One-touch fitting for ø4	SY3000
C6	One-touch fitting for ø6	
C4	One-touch fitting for ø4	SY5000
C6	One-touch fitting for ø6	
C8	One-touch fitting for ø8	

One-touch fitting (Inch size)

Symbol	Port size	Applicable series
N3	One-touch fitting for ø5/32"	SY3000
N7	One-touch fitting for ø1/4"	
N3	One-touch fitting for ø5/32"	SY5000
N7	One-touch fitting for ø1/4"	
N9	One-touch fitting for ø5/16"	

Series SY7000



A, B port size Thread piping

Symbol	Port size	Applicable series
O2	1/4	SY7000

One-touch fitting (Metric size)

Symbol	Port size	Applicable series
C8	One-touch fitting for ø8	SY7000
C10	One-touch fitting for ø10	

One-touch fitting (Inch size)

Symbol	Port size	Applicable series
N9	One-touch fitting for ø5/16"	SY7000
N11	One-touch fitting for ø3/8"	

How to Change Port Block Assembly

Connecting port size of A and B can be changed by replacing port block assembly mounted on body. When changing block assembly, correct screw torque must be achieved to avoid trouble; e.g. air leakage.

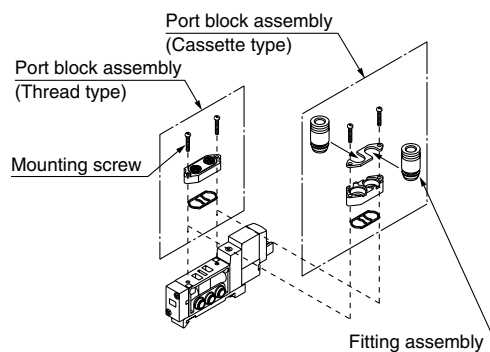
With the one-touch fitting port block assembly, it is only necessary to change the fitting and not the whole block. Refer to following part numbers.

One-touch fitting (Metric size)

Port size	Fitting assembly part no.	Applicable series
One-touch fitting for ø4	VVQ1000-50A-C4	SY3000
One-touch fitting for ø6	VVQ1000-50A-C6	
One-touch fitting for ø4	VVQ1000-51A-C4	SY5000
One-touch fitting for ø6	VVQ1000-51A-C6	
One-touch fitting for ø8	VVQ1000-51A-C8	
One-touch fitting for ø8	VVQ2000-51A-C8	SY7000
One-touch fitting for ø10	VVQ2000-51A-C10	

One-touch fitting (Inch size)

Port size	Fitting assembly part no.	Applicable series
One-touch fitting for ø5/32"	VVQ1000-50A-N3	SY3000
One-touch fitting for ø1/4"	VVQ1000-50A-N7	
One-touch fitting for ø5/32"	VVQ1000-51A-N3	SY5000
One-touch fitting for ø1/4"	VVQ1000-51A-N7	
One-touch fitting for ø5/16"	VVQ1000-51A-N9	
One-touch fitting for ø1/4"	VVQ2000-51A-N9	SY7000
One-touch fitting for ø3/8"	VVQ2000-51A-N11	



⚠ Caution

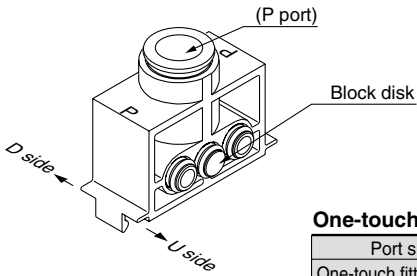
Mounting screw tightening torques

SY3000(M2): 0.12 N·m
SY5000, 7000 (M3): 0.6 N·m

* Refer to "How to Change Port Block Assembly" for part numbers.

Manifold Option

Individual SUP block assembly



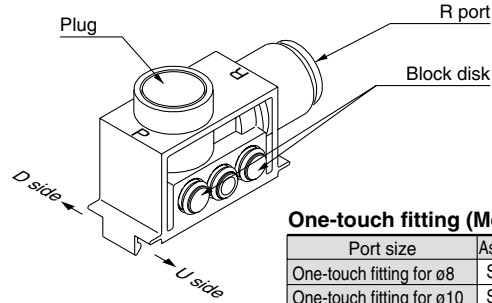
One-touch fitting (Metric size)

Port size	Assembly part no.	Applicable series
One-touch fitting for ø6	SY3000-54-2C	SY3000
One-touch fitting for ø8	SY3000-54-1C	SY3000
One-touch fitting for ø10	SY5000-54-1C	SY5000
One-touch fitting for ø12	SY7000-54-1C	SY7000

One-touch fitting (Inch size)

Port size	Assembly part no.	Applicable series
One-touch fitting for ø5/16"	SY3000-54-3C	SY3000
One-touch fitting for ø3/8"	SY5000-54-2C	SY5000
One-touch fitting for ø3/8"	SY7000-54-3C	SY7000

Individual EXH block assembly



One-touch fitting (Metric size)

Port size	Assembly part no.	Applicable series
One-touch fitting for ø8	SY3000-55-1B	SY3000
One-touch fitting for ø10	SY5000-55-1B	SY5000
One-touch fitting for ø12	SY7000-55-1B	SY7000

One-touch fitting (Inch size)

Port size	Assembly part no.	Applicable series
One-touch fitting for ø5/16"	SY3000-55-2B	SY3000
One-touch fitting for ø3/8"	SY5000-55-2B	SY5000
One-touch fitting for ø3/8"	SY7000-55-3B	SY7000

SV

SZ

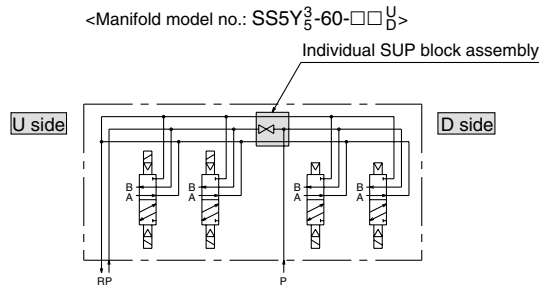
SY

SYJ

SX

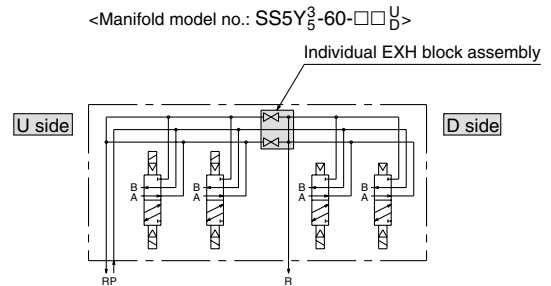
[When supplying the manifold with 2 different supply pressures.]

Specify arrangement of individual SUP block assembly on the manifold specification sheet. (When using SS5Y□-60-□□D, block disk is assembled on D side.)



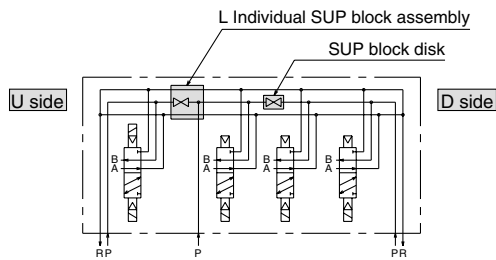
[When 2 different EXH passages are required.]

Specify arrangement of individual EXH block assembly on the manifold specification sheet. (When using SS5Y□-60-□□D, block disk is assembled on D side.)



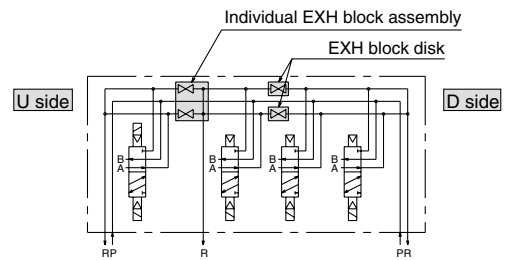
[When a different supply pressure is required for only a middle valve.]

Specify arrangement of individual SUP block assembly and SUP block disk on the manifold specification sheet. (Applicable manifold model no.: SS5Y□-60-□□B)



[When a separate exhaust passage is needed on only a middle valve.]

Specify arrangement of individual EXH block assembly and EXH block disk on the manifold specification sheet. (Applicable manifold model no.: SS5Y□-60-□□B)



Manifold Option

■ SUP block disk

By installing a SUP block disk in the pressure supply passage of a manifold valve, it is possible to supply two or more different high and low pressures to one manifold. (This is the same block disk used with the individual SUP block assembly.)



Series	Part no.
SY3000	SY3000-52-2A
SY5000	SY5000-52-4A
SY7000	SY7000-70-2A

■ EXH block disk

By installing an EXH block disk in the exhaust passage of a manifold valve, it is possible to divide the valve's exhaust so that it does not affect another valve. (Two blocking disks are needed to separate both EXH passages. It is the same block disk that is used in the individual EXH block assembly.)



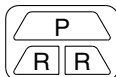
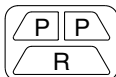
Series	Part no.
SY3000	SY3000-52-2A
SY5000	SY5000-52-4A
SY7000	SY7000-70-2A

■ Label for block disk

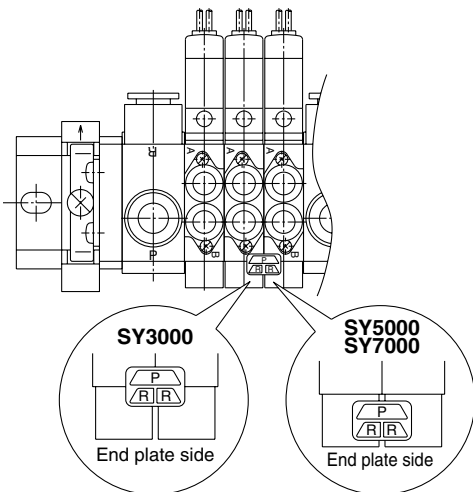
The labels shown below are used on manifold stations containing SUP/EXH block disk(s) to show their location. (3 pcs. each)

VZ3000-123-1A

Label for SUP block disk Label for EXH block disk Label for SUP/EXH block disk

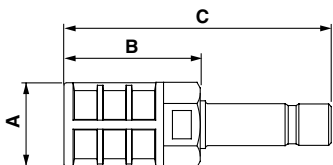


* When a block disk is concurrently ordered by specifying on the manifold specification sheet, etc., a label will be stuck on the position where block disk is mounted.



■ Silencer with One-touch fitting

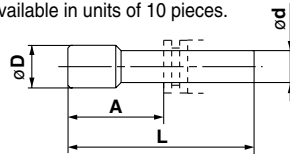
The silencer plugs directly into the One-touch fittings of the manifold.



Series	Model	Effective area	A	B	C
SY3000 (for ø8)	AN203-KM8	14 mm ²	ø16	26	51
SY5000 (for ø10)	AN200-KM10	26 mm ²	ø22	54	80.8
	AN300-KM10	30 mm ²	ø25	70	97
SY7000 (for ø12)	AN300-KM12	41 mm ²	ø25	70	98

■ Plug (white)

These are inserted in unused cylinder ports and SUP, EXH ports. Purchasing order is available in units of 10 pieces.



Dimensions

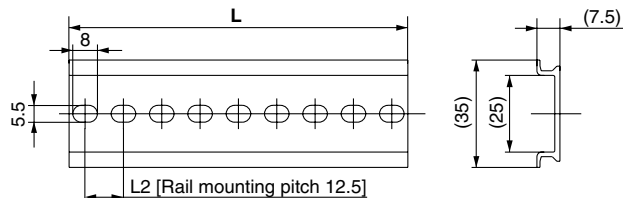
Applicable fittings size ød	Model	A	L	D
4	KQ2P-04	16	32	6
6	KQ2P-06	18	35	8
8	KQ2P-08	20.5	39	10
10	KQ2P-10	22	43	12
12	KQ2P-12	24	45.5	14
5/32"	KQ2P-03	16	32	6
1/4"	KQ2P-07	18	35	8.5
5/16"	KQ2P-09	20.5	39	10
3/8"	KQ2P-11	22	43	11.5

■ DIN Rail Dimensions/Weight for SY3000/5000

VZ1000-11-1-□

• Refer to the L dimension tables

* Enter a number from the DIN rail dimension table below in them.



No.	0	1	2	3	4	5	6	7	8	9
L dimension	98	110.5	123	135.5	148	160.5	173	185.5	198	210.5
Weight (g)	17.6	19.9	22.1	24.4	26.6	28.9	31.1	33.4	35.6	37.9

No.	10	11	12	13	14	15	16	17	18	19
L dimension	223	235.5	248	260.5	273	285.5	298	310.5	323	335.5
Weight (g)	40.1	42.4	44.6	46.9	49.1	51.4	53.6	55.9	58.1	60.4

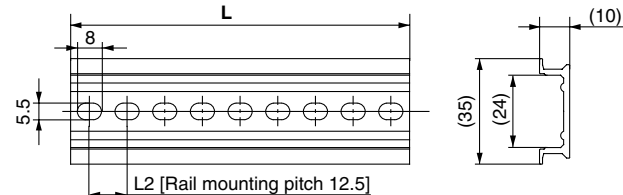
No.	20	21	22	23	24	25	26	27	28	29
L dimension	348	360.5	373	385.5	398	410.5	423	435.5	448	460.5
Weight (g)	62.6	64.9	67.1	69.4	71.6	73.9	76.1	78.4	80.6	82.9

■ DIN Rail Dimensions/Weight for SY7000

VZ1000-11-4-□

• Refer to the L dimension tables

* Enter a number from the DIN rail dimension table below in them.



No.	0	1	2	3	4	5	6	7	8	9
L dimension	98	110.5	123	135.5	148	160.5	173	185.5	198	210.5
Weight (g)	24.8	28	31.1	34.3	37.4	40.6	43.8	46.9	50.1	53.3

No.	10	11	12	13	14	15	16	17	18	19
L dimension	223	235.5	248	260.5	273	285.5	298	310.5	323	335.5
Weight (g)	56.4	59.6	62.7	65.9	69.1	72.2	75.4	78.6	81.7	84.9

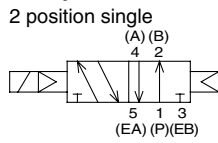
No.	20	21	22	23	24	25	26	27	28	29
L dimension	348	360.5	373	385.5	398	410.5	423	435.5	448	460.5
Weight (g)	88	91.2	94.4	97.5	100.7	103.9	107	110.2	113.3	116.5

Note) For DIN rail mounting, refer to page 1-4-210.

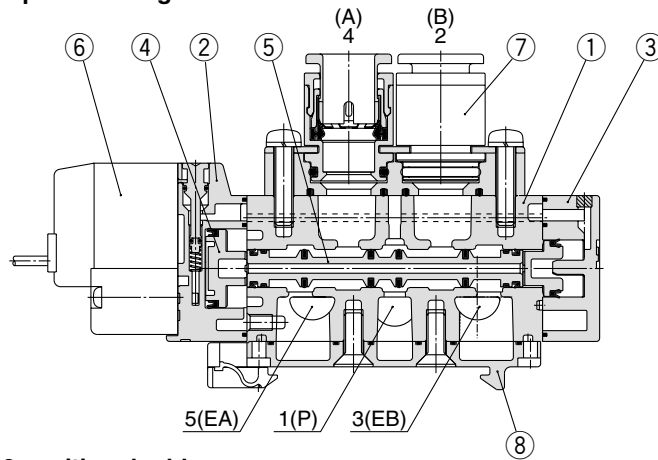
Construction

Series SY

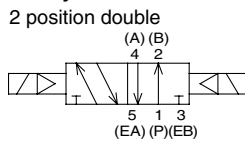
JIS Symbol



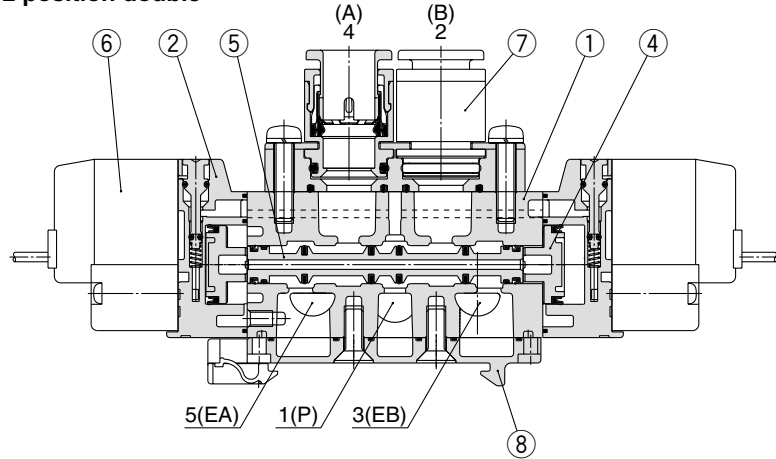
2 position single



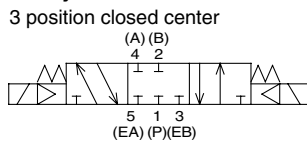
JIS Symbol



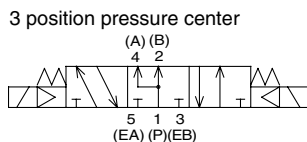
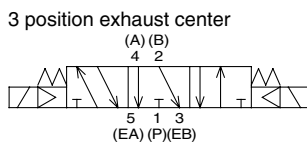
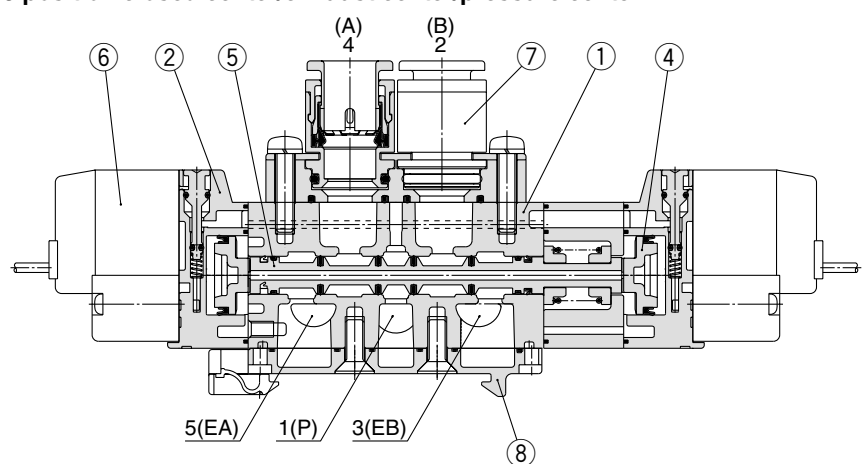
2 position double



JIS Symbol



3 position closed center/exhaust center/pressure center



(This figure shows a closed center type.)

Component Parts

No.	Description	Material	Note
①	Body	Aluminum die-casted SY3000: (Zinc die-casted)	White
②	Adapter plate	Resin	White
③	End plate	Resin	White
④	Piston	Resin	—
⑤	Spool valve assembly	Aluminum/NBR	—

Replacement Parts

No.	Description	Part no.
⑥	Pilot valve assembly	Refer to "How to Order Pilot Valve Assembly" on page 1-4-69.
⑦	Port block assembly	Refer to "How to Order Port Block Assembly" on page 1-4-70.
⑧	Bottom cover assembly ^{Note)}	SY3000-41-2A (with screw, gasket)
		SY5000-41-2A (with screw, gasket)

Note) There is no bottom cover assembly available for SY7000.

SV

SZ

SY

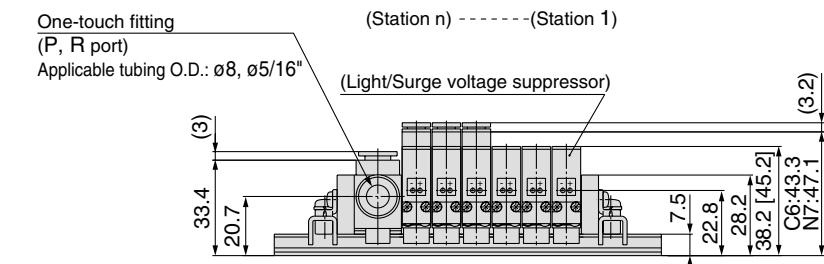
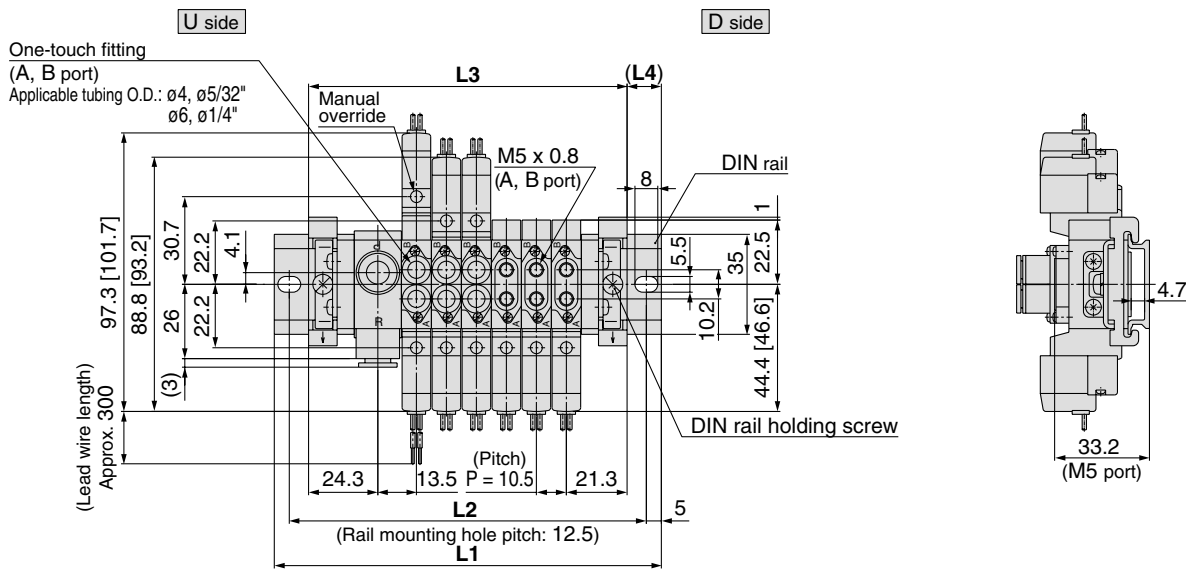
SYJ

SX



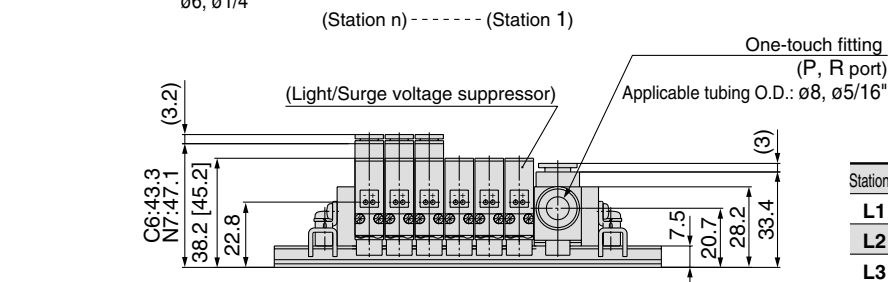
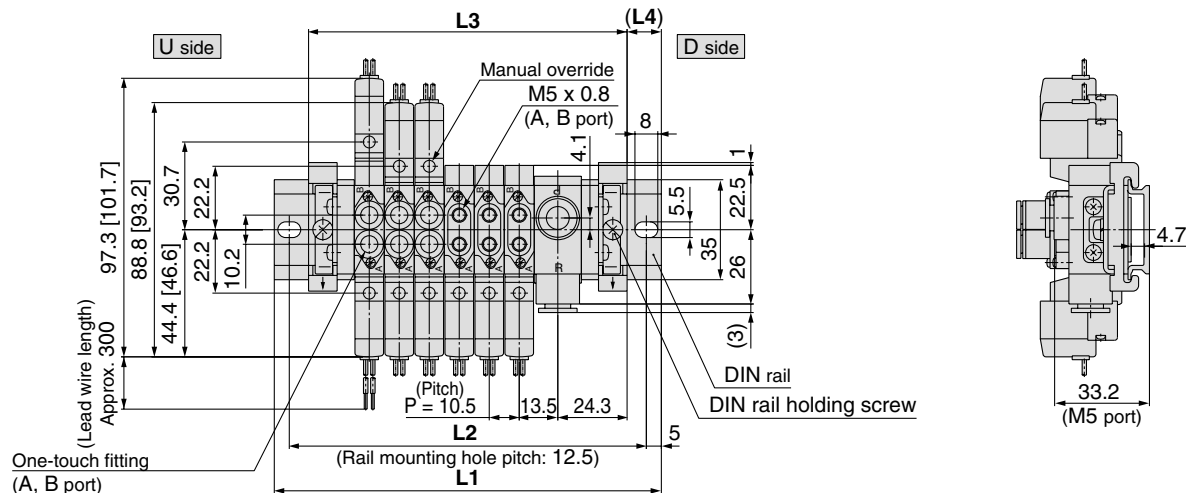
Dimensions

SS5Y3-60- Stations U



Stations	2 stations	3	4	5	6	7	8	9	10 stations
L1	98	110.5	123	135.5	135.5	148	160.5	173	185.5
L2	87.5	100	112.5	125	125	137.5	150	162.5	175
L3	69.5	80	90.5	101	111.5	122	132.5	143	153.5
L4	14	15	16	17	12	13	14	15	16

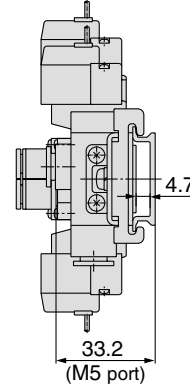
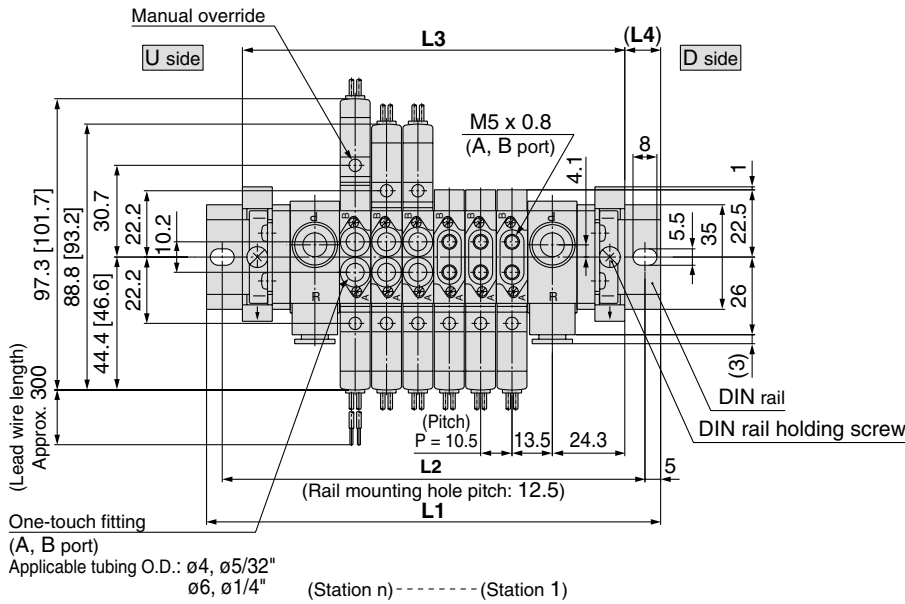
SS5Y3-60- Stations D



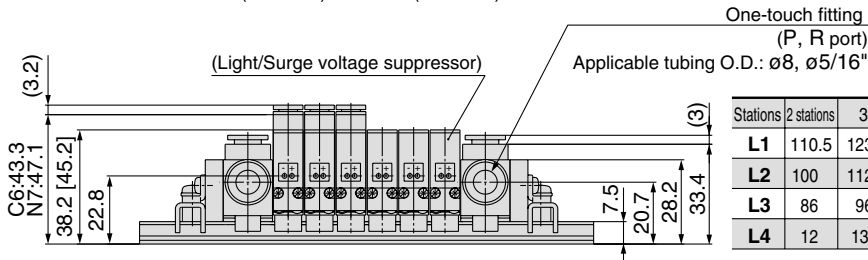
Stations	2 stations	3	4	5	6	7	8	9	10 stations
L1	98	110.5	123	135.5	135.5	148	160.5	173	185.5
L2	87.5	100	112.5	125	125	137.5	150	162.5	175
L3	69.5	80	90.5	101	111.5	122	132.5	143	153.5
L4	14	15	16	17	12	13	14	15	16



SS5Y3-60- Stations B



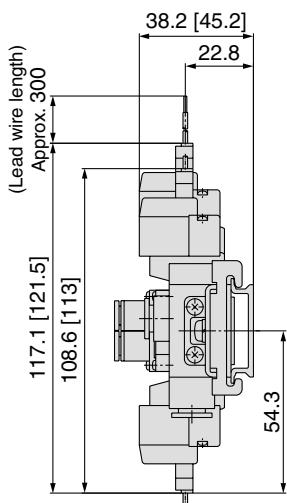
- SV
- SZ
- SY**
- SYJ
- SX



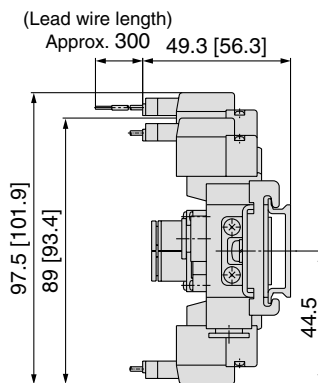
Stations	2 stations	3	4	5	6	7	8	9	10 stations
L1	110.5	123	135.5	148	160.5	173	173	185.5	198
L2	100	112.5	125	137.5	150	162.5	162.5	175	187.5
L3	86	96.5	107	117.5	128	138.5	149	159.5	170
L4	12	13	14	15	16	17	12	13	14

Stations	11 stations	12	13	14	15	16	17	18	19	20 stations
L1	210.5	223	235.5	235.5	248	260.5	273	285.5	298	310.5
L2	200	212.5	225	225	237.5	250	262.5	275	287.5	300
L3	180.5	191	201.5	212	222.5	233	243.5	254	264.5	275
L4	15	16	17	11.5	12.5	13.5	14.5	15.5	16.5	17.5

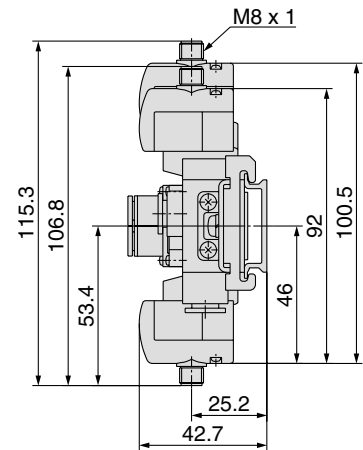
L plug connector (L)



M plug connector (M)



M8 connector (WO)

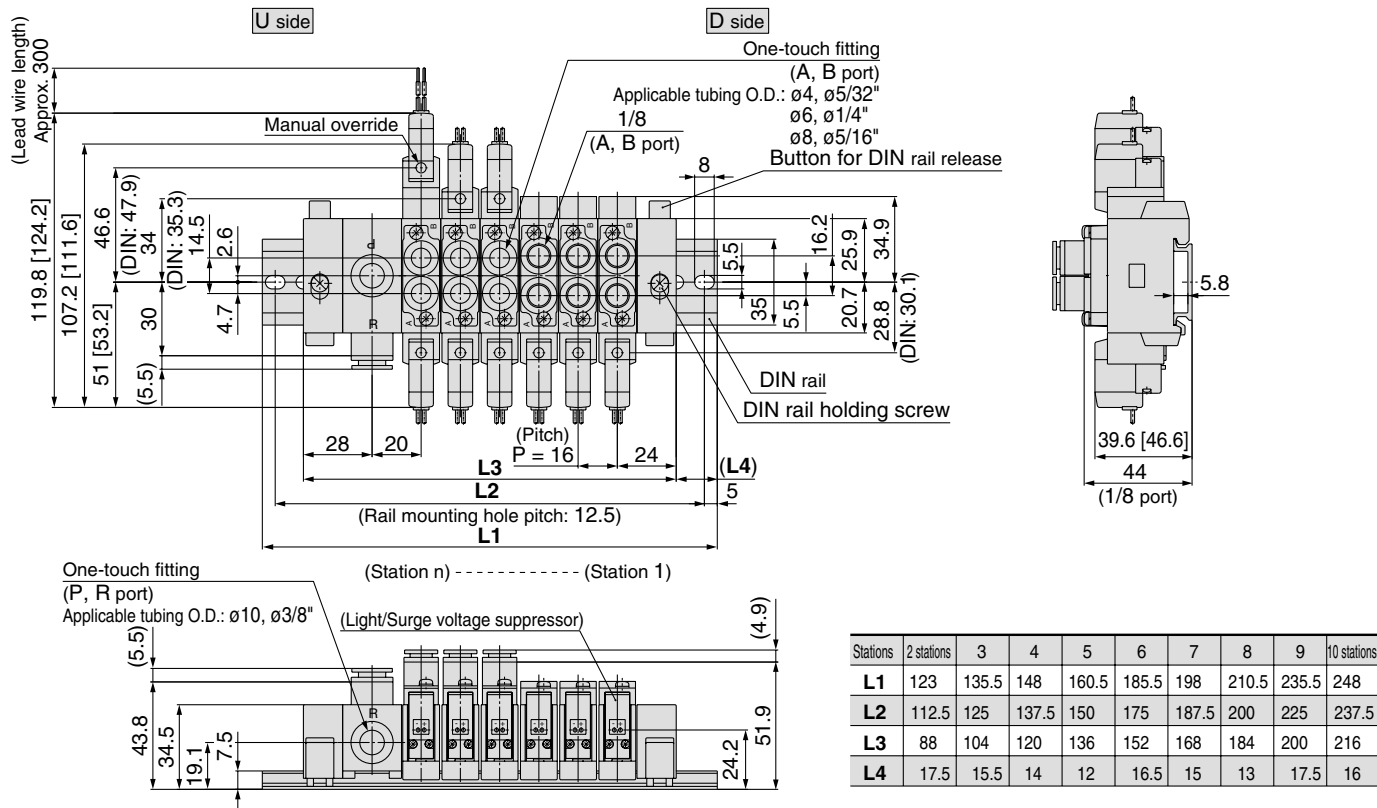


Note) Refer to page 1-4-210 for dimensions of connector types.

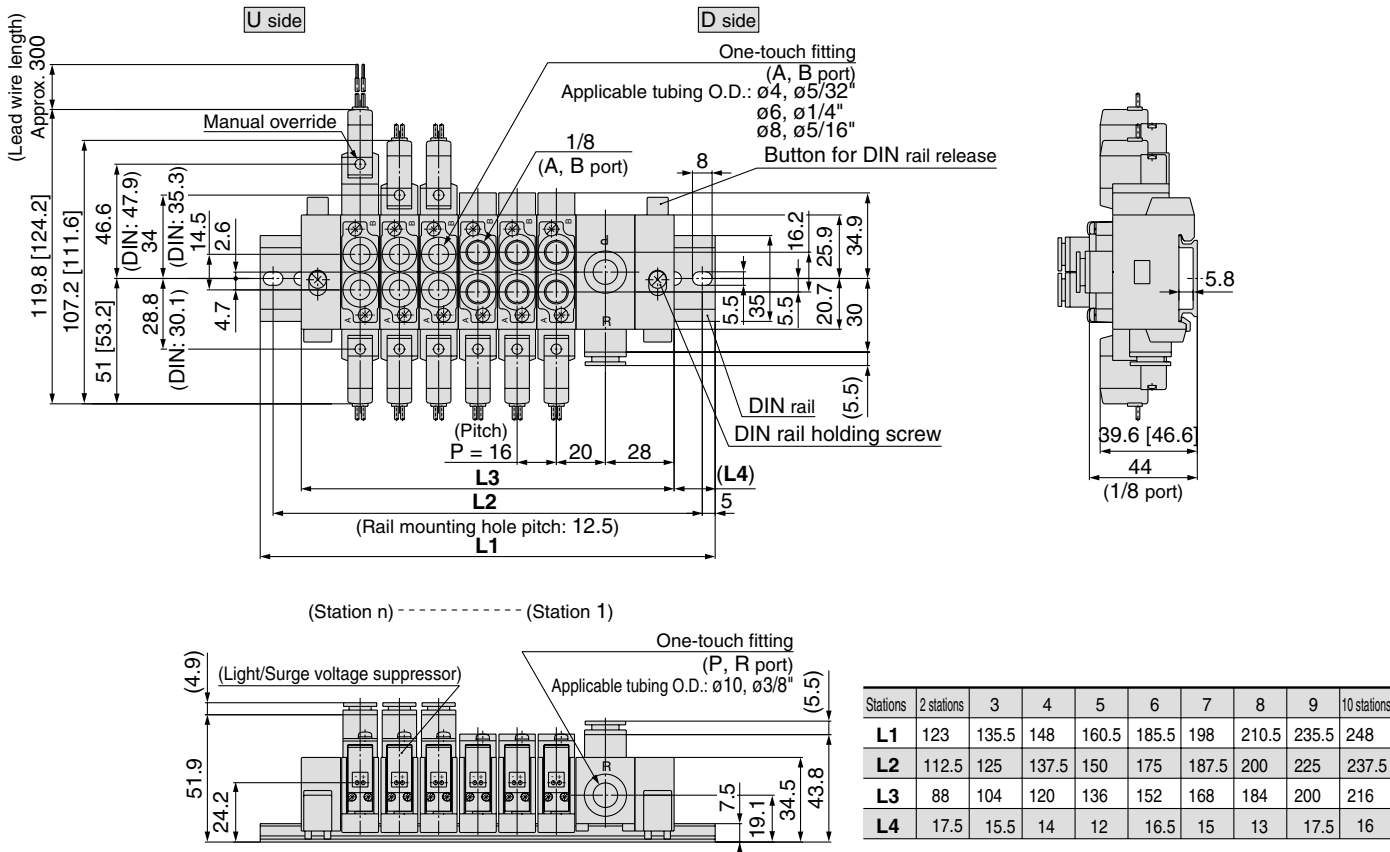


Dimensions (mm)

SS5Y5-60- Stations U

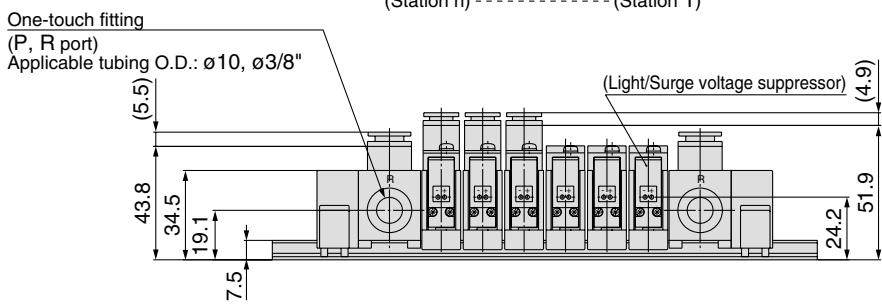
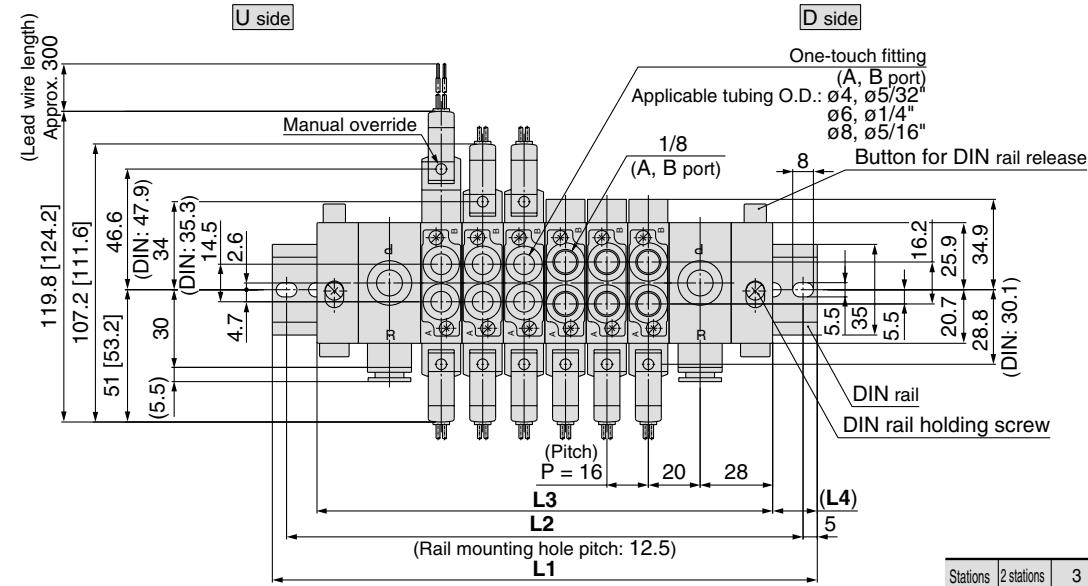


SS5Y5-60- Stations D





SS5Y5-60- Stations B



Stations	2 stations	3	4	5	6	7	8 stations
L1	135.5	160.5	173	185.5	210.5	223	235.5
L2	125	150	162.5	175	200	212.5	225
L3	112	128	144	160	176	192	208
L4	11.5	16	14.5	12.5	17.5	15.5	13.5

Stations	9 stations	10	11	12	13	14	15 stations
L1	248	273	285.5	298	323	335.5	348
L2	237.5	262.5	275	287.5	312.5	325	337.5
L3	224	240	256	272	288	304	320
L4	12	16.5	14.5	13	17.5	15.5	14

Stations	16 stations	17	18	19	20 stations
L1	360.5	385.5	398	410.5	435.5
L2	350	375	387.5	400	425
L3	336	352	368	384	400
L4	12	16.5	15	13	17.5

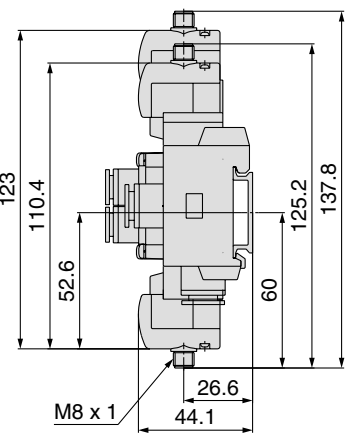
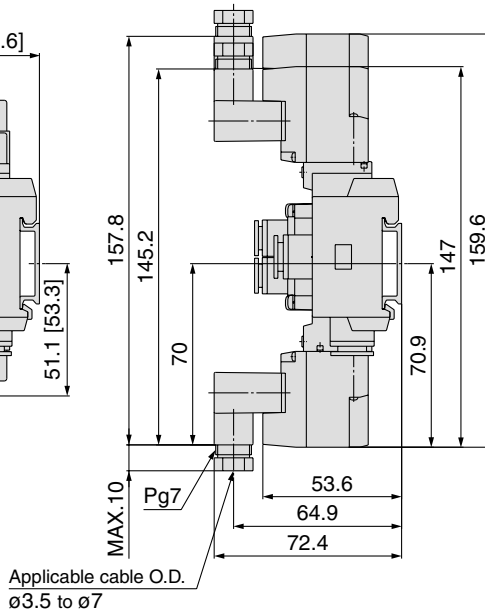
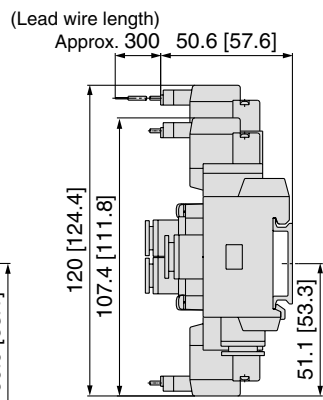
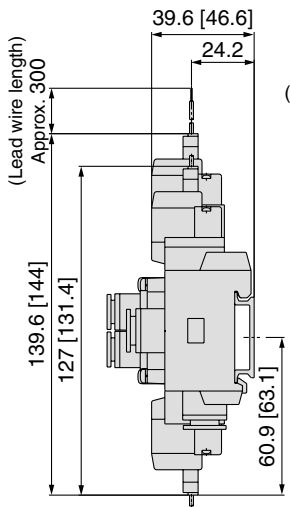
- SV
- SZ
- SY
- SYJ
- SX

L plug connector (L)

M plug connector (M)

DIN terminal (D)

M8 connector (WO)

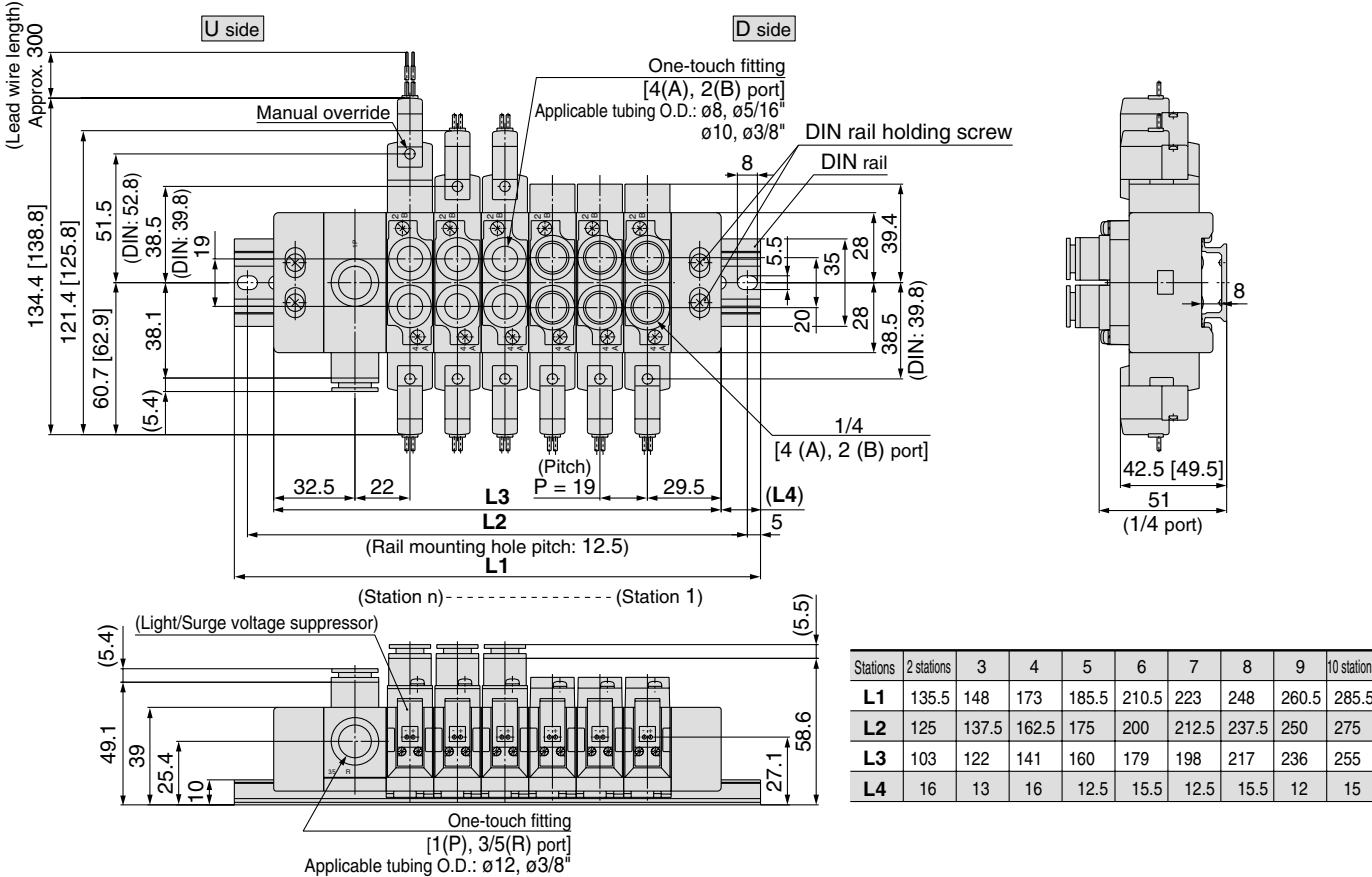


Note) Refer to page 1-4-210 for dimensions of connector types.

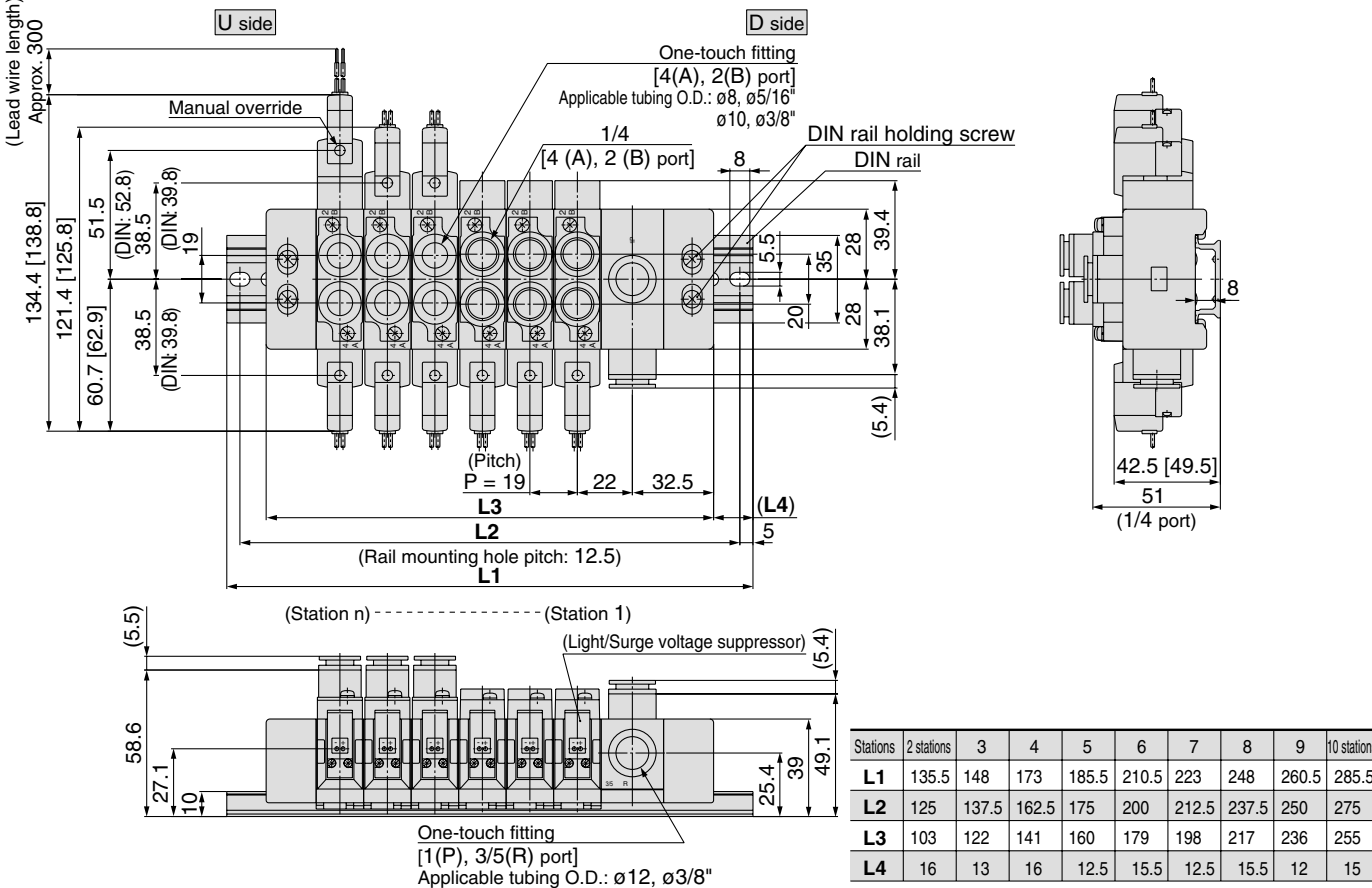


Dimensions

SS5Y7-60- Stations U

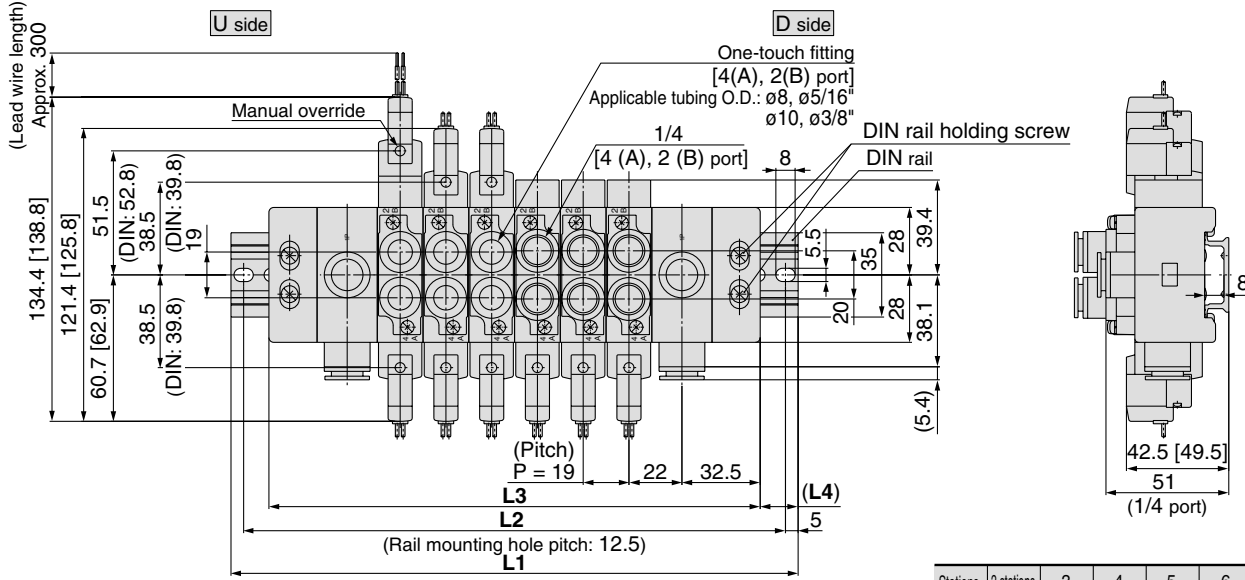


SS5Y7-60- Stations D

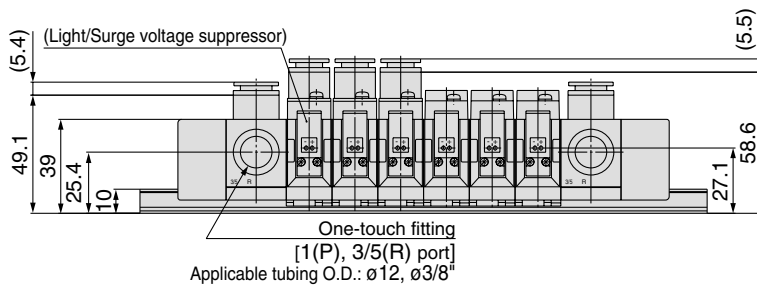




SS5Y7-60- Stations B



(Station n) ----- (Station 1)



Stations	2 stations	3	4	5	6	7	8 stations
L1	160.5	173	198	210.5	235.5	248	273
L2	150	162.5	187.5	200	225	237.5	262.5
L3	128	147	166	185	204	223	242
L4	16	13	16	12.5	15.5	12.5	15.5

Stations	9 stations	10	11	12	13	14	15 stations
L1	285.5	310.5	323	348	360.5	385.5	410.5
L2	275	300	312.5	337.5	350	375	400
L3	261	280	299	318	337	356	375
L4	12	15	12	15	11.5	14.5	17.5

Stations	16 stations	17	18	19	20 stations
L1	423	448	460.5	485.5	498
L2	412.5	437.5	450	475	487.5
L3	394	413	432	451	470
L4	14.5	17.5	14	17	14

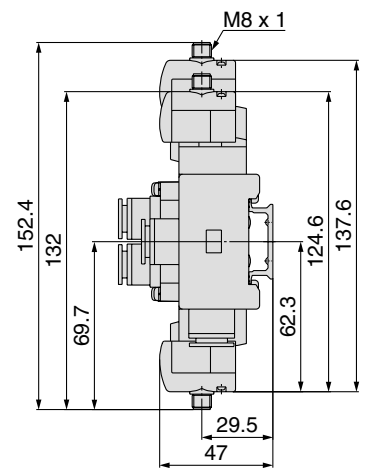
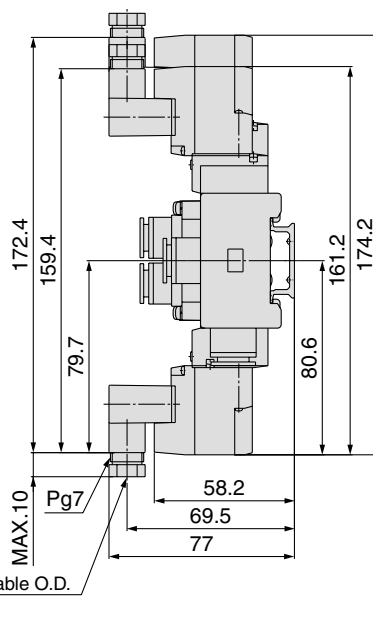
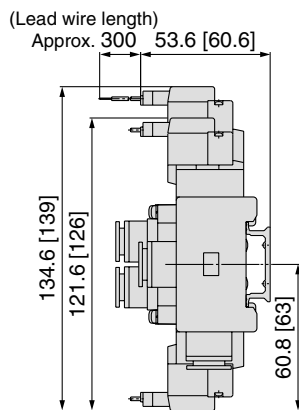
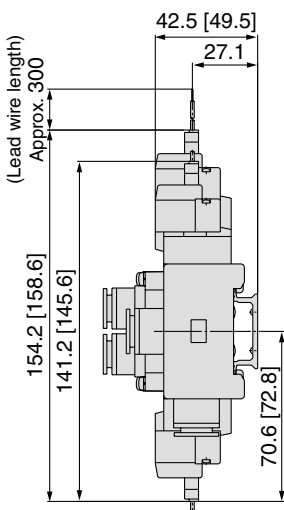
- SV
- SZ
- SY
- SYJ
- SX

L plug connector (L)

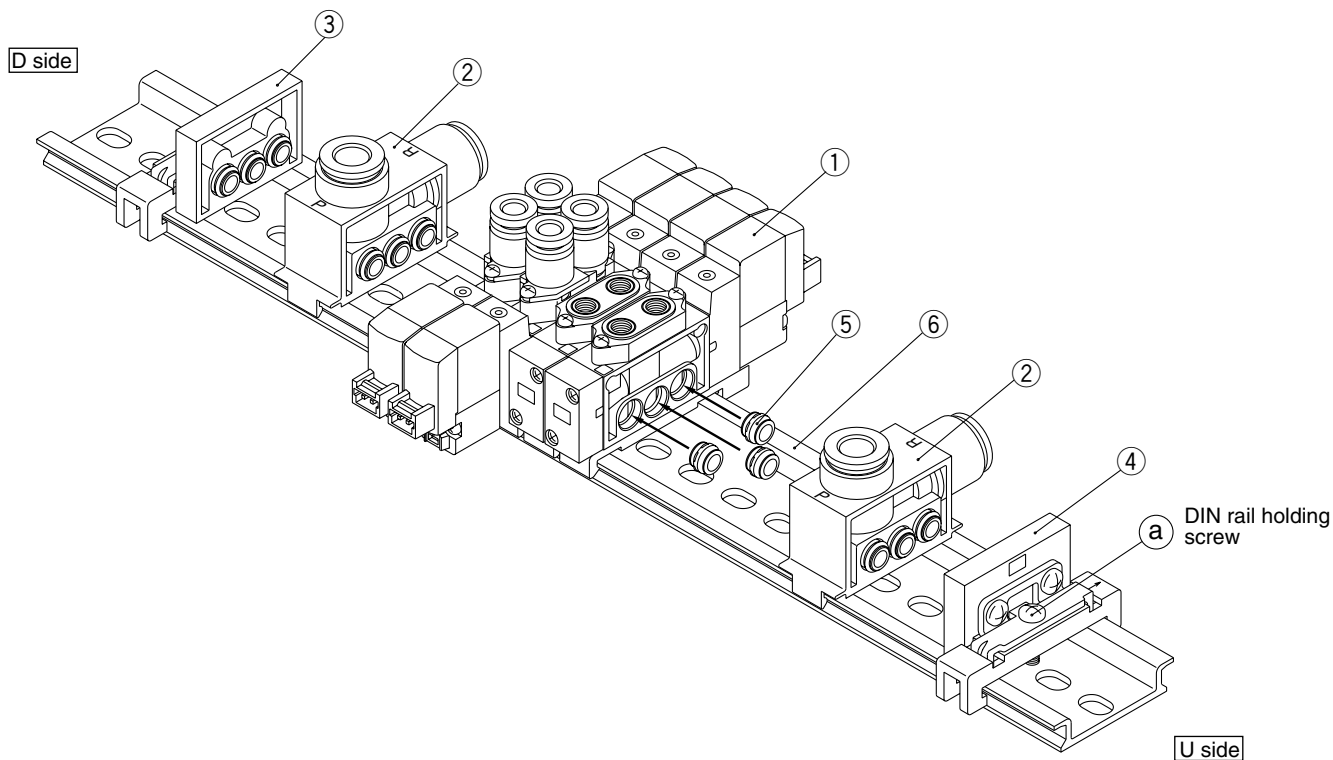
M plug connector (M)

DIN terminal (D)

M8 connector (WO)

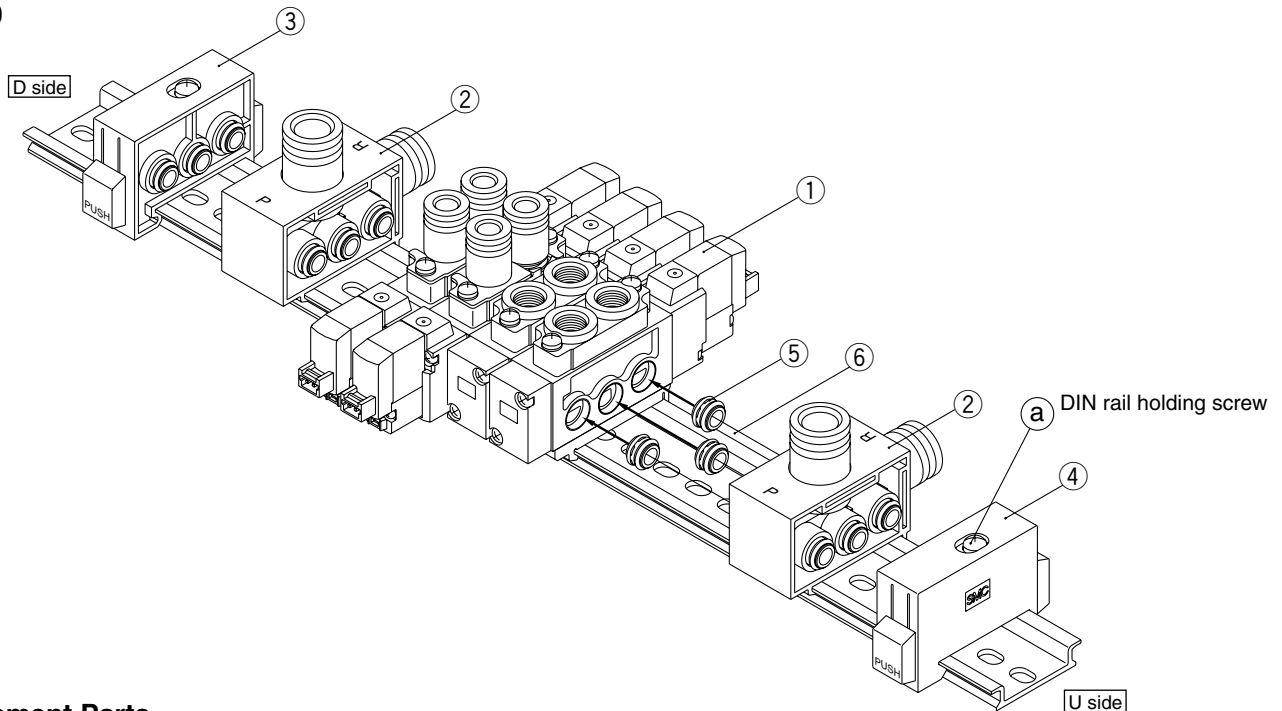


Note) Refer to page 1-4-210 for dimensions of connector types.

DIN Rail Manifold Exploded View**SY3000****Type 60****Replacement Parts**

No.	Description	Part no.	Note
①	Valve	SY3□60-□□-□	□ at the end of part number denotes A. B port size: M5, C4, C6, N3, N7. Includes bushing assembly (SY3000-52-1A) 3 pcs.
②	SUP/EXH block assembly	SY3000-55-¹/₂A	P, R port (1: One-touch fitting for ø8, 2: One-touch fitting for ø5/16") Includes bushing assembly (SY3000-52-1A) 3 pcs.
③	End block assembly	SY3000-56-1A	For D side (Bushing assembly: Not available for SY3000-52-1A)
④	End block assembly	SY3000-56-1B	For U side (Bushing assembly: Not available for SY3000-52-1A)
⑤	Bushing assembly	SY3000-52-1A	
⑥	DIN rail	VZ1000-11-1-□	Refer to page 1-4-72.

SY5000
Type 60



- SV
- SZ
- SY
- SYJ
- SX

Replacement Parts

No.	Description	Part no.	Note
①	Valve	SY5□60-□□-□	□ at the end of part number denotes A. B port size: 01, C4, C6, C8, N3, N7, N9. Includes bushing assembly (SY5000-52-1A) 3 pcs.
②	SUP/EXH block assembly	SY5000-55- $\frac{1}{2}$ A	P, R port (1: One-touch fitting for $\phi 10$, 2: One-touch fitting for $\phi 3/8$ ") Includes bushing assembly (SY5000-52-1A) 3 pcs.
③	End block assembly	SY5000-56-1A	For D side (Bushing assembly: Not available for SY5000-52-1A)
④	End block assembly	SY5000-56-1B	For U side (Bushing assembly: Not available for SY5000-52-1A)
⑤	Bushing assembly	SY5000-52-1A	
⑥	DIN rail	VZ1000-11-1-□	Refer to page 1-4-72.

How to Increase Additional Valves to the DIN Rail Valves can be added at any station on the rail.

- 1 Loosen the manifold base clamping screw (a).
- 2 Separate the valves at the point where more valves are to be added.
- 3 Mount the additional valves on the DIN rail as shown in Fig. (1).
- 4 Connect them together while pressing the block assemblies toward each others, and tighten the holding screw (a) to fix them to the DIN rail.

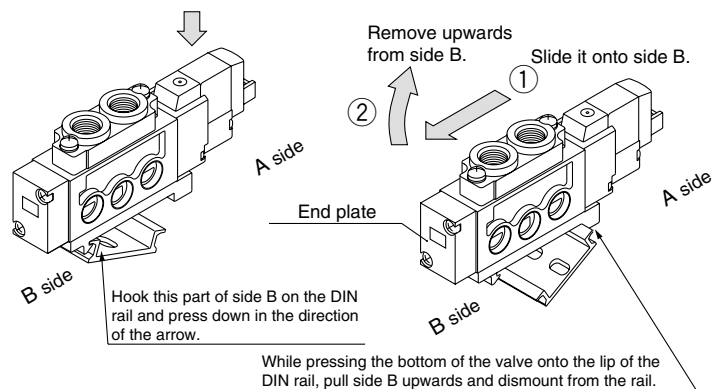
Caution

Tightening torque
SY3000: 1 N·m
SY5000: 1.4 N·m

(While lightly holding the blocks after fixing an end block on one side, tighten the other end block for better sealing after no gap between valves is confirmed.)

- Bushing assembly must be seated properly to each valve block in order to prevent air leaks from occurring.
- Refer to the Fig. (2) when dismantling the valve from the DIN rail.

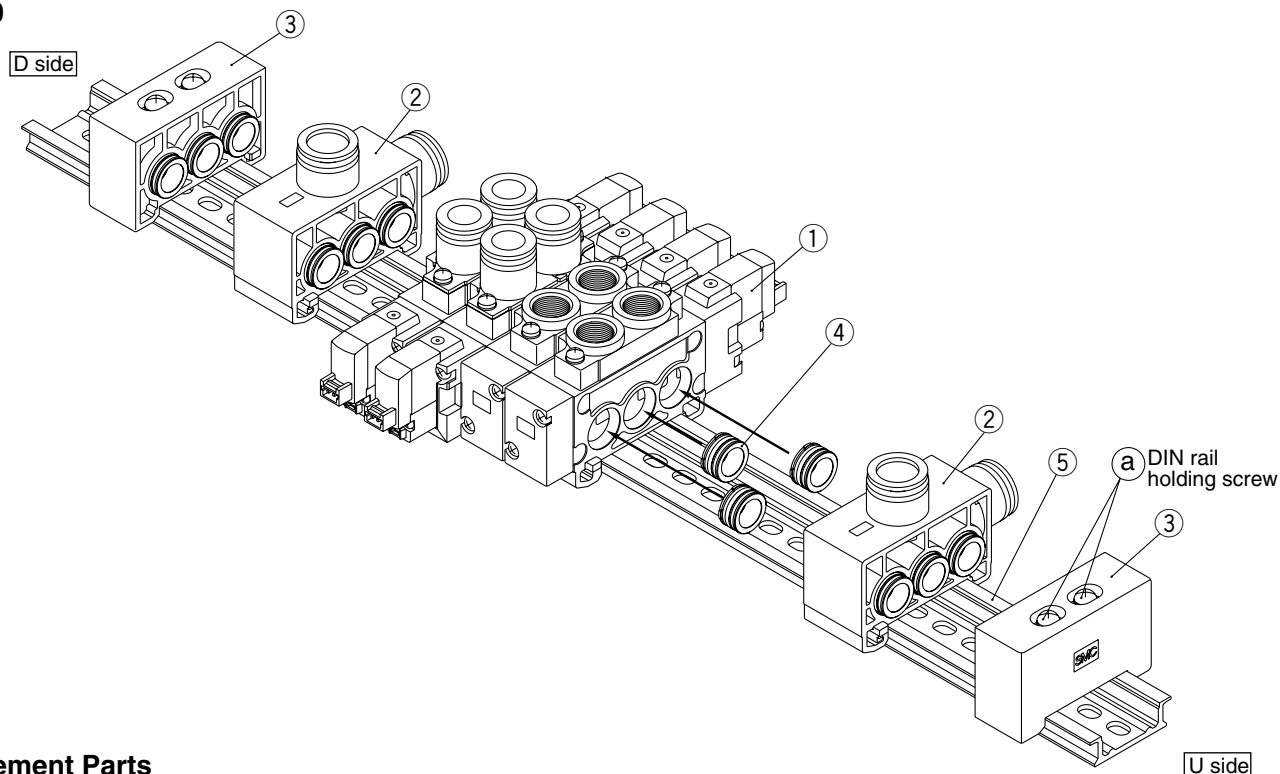
Fig. (1) Manifold mounting procedure Fig. (2) Manifold dismantling procedure



Caution

When clamping screw (a) of the end block is not sufficiently tightened during reassembly, air leakage may result. Before supplying air, check that there are no gaps between valves and that the end block is firmly secured to the DIN rail in order to ensure air supply without leakage.

DIN Rail Manifold Exploded View

SY7000
Type 60

Replacement Parts

No.	Description	Part no.	Note
①	Valve	SY7□60-□□-□	□ at the end of part number denotes A. B port size: 02, C8, C10, N9, N11. Includes bushing assembly (SY5000-52-1A) 3 pcs.
②	SUP/EXH block assembly	SY7000-75- $\frac{1}{3}$ A	
③	End block assembly	SY7000-56-1A	In common for D side and U side (Bushing assembly: Not available for SY7000-70-1A.)
④	Bushing assembly	SY7000-70-1A	
⑤	DIN rail	VZ1000-11-4-□	Refer to page 1-4-72.

How to Increase Additional Valves to the DIN Rail Valves can be added at any station on the rail.

- 1 Loosen the rail holding screw (a) at both of 2 locations which holds the manifold base either in the U side or D side.
When removing the end block assembly from the DIN rail, loosen the holding screws for DIN rail at first, then slide it to the edge of the rail.
- 2 Separate the valves at the point where more valves are to be added.
- 3 Mount the additional valves on the DIN rail as shown in Fig. (1).
- 4 Connect them together while pressing the block assemblies toward each others, and tighten the 2 holding screws (a) for DIN rail alternately (2 to 3 times) with the prescribed torque (1.4 N-m) to fix them to the DIN rail.

⚠ Caution

Tightening torque

SY7000: 1.4 N-m

(While lightly holding the blocks after fixing an end block on one side, tighten the other end block for better sealing after no gap between valves is confirmed.)

- Bushing assembly must be seated properly to each valve block in order to prevent air leaks from occurring.
- Refer to the Fig. (2) when dismantling the valve from the DIN rail.

Fig. (1) Manifold mounting procedure

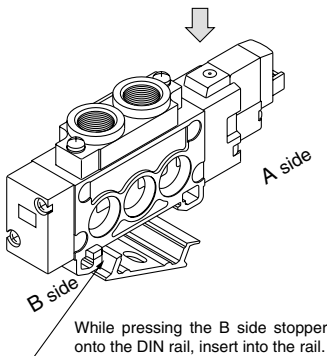
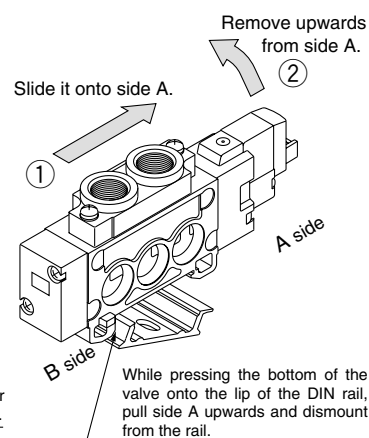


Fig. (2) Manifold dismantling procedure



⚠ Caution

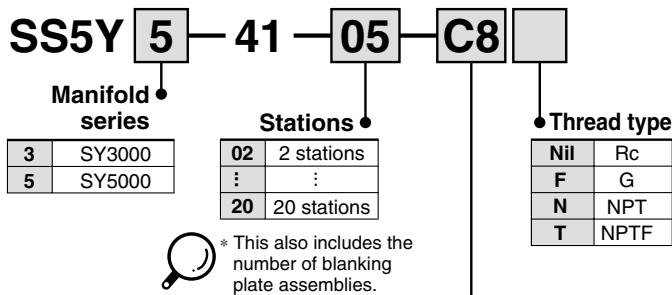
When clamping screw (a) of the end block is not sufficiently tightened during reassembly, air leakage may result. Before supplying air, check that there are no gaps between valves and that the end block is firmly secured to the DIN rail in order to ensure air supply without leakage.

Type **41**
Type **42**

Series SY3000/5000/7000 Base Mounted Monifold Bar Stock Type Individual Wiring

How to Order Manifold

Type 41 (Compact type)



A, B port size Thread piping

Symbol	Port size	Applicable series
M5	M5 x 0.8	SY3000
01	1/8	SY5000

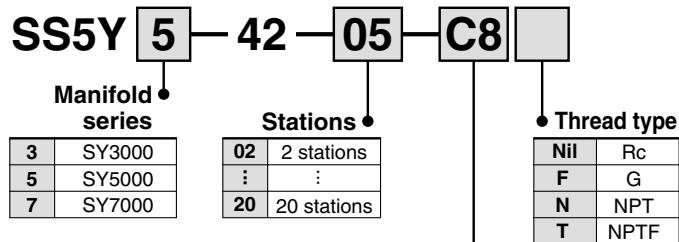
One-touch fitting (Metric size)

Symbol	Port size	Applicable series
C4	One-touch fitting for ø4	SY3000
C6	One-touch fitting for ø6	SY3000
C6	One-touch fitting for ø6	SY5000
C8	One-touch fitting for ø8	SY5000

One-touch fitting (Inch size)

Symbol	Port size	Applicable series
N3	One-touch fitting for ø5/32"	SY3000
N7	One-touch fitting for ø1/4"	SY3000
N7	One-touch fitting for ø1/4"	SY5000
N9	One-touch fitting for ø5/16"	SY5000

Type 42 (External pilot capable type)



A, B port size Thread piping

Symbol	Port size	Applicable series
01	1/8	SY3000
02	1/4	SY5000
02	1/4	SY7000

One-touch fitting (Metric size)

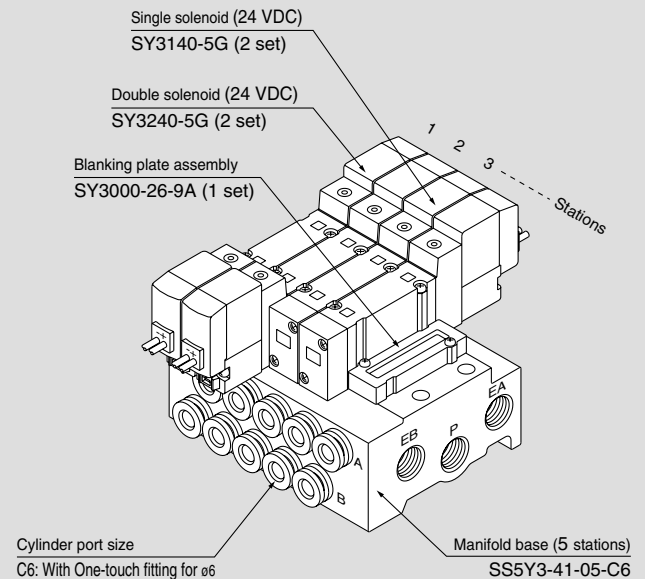
Symbol	Port size	Applicable series
C4	One-touch fitting for ø4	SY3000
C6	One-touch fitting for ø6	SY3000
C6	One-touch fitting for ø6	SY5000
C8	One-touch fitting for ø8	SY5000
C10	One-touch fitting for ø10	SY7000

One-touch fitting (Inch size)

Symbol	Port size	Applicable series
N3	One-touch fitting for ø5/32"	SY3000
N7	One-touch fitting for ø1/4"	SY3000
N7	One-touch fitting for ø1/4"	SY5000
N9	One-touch fitting for ø5/16"	SY5000
N9	One-touch fitting for ø5/16"	SY7000

How to Order Valve Manifold Assembly

Ordering example



SS5Y3-41-05-C6 1 set (Type 41, 5 stations manifold base part no.)
 *SY3240-5G 2 sets (Double solenoid part no.)
 *SY3140-5G 2 sets (Single solenoid part no.)
 *SY3000-26-9A 1 set (Blanking plate assembly part no.)

The asterisk denotes the symbol for assembly.
Prefix it to the part nos. of the solenoid valve, etc.

Add the valve and option part number under the manifold base part number. In the case of complex arrangement, specify them on the manifold specification sheet.

How to Order Valves

SY 5 2 40 [] [] 5 L [] []

Series

3	SY3000
5	SY5000
7	SY7000

Type of actuation

1	2 position single
2	2 position double
3	3 position closed center
4	3 position exhaust center
5	3 position pressure center

Pilot type

Nil	Internal pilot
R	External pilot

Coil specifications

Nil	Standard
T	With power saving circuit (24 VDC, 12 VDC only)

* Power saving circuit is not available in the case of "D", "DO" or "W□" type.

Rated voltage

DC

5	24 VDC
6	12 VDC
V	6 VDC
S	5 VDC
R	3 VDC

AC (50/60 Hz)

1	100 VAC
2	200 VAC
3	110 VAC [115 VAC]
4	220 VAC [230 VAC]

* DC specifications of type "D" and "DO" is only available with 12 and 24 VDC.
* For type "W□", DC voltage is only available.

Manual override

Nil	Non-locking push type
D	Push-turn locking slotted type
E	Push-turn locking lever type

Light/Surge voltage suppressor

Electrical entry for G, H, L, M, W

Nil	Without light/surge voltage suppressor
S	With surge voltage suppressor
Z	With light/surge voltage suppressor
R	With surge voltage suppressor (Non-polar type)
U	With light/surge voltage suppressor (Non-polar type)

* For AC voltage valves there is no "S" option. It is already built-in to the rectifier circuit.
* For "R" and "U", DC voltage is only available.
* Power saving circuit is only available in the "Z" type.

Electrical entry for D

Nil	Without light/surge voltage suppressor
S	With surge voltage suppressor (Non-polar type)
Z	With light/surge voltage suppressor (Non-polar type)

* "DOZ" is not available.
* For AC voltage valves there is no "S" option. It is already built-in to the rectifier circuit.

Electrical entry

24, 12, 6, 5, 3 VDC/100, 110, 200, 220 VAC			24, 12 VDC/ 100, 110, 200, 220 VAC	24, 12, 6, 5, 3 VDC
Grommet	L plug connector	M plug connector	DIN terminal	M8 connector
G: Lead wire length 300 mm lead H: Lead wire length 600 mm	L: With lead wire (Length 300 mm) LN: Without lead wire LO: Without	M: With lead wire (Length 300 mm) MN: Without lead	D: With connector DO: Without connector	WO: Without connector cable

* "LN", "MN" type: with 2 sockets.
* DIN terminal type "Y" conforming to DIN43650C standard is also available. For details, refer to catalog on page 1-4-201.
* For connector cable of M8 connector, refer to page 1-4-210.

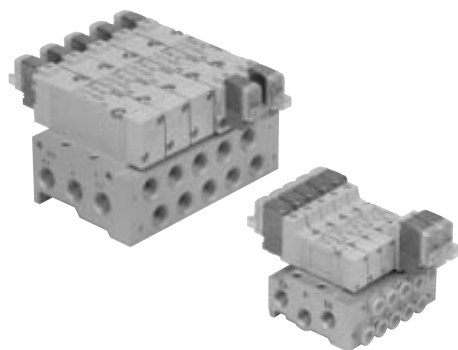
SV

SZ

SY

SYJ

SX



Manifold Specifications

Model	SS5Y3-41	SS5Y3-42	SS5Y5-41	SS5Y5-42	SS5Y7-42	
Applicable valve	SY3□40		SY5□40		SY7□40	
Manifold type	Single base/B mount					
P(SUP)/R(EXH)	Common SUP, Common EXH					
Valve stations	2 to 20 stations ^{Note 1)}					
A, B port	Base					
Porting specifications	Direction					
	Side					
Port size	P, EA, EB port	1/8		1/4		1/4
	A, B port	M5 x 0.8, C4 (One-touch fitting for ø4) C6 (One-touch fitting for ø6)	1/8 C4 (One-touch fitting for ø4) C6 (One-touch fitting for ø6)	1/8 C6 (One-touch fitting for ø6) C8 (One-touch fitting for ø8)	1/4 C6 (One-touch fitting for ø6) C8 (One-touch fitting for ø8)	1/4 C10 (One-touch fitting for ø10)
Manifold base weight W (g) n: Stations	W = 30n + 50	W = 37n + 63	W = 61n + 101	W = 79n + 127	W = 100n + 151	



Note 1) For more than 10 stations (more than 5 stations in the case of SS5Y7), supply pressure to P port on both sides and exhaust from EA/EB port on both sides.

Note 2) Refer to "Manifold Option" on page 1-4-114.

Flow Characteristics

Model	Port size		Flow characteristics					
	1, 5, 3 (P, EA, EB)	4, 2 (A, B)	1 → 4/2 (P → A/B)			4/2 → 5/3 (A/B → EA/EB)		
			C (dm ³ /s·bar)	b	Cv	C (dm ³ /s·bar)	b	Cv
SS5Y3-41	1/8	C6	0.75	0.19	0.18	0.81	0.23	0.20
SS5Y3-42	1/8	C6	0.75	0.20	0.18	0.82	0.20	0.20
SS5Y5-41	1/4	C8	1.8	0.23	0.44	1.9	0.16	0.45
SS5Y5-42	1/4	C8	1.9	0.20	0.46	1.9	0.12	0.43
SS5Y7-42	1/4	C10	3.0	0.25	0.75	3.0	0.12	0.66



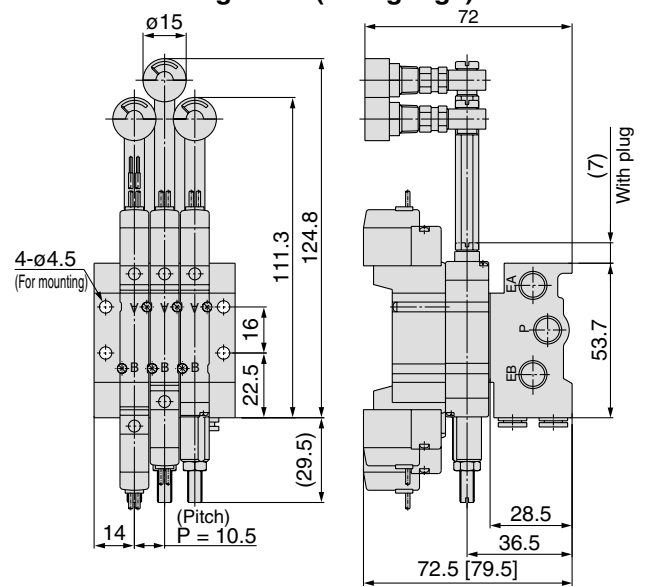
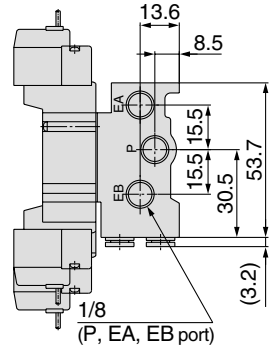
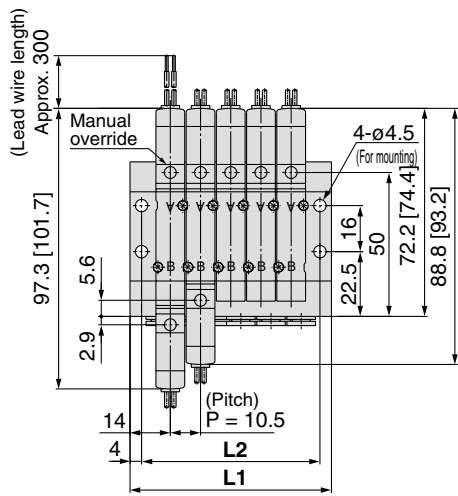
Note) The value is for manifold base with 5 stations and individually operated 2 position type.

SY3000: SS5Y3-41- Stations -M5, C4, N3 C6, N7



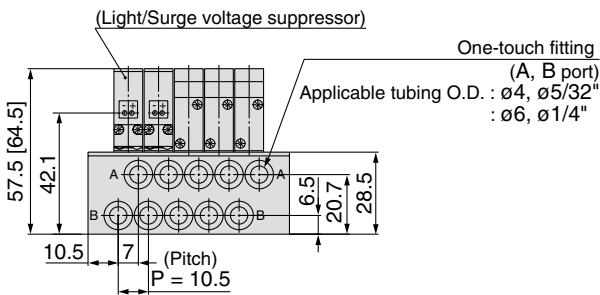
Grommet (G)

With interface regulator (with gauge)

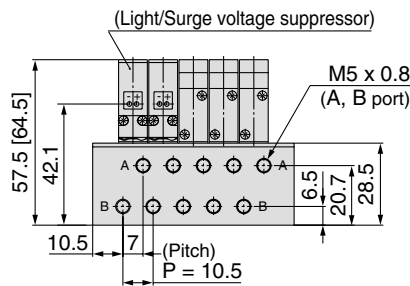


- SV
- SZ
- SY**
- SYJ
- SX

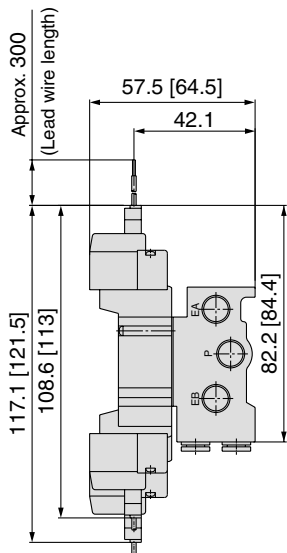
(Station 1) ----- (Station n)



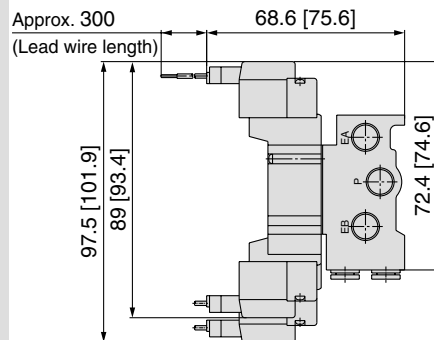
For M5



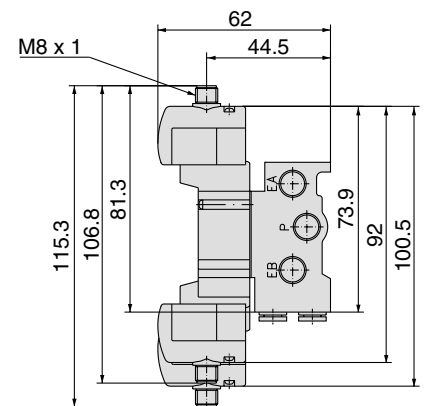
L plug connector (L)



M plug connector (M)



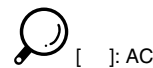
M8 connector (WO)



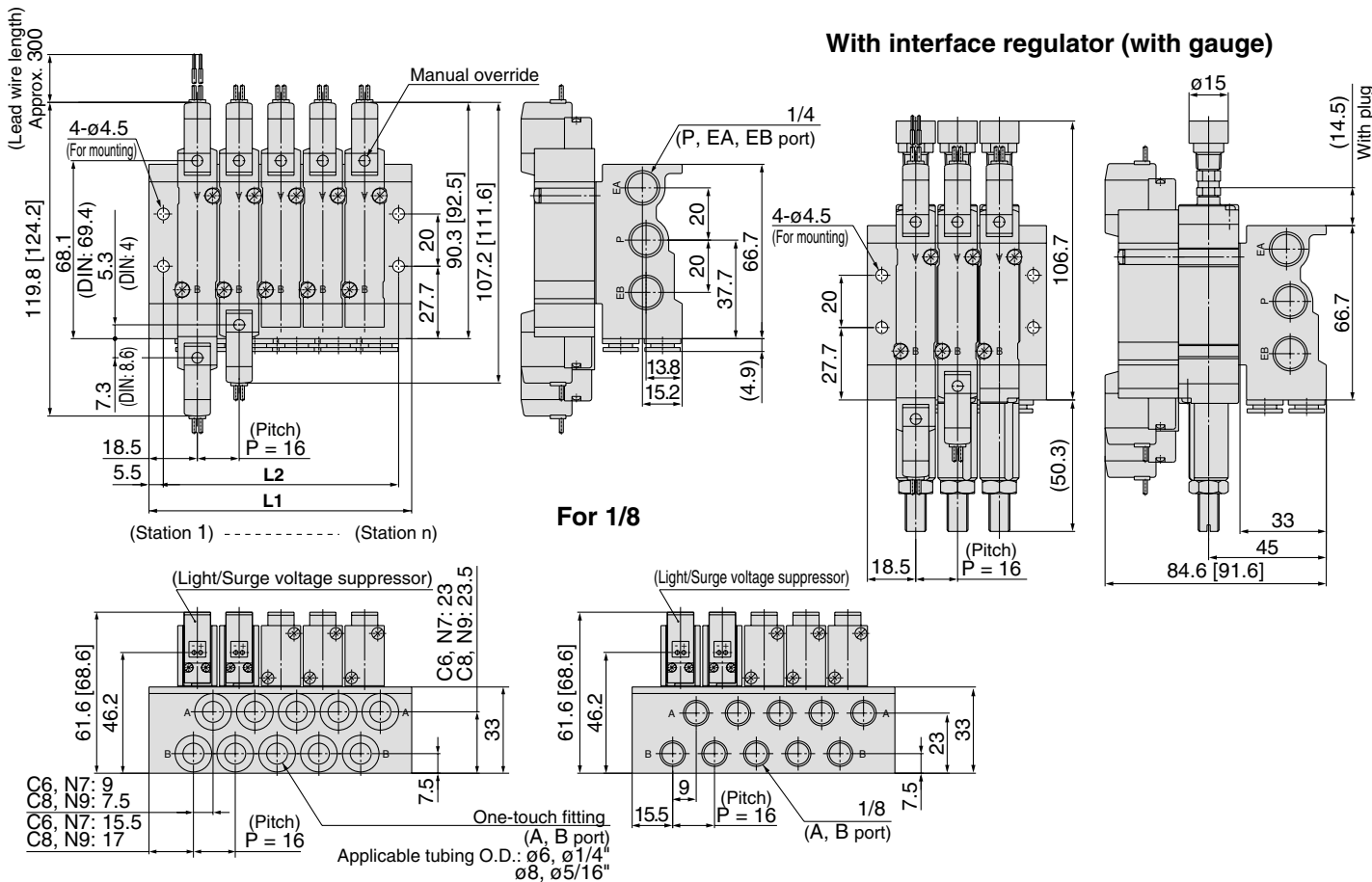
Note) Refer to page 1-4-20 for dimensions of connector types.

Stations n	2 stations	3	4	5	6	7	8	9	10	11	12	13	14	15	16	17	18	19	20 stations
L1	38.5	49	59.5	70	80.5	91	101.5	112	122.5	133	143.5	154	164.5	175	185.5	196	206.5	217	227.5
L2	30.5	41	51.5	62	72.5	83	93.5	104	114.5	125	135.5	146	156.5	167	177.5	188	198.5	209	219.5

SY5000: SS5Y5-41- Stations -01, C6, N7, C8, N9



Grommet (G)

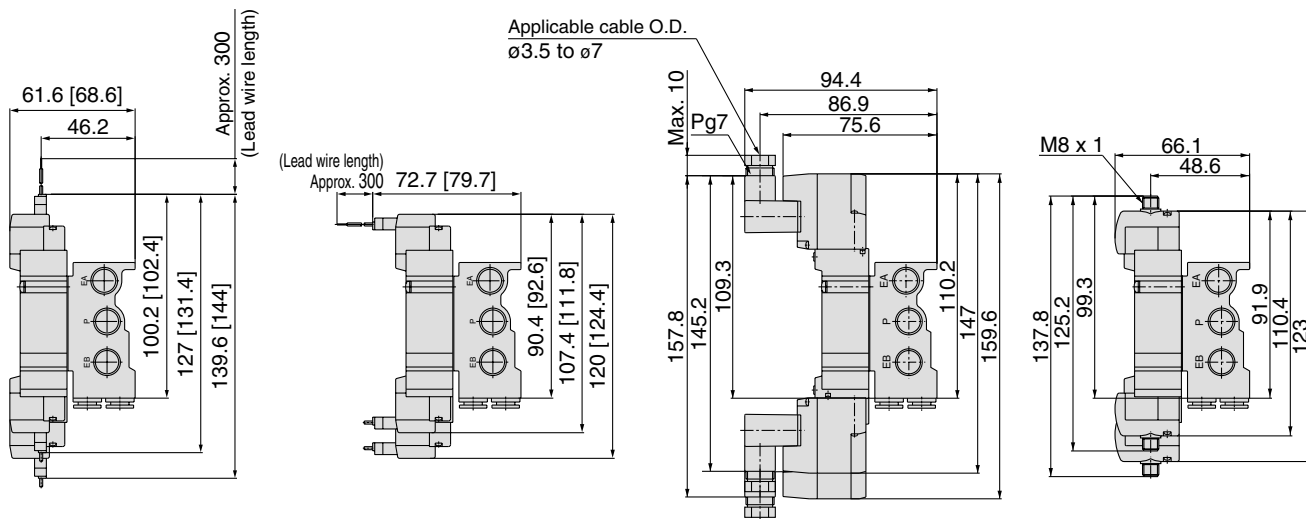


L plug connector: L

M plug connector: M

DIN terminal (D)

M8 connector (WO)



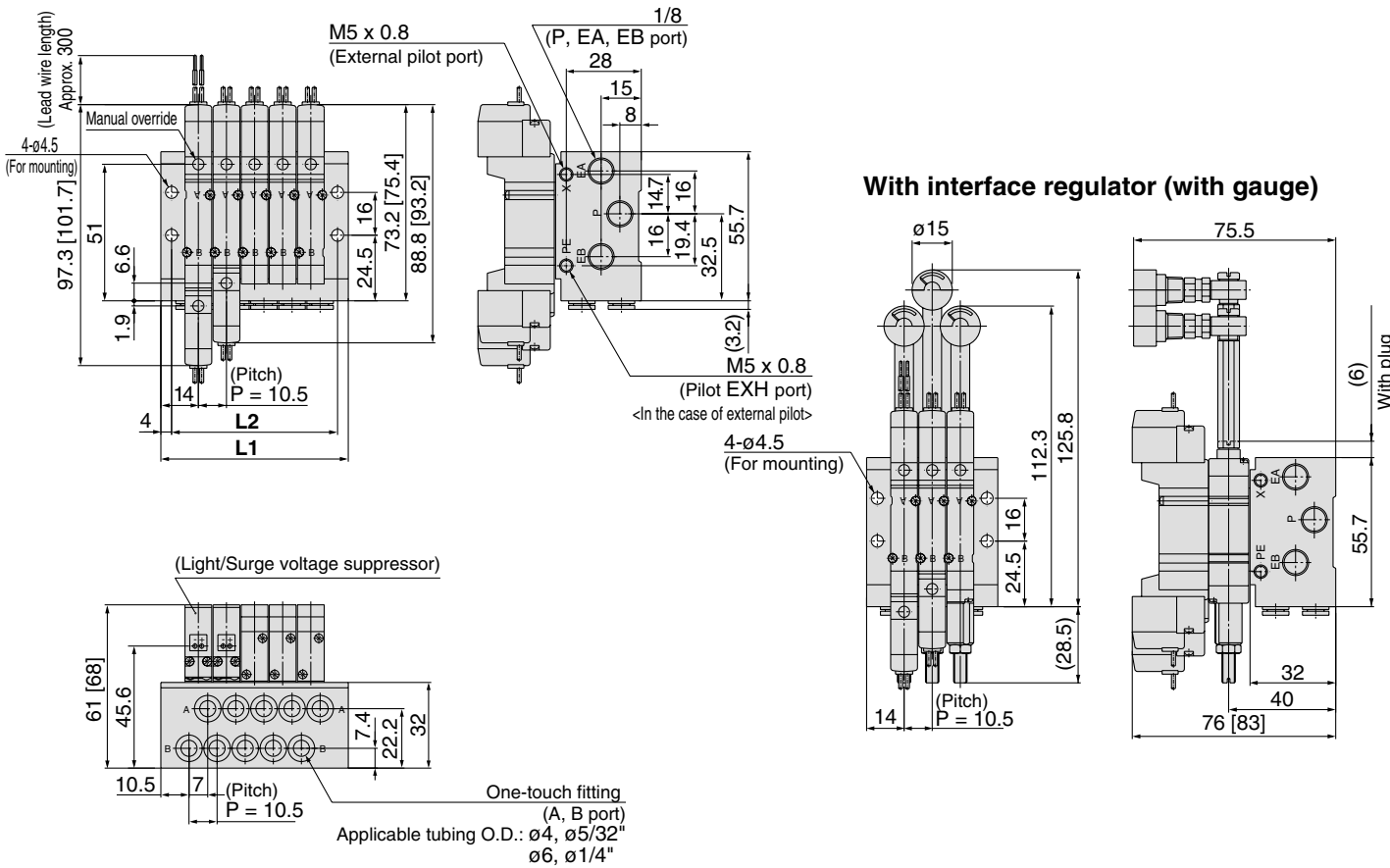
Note) Refer to page 1-4-210 for dimensions of connector types.

Stations n	2 stations	3	4	5	6	7	8	9	10	11	12	13	14	15	16	17	18	19	20 stations
L1	52.5	68.5	84.5	100.5	116.5	132.5	148.5	164.5	180.5	196.5	212.5	228.5	244.5	260.5	276.5	292.5	308.5	324.5	340.5
L2	42	58	74	90	106	122	138	154	170	186	202	218	234	250	266	282	298	314	330

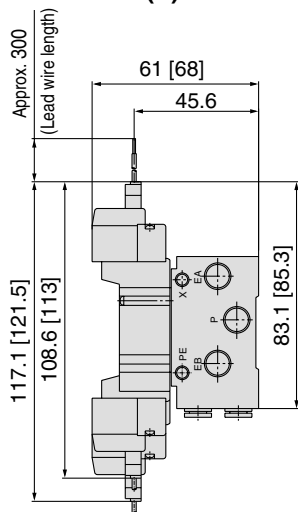
SY3000: SS5Y3-42- Stations C4, N3 C6, N7



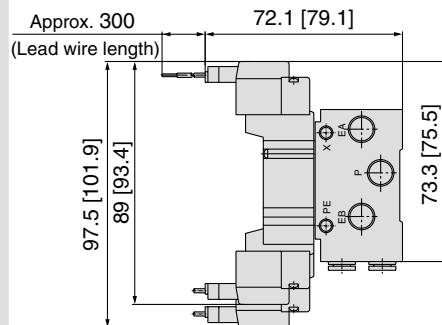
Grommet (G)



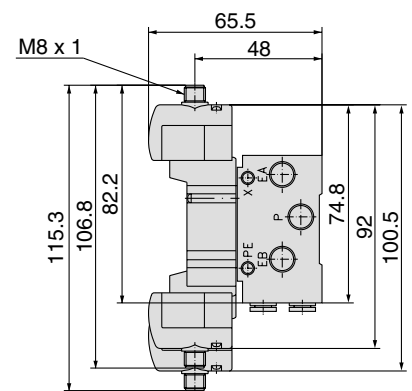
L plug connector (L)



M plug connector (M)



M8 connector (WO)



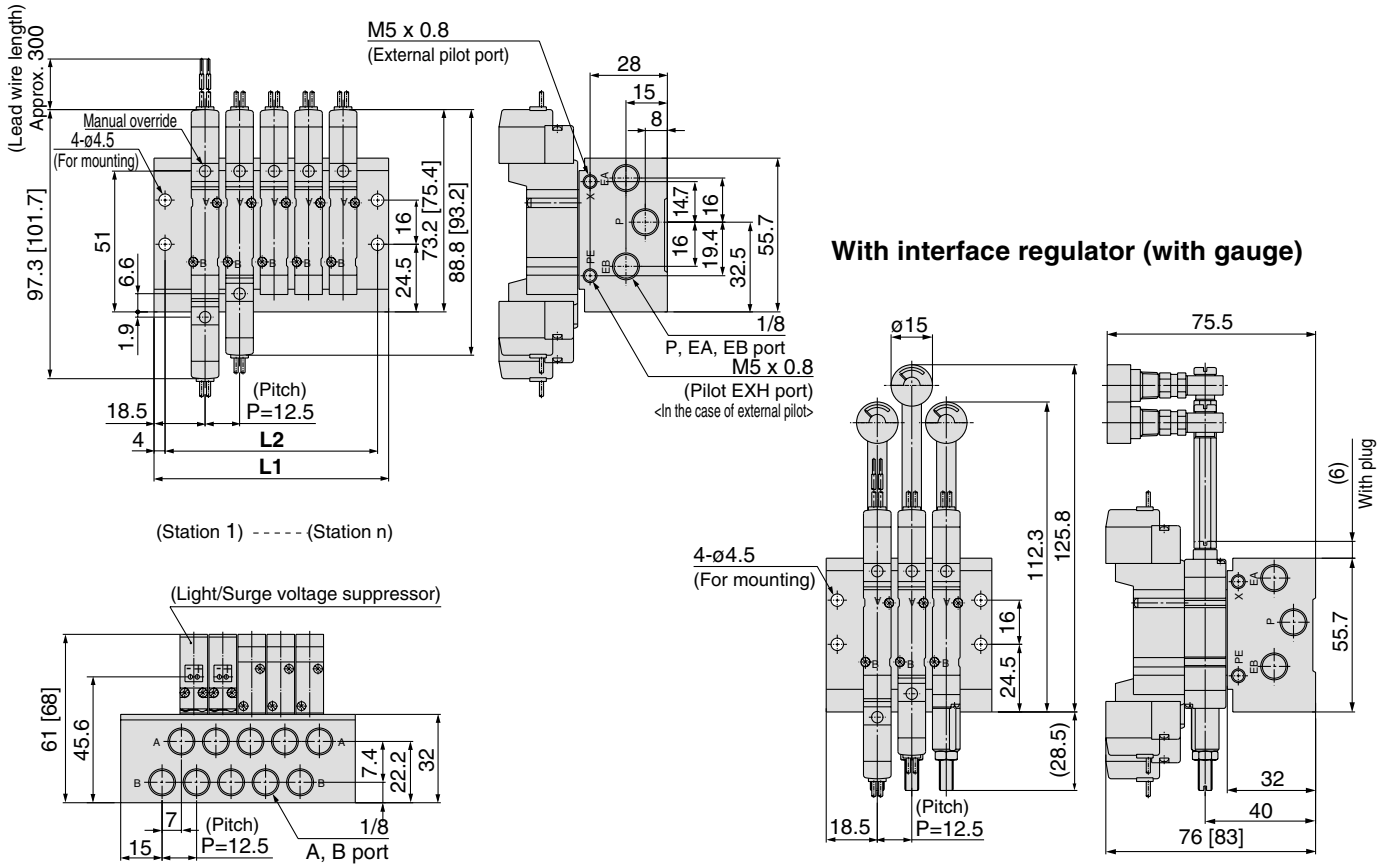
Note) Refer to page 1-4-210 for dimensions of connector types.

Stations n	2 stations	3	4	5	6	7	8	9	10	11	12	13	14	15	16	17	18	19	20 stations
L1	38.5	49	59.5	70	80.5	91	101.5	112	122.5	133	143.5	154	164.5	175	185.5	196	206.5	217	227.5
L2	30.5	41	51.5	62	72.5	83	93.5	104	114.5	125	135.5	146	156.5	167	177.5	188	198.5	209	219.5

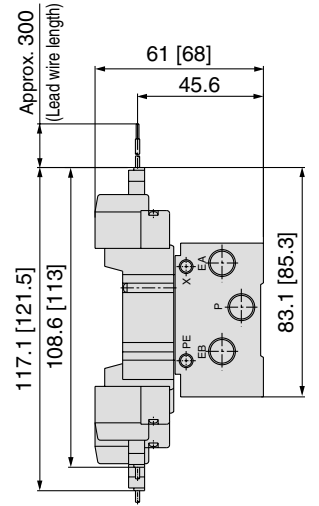
SY3000: SS5Y3-42- Stations -01



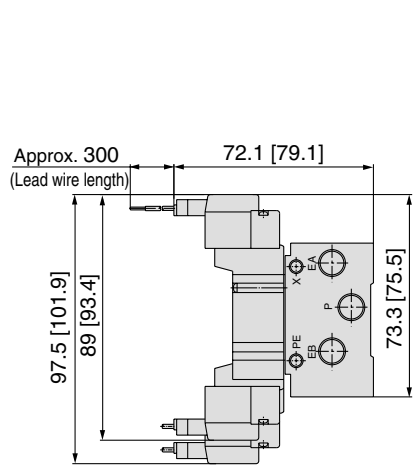
Grommet (G)



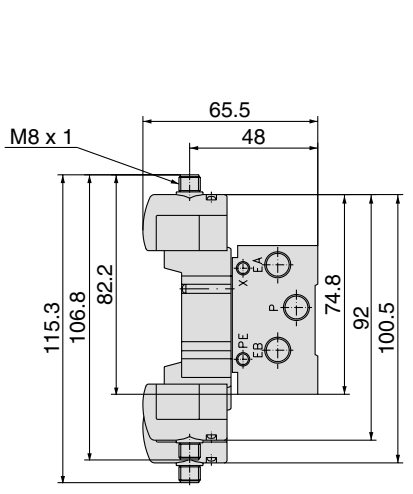
L plug connector (L)



M plug connector (M)



M8 connector (WO)



Note) Refer to page 1-4-210 for dimensions of connector types.

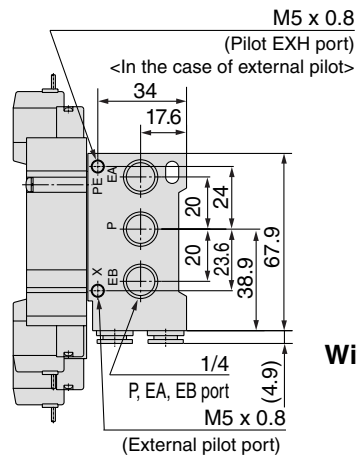
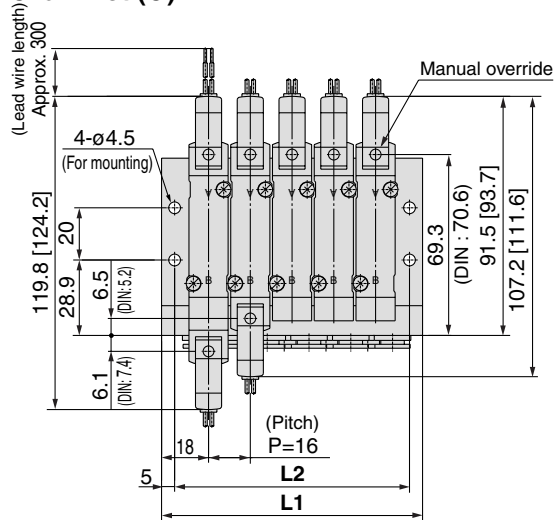
Stations n	2 stations	3	4	5	6	7	8	9	10	11	12	13	14	15	16	17	18	19	20 stations
L1	47.5	60	72.5	85	97.5	110	122.5	135	147.5	160	172.5	185	197.5	210	222.5	235	247.5	260	272.5
L2	39.5	52	64.5	77	89.5	102	114.5	127	139.5	152	164.5	177	189.5	202	214.5	227	239.5	252	264.5



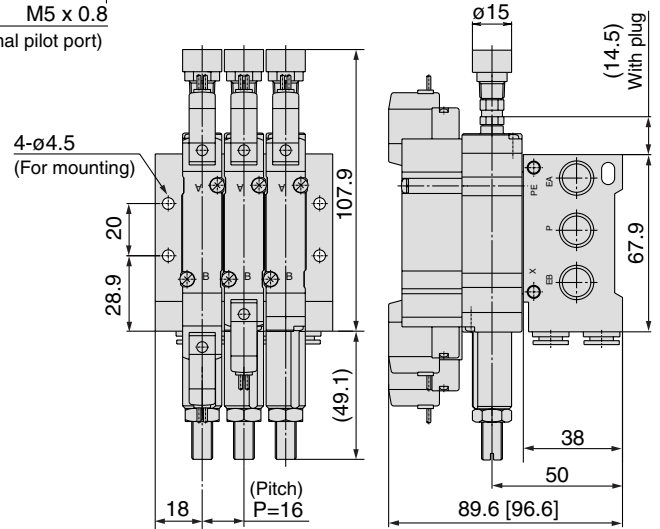
SY5000: SS5Y5-42- Stations - C4, N3 C6, N7



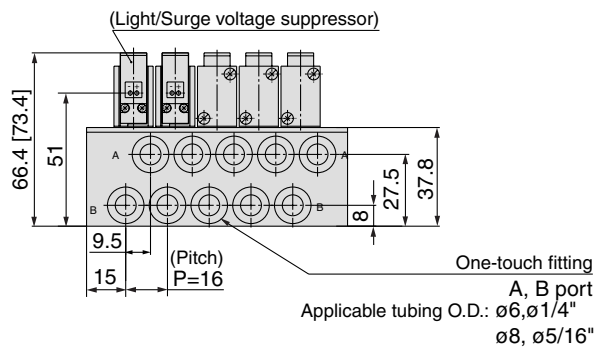
Grommet (G)



With interface regulator (with gauge)



(Station 1) ----- (Station n)

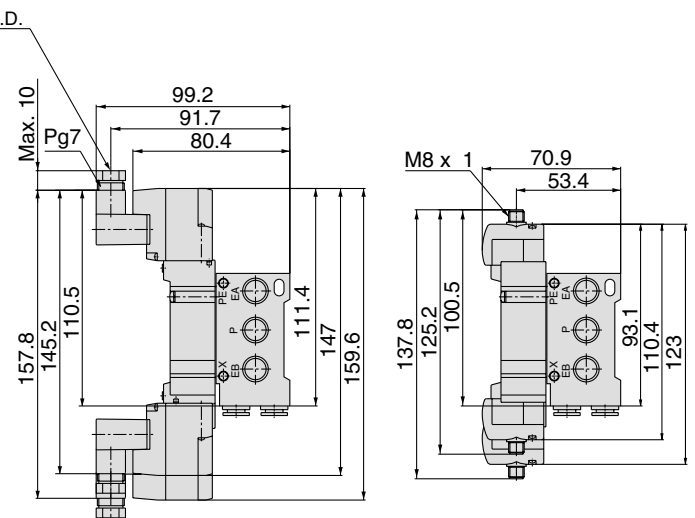
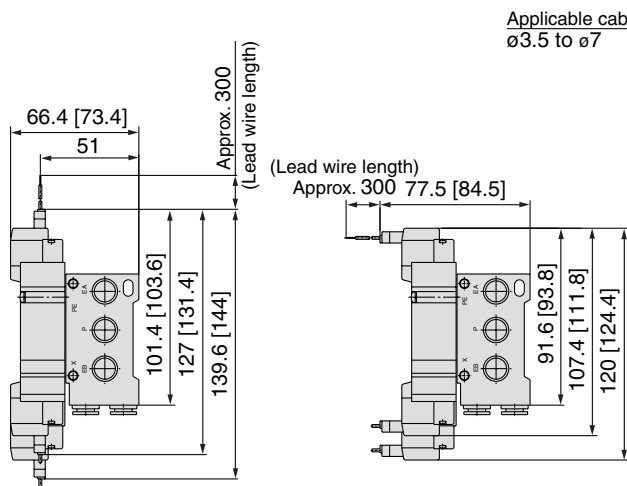


L plug connector (L)

M plug connector (M)

DIN terminal (D)

M8 connector (WO)

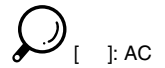


Note) Refer to page 1-4-210 for dimensions of connector types.

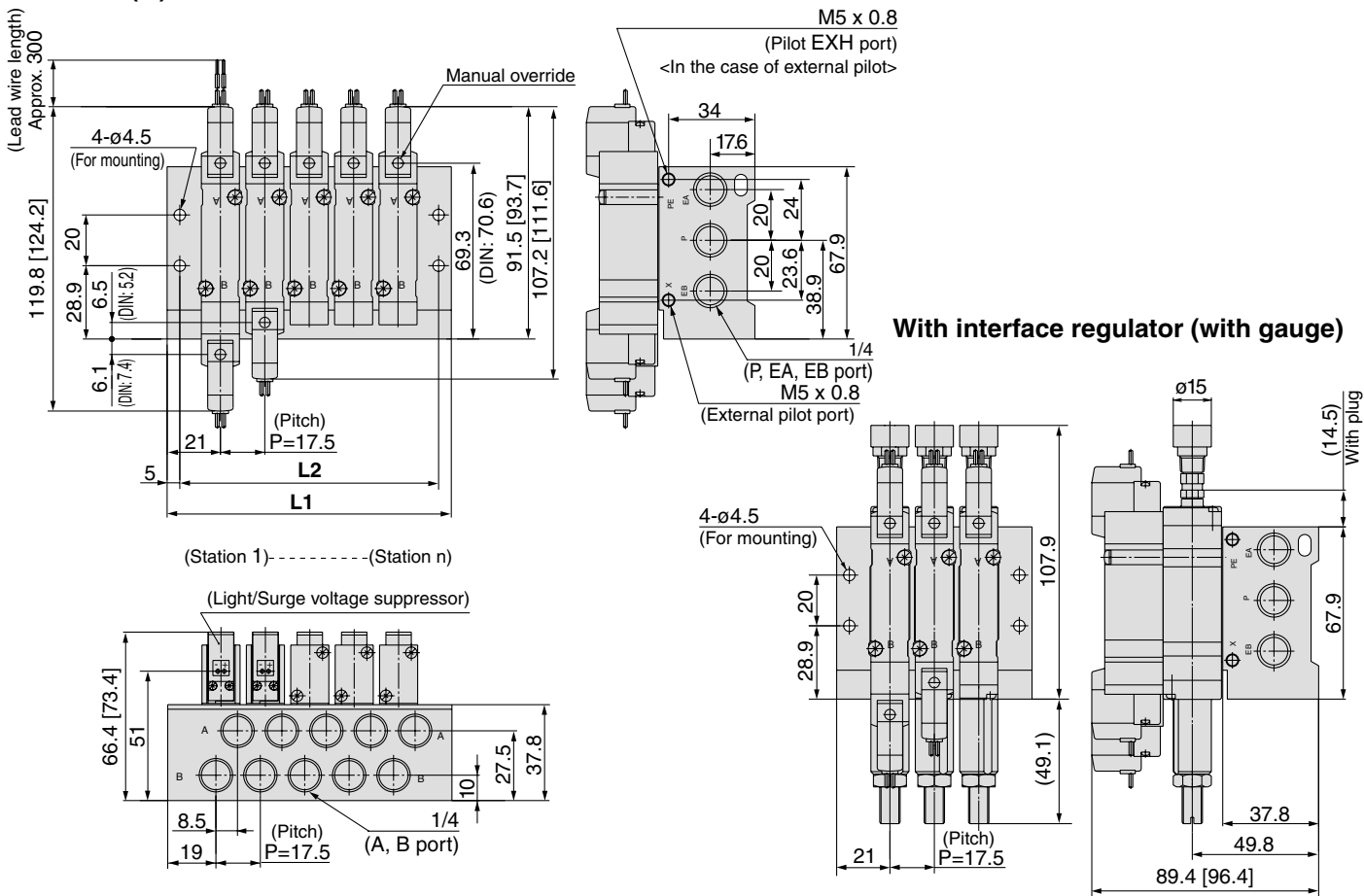
Stations n	2 stations	3	4	5	6	7	8	9	10	11	12	13	14	15	16	17	18	19	20 stations
L1	52	68	84	100	116	132	148	164	180	196	212	228	244	260	276	292	308	324	340
L2	42	58	74	90	106	122	138	154	170	186	202	218	234	250	266	282	298	314	330

- SV
- SZ
- SY
- SYJ
- SX

SY5000: SS5Y5-42- Stations -02



Grommet (G)

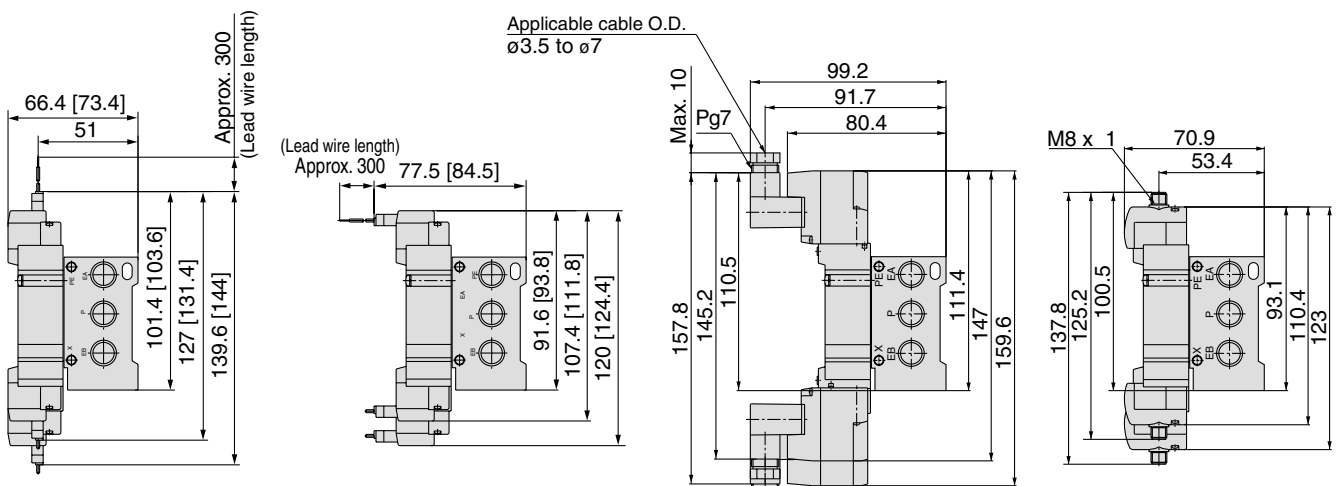


L plug connector (L)

M plug connector (M)

DIN terminal (D)

M8 connector (WO)



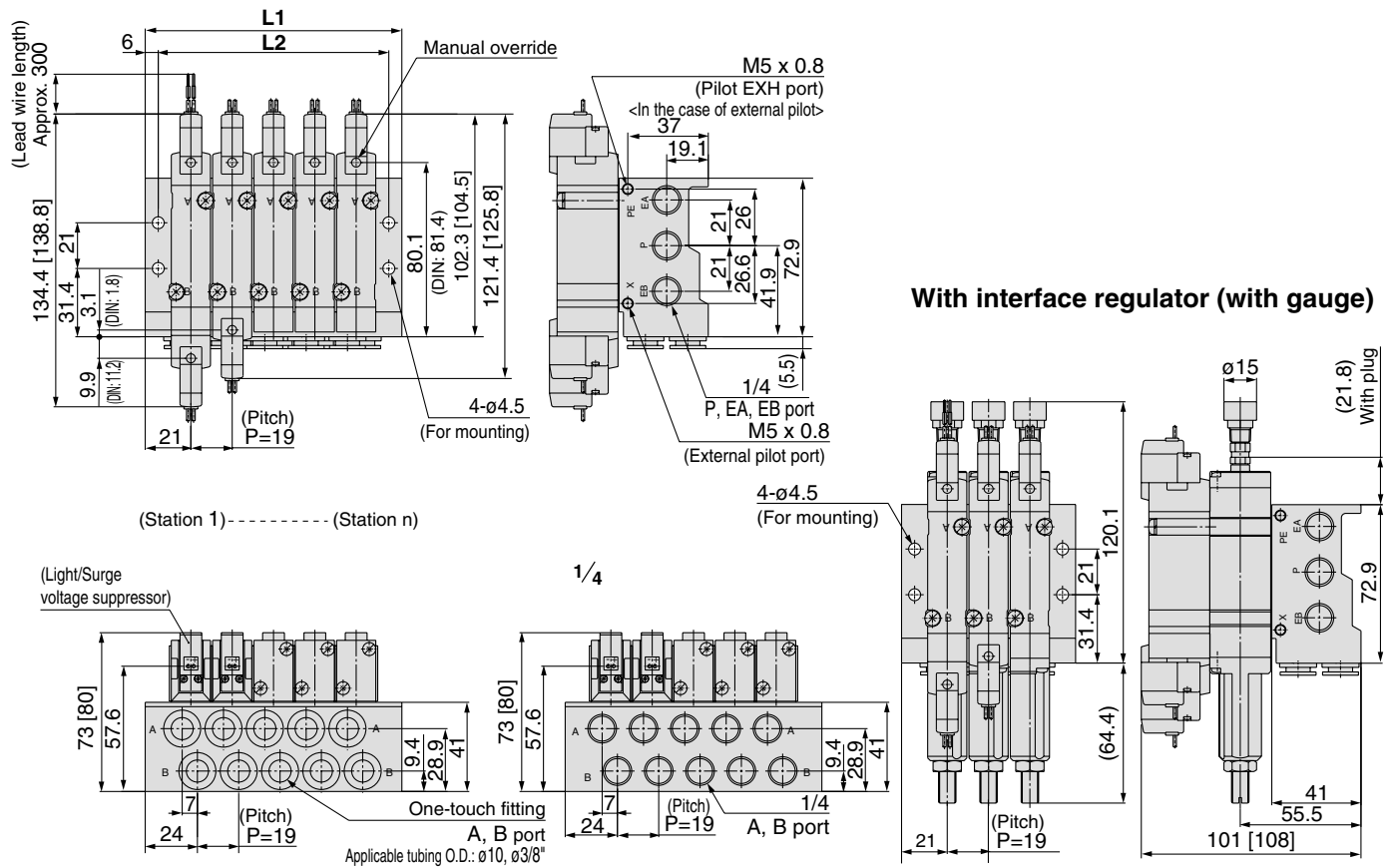
Note) Refer to page 1-4-210 for dimensions of connector types.

Stations n	2 stations	3	4	5	6	7	8	9	10	11	12	13	14	15	16	17	18	19	20 stations
L1	59.5	77	94.5	112	129.5	147	164.5	182	199.5	217	234.5	252	269.5	287	304.5	322	339.5	357	374.5
L2	49.5	67	84.5	102	119.5	137	154.5	172	189.5	207	224.5	242	259.5	277	294.5	312	329.5	347	364.5

SY7000: SS5Y7-42- Stations -02, C10, N11



Grommet (G)



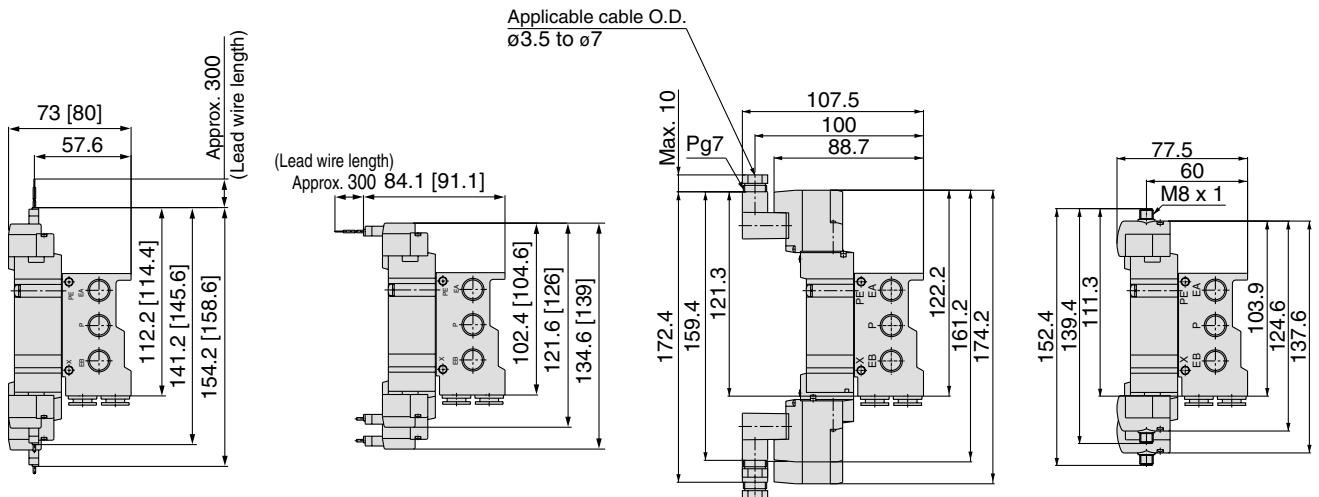
- SV
- SZ
- SY**
- SYJ
- SX

L plug connector (L)

M plug connector (M)

DIN terminal (D)

M8 connector (WO)



Note) Refer to page 1-4-210 for dimensions of connector types.

Stations n	2 stations	3	4	5	6	7	8	9	10	11	12	13	14	15	16	17	18	19	20 stations
L1	61	80	99	118	137	156	175	194	213	232	251	270	289	308	327	346	365	384	403
L2	49	68	87	106	125	144	163	182	201	220	239	258	277	296	315	334	353	372	391

Type **43**

Series SY9000

Base Mounted Manifold

Stacking Type

Individual Wiring

How to Order Manifold

SS5Y9-43-05U **C8**

Manifold series
9 SY9000

Valve stations

Symbol	Stations
02	2 stations
⋮	⋮
20	20 stations

* This also includes the number of blanking plate assemblies.

P, R port outlets

Symbol	Port outlet	Applicable stations
U	U side	2 to 10 stations
D	D side	
B	Both sides	2 to 20 stations

SUP/EXH block assembly specifications

Symbol	Specifications
Nil	Standard/Internal pilot
R	External pilot
S	Internal pilot/Built-in silencer
RS	External pilot/Built-in silencer

Thread type

Nil	Rc
F	G
N	NPT
T	NPTF

Option

Symbol	Mounting
Nil	Direct mounting
D	DIN rail mounting (with DIN rail)
DO	DIN rail mounting (without DIN rail)
D*	When a longer DIN rail is desired than the specified stations, specify the station number to be required into * mark.

A, B port size

Symbol	Port size
02	1/4
03	3/8

One-touch fitting (Metric size)

Symbol	Port size
C8	One-touch fitting for $\phi 8$
C10	One-touch fitting for $\phi 10$
C12	One-touch fitting for $\phi 12$
M	Mixed

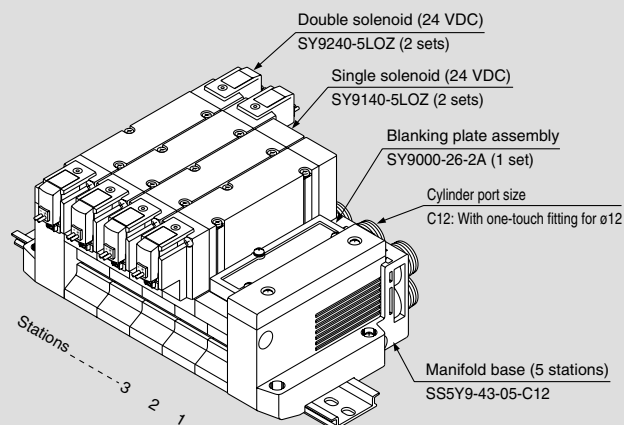
One-touch fitting (Inch size)

Symbol	Port size
N9	One-touch fitting for $\phi 5/16$ "
N11	One-touch fitting for $\phi 3/8$ "
M	Mixed

* In the case of mixed specifications (M), indicate separately on the manifold specification sheet.

How to Order Valve Manifold Assembly

Ordering example



SS5Y9-43-05B-C12 1 set (Type 43, 5 stations manifold base part no.)
 * **SY9000-26-2A** 1 set (Blanking plate assembly part no.)
 * **SY9140-5LOZ** 2 sets (Single solenoid part no.)
 * **SY9220-5LOZ** 2 sets (Double solenoid part no.)

The asterisk denotes the symbol for assembly. Prefix it to the part nos. of the solenoid valve, etc.

Add the valve and option part number under the manifold base part number. In the case of complex arrangement, specify them on the manifold specification sheet.

How to Order Valves

SY 9 2 40 [] [] 5 L [] []

Series

9	SY9000
---	--------

Type of actuation

1	2 position single
2	2 position double
3	3 position closed center
4	3 position exhaust center
5	3 position pressure center

Pilot type

Nil	Internal pilot
R	External pilot

Coil specifications

Nil	Standard
T	With power saving circuit (24, 12 VDC only)

* Power saving circuit is not available in the case of "D", "DO" or "W□" type.

Rated voltage

For DC

5	24 VDC
6	12 VDC
V	6 VDC
S	5 VDC
R	3 VDC

For AC (50/60 Hz)

1	100 VAC
2	200 VAC
3	110 VAC [115 VAC]
4	220 VAC [230 VAC]

* DC specifications of type "D" and "DO" is only available with 12 and 24 VDC.
* For type "W□", DC voltage is only available.

Manual override

Nil	Non-locking push type
D	Push-turn locking slotted type
E	Push-turn locking lever type

Light/Surge voltage suppressor

Electrical entry for G, H, L, M, W

Nil	Without light/surge voltage suppressor
S	With surge voltage suppressor
Z	With light/surge voltage suppressor
R	With surge voltage suppressor (Non-polar type)
U	With light/surge voltage suppressor (Non-polar type)

* For AC voltage valves there is no "S" option. It is already built-in to the rectifier circuit.
* For "R" and "U", DC voltage is only available.
* Power saving circuit is only available in the "Z" type.

Electrical entry for D

Nil	Without light/surge voltage suppressor
S	With surge voltage suppressor (Non-polar type)
Z	With light/surge voltage suppressor (Non-polar type)

* "DOZ" is not available.
* For AC voltage valves there is no "S" option. It is already built-in to the rectifier circuit.

Electrical entry

24, 12, 6, 5, 3 VDC/ 100, 110, 200, 220 VAC			24, 12 VDC/ 100, 110, 200, 220 VAC	24, 12, 6, 5, 3 VDC
Grommet	L plug connector	M plug connector	DIN terminal	M8 connector
G: Lead wire length 300 mm	L: With lead wire (Length 300 mm)	M: With lead wire (Length 300 mm)	D: With connector	WO: Without connector cable
H: Lead wire length 600 mm	LN: Without lead wire	MN: Without lead wire	DO: Without connector	
	LO: Without connector	MO: Without connector		

* "LN", "MN" type: with 2 sockets.
* DIN terminal type "Y" conforming to DIN43650C standard is also available. For details, refer to page 1-4-201.
* For connector cable of M8 connector, refer to page 1-4-210.

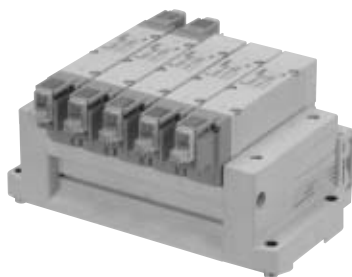
SV

SZ

SY

SYJ

SX



Manifold Specifications

Model		SS5Y9-43
Applicable valve		SY9□40
Manifold type		Stacking type
P(SUP)/R(EXH)		Common SUP, Common EXH
Valve stations		2 to 20 stations ⁽¹⁾
A, B port	Location	Base
Porting specifications		Side
Port size	P, EA, EB port	C12 (One-touch fitting for ø12)
	A, B port	1/4 3/8 C8 (One-touch fitting for ø8) C10 (One-touch fitting for ø10) C12 (One-touch fitting for ø12)
Manifold base weight W (g), n: Stations		W = 107n + 330



Note 1) For more than 10 stations, supply pressure to P port on both sides and exhaust from EA/EB port on both sides.

Note 2) Refer to "Manifold Option" on page 1-4-114.

Flow Characteristics

Model	Port size		Flow characteristics					
	1, 5, 3 (P, EA, EB)	4, 2 (A, B)	1→4/2 (P→A/B)			4/2→5/3 (A/B→EA/EB)		
			C (dm ³ /(s·bar))	b	Cv	C (dm ³ /(s·bar))	b	Cv
SS5Y9-43	C12	C12	6.4	0.29	1.6	7.3	0.29	1.8

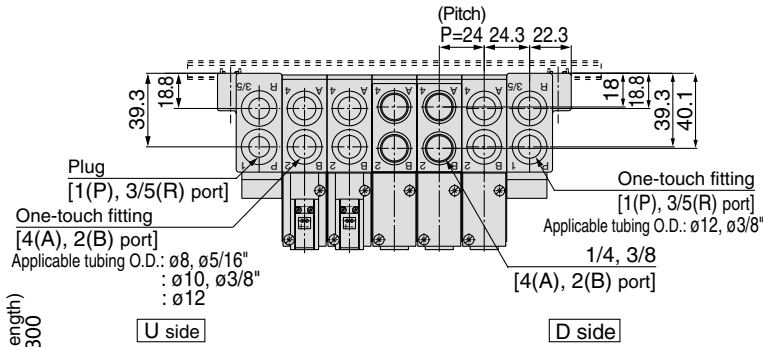


Note) The value is for manifold base with 5 stations and individually operated 2 position type.

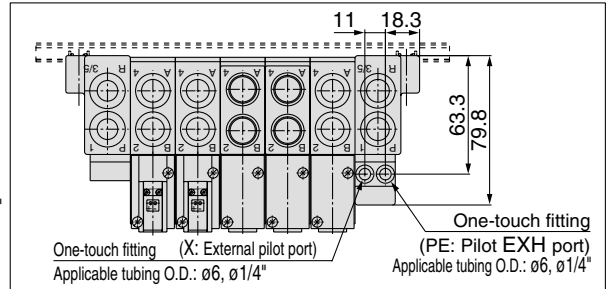
SY9000: SS5Y9-43- Stations D 02, C8, N9 03, C10, N11 (-D)



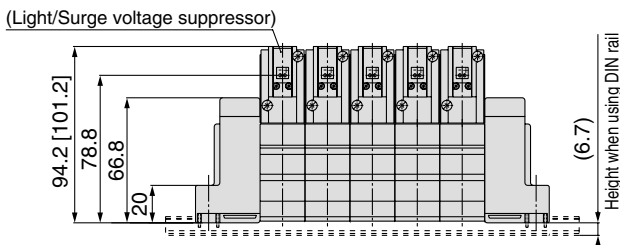
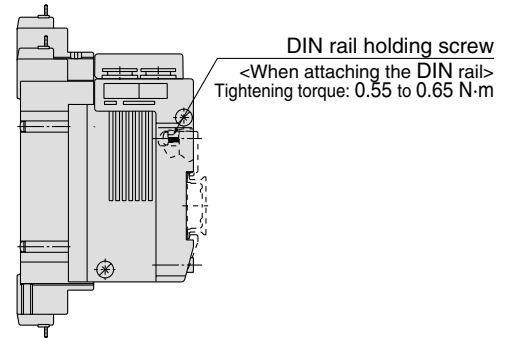
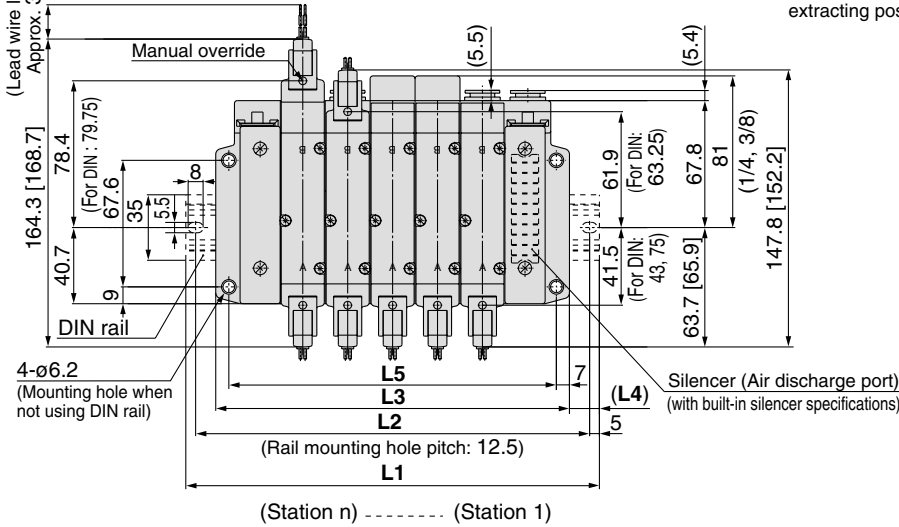
Grommet (G)



With External Pilot Specifications



* Air discharge port on the built-in silencer type and the external pilot's extracting position are in the D side.



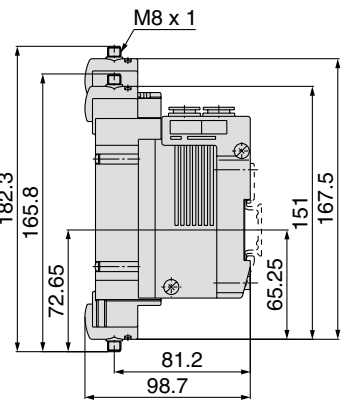
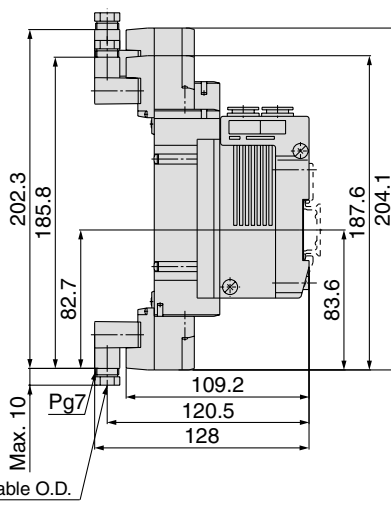
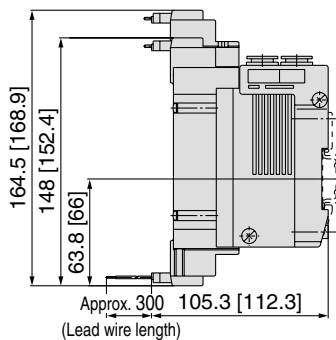
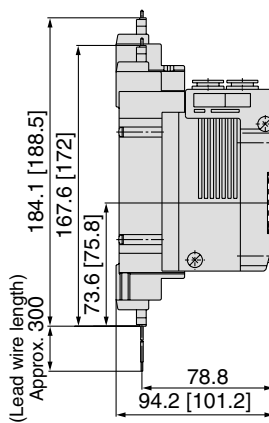
Stations n	2 stations	3	4	5	6	7	8	9	10 stations
L1	148	173	198	223	248	260.5	285.5	310.5	335.5
L2	137.5	162.5	187.5	212.5	237.5	250	275	300	325
L3	117	141	165	189	213	237	261	285	309
L4	15.5	16	16.5	17	17.5	12	12.5	13	13.5
L5	103	127	151	175	199	223	247	271	295

L plug connector (L)

M plug connector (M)

DIN terminal (D)

M8 connector (WO)



Note) Refer to page 1-4-210 for dimensions of connector types.

- SV
- SZ
- SY
- SYJ
- SX

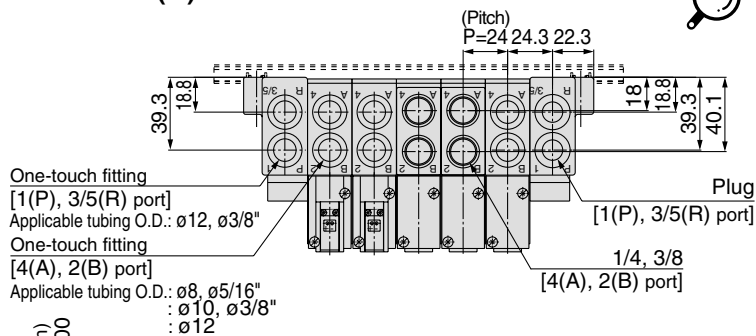
Base Mounted

Series SY9000 Type **43**

SY9000: SS5Y9-43- Stations U ^{02: C9, N9} _{03: C10, N11} (-D)

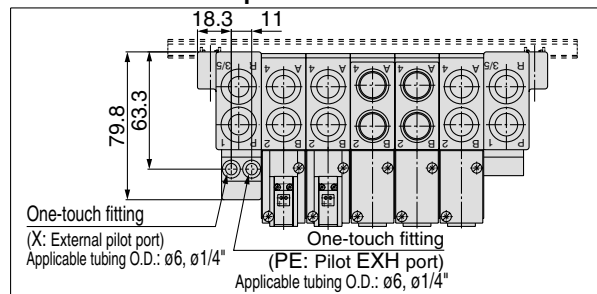


Grommet (G)

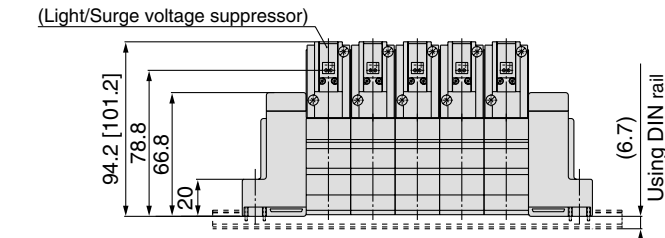
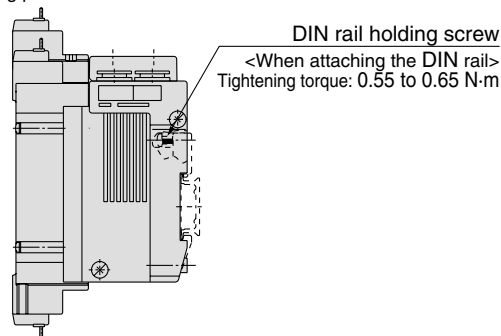
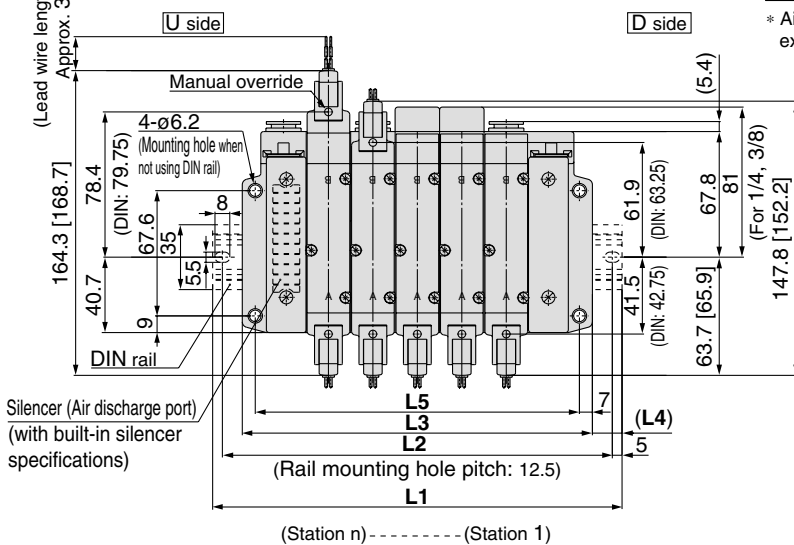


* When P, R port outlets are indicated on the U side, the P, R ports on the opposite side are plugged.

With External Pilot Specifications



* Air discharge port on the built-in silencer type and the external pilot's extracting position are in the D side.



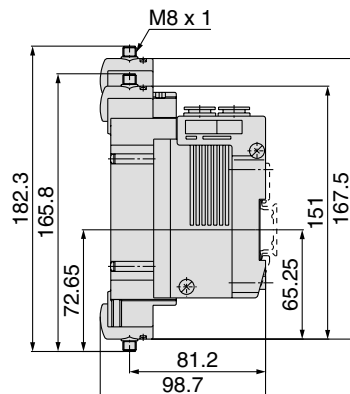
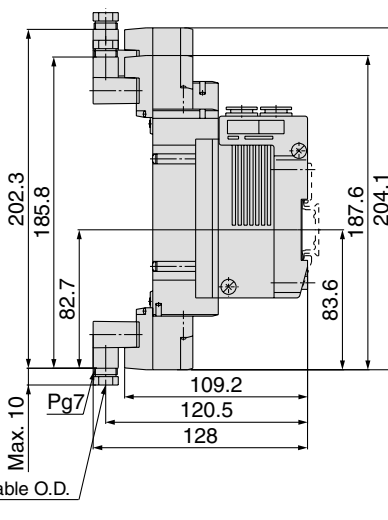
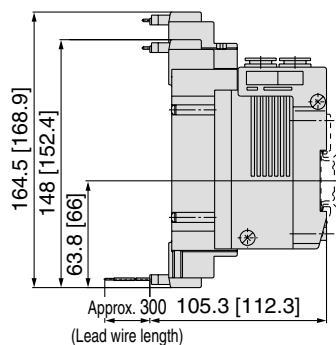
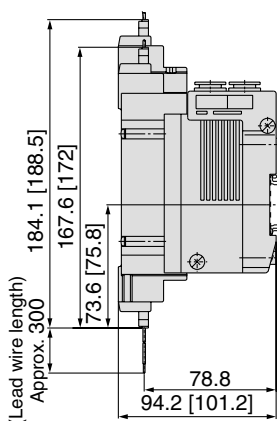
Stations n	2 stations	3	4	5	6	7	8	9	10 stations
L1	148	173	198	223	248	260.5	285.5	310.5	335.5
L2	137.5	162.5	187.5	212.5	237.5	250	275	300	325
L3	117	141	165	189	213	237	261	285	309
L4	15.5	16	16.5	17	17.5	12	12.5	13	13.5
L5	103	127	151	175	199	223	247	271	295

L plug connector (L)

M plug connector (M)

DIN terminal (D)

M8 connector (WO)

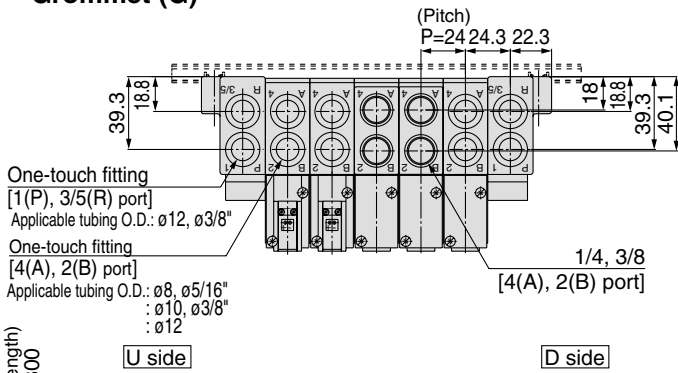


Note) Refer to page 1-4-210 for dimensions of connector types.

SY9000: SS5Y9-43- Stations B - ^{02, C8, N9} _{03, C10, N11} (-D)

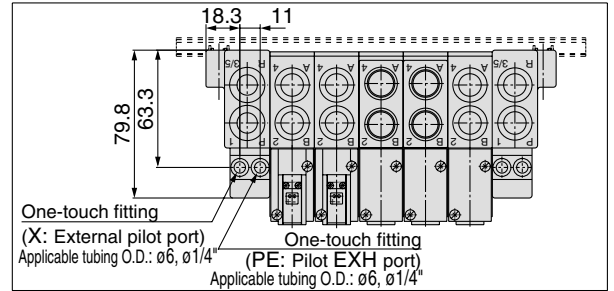


Grommet (G)

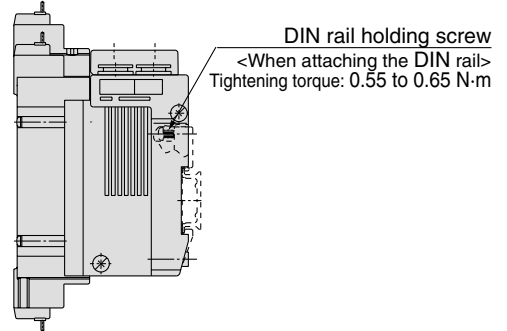
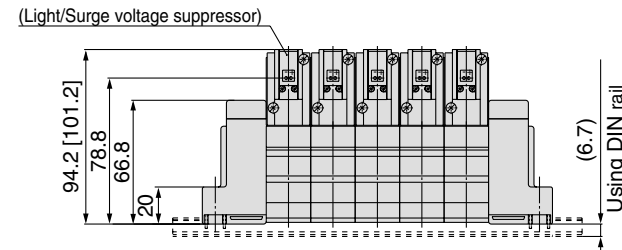
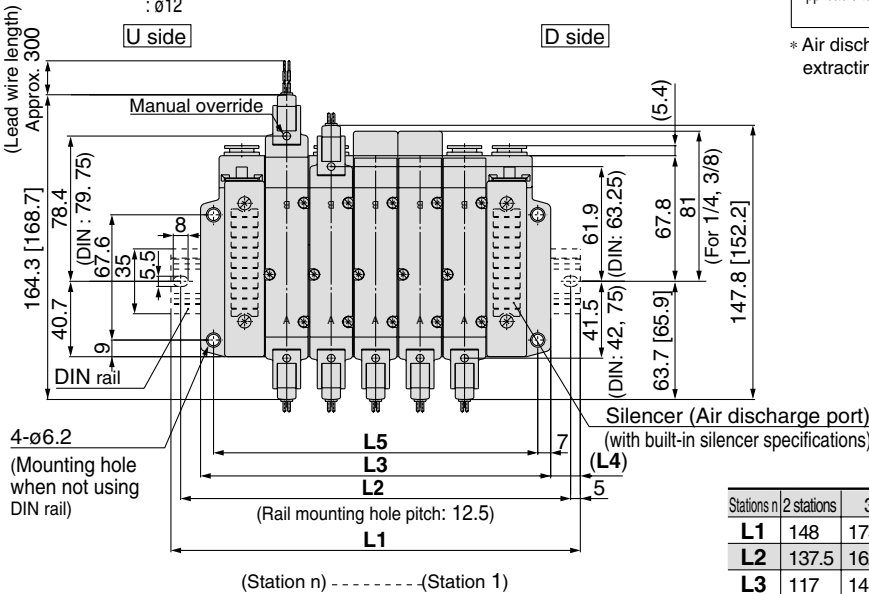


* When P, R port outlets are indicated on the B side, the P, R ports on the both sides are in the open state.

With External Pilot Specifications



* Air discharge port on the built-in silencer type and the external pilot's extracting position are in the B side (both sides).



Stations n	2 stations	3	4	5	6	7	8	9	10 stations
L1	148	173	198	223	248	260.5	285.5	310.5	335.5
L2	137.5	162.5	187.5	212.5	237.5	250	275	300	325
L3	117	141	165	189	213	237	261	285	309
L4	15.5	16	16.5	17	17.5	12	12.5	13	13.5
L5	103	127	151	175	199	223	247	271	295

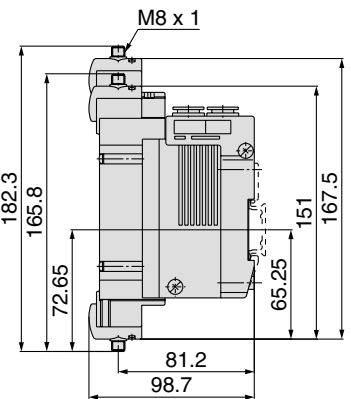
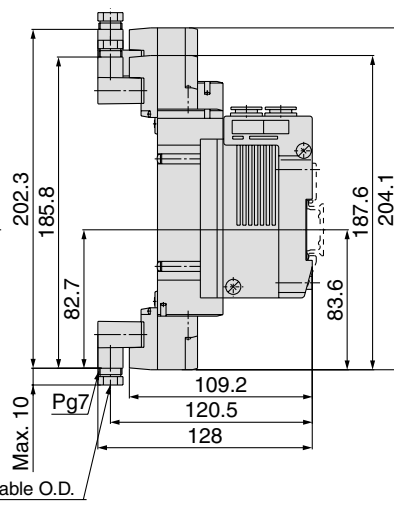
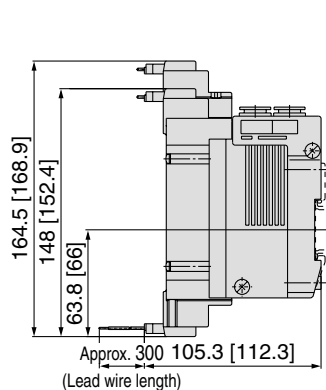
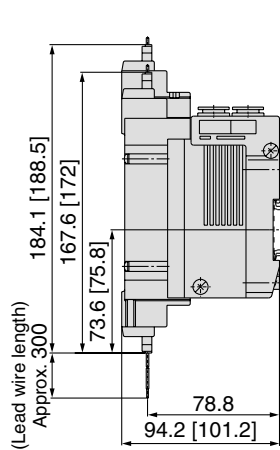
Stations n	11 stations	12	13	14	15	16	17	18	19	20 stations
L1	360.5	385.5	410.5	435.5	460.5	485.5	510.5	535.5	560.5	573
L2	350	375	400	425	450	475	500	525	550	562.5
L3	333	357	381	405	429	453	477	501	525	549
L4	14	14.5	15	15.5	16	16.5	17	17.5	18	12
L5	319	343	367	391	415	439	463	487	511	535

L plug connector (L)

M plug connector (M)

DIN terminal (D)

M8 connector (WO)



Note) Refer to page 1-4-210 for dimensions of connector types.

Type **41P**
Type **42P**

Series SY3000/5000/7000 Base Mounted Monifold Bar Stock Type Flat Ribbon Cable

How to Order Manifold

Type 41P (Compact type)



Manifold series

3	SY3000
5	SY5000

Stations

03	3 stations
:	:
12	12 stations

Thread type

Nil	Rc
F	G
N	NPT
T	NPTF

* SS5Y3 has 4 to 12 stations.

A, B port size
Thread piping

Symbol	Port size	Applicable series
M5	M5 x 0.8	SY3000
01	1/8	SY5000

One-touch fitting (Metric size)

Symbol	Port size	Applicable series
C4	One-touch fitting for ø4	SY3000
C6	One-touch fitting for ø6	SY3000
C6	One-touch fitting for ø6	SY5000
C8	One-touch fitting for ø8	SY5000

One-touch fitting (Inch size)

Symbol	Port size	Applicable series
N3	One-touch fitting for ø5/32"	SY3000
N7	One-touch fitting for ø1/4"	SY3000
N7	One-touch fitting for ø1/4"	SY5000
N9	One-touch fitting for ø5/16"	SY5000

Type 42P (Common external pilot type)



Manifold series

3	SY3000
5	SY5000
7	SY7000

Stations

03	3 stations
:	:
12	12 stations

Thread type

Nil	Rc
F	G
N	NPT
T	NPTF

* SS5Y3 has 4 to 12 stations.

A, B port size
Thread piping

Symbol	Port size	Applicable series
01	1/8	SY3000
02	1/4	SY5000
02	1/4	SY7000

One-touch fitting (Metric size)

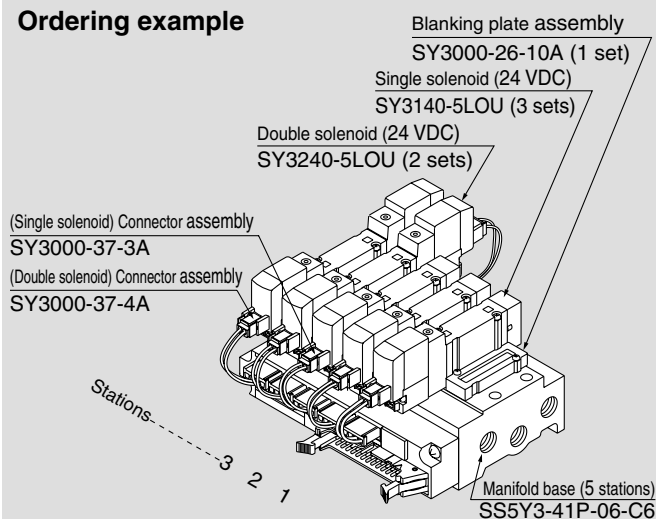
Symbol	Port size	Applicable series
C4	One-touch fitting for ø4	SY3000
C6	One-touch fitting for ø6	SY3000
C6	One-touch fitting for ø6	SY5000
C8	One-touch fitting for ø8	SY5000
C10	One-touch fitting for ø10	SY7000

One-touch fitting (Inch size)

Symbol	Port size	Applicable series
N3	One-touch fitting for ø5/32"	SY3000
N7	One-touch fitting for ø1/4"	SY3000
N7	One-touch fitting for ø1/4"	SY5000
N9	One-touch fitting for ø5/16"	SY5000
N9	One-touch fitting for ø5/16"	SY7000

How to Order Valve Manifold Assembly

Ordering example

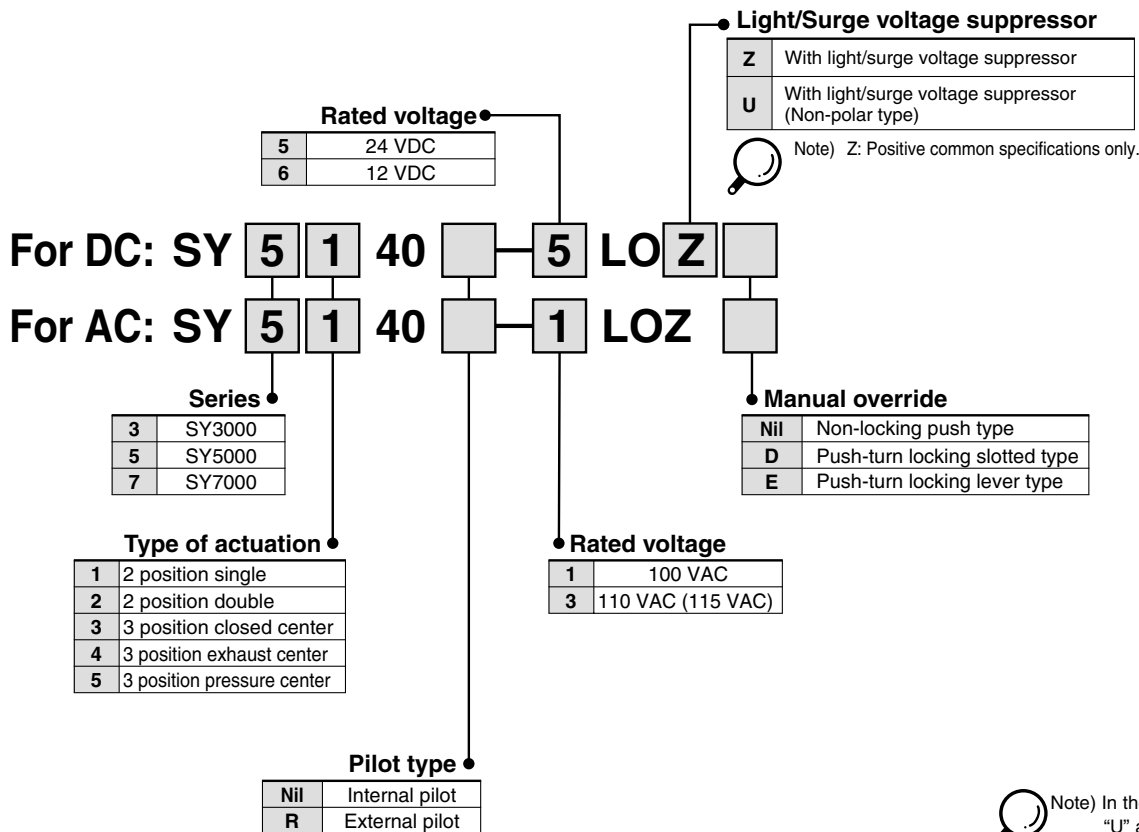


- SS5Y3-41P-06-C6 1 set (Type 41, 6 stations manifold base part no.)
- * SX3000-26-10A 1 set (Blanking plate assembly part no.)
- * SY3140-5LOU 3 sets (Single solenoid part no.)
- * SY3240-5LOU 2 sets (Double solenoid part no.)
- * SY3000-37-3A 3 sets (Connector assembly part no.)
- * SY3000-37-4A 2 sets (Connector assembly part no.)

→The asterisk denotes the symbol for assembly. Prefix it to the part nos. of the solenoid valve, etc.

Add the valve and option part number under the manifold base part number. In the case of complex arrangement, specify them on the manifold specification sheet.

How to Order Valves



- SV
- SZ
- SY
- SYJ
- SX

Note) In the case of flat cable type, "U" and "Z" types are for DC specifications and "Z" type is for AC specifications. "Z" type for DC is positive common specification only. For the other combination, please contact SMC.

How to Order Connector Assembly

For 12/24 VDC

For DC	For SY3000	For SY5000/7000
For single solenoid	SY3000-37-3A	SY5000-37-3A
Double solenoid, 3 position type	SY3000-37-4A	SY5000-37-4A
Single with spacer assembly	SY5000-37-3A	SY5000-37-5A
Double, 3 position with spacer assembly	SY3000-37-6A	SY5000-37-6A

For 100 VAC

For DC	For SY3000	For SY5000/7000
For single solenoid	SY3000-37-32A	SY5000-37-15A
Double solenoid, 3 position type	SY3000-37-33A	SY5000-37-16A
Single with spacer assembly	SY5000-37-15A	SY5000-37-17A
Double, 3 position with spacer assembly	SY3000-37-34A	SY5000-37-18A

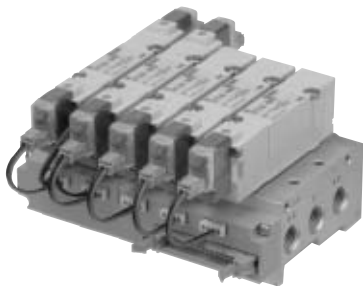
For 100 VAC (115 VAC)

For DC	For SY3000	For SY5000/7000
For single solenoid	SY3000-37-35A	SY5000-37-19A
Double solenoid, 3 position type	SY3000-37-36A	SY5000-37-20A
Single with spacer assembly	SY5000-37-19A	SY5000-37-21A
Double, 3 position with spacer assembly	SY3000-37-37A	SY5000-37-22A

Flat Ribbon Cable Manifold Specifications

- Multiple valve wiring is simplified through the use of the flat cable connector.
- Clean appearance

In the case of a flat ribbon cable type, each valve is wired on the print board of manifold base to allow the external wiring to be piped all together with 26 pins MIL connector.



Model	SS5Y3-41P	SS5Y3-42P	SS5Y5-41P	SS5Y5-42P	SS5Y7-42P
Applicable valve	SY3□40		SY5□40		
Manifold type	Single base/B mount				
P(SUP)/R(EXH)	Common SUP, Common EXH				
Valve stations	4 to 12 stations ⁽¹⁾		3 to 12 stations ^{Note 1)}		
A, B port	Location				
	Direction				
Porting specifications	Base				
	Side				
Port size	P, EA, EB port	1/8		1/4	
	A, B port	M5 x 0.8	1/8	1/8	1/4
Manifold base weight W (g), n: Stations	C4 (One-touch fitting for ø4)	C4 (One-touch fitting for ø4)	C6 (One-touch fitting for ø6)	C8 (One-touch fitting for ø8)	C10 (One-touch fitting for ø10)
	C6 (One-touch fitting for ø6)	C6 (One-touch fitting for ø6)	C8 (One-touch fitting for ø8)	C8 (One-touch fitting for ø8)	
Manifold base weight W (g), n: Stations	W = 39n + 83	W = 48n + 99	W = 67n + 118	W = 88n + 151	W = 109n + 174
Applicable flat ribbon cable connector	Flat ribbon cable connector, Socket: 26 pins MIL type with strain relief, Conforming to MIL-C-83503				
Internal wiring	In common between +COM and -COM (Z type: +COM only)				
Rated voltage	12, 24 VDC, 100, 110 VAC				

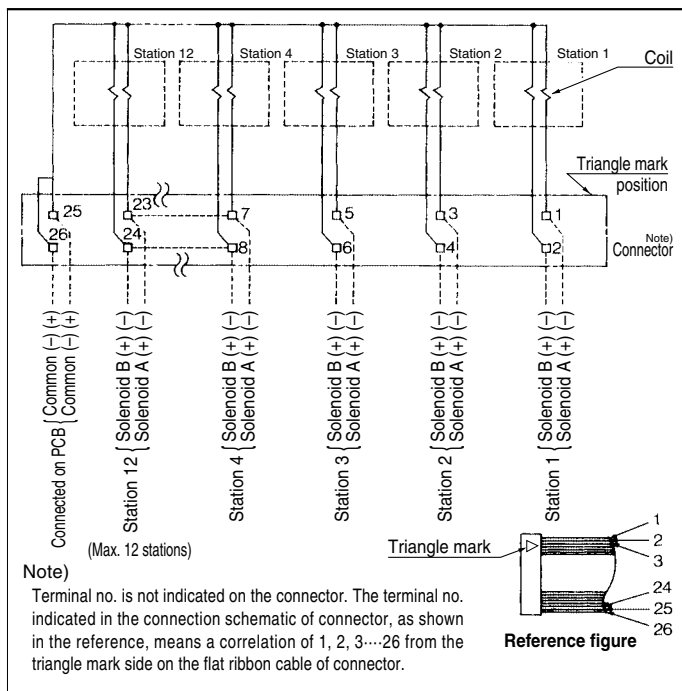
- Note 1) For more than 10 stations (more than 5 stations in the case of SS5Y7), supply pressure to P port on both sides and exhaust from EA/EB port on both sides.
- Note 2) The withstand voltage specification for the wiring unit section is JIS C 0704, Grade 1 or its equivalent.
- Note 3) Refer to "Manifold Option" on page 1-4-114.

Flow Characteristics

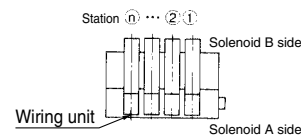
Model	Port size		Flow characteristics					
	1, 5, 3 (P, EA, EB)	4, 2 (A, B)	1 → 4/2 (P → A/B)			4/2 → 5/3 (A/B → EA/EB)		
			C (dm³/(s·bar))	b	Cv	C (dm³/(s·bar))	b	Cv
SS5Y3-41P	1/8	C6	0.75	0.19	0.18	0.81	0.23	0.20
SS5Y3-42P	1/8	C6	0.75	0.20	0.18	0.82	0.20	0.20
SS5Y5-41P	1/4	C8	1.8	0.23	0.44	1.9	0.16	0.45
SS5Y5-42P	1/4	C8	1.9	0.20	0.46	1.9	0.12	0.43
SS5Y7-42P	1/4	C10	3.0	0.25	0.75	3.0	0.12	0.66

- Note) The value is for manifold base with 5 stations and individually operated 2 position type.

Internal Wiring of Manifold (Non-polar type)



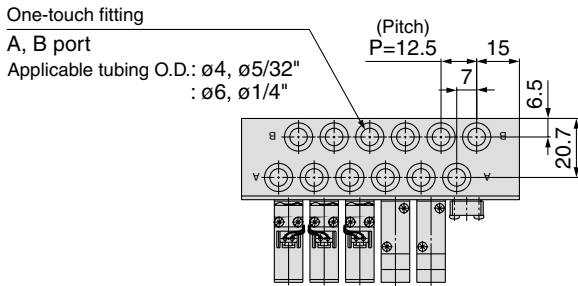
- For more than 10 stations, both poles of the common should be wired.
- For single solenoid, connect to the solenoid A side.
- The maximum number of stations that can be accommodated is 12. For more stations, please contact SMC.



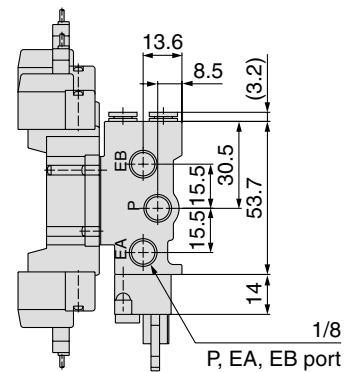
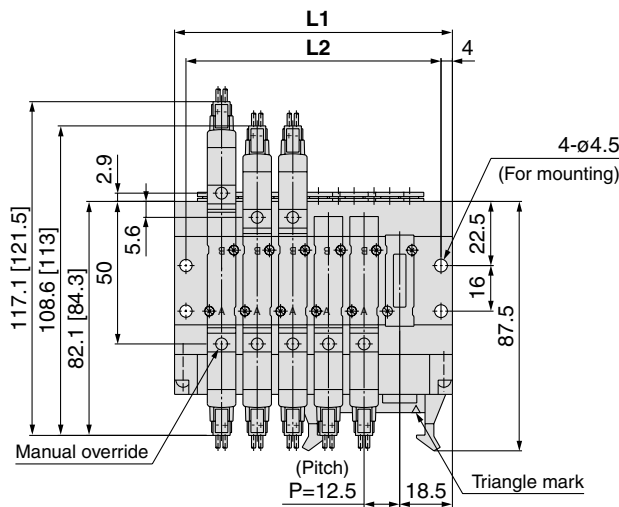
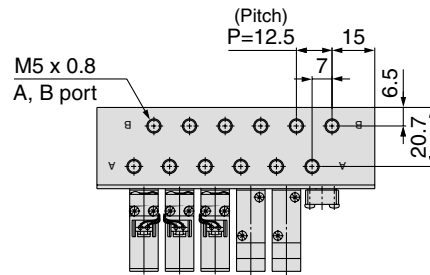
Caution

- For non-polar (U) valves, the electrical DC connections can be used with either positive and negative COM. For type (Z), only use with positive COM as the valve does not operate correctly when used with negative COM.

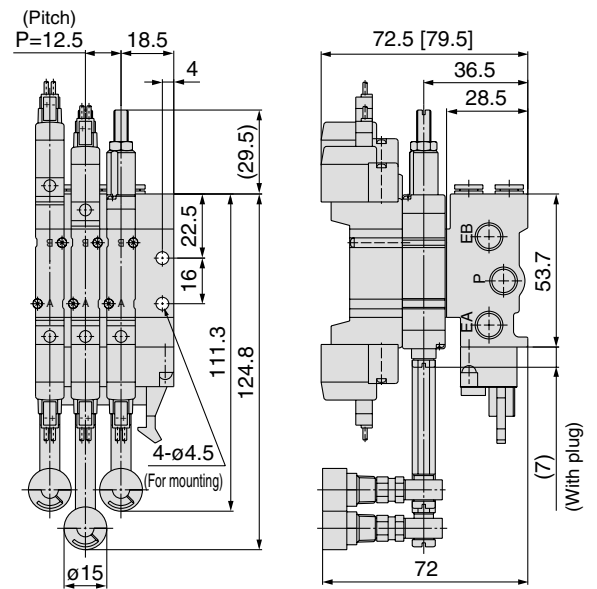
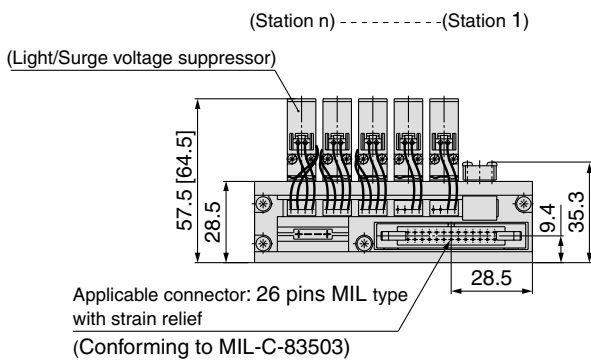
SY3000: SS5Y3-41P- Stations -M5, C4, N3, C6, N7



For M5 x 0.8



With interface regulator (with gauge)

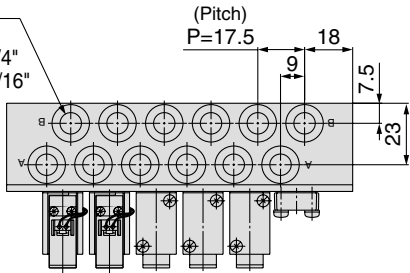


Stations n	4	5	6	7	8	9	10	11	12
L1	72.5	85	97.5	110	122.5	135	147.5	160	172.5
L2	64.5	77	89.5	102	114.5	127	139.5	152	164.5

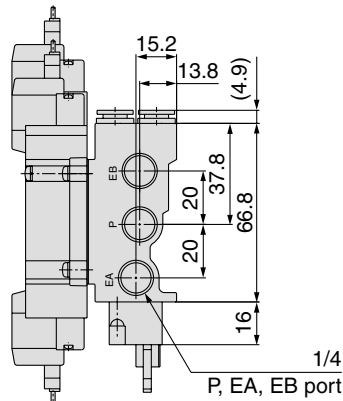
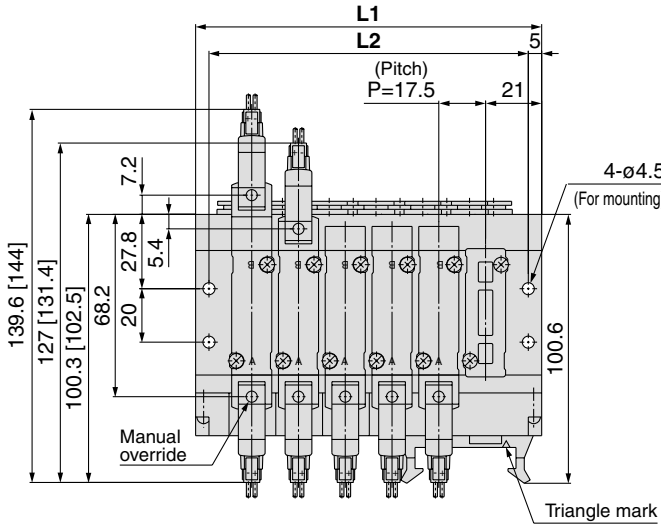
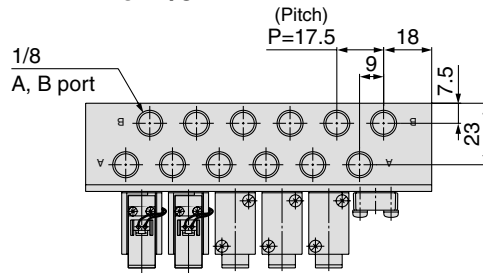
- SV
- SZ
- SY
- SYJ
- SX



One-touch fitting
A, B port
Applicable tubing O.D.: $\phi 6, \phi 1/4"$
 $\phi 8, \phi 5/16"$

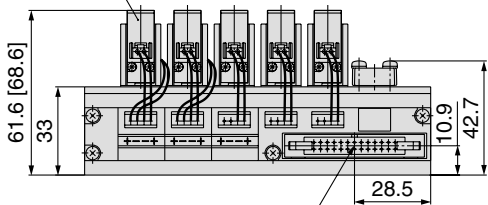


For 1/8



(Station n) ----- (Station 1)

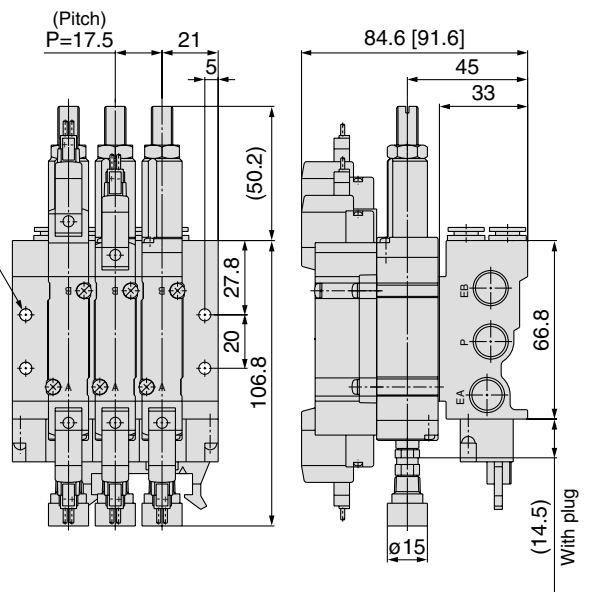
(Light/Surge voltage suppressor)



Applicable connector: 26 pins MIL type with strain relief (Conforming to MIL-C-83503)

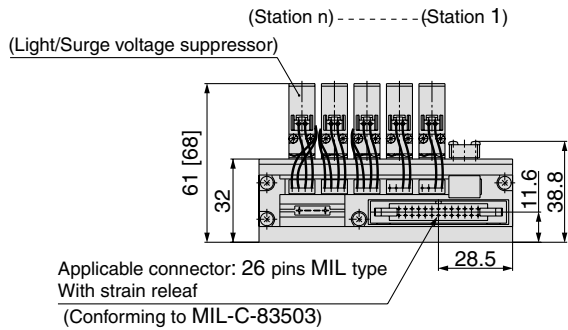
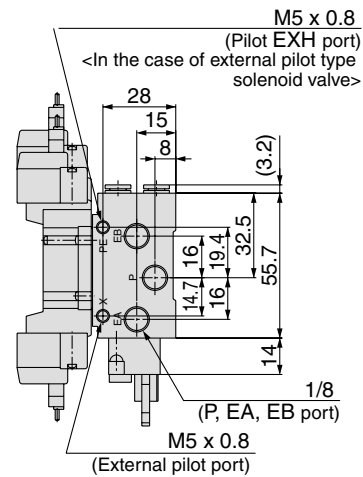
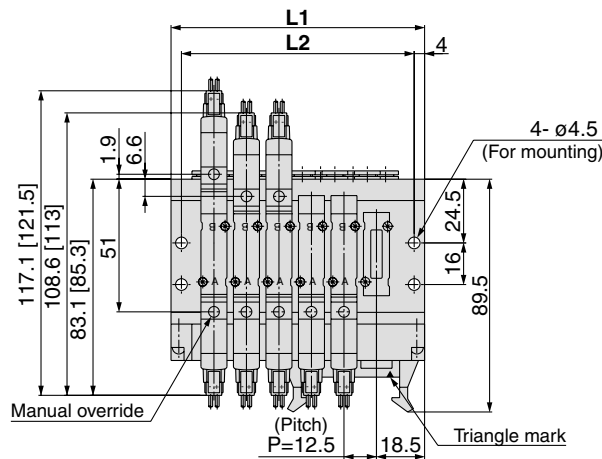
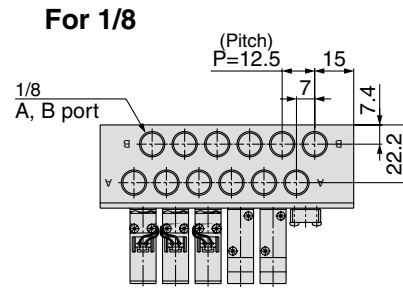
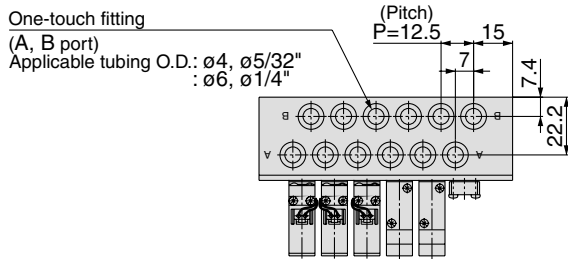
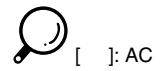
4-ø4.5 (For mounting)

With interface regulator (with gauge)

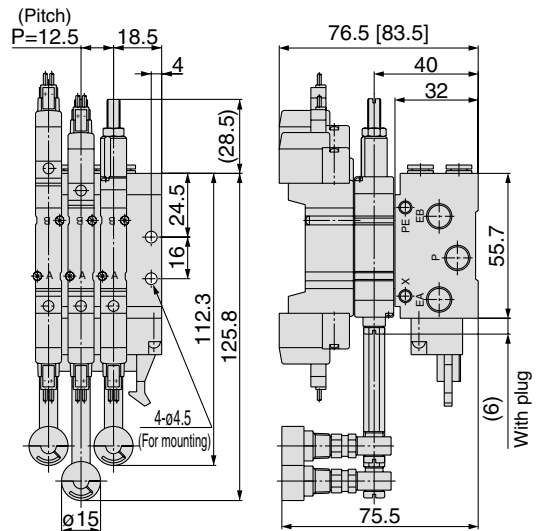


Stations n	3	4	5	6	7	8	9	10	11	12
L1	77	94.5	112	129.5	147	164.5	182	199.5	217	234.5
L2	67	84.5	102	119.5	137	154.5	172	189.5	207	224.5

SY3000: SS5Y3-42P- Stations -01, C4, N3 C6, N7



With interface regulator (with gauge)



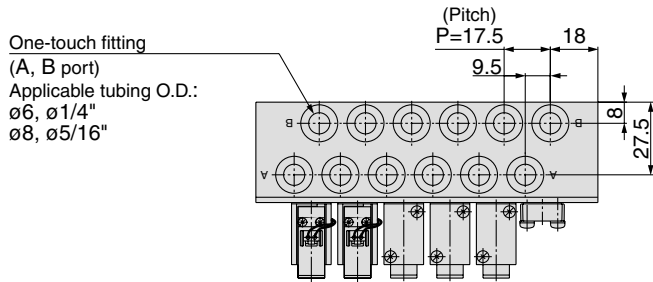
Stations n	4	5	6	7	8	9	10	11	12
L1	72.5	85	97.5	110	122.5	135	147.5	160	172.5
L2	64.5	77	89.5	102	114.5	127	139.5	152	164.5

- SV
- SZ
- SY
- SYJ
- SX

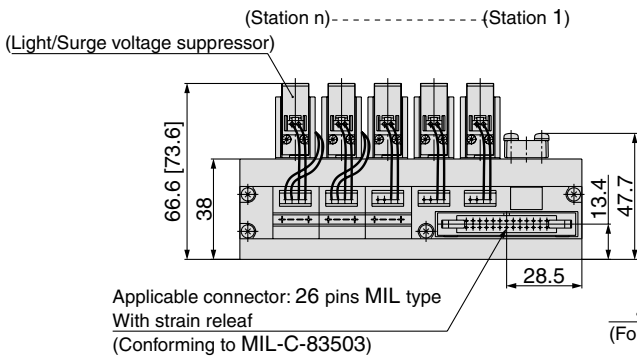
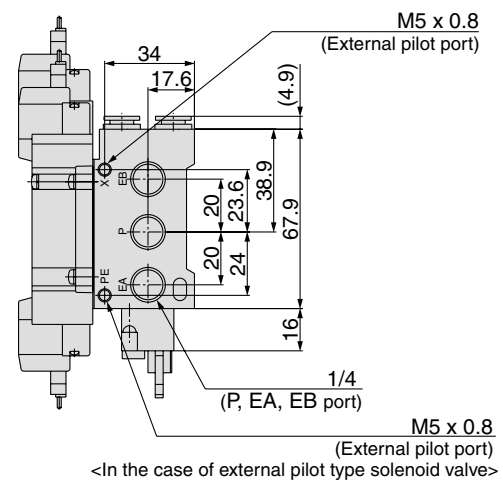
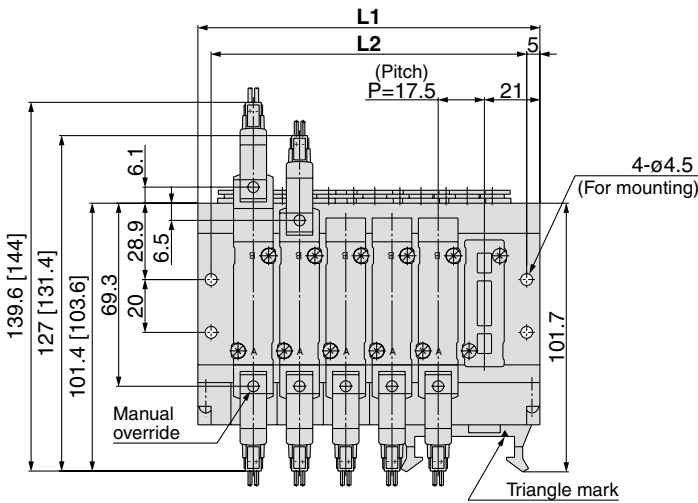
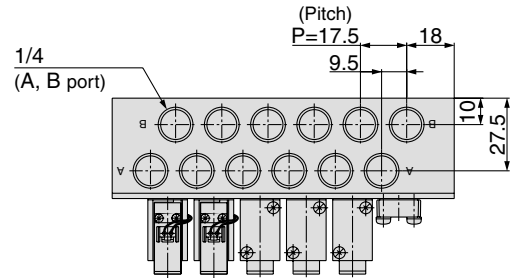
SY5000: SS5Y5-42P-Stations -02, C6, N7
C8, N9



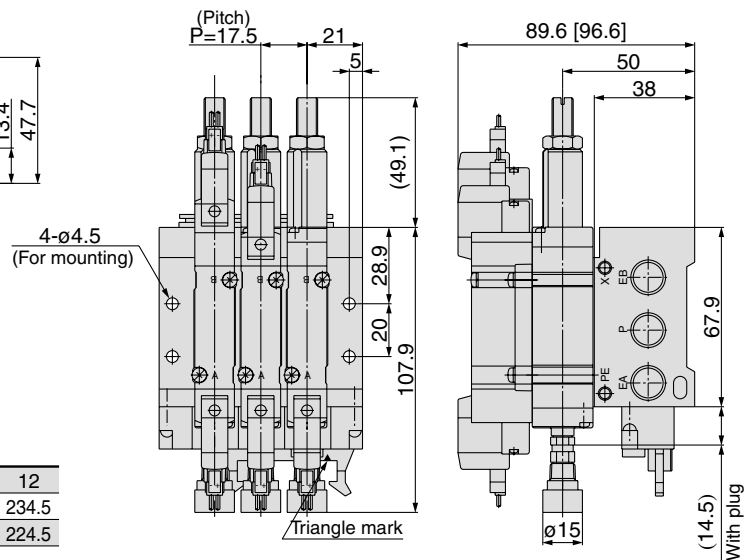
Grommet (G)



For 1/4



With interface regulator (with gauge)



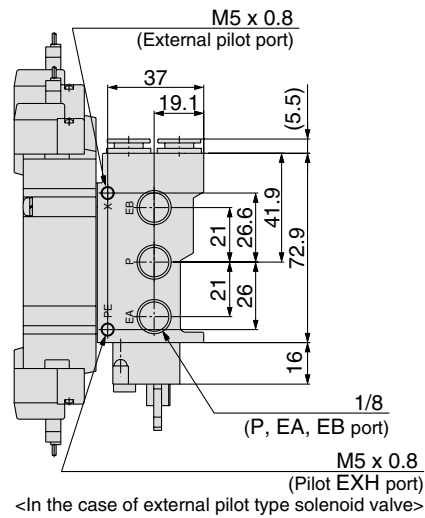
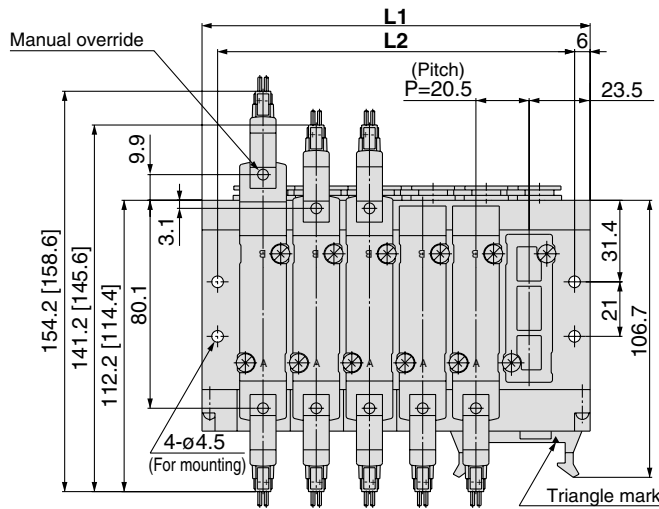
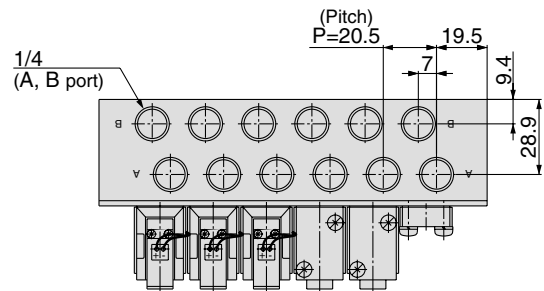
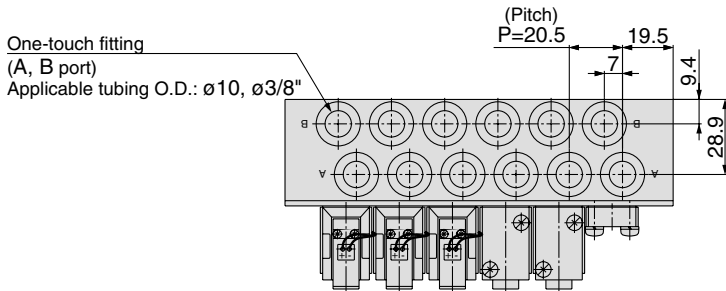
Stations n	3	4	5	6	7	8	9	10	11	12
L1	77	94.5	112	129.5	147	164.5	182	199.5	217	234.5
L2	67	84.5	102	119.5	137	154.5	172	189.5	207	224.5

SY7000: SS5Y7-42P- Stations -02, C10, N11



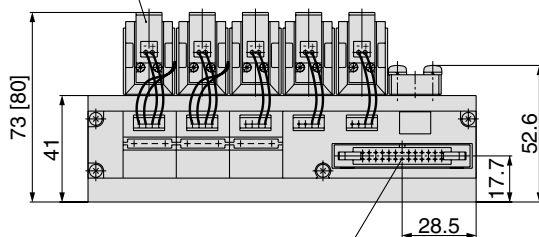
Grommet (G)

For 1/4



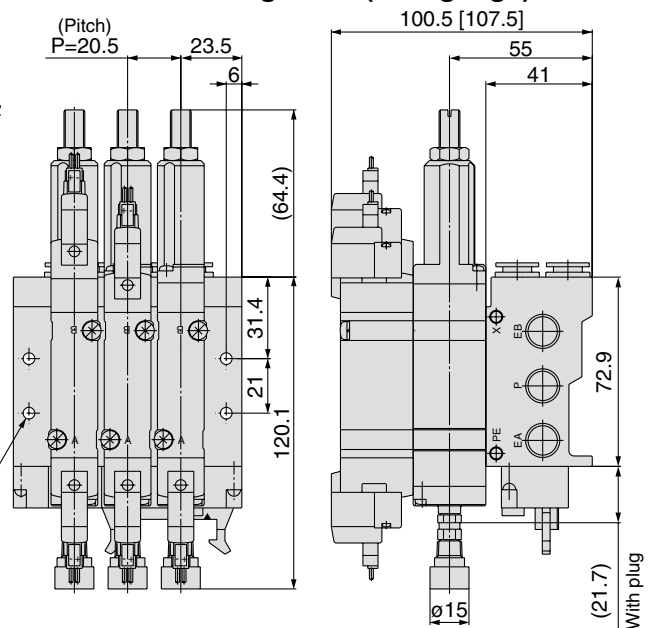
(Station n)------(Station 1)

(Light/Surge voltage suppressor)



Applicable connector: 26 pins MIL type
With strain relief
(Conforming to MIL-C-83503)

With interface regulator (with gauge)



Stations n	3	4	5	6	7	8	9	10	11	12
L1	88	108.5	129	149.5	170	190.5	211	231.5	252	272.5
L2	76	96.5	117	137.5	158	178.5	199	219.5	240	260.5

4-ø4.5 (For mounting)

- SV
- SZ
- SY
- SYJ
- SX

Series SY9000

Base Mounted Manifold

Stacking Type

Flat Ribbon Cable

Type **43P**

How to Order Manifold

SS5Y9 - 43P - 05 U [] C8 [] []

Manifold series

9	SY9000
---	--------

Valve stations

Symbol	Stations
04	4 stations
⋮	⋮
12	12 stations

* This also includes the number of blanking plate assemblies.

P, R port outlets

Symbol	Port outlet	Applicable stations
U	U side	4 to 10 stations
D	D side	
B	Both sides	

SUP/EXH block assembly specifications

Symbol	Specifications
Nil	Standard/Internal pilot
R	External pilot
S	Internal pilot/Built-in silencer
RS	External pilot/Built-in silencer

Thread type

Nil	Rc
F	G
N	NPT
T	NPTF

Option

Symbol	Mounting
Nil	Direct mounting
D	DIN rail mounting (with DIN rail)
D0	DIN rail mounting (without DIN rail)
D*	When a longer DIN rail is desired than the specified stations, specify the station number to be required into * mark.

A, B port size

Thread piping

Symbol	Port size
02	1/4
03	3/8

One-touch fitting (Metric size)

Symbol	Port size
C8	One-touch fitting for $\phi 8$
C10	One-touch fitting for $\phi 10$
C12	One-touch fitting for $\phi 12$
M	Mixed

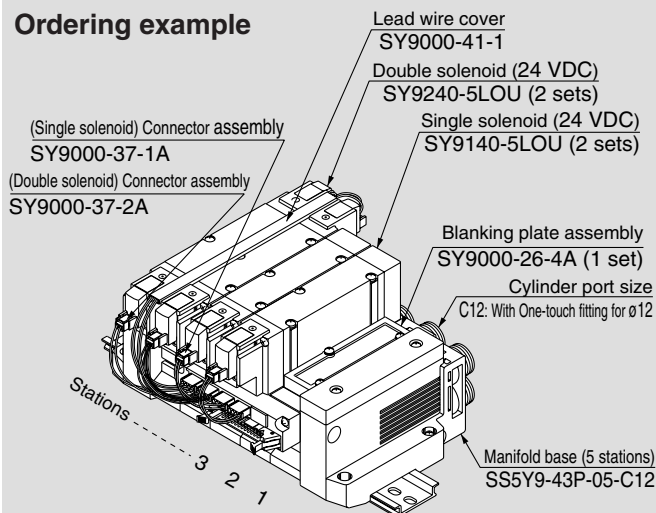
One-touch fitting (Inch size)

Symbol	Port size
N9	One-touch fitting for $\phi 5/16$ "
N11	One-touch fitting for $\phi 3/8$ "
M	Mixed

* In the case of mixed specifications (M), indicate separately on the manifold specification sheet.

How to Order Valve Manifold Assembly

Ordering example

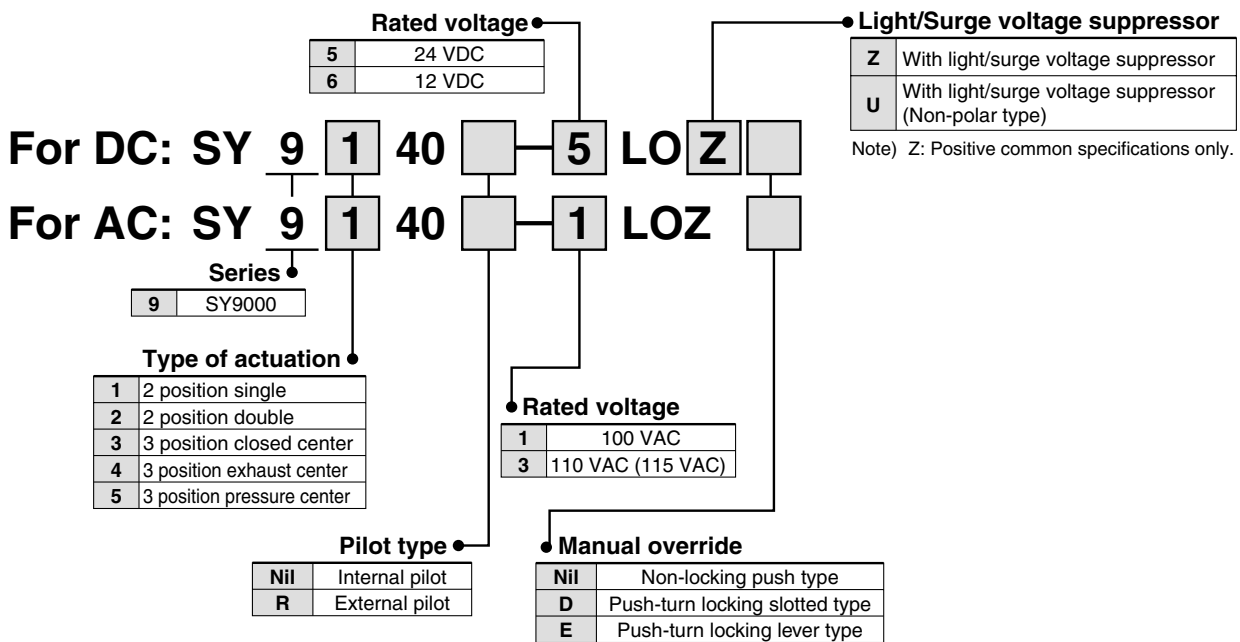


SS5Y9-43P-05B-C12	1 set (Type 43, 5 stations manifold base part no.)
* SY9000-26-4A	1 set (Blanking plate assembly part no.)
* SY9140-5LOU	2 sets (Single solenoid part no.)
* SY9240-5LOU	2 sets (Double solenoid part no.)
* SY9000-37-1A	2 sets (Connector assembly part no.)
* SY9000-37-2A	2 sets (Connector assembly part no.)
* SY9000-41-1	1 set (Lead wire cover)

The asterisk denotes the symbol for assembly. Prefix it to the part nos. of the solenoid valve, etc.

Add the valve and option part number under the manifold base part number. In the case of complex arrangement, specify them on the manifold specification sheet.

How to Order Valves



- SV
- SZ
- SY**
- SYJ
- SX

Note) In the case of flat cable type, "U" and "Z" types are for DC specifications and "Z" type is for AC specifications. "Z" type for DC is positive common specification only. For the other combination, please contact SMC.

How to Order Connector Assembly

For 12/24 VDC

For DC	For SY9000
For single solenoid	SY9000-37-1A
Double solenoid, 3 position type	SY9000-37-2A
Single with spacer assembly	SY9000-37-3A
Double, 3 position with spacer assembly	SY9000-37-4A

For 100 VAC

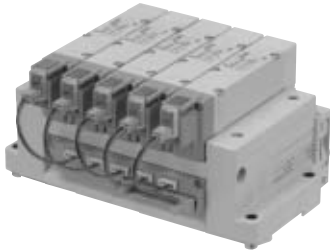
For DC	For SY9000
For single solenoid	SY9000-37-1B
Double solenoid, 3 position type	SY9000-37-2B
Single with spacer assembly	SY9000-37-3B
Double, 3 position with spacer assembly	SY9000-37-4B

For 110 VAC (115 VAC)

For DC	For SY9000
For single solenoid	SY9000-37-1C
Double solenoid, 3 position type	SY9000-37-2C
Single with spacer assembly	SY9000-37-3C
Double, 3 position with spacer assembly	SY9000-37-4C

- Multiple valve wiring is simplified through the use of the flat cable connector.
- Clean appearance

In the case of a flat ribbon cable type, each valve is wired on the print board of manifold base to allow the external wiring to be piped all together with 26 pins MIL connector.



Flat Ribbon Cable Manifold Specifications

Model	SS5Y9-43P		
Applicable valve	SY9□40		
Manifold type	Stacking type		
P (SUP)/R (EXH)	Common SUP, Common EXH		
Valve stations	4 to 12 stations ^{Note 1)}		
A, B port Porting specifications	Location	Base	
	Direction	Side	
Port size	P, EA, EB port	C12 (One-touch fitting for ø12)	
	A, B port	1/4 3/8 C8 (One-touch fitting for ø8) C10 (One-touch fitting for ø10) C12 (One-touch fitting for ø12)	
Manifold base weight W (g) n: Stations	W = 114n + 343		
Applicable flat ribbon cable connector	Flat ribbon cable connection, Socket: 26 pins MIL with strain relief, Conforming to MIL-C-83503		
Internal wiring	In common between +COM and -COM (Z type: +COM only)		
Rated voltage	12, 24 VDC, 100, 110 VAC		

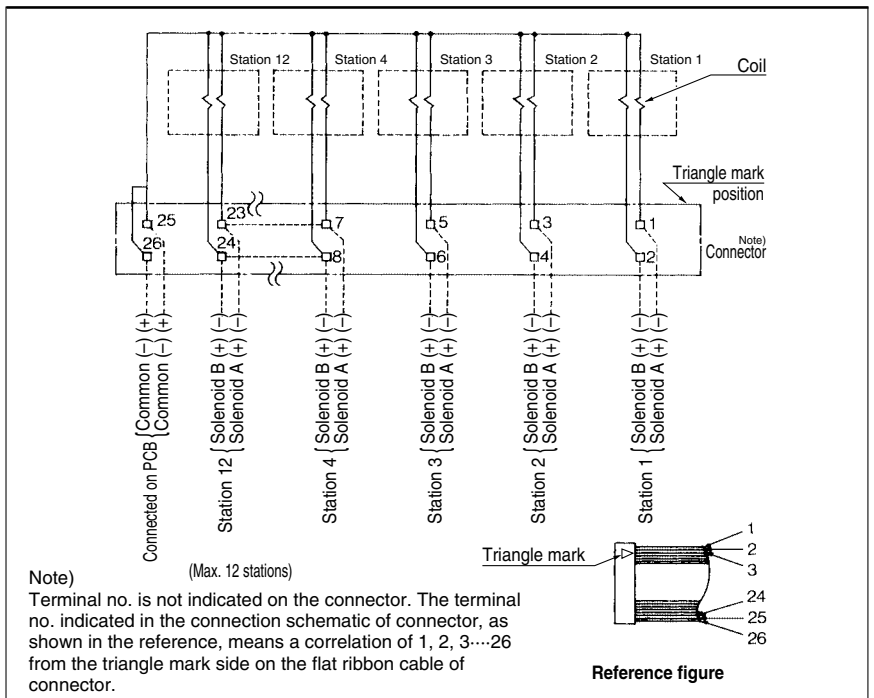
- Note 1) For more than 10 stations, supply pressure to P port on both sides and exhaust from EA/EB port on both sides.
 Note 2) The withstand voltage specification for the wiring unit section is JIS C 0704, Grade 1 or its equivalent.
 Note 3) Refer to "Manifold Option" on page 1-4-114.

Flow Characteristics

Model	Port size		Flow characteristics					
	1, 5, 3 (P, EA, EB)	4, 2 (A, B)	1 → 4/2 (P → A/B)			4/2 → 5/3 (A/B → EA/EB)		
			C (dm ³ /s-bar)	b	Cv	C (dm ³ /s-bar)	b	Cv
SS5Y9-43P	C12	C12	6.4	0.29	1.6	7.3	0.29	1.8

Note) The value is for manifold base with 5 stations and individually operated 2 position type.

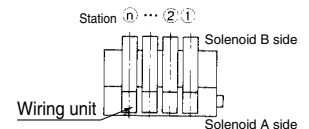
Internal Wiring of Manifold (Non-polar type)



Caution

- For non-polar (U) valves, the electrical DC connections can be used with either positive and negative COM. For type (Z), only use with positive COM as the valve does not operate correctly when used with negative COM.

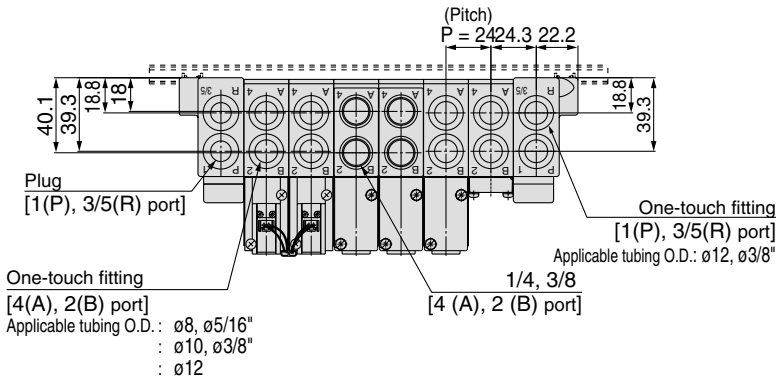
- For more than 10 stations, both poles of the common should be wired.
- For single solenoid, connect to the solenoid A side.
- The maximum number of stations that can be accommodated is 12. For more stations, please contact SMC.



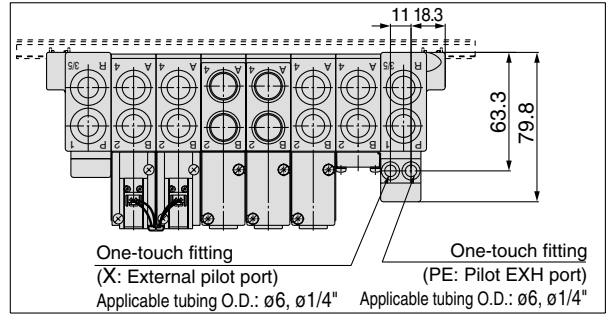
SY9000: SS5Y9-43P- Stations D -02: C8, N9 -03: C10, N11 (-D) C12



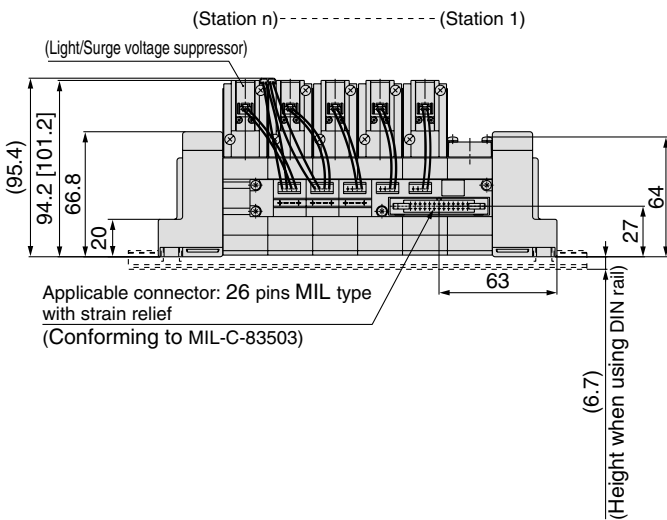
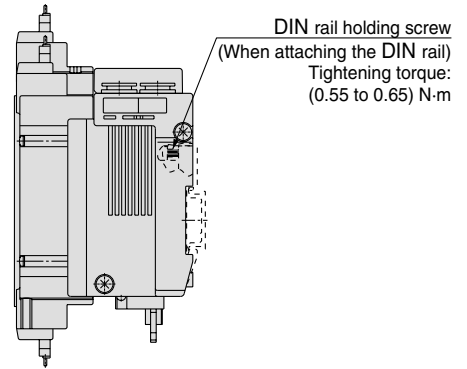
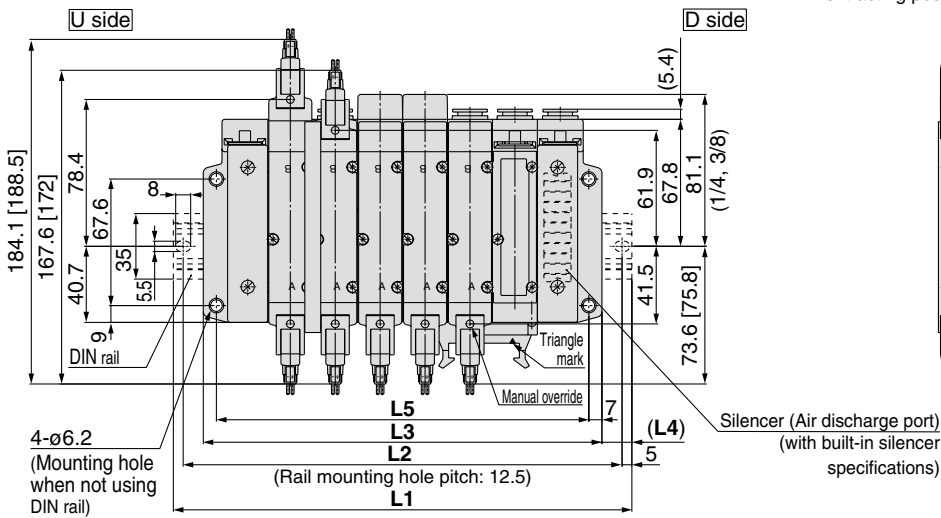
* When P, R port outlets are indicated on the D side, the P, R ports on the opposite side are plugged.



With External Pilot Specifications



* Air discharge port on the built-in silencer type and the external pilot's extracting position are in the D side.



Stations n	4 stations	5	6	7	8	9	10 stations
L1	198	223	248	260.5	285.5	310.5	335.5
L2	187.5	212.5	237.5	250	275	300	325
L3	165	189	213	237	261	285	309
L4	16.5	17	17.5	12	12.5	13	13.5
L5	151	175	199	223	247	271	295

- SV
- SZ
- SY
- SYJ
- SX

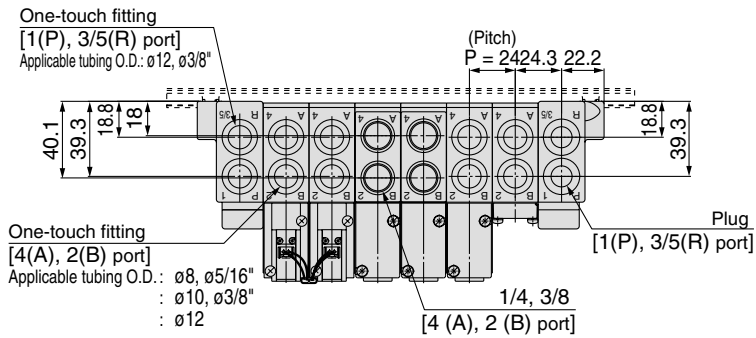
Base Mounted

Series SY9000 Type 43P

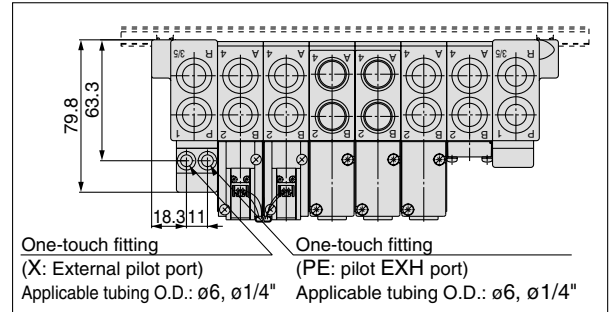
SY9000: SS5Y9-43P- Stations U 02: C8, N9 -03: C10, N11 C12 (-D)

[] : AC

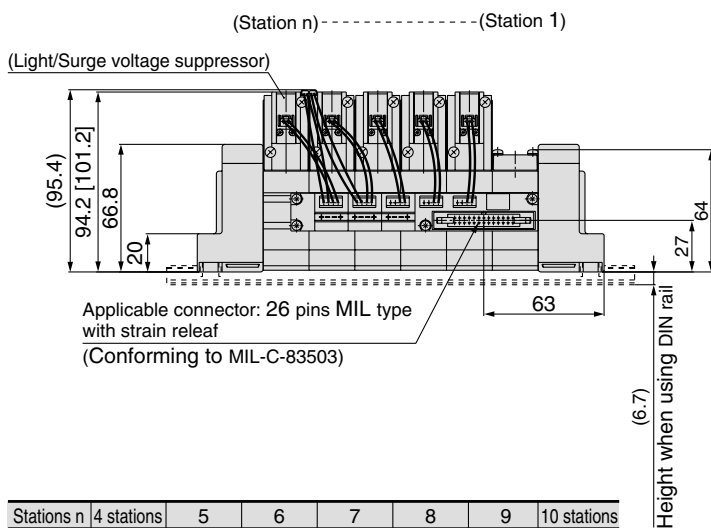
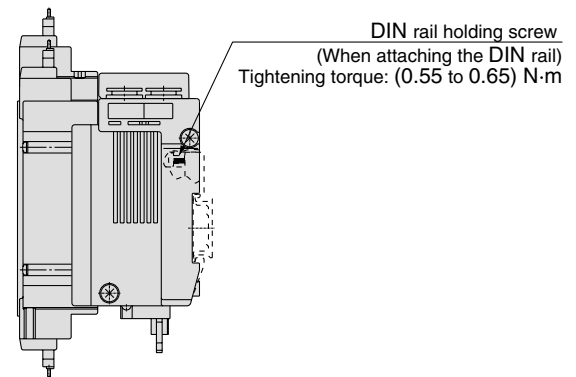
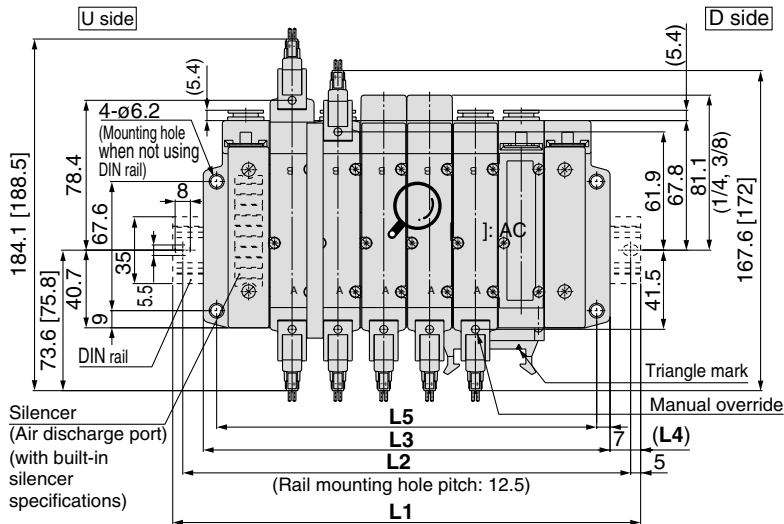
* When P, R port outlets are indicated on the U side, the P, R ports on the opposite side are plugged.



With External Pilot Specifications



* Air discharge port on the built-in silencer type and the external pilot's extracting position are in the U side.

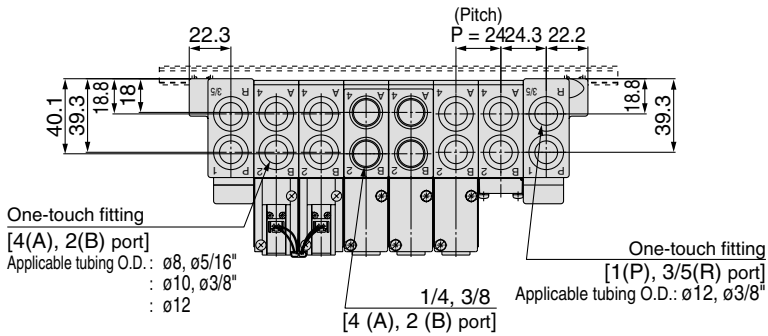


Stations n	4 stations	5	6	7	8	9	10 stations
L1	198	223	248	260.5	285.5	310.5	335.5
L2	187.5	212.5	237.5	250	275	300	325
L3	165	189	213	237	261	285	309
L4	16.5	17	17.5	12	12.5	13	13.5
L5	151	175	199	223	247	271	295

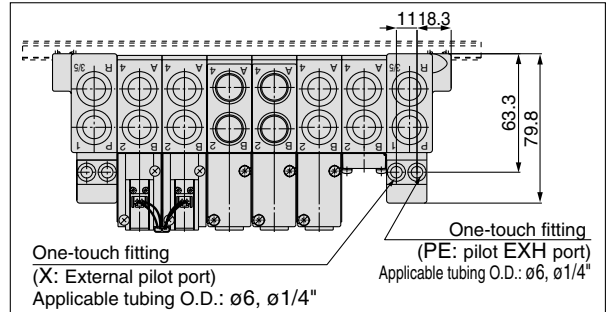
SY9000: SS5Y9-43P- Stations B 02 C8, N9 -03 C10, N11 C12 (-D)

[] : AC

* When P, R port outlets are indicated on the B side, the P, R ports on the both sides are in the open state.

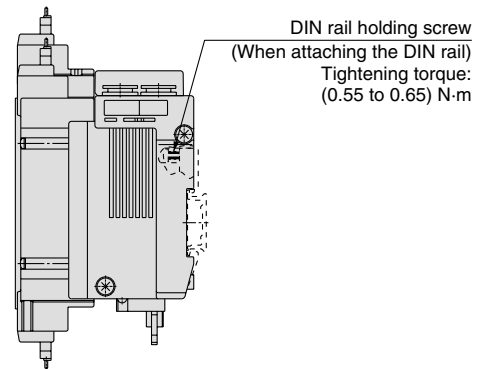
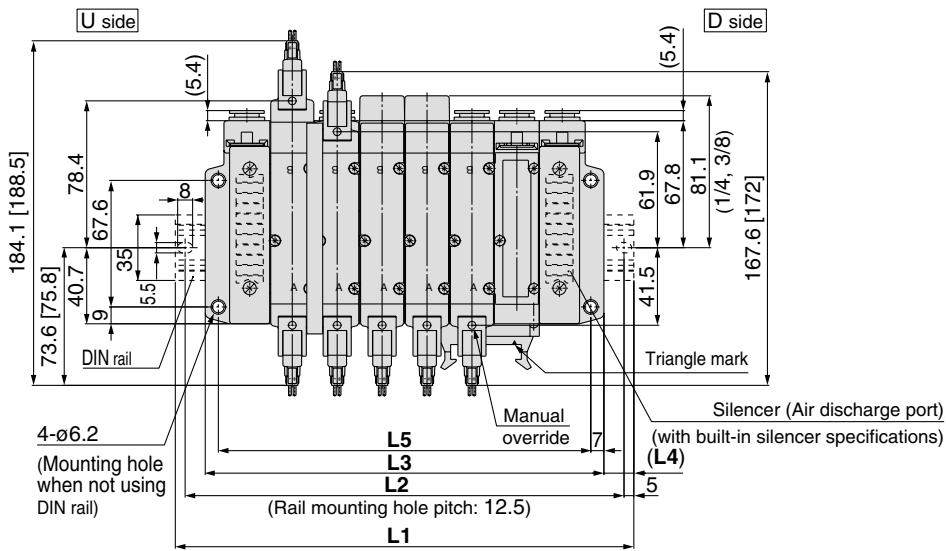


With External Pilot Specifications



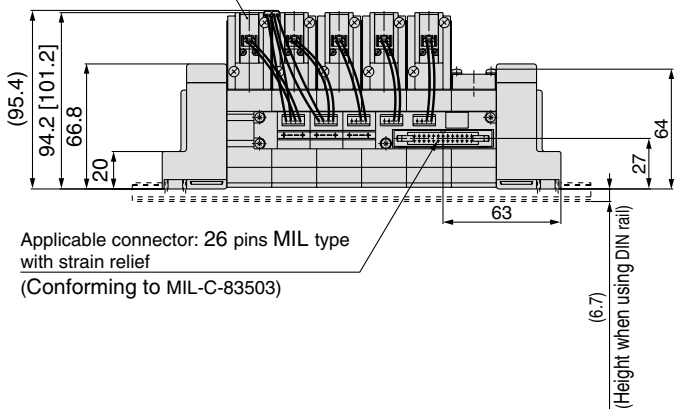
* Air discharge port on the built-in silencer type and the external pilot's extracting position are in the B side (both sides).

- SV
- SZ
- SY
- SYJ
- SX



(Station n)------(Station 1)

(Light/Surge voltage suppressor)



Stations n	4 stations	5	6	7	8	9	10	11	12 stations
L1	198	223	248	260.5	285.5	310.5	335.5	360.5	385.5
L2	187.5	212.5	237.5	250	275	300	325	350	375
L3	165	189	213	237	261	285	309	333	357
L4	16.5	17	17.5	12	12.5	13	13.5	14	14.5
L5	151	175	199	223	247	271	295	319	343

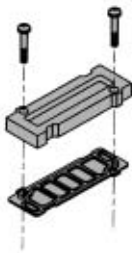
Base Mounted

Series SY3000/5000/7000/9000



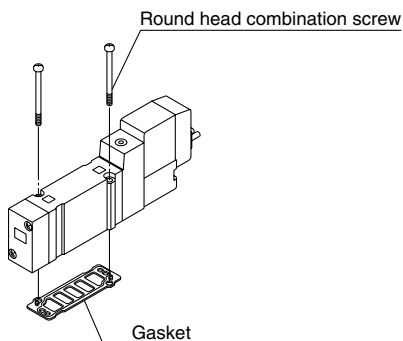
Manifold Option

■ Type 41, 42, 43 Blanking plate assembly



Series	Assembly part no.
SY3000	SY3000-26-9A
SY5000	SY5000-26-20A
SY7000	SY7000-26-22A
SY9000	SY9000-26-2A

■ Gasket assembly part no.



Series	Gasket assembly
SY3000	SY3000-GS-2
SY5000	SY5000-GS-2
SY7000	SY7000-GS-2
SY9000	SY9000-GS-2

Note) Gasket assembly consists of mounting screws (2 pcs.) and a gasket.

⚠ Caution

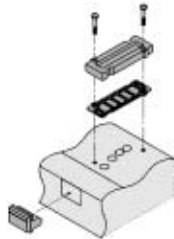
Mounting screw tightening torques

M2: 0.16 N·m
M3: 0.8 N·m
M4: 1.4 N·m

⚠ Warning

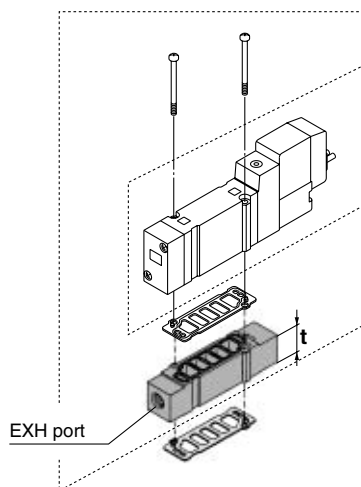
When mounting a valve or spacer on the manifold base or sub-plate, etc., those mounting directions are determined. If mounted in the wrong direction, the equipment to be connected may cause malfunction. Refer to external dimensions, and then mount it.

■ Type 41P, 42P, 43P Blanking plate assembly



Series	Assembly part no.
SY3000	SY3000-26-10A
SY5000	SY5000-26-21A
SY7000	SY7000-26-23A
SY9000	SY9000-26-4A

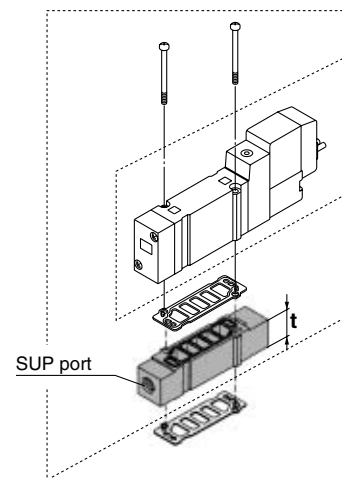
■ Individual EXH spacer assembly



Series	Assembly part no.	Port size	t
SY3000	SY3000-39-2A	M5 x 0.8	11
SY5000	SY5000-39-16*A	1/8	15
SY7000	SY7000-39-16*A	1/4	18
SY9000	SY9000-39-2*A	1/4	20

Note) In case of 41P, 42P and 43P, for protection of the wiring unit section from drainage, piping at the EA port should be arranged so that it will not be directly exposed to exhaust from the valve.

■ Individual SUP spacer assembly

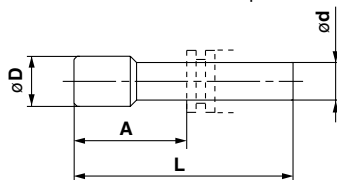


Series	Assembly part no.	Port size	t
SY3000	SY3000-38-2A	M5 x 0.8	11
SY5000	SY5000-38-16*A	1/8	15
SY7000	SY7000-38-16*A	1/4	18
SY9000	SY9000-38-2*A	1/4	20

Note) • The SUP port of SY3000, 5000 and 7000 may be either on the lead wire side or on the end plate side. (An assembly is shipped under the condition shown in the figure.)
• The end plate side is only available to SY9000.

■ Plug (white)

These are inserted in unused cylinder ports and SUP, EXH ports. Purchasing order is available in units of 10 pieces.



Dimensions

Applicable fittings size o.d.	Model	A	L	D
4	KQ2P-04	16	32	6
6	KQ2P-06	18	35	8
8	KQ2P-08	20.5	39	10
10	KQ2P-10	22	43	12
12	KQ2P-12	24	44.5	14
1/8"	KQ2P-01	16	31.5	5
5/32"	KQ2P-03	16	32	6
1/4"	KQ2P-07	18	35	8.5
5/16"	KQ2P-09	20.5	39	10
3/8"	KQ2P-11	22	43	11.5

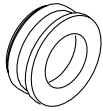
* Thread type

Nil	Rc
F	G
N	NPT
T	NPTF

Manifold Option

■ SUP block disk (For SY9000)

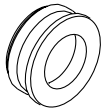
By installing a SUP block disk in the pressure supply passage of a manifold valve, it is possible to supply two or more different high and low pressures to one manifold.



Series	Part no.
SY9000	SY9000-57-1A

■ EXH block disk (For SY9000)

By installing an EXH block disk in the exhaust passage of a manifold valve, it is possible to divide the valve's exhaust so that it does not affect another valve. (Two blocking disks are needed to divide both exhausts.)



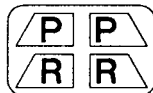
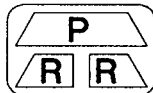
Series	Part no.
SY9000	SY9000-57-1A

■ Label for block disk (For SY9000)

The labels shown below are used on manifold stations containing SUP/EXH block disk(s) to show their location. (3 pcs. each)

VZ3000-123-1A

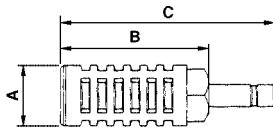
Label for SUP block disk Label for EXH block disk Label for SUP/EXH block disk



Note) When a block disk is concurrently ordered by specifying on the manifold specification sheet, etc., a label will be stuck on the position where block disk is mounted.

■ Silencer with One-touch fitting (For SY9000)

The silencer plugs directly into the One-touch fittings of the manifold R (exhaust) port.



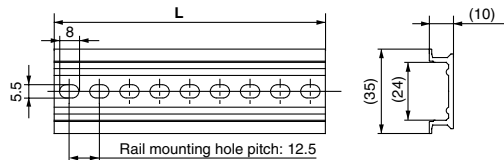
For Series	Model	Effective area	A	B	C
SY9000 (ø12)	AN300-KM12	41 mm ²	ø25	70	98

■ DIN Rail Dimensions/Weight for SY9000

VZ1000-11-4-□

● Refer to L dimensions

* Fill in □ with an appropriate no. listed on the table of DIN rail dimensions shown below.

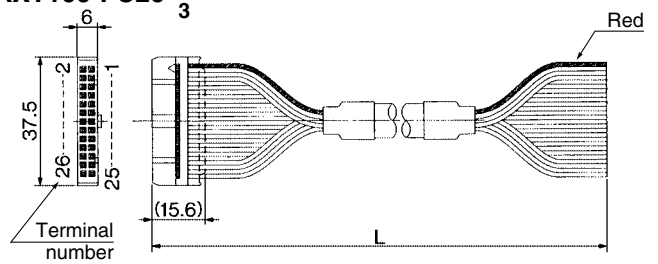


No.	0	1	2	3	4	5	6	7	8	9
L Dimension	98	110.5	123	135.5	148	160.5	173	185.5	198	210.5
Weight (g)	24.8	28	31.1	34.3	37.4	40.6	43.8	46.9	50.1	53.3
No.	10	11	12	13	14	15	16	17	18	19
L Dimension	223	235.5	248	260.5	273	285.5	298	310.5	323	335.5
Weight (g)	56.4	59.6	62.7	65.9	69.1	72.2	75.4	78.6	81.7	84.9
No.	20	21	22	23	24	25	26	27	28	29
L Dimension	348	360.5	373	385.5	398	410.5	423	435.5	448	460.5
Weight (g)	88	91.2	94.4	97.5	100.7	103.9	107	110.2	113.3	116.5

Note) • For DIN rail, refer to page 1-4-208.
• Refer to L1 dimension on pages starting with pages 1-4-111 to 113 for lengths that correspond to the number of manifold stations.

■ Cable assembly

AXT100-FC26-1



Connector assembly for flat ribbon cables

Cable length (L)	Assembly part no.	Note
1.5 m	AXT100-FC26-1	Cable 26 core x 28 AWG
3 m	AXT100-FC26-2	
5 m	AXT100-FC26-3	

* For other commercial connectors, use a 20 pins with strain relief conforming to MIL-C-83503.

Connector manufacturers' example

- Hirose Electric Co., Ltd.
- Japan Aviation Electronics Industry, Ltd.
- Sumitomo 3M Limited
- J.S.T. Mfg. Co., Ltd.
- Fujitsu Limited

SV
SZ
SY
SYJ
SX

Base Mounted

Series SY3000/5000/7000

Type 41 Type 41P
Type 42 Type 42P

Manifold Option

How to Order Interface Regulator

Series SY3000

ARBY3000-05-P-2

Pressure gauge connection port

05	Pressure gauge (G15-10-01)
M1	Plug (M-5P)



Note In the case of Series ARBY3000 with a pressure gauge when mounting on the manifold, use caution that the part numbers are different between the odd no. stations and the even no. stations to avoid gauges from interfering from each others.

Regulating port

P	P port
A1	A port (P controlled type, A port regulation)
B1	B port (P controlled type, B port regulation)

Series SY5000

ARBY5000-00-P-2

Pressure gauge connection port

00	Pressure gauge (G15-10-01)
M1	Plug (M-5P)

Regulating port

P	P port
A1	A port (P controlled type, A port regulation)
B1	B port (P controlled type, B port regulation)

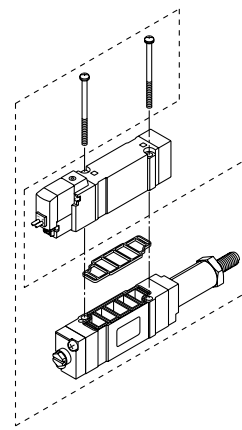
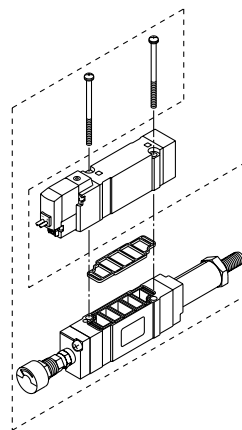
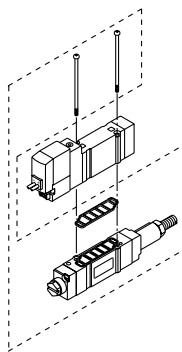
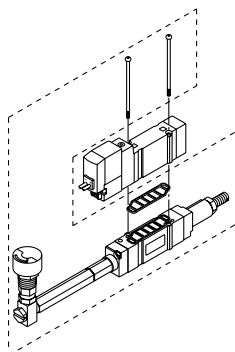
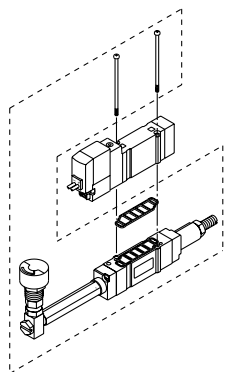
ARBY3000-05-□-2
(For odd number stations)

ARBY3000-06-□-2
(For even number stations)

ARBY3000-M1-□-2

ARBY5000-00-□-2

ARBY5000-M1-□-2



Series SY7000

ARBY7000-00-P-2

Pressure gauge connection port

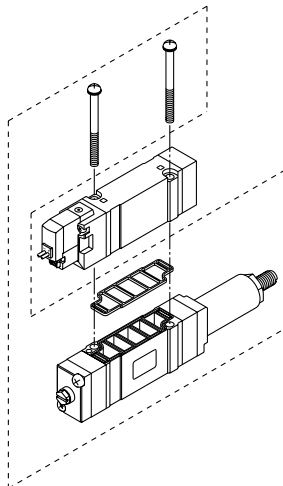
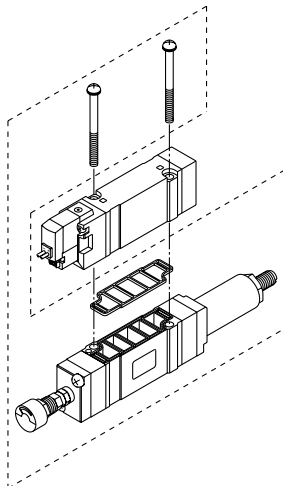
00	Pressure gauge (G15-10-01)
M1	Plug (M-5P)

Regulating port

P	P port
A1	A port (P controlled type, A port regulation)
B1	B port (P controlled type, B port regulation)

ARBY7000-00-□-2

ARBY7000-M1-□-2



Accessory

Series	Round head combination screw	Gasket
ARBY3000	SY3000-23-10 (M2336)	SX3000-57-4
ARBY5000	M3 x 48.5, Matt nickel plated	SX5000-57-6
ARBY7000	M4 x 57, Matt nickel plated	SX7000-57-4

Caution

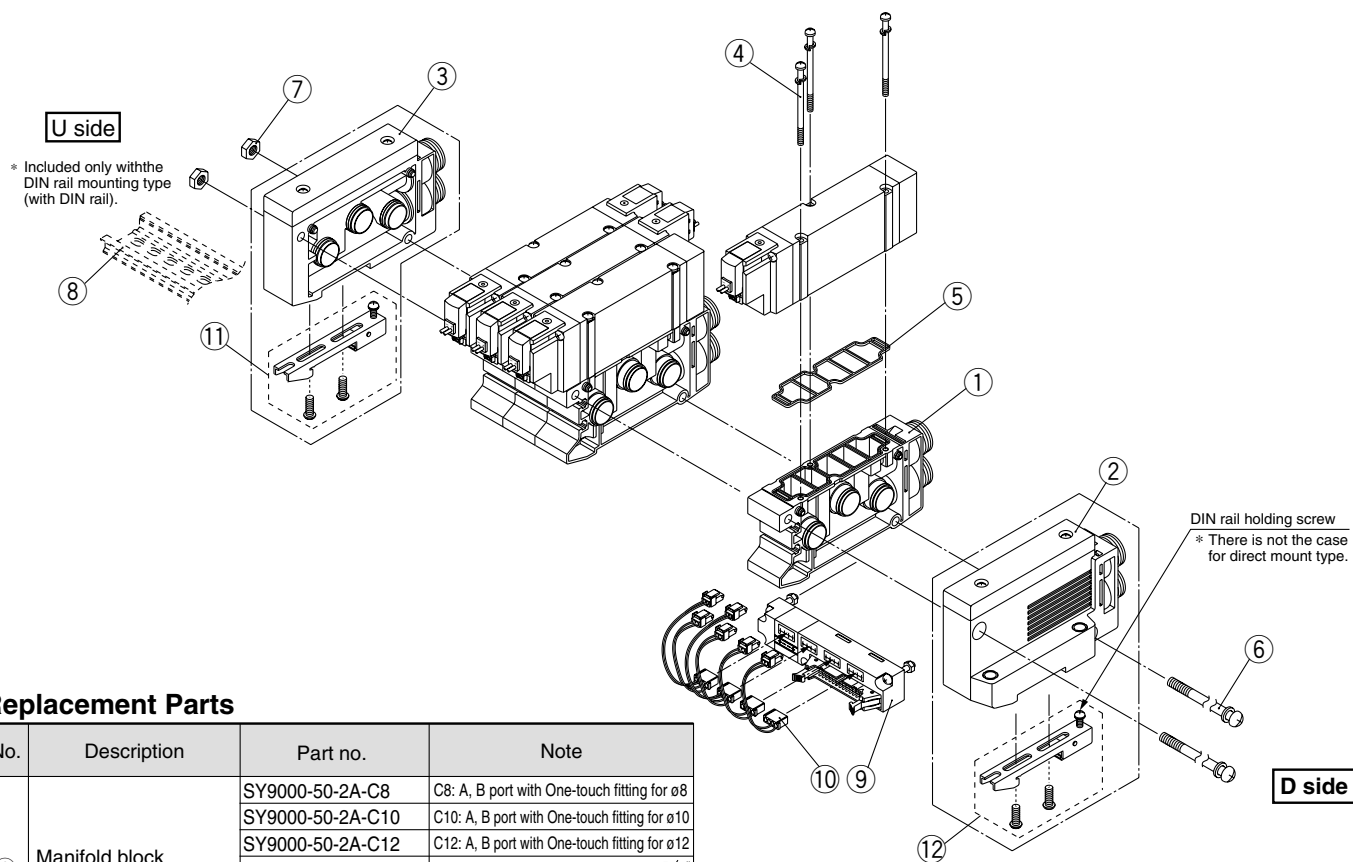
Mounting screw tightening torques

M2: 0.16 N·m

M3: 0.8 N·m

M4: 1.4 N·m

Base Mounted Manifold Exploded View

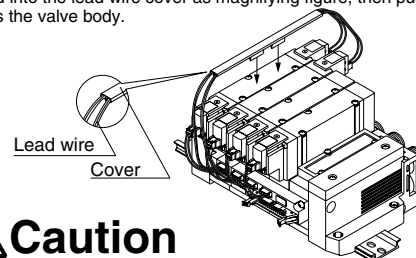


- SV
- SZ
- SY
- SYJ
- SX

Replacement Parts

No.	Description	Part no.	Note
①	Manifold block assembly	SY9000-50-2A-C8	C8: A, B port with One-touch fitting for $\phi 8$
		SY9000-50-2A-C10	C10: A, B port with One-touch fitting for $\phi 10$
		SY9000-50-2A-C12	C12: A, B port with One-touch fitting for $\phi 12$
		SY9000-50-2A-N9	N9: A, B port with One-touch fitting for $\phi 5/16"$
		SY9000-50-2A-N11	N11: A, B port with One-touch fitting for $\phi 3/8"$
		SY9000-50-2A-02*	02: A, B port $1/4"$ (* thread type)
		SY9000-50-2A-03*	03: A, B port $3/8"$ (* thread type)
④	Round head combination screw	SY9000-18-2	M3 x 42, Matt nickel plated
⑤	Gasket	SY9000-11-2	
⑥	Tension bolt	SY9000-23-□	□ at the end of part number corresponds with the number of manifold station. Specify the same number as the number of stations.
⑦	Hexagon nut	SY9000-25-1	
⑧	DIN rail	VZ1000-11-4-□	Refer to page 1-4-115.
⑨	Wiring unit assembly	SY9000-36-□A	□ at the end of part number corresponds with the number of manifold station. Specify the same number as the number of stations (4 to 12 stations)
⑩	Connector assembly	SY9000-37-□□	Refer to page 1-4-109.
⑪	Lead wire cover	SY9000-41-1	
⑫	Clamp sub assembly	SY9000-30-1A	Included only with the DIN rail mounting type.

⑪ **How to assemble lead wire cover**
 Lead wire cover is only usable for double solenoid valves. Lead wire is inserted into the lead wire cover as magnifying figure, then push it until it touches the valve body.



Caution

For type 43P (Flat cable manifold) of Series SY9000, the lead wire cover is attached for bundling the lead wires for each solenoid. In case such as adding double solenoid valve, etc., order separately lead wire cover as well.

② SUP/EXH block assembly no. (D side mounting)

- Direct mount type: **SY9000-70-□A-□**
- DIN rail mounting type: **SY9000-72-□A-□**

• P, R port

C12	One-touch fitting for $\phi 12$
N11	One-touch fitting for $\phi 3/8"$
00	Plug

Specifications

1	Internal pilot
3	External pilot
4	Internal pilot/Built-in silencer
5	External pilot/Built-in silencer

③ SUP/EXH block assembly no. (U side mounting)

- Direct mount type: **SY9000-71-□A-□**
- DIN rail mounting type: **SY9000-73-□A-□**

• P, R port

C12	One-touch fitting for $\phi 12$
N11	One-touch fitting for $\phi 3/8"$
00	Plug

Specifications

1	Internal pilot
3	External pilot
4	Internal pilot/Built-in silencer
5	External pilot/Built-in silencer

How to Increase Manifold Base (Series SY9000 only) Manifold case can be added at any location.

When a type 43 manifold base is added, tension bolts as well as manifold block assembly will be required. Order the tension bolt suitable for the stations after a station was increased (decreased), since the length of a tension bolt differs by the number of stations. (For changing the number of stations for a type 43P manifold, wiring unit for the stations and lead assembly will be required.)

- 1 Loosen the tension bolts connecting the manifold base, and pull out both of 2 tension bolts.
(When equipped with a DIN rail, loosen one DIN rail holding screw on either U side or D side.)
- 2 Separate the blocks at the location where station expansion is desired.
- 3 Mount additional manifold block assembly.
- 4 Press block-to-block so that there's no gap. After connection, insert a tension bolt for desired stations and then tighten it.

⚠ Caution (Tightening torque: 2.9 N·m)

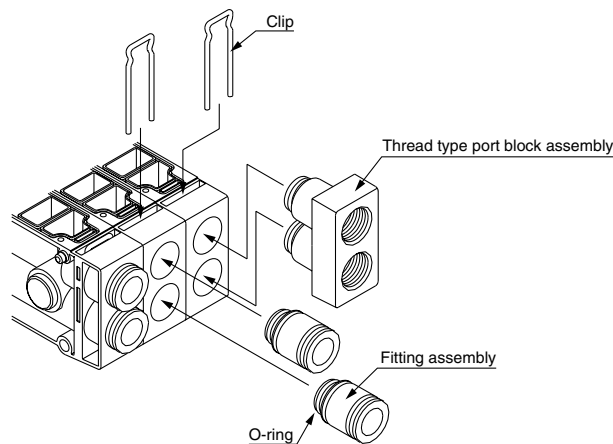
(When equipped with a DIN rail, be sure to tighten the DIN rail holding screws after tightening the tension bolts. Tightening torque: 1.4 N·m)

⚠ Caution

1. Be sure to shut off the power and air supplies before disassembly. Furthermore, since air may remain inside the actuator, piping and manifold, confirm that the air is completely exhausted before performing any work.
2. When disassembly and assembly are performed, air leakage may result if connections between blocks and tightening of the end block's holding screw, is inadequate.
3. By adding wiring unit assembly to type 43 manifold, it can be changed to type 43P manifold, too.

How to Replace A, B Port Fitting Assembly

By replacing manifold block fitting assemblies or the threaded port block assembly of a type 43(P) manifold, the port size of the A and B ports can be changed. To replace these parts, remove the clip with a flat head screwdriver after the valve has been removed. Insert the fitting assemblies or threaded port block assembly, and then reinsert the clip so that it does not protrude from the manifold block.



Fitting Assembly Part No.

Port size	Part no.	Note
One-touch fitting assembly for $\phi 8$	VVQ4000-50B-C8	
One-touch fitting assembly for $\phi 10$	VVQ4000-50B-C10	
One-touch fitting assembly for $\phi 12$	VVQ4000-50B-C12	
One-touch fitting for $\phi 5/16"$	VVQ4000-50B-N9	
One-touch fitting for $\phi 3/8"$	VVQ4000-50B-N11	
$1/4$ threaded type port block assembly	SY9000-58A-02*	—* at the end of part number denotes the thread type.
$3/8$ threaded type port block assembly	SY9000-58A-03*	—* at the end of part number denotes the thread type.
Plug assembly	SY9000-62-1A	

Note 1) Be careful to avoid damage or contamination of O-rings, as this can cause air leakage.

Note 2) Although replacing One-touch fittings of P, R port is also possible, use caution to the cases, etc. in which solenoid valves are often used at the same time by using the smaller sized fittings than the standard size ($\phi 12$). Because there may not be able to supply or exhaust air sufficiently in comparison with the valve performances. Besides, although fittings used for A, B port are the same, it is not possible to use the threaded type port block assembly.

Type **45**

Series SY3000/5000

Base Mounted Monifold

Stacking Type/DIN Rail Mounted

Individual Wiring

How to Order Manifold

SS5Y 3 - 45 - 05 U - C6

Series	Valve stations
3 SY3000	02 2 stations
5 SY5000	⋮ ⋮
	20 20 stations

SUP/EXH block assembly mounting position

Symbol	Mounting position	Applicable no. of stations
U	U side	2 to 10 stations
D	D side	2 to 10 stations
B	(Both sides)	2 to 20 stations
M*	Special specifications	

* For special specifications, indicate separately on the manifold specification sheet.

A, B port size

One-touch fitting (Metric size)

Symbol	Port size	Applicable series
C4	One-touch fitting for $\phi 4$	SY3000
C6	One-touch fitting for $\phi 6$	
M	Mixed	SY5000
C4	One-touch fitting for $\phi 4$	
C6	One-touch fitting for $\phi 6$	
C8	One-touch fitting for $\phi 8$	
M	Mixed	

One-touch fitting (Inch size)

Symbol	Port size	Applicable series
N3	One-touch fitting for $\phi 5/32$ "	SY3000
N7	One-touch fitting for $\phi 1/4$ "	
M	Mixed	SY5000
N3	One-touch fitting for $\phi 5/32$ "	
N7	One-touch fitting for $\phi 1/4$ "	
N9	One-touch fitting for $\phi 5/16$ "	
M	Mixed	

* In the case of mixed specifications (M), indicate separately on the manifold specification sheet.

Option

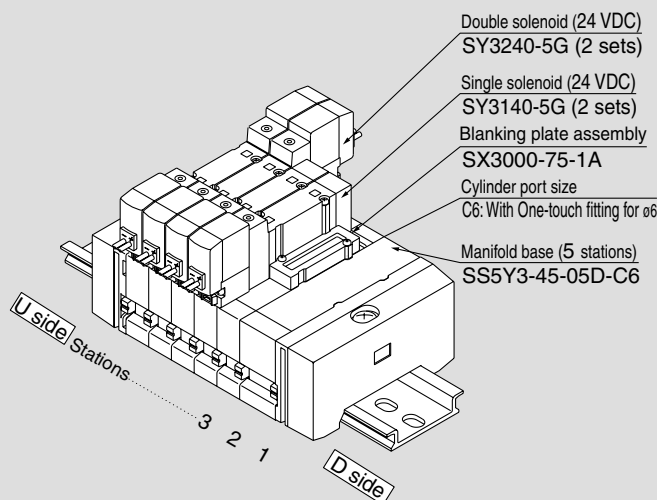
When a longer DIN rail is desired than the specified stations, specify the station number to be required. (20 stations at maximum)



For external pilot specifications and built-in silencer, refer to catalog on page 1-4-194.

How to Order Valve Manifold Assembly

Ordering example



SS5Y3-45-05D-C6 1 set (Type 45, 5 stations manifold base part no.)
 * **SX3000-75-1A** 1 set (Blanking plate assembly part no.)
 * **SY3140-5G** 2 sets (Single solenoid part no.)
 * **SY3240-5G** 2 sets (Double solenoid part no.)

→The asterisk denotes the symbol for assembly.
Prefix it to the part nos. of the solenoid valve, etc

The valve arrangement is numbered as the 1st. station from D side regardless of the mounting position of SUP/EXH block assembly. In ordering, specify the part nos. in the order from the 1st. station on D side. Besides, when the arrangement will be complicated, fill out the manifold specification sheet to instruct us.

How to Order Valves

SY 5 2 40 [] 5 L [] []

Series

3	SY3000
5	SY5000

Type of actuation

1	2 position single
2	2 position double
3	3 position closed center
4	3 position exhaust center
5	3 position pressure center

Coil specifications

Nil	Standard
T	With power saving circuit (24, 12 VDC only)

* Power saving circuit is not available in the case of "D", "DO" or "W□" type.

Rated voltage

DC

5	24 VDC
6	12 VDC
V	6 VDC
S	5 VDC
R	3 VDC

AC (Hz) 50/60

1	100 VAC
2	200 VAC
3	110 VAC [115 VAC]
4	220 VAC [230 VAC]

* DC specifications of type "D" and "DO" is only available with 12 and 24 VDC.
 * For type "W□", DC voltage is only available.
 * "D" and "DO" only available for SY5000.

Manual override

Nil	Non-locking push type
D	Push-turn locking slotted type
E	Push-turn locking lever type

Light/Surge voltage suppressor

Electrical entry for G, H, L, M, W

Nil	Without light/surge voltage suppressor
S	With surge voltage suppressor
Z	With light/surge voltage suppressor
R	With surge voltage suppressor (Non-polar type)
U	With light/surge voltage suppressor (Non-polar type)

* For AC voltage valves there is no "S" option. It is already built-in to the rectifier circuit.
 * For "R" and "U", DC voltage is only available.
 * Power saving circuit is only available in the "Z" type.

Electrical entry for D

Nil	Without light/surge voltage suppressor
S	With surge voltage suppressor (Non-polar type)
Z	With light/surge voltage suppressor (Non-polar type)

* "DOZ" is not available.
 * For AC voltage valves there is no "S" option. It is already built-in to the rectifier circuit.

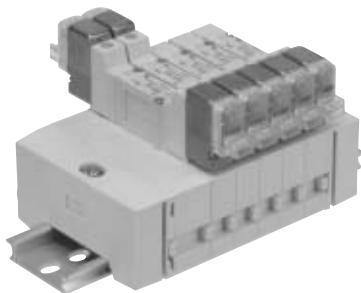
Electrical entry

24, 12, 6, 5, 3 VDC/100, 110, 200, 220 VAC			24, 12 VDC/ 100, 110, 200, 220 VAC	24, 12, 6, 5, 3 VDC
Grommet	L plug connector	M plug connector	DIN terminal	M8 connector
G: Lead wire length 300 mm	L: With lead wire (Length 300 mm) LN: Without lead wire	M: With lead wire (Length 300 mm) MN: Without lead wire	(SY5000) D: With connector DO: Without connector	WO: Without connector cable
H: Lead wire length 600 mm	LO: Without connector	MO: Without connector		

* "LN", "MN" type: with 2 sockets.
 * D and DO only available for SY5000.
 * DIN terminal type "Y" conforming to DIN43650C standard is also available. For details, refer to page 1-4-201.
 * For connector cable of M8 connector, refer to page 1-4-209.

SV
SZ
SY
SYJ
SX

Base Mounted
 Series **SY3000/5000** Type **45**



Manifold Specifications

Model	SS5Y3-45		SS5Y5-45	
Applicable valve	SY3□40		SY5□40	
Manifold type	Stacking type/DIN rail mounted			
P (SUP)/R (EXH)	Common SUP, Common EXH			
Valve stations	2 to 20 stations ^{Note 1)}			
A, B port	Location		Base	
Porting specifications	Direction		Side	
Port size	P, R port		C8 (One-touch fitting for ø8)	C10 (One-touch fitting for ø10)
	A, B port		C4 (One-touch fitting for ø4) C6 (One-touch fitting for ø6)	C4 (One-touch fitting for ø4) C6 (One-touch fitting for ø6) C8 (One-touch fitting for ø8)
Manifold base weight W (g), n: Stations	2 to 10 stations: W = 22n + 118 11 to 20 stations: W = 22n + 140		2 to 10 stations: W = 47n + 156 11 to 20 stations: W = 47n + 190	



Note 1) For more than 11 stations, supply pressure to P port on both sides and exhaust from R port on both sides.

Flow Characteristics

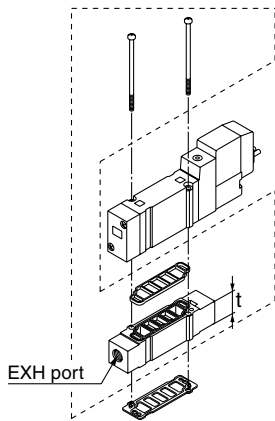
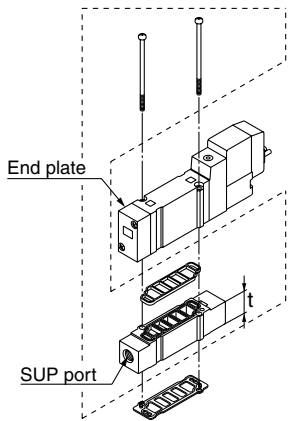
Model	Port size		Flow characteristics					
	1, 5, 3 (P, EA, EB)	4, 2 (A, B)	1 → 4/2 (P → A/B)			4/2 → 5/3 (A/B → EA/EB)		
			C (dm ³ /s.bar)	b	Cv	C (dm ³ /s.bar)	b	Cv
SS5Y3-45	C8	C6	0.88	0.21	0.22	0.95	0.18	0.22
SS5Y5-45	C10	C8	2.2	0.24	0.53	2.5	0.18	0.58



Note) The value is for manifold base with 5 stations and individually operated 2 position type.

Manifold Option

- Individual SUP spacer assembly
- Individual EXH spacer assembly



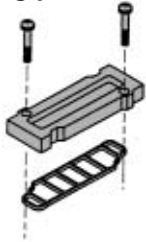
Series	Assembly part no.	Port size	t
SY3000	SY3000-38-2A	M5 x 0.8	11
SY5000	SY5000-38-16*A	1/8	15

Note) The SUP port may be either on the lead wire side or on the end plate side.

Series	Assembly part no.	Port size	t
SY3000	SY3000-39-2A	M5 x 0.8	11
SY5000	SY5000-39-16*A	1/8	15

Note) The EXH port may be either on the lead wire side or on the end plate side.

- Blanking plate assembly



Series	Assembly part no.
SY3000	SX3000-75-1A
SY5000	SX5000-76-1A

* Thread type

Nil	Rc
F	G
N	NPT
T	NPTF

Caution

Mounting screw tightening torques

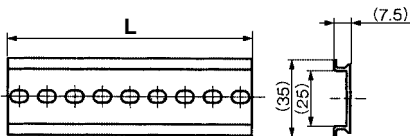
- M2: 0.16 N·m
- M3: 0.8 N·m
- M4: 1.4 N·m

- Dimensions/DIN rail

VZ1000-11-1-□

- Refer to L dimensions

* Fill in □ with an appropriate no. listed on the table of DIN rail dimensions shown below.



No.	0	1	2	3	4	5	6	7	8	9	10
L Dimension	98	110.5	123	135.5	148	160.5	173	185.5	198	210.5	223
No.	11	12	13	14	15	16	17	18	19	20	21
L Dimension	235.5	248	260.5	273	285.5	298	310.5	323	335.5	348	360.5
No.	22	23	24	25	26	27	28	29	30	31	32
L Dimension	373	385.5	398	410.5	423	435.5	448	460.5	473	485.5	498
No.	33	34	35	36	37	38	39	40	41	42	43
L Dimension	510.5	523	535.5	548	560.5	573	585.5	598	610.5	623	635.5
No.	44	45	46	47	48	49	50	51	52	53	54
L Dimension	648	660.5	673	685.5	698	710.5	723	735.5	748	760.5	773
No.	55	56	57	58	59	60	61	62	63	64	65
L Dimension	785.5	798	810.5	823	835.5	848	860.5	873	885.5	898	910.5
No.	66	67	68	69	70	71					
L Dimension	923	935.5	948	960.5	973	985.5					

* Refer to L1 dimension on pages starting with page 1-4-126 for lengths that correspond to the number of manifold stations.

- SUP block disk

By installing a SUP block disk in the pressure supply passage of a manifold valve, it is possible to supply two or more different high and low pressures to one manifold.



Series	Part no.
SY3000	SX3000-77-1A
SY5000	SX5000-77-1A

- SUP block disk

By installing an EXH block disk in the exhaust passage of a manifold valve, it is possible to divide the valve's exhaust so that it does not affect another valve. (Two block disks are needed to divide both exhausts.)



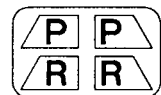
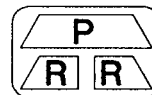
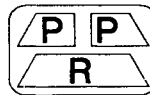
Series	Part no.
SY3000	SX3000-77-1A
SY5000	SX5000-77-1A

- L Label for block disk

The labels shown below are used on manifold stations containing SUP/EXH block disk(s) to show their location. (3 pcs. each)

VZ3000-123-1A

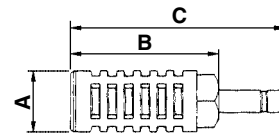
Label for SUP block disk Label for EXH block disk Label for SUP/EXH block disk



Note) When a block disk is concurrently ordered by specifying on the manifold specification sheet, etc., a label will be stuck on the position where block disk is mounted.

- Silencer with One-touch fitting

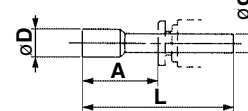
The silencer plugs directly into the One-touch fittings of the manifold.



Series	Model	Effective area	A	B	C
For SY3000 (ø8)	AN203-KM8	14 mm ²	ø16	26	51
For SY5000 (ø10)	AN200-KM10	26 mm ²	ø22	53.8	80.8
	AN300-KM10	30 mm ²	ø25	70	97

- L Plug (white)

These are inserted in unused cylinder ports and SUP, EXH ports. Purchasing order is available in units of 10 pieces.



Dimensions

Applicable fittings size ød	Model	A	L	D
4	KQ2P-04	16	32	6
6	KQ2P-06	18	35	8
8	KQ2P-08	20.5	39	10
10	KQ2P-10	22	43	12
1/8"	KQ2P-01	16	31.5	5
5/32"	KQ2P-03	16	32	6
1/4"	KQ2P-07	18	35	8.5
5/16"	KQ2P-09	20.5	39	10

Manifold Option

How to Order Interface Regulator (SY3000/5000 only)

Series SY3000

ARBY3000-05-P-2

Regulating port

P	P port
A1	A port (P controlled type, A port regulation)
B1	B port (P controlled type, B port regulation)

Pressure gauge connection port

05	Pressure gauge (G15-10-01) [for odd number station]
06	Pressure gauge (G15-10-01) [for even number station]
M1	Plug (M-5P)

* In the case of Series ARBY3000 with a pressure gauge when mounting on the manifold, use caution that the part numbers are different between the odd no. stations and the even no.

Series SY5000

ARBY5000-00-P-2

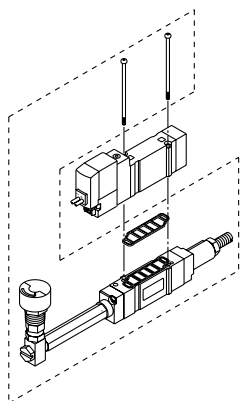
Regulating port

P	P port
A1	A port (P controlled type, A port regulation)
B1	B port (P controlled type, B port regulation)

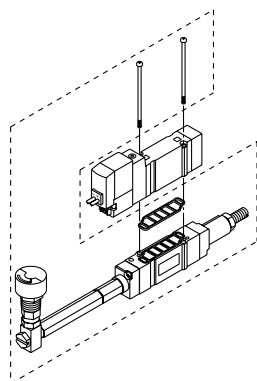
Pressure gauge connection port

00	Pressure gauge (G15-10-01)
M1	Plug (M-5P)

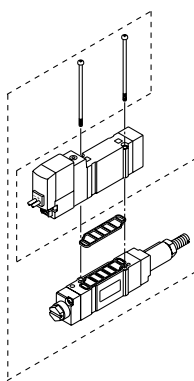
ARBY3000-05-□-2
(For mounting odd number stations)



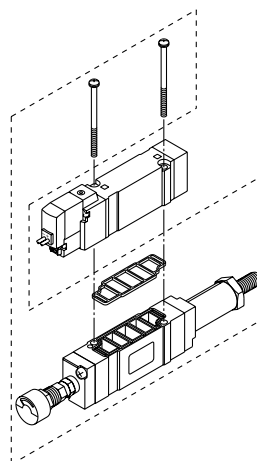
ARBY3000-06-□-2
(For mounting even number stations)



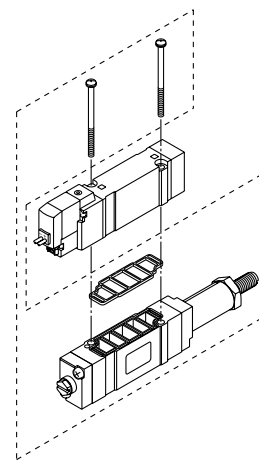
ARBY3000-M1-□-2



ARBY5000-00-□-2



ARBY5000-M1-□-2



Accessory

Series	Round head combination screw	Gasket
ARBY3000	SY3000-23-10 (M2336)	SX3000-57-4
ARBY5000	M3 x 48.5, Matt nickel plated	SX5000-57-6

Caution

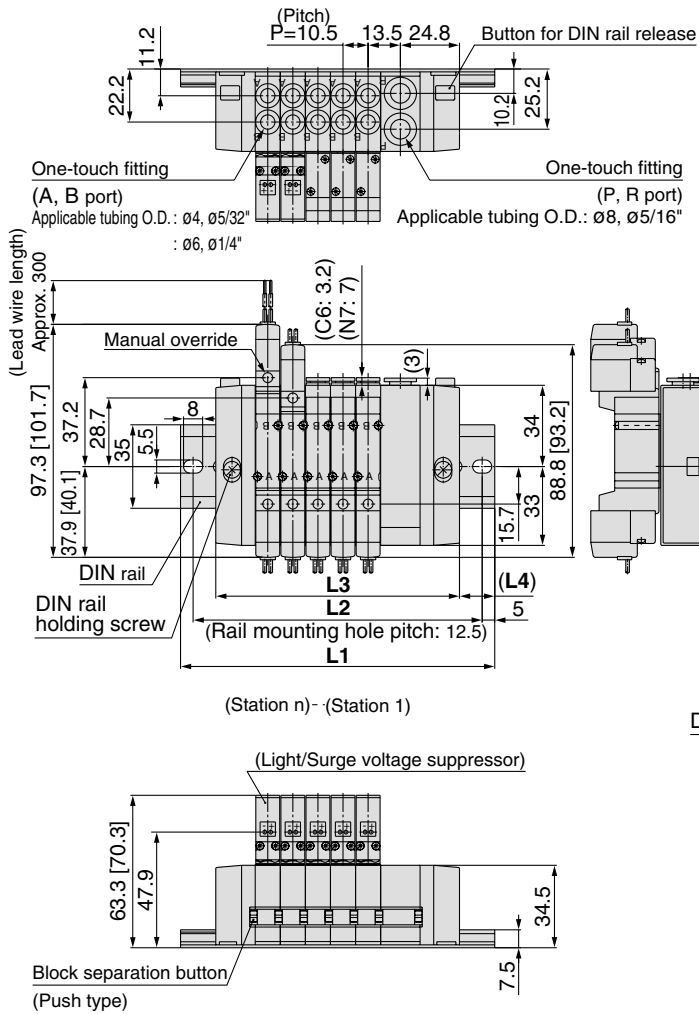
Mounting screw tightening torques

M2: 0.17 N·m
M3: 0.8 N·m

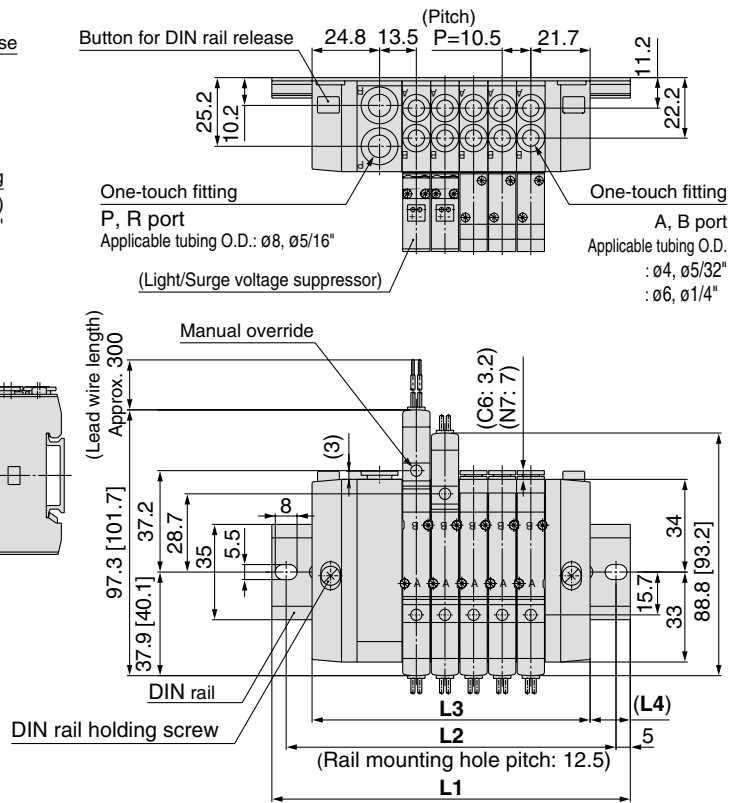


Dimensions: Series SY3000

**SS5Y3-45- Stations D-C4, N3
C6, N7**

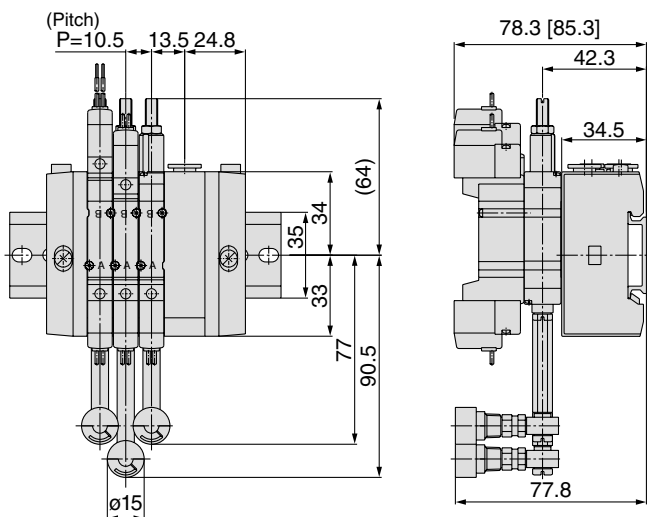


**SS5Y3-45- Stations U-C4, N3
C6, N7**



Stations n	2 stations	3	4	5	6	7	8	9	10 stations
L1	98	110.5	123	135.5	148	148	160.5	173	185.5
L2	87.5	100	112.5	125	137.5	137.5	150	162.5	175
L3	70.5	81	91.5	102	112.5	123	133.5	144	154.5
L4	13.5	14.5	15.5	16.5	17.5	12.5	13.5	14.5	15.5

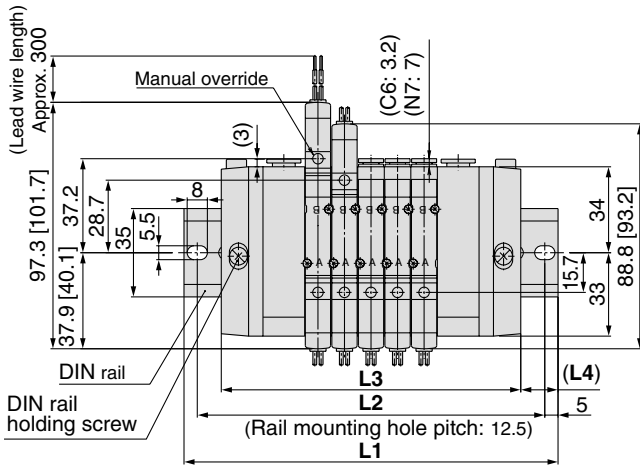
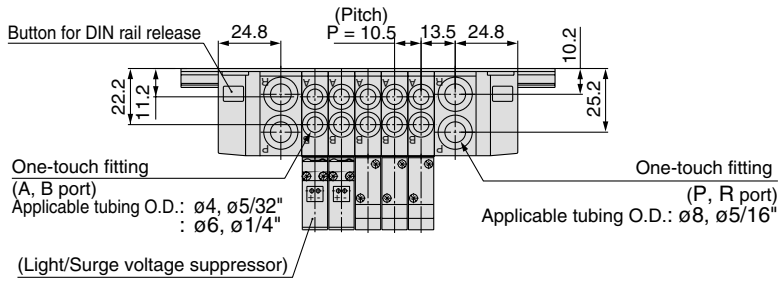
With interface regulator (with gauge)





Dimensions: Series SY3000

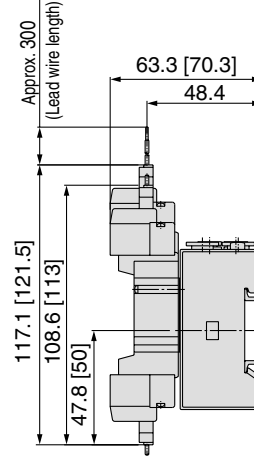
SS5Y3-45- Stations B- C4, N3
C6, N7



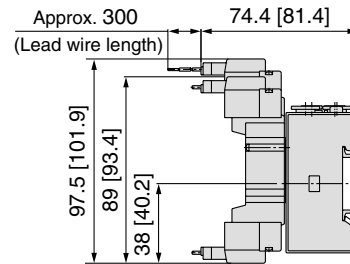
Stations n	2 stations	3	4	5	6	7	8	9	10 stations
L1	110.5	123	135.5	148	160.5	173	185.5	185.5	198
L2	100	112.5	125	137.5	150	162.5	175	175	187.5
L3	87	97.5	108	118.5	129	139.5	150	160.5	171
L4	11.5	12.5	13.5	14.5	15.5	16.5	17.5	12.5	13.5

Stations n	11 stations	12	13	14	15	16	17	18	19	20 stations
L1	210.5	223	235.5	248	248	260.5	273	285.5	298	310.5
L2	200	212.5	225	237.5	237.5	250	262.5	275	287.5	300
L3	181.5	192	202.5	213	223.5	234	244.5	255	265.5	276
L4	14.5	15.5	16.5	17.5	12	13	14	15	16	17

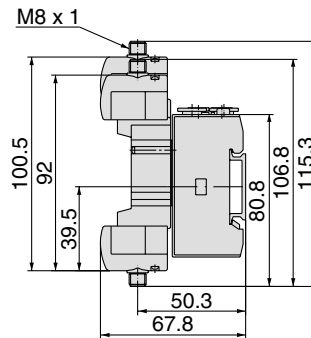
L plug connector



M plug connector



M8 connector (WO)



Note) Refer to page 1-4-210 for dimensions of connector types.

- SV
- SZ
- SY
- SYJ
- SX

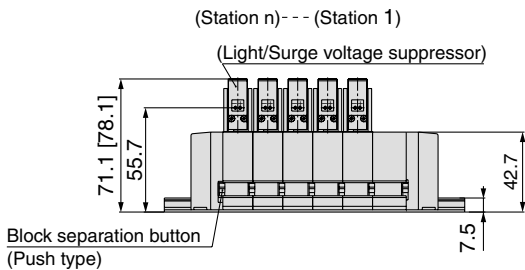
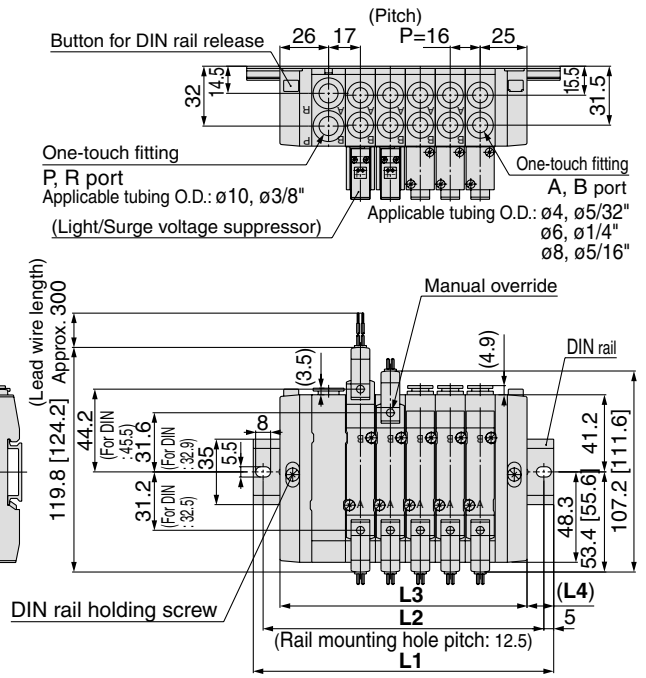
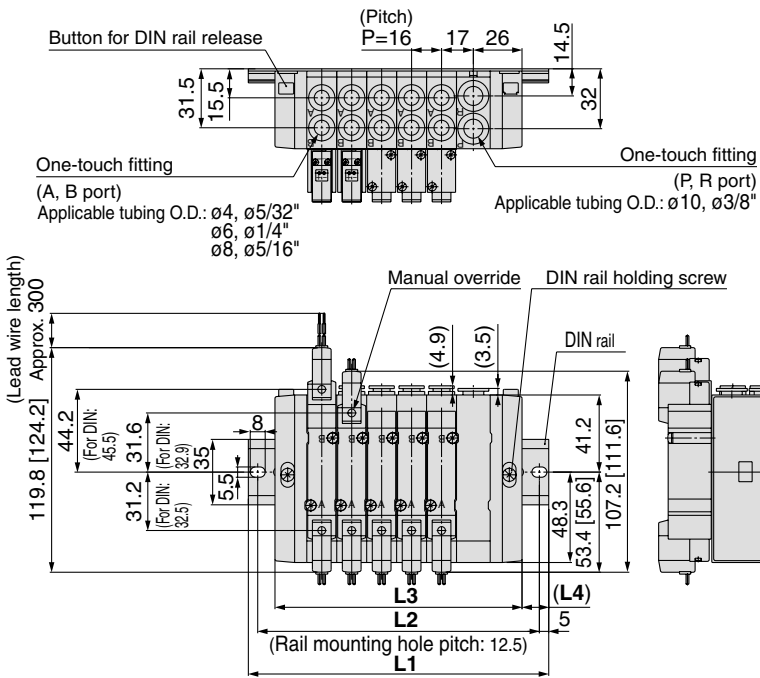
Base Mounted
Series SY3000/5000 Type 45

Dimensions: Series SY5000



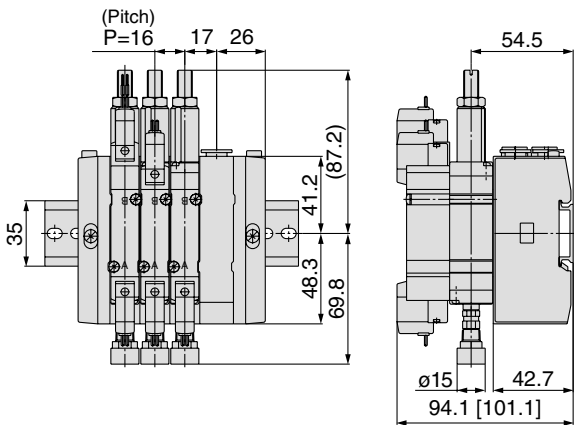
SS5Y5-45- Stations D- C4, N3
C6, N7
C8, N9

SS5Y5-45- Stations U- C4, N3
C6, N7
C8, N9



Stations n	2 stations	3	4	5	6	7	8	9	10 stations
L1	110.5	135.5	148	160.5	173	198	210.5	223	235.5
L2	100	125	137.5	150	162.5	187.5	200	212.5	225
L3	84	100	116	132	148	164	180	196	212
L4	13	17.5	16	14	12.5	17	15	13.5	11.5

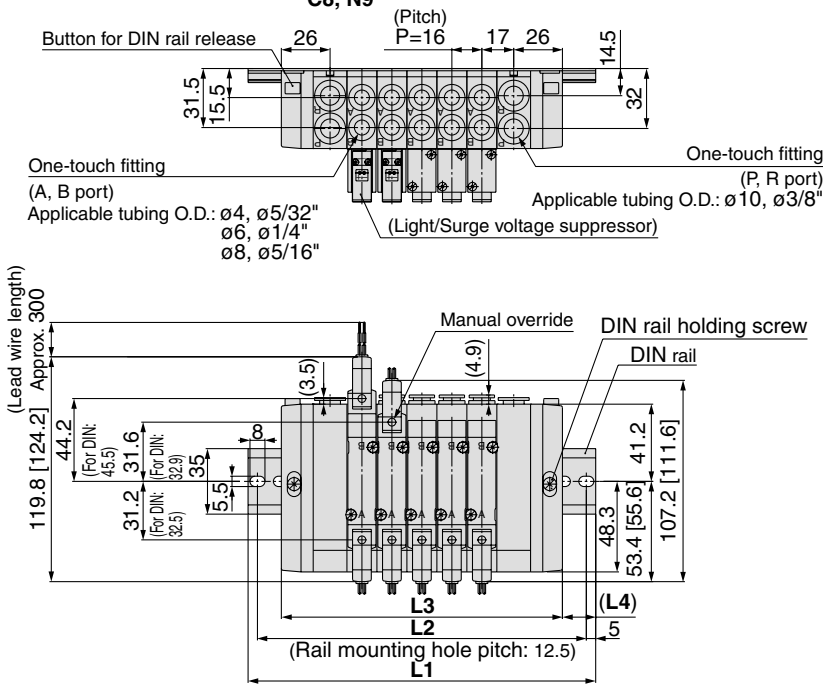
With interface regulator (with gauge)





Dimensions: Series SY5000

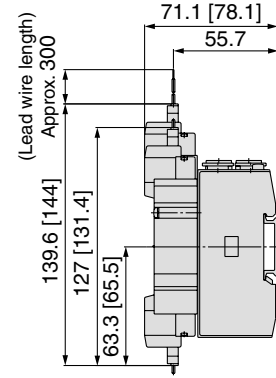
**SS5Y3-45- Stations B-C4, N3
C6, N7
C8, N9**



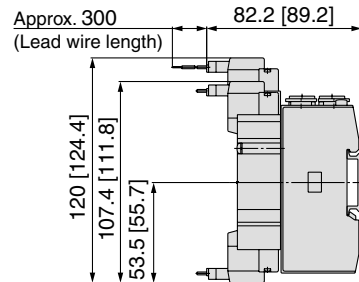
Stations n	2 stations	3	4	5	6	7	8	9	10 stations
L1	135.5	148	160.5	185.5	198	210.5	223	248	260.5
L2	125	137.5	150	175	187.5	200	212.5	237.5	250
L3	102	118	134	150	166	182	198	214	230
L4	16.5	15	13	17.5	16	14	12.5	17	15

Stations n	11 stations	12	13	14	15	16	17	18	19	20 stations
L1	273	285.5	310.5	323	335.5	360.5	373	385.5	398	423
L2	262.5	275	300	312.5	325	350	362.5	375	387.5	412.5
L3	246	262	278	294	310	326	342	358	374	390
L4	13.5	11.5	16	14.5	12.5	17	15.5	13.5	12	16.5

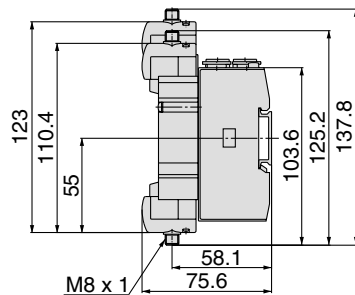
L plug connector



M plug connector

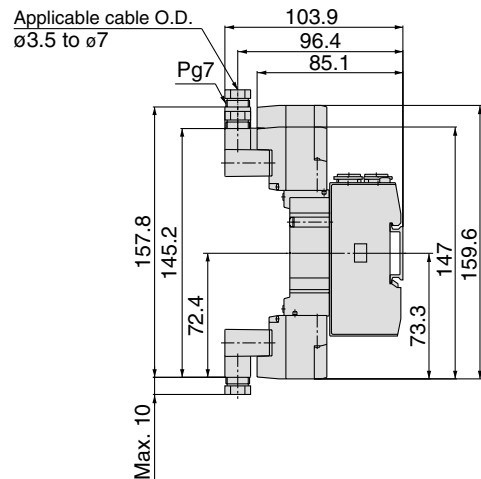


M8 connector (WO)



Note) Refer to page 1-4-210 for dimensions of connector types.

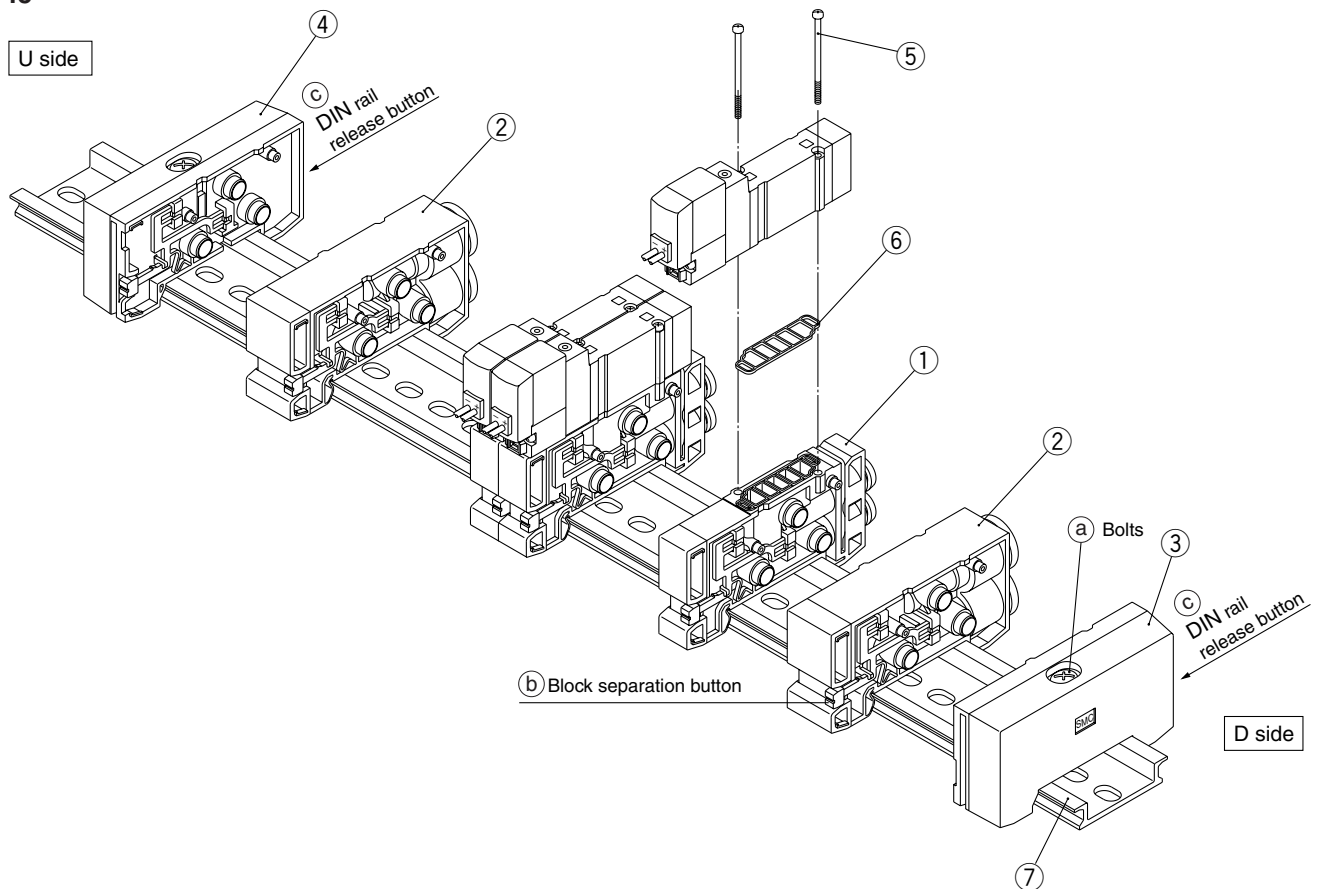
DIN terminal (D)



- SV
- SZ
- SY**
- SYJ
- SX

DIN Rail Manifold Exploded View

Type 45



Replacement Parts

No.	Description	Part no.		Note
		SY3000	SY5000	
①	Manifold block assembly	SX3000-50-1A-□□	SX5000-50-1A-□□	□□: SY3000 (Metric size) C4: With One-touch fitting for ø4 (Inch size) N3: With One-touch fitting for ø 5/32" SY5000 (Metric size) C4: With One-touch fitting for ø4 (Inch size) N3: With One-touch fitting for ø 5/32" C6: With One-touch fitting for ø6 N7: With One-touch fitting for ø 1/4" C6: With One-touch fitting for ø6 N7: With One-touch fitting for ø 1/4" C8: With One-touch fitting for ø8 N9: With One-touch fitting for ø 5/16" (Gasket 6 is supplied as an accessory.)
②	SUP/EXH block assembly	(Metric size) SX3000-51-1A (Inch size) SX3000-51-15A	(Metric size) SX3000-51-1A (Inch size) SX5000-51-15A	P, R port SY3000 (Metric size) With One-touch fitting for ø8 (Inch size) With One-touch fitting for ø5/16" P, R port SY5000 (Metric size) With One-touch fitting for ø10 (Inch size) With One-touch fitting for ø3/8"
③	End block assembly R	SX3000-52-1A	SX5000-52-1A	For D side
④	End block assembly R	SX3000-53-1A	SX5000-53-1A	For U side
⑤	Round head combination screw	SY3000-23-4	M3 x 26 (Matt nickel plated)	
⑥	Gasket	SX3000-57-4	SX5000-57-6	
⑦	DIN rail	VZ1000-11-1-□		Refer to page 1-4-123.

DIN Rail Manifold Exploded View

How to Increase Manifold Base Station expansion is possible at any position.

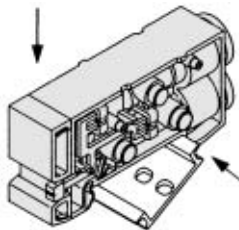
- 1 Loosen bolt (a) fixing the manifold base until it begins to turn idly. (While pressing DIN rail releasing buttons (c), at two locations, separate the manifold base from the DIN rail.)
- 2 Press manifold block assembly dividing button (b), that are at the location where manifold bases are to be added, until button (b) locks, and then separate the block assemblies.
- 3 Mount additional manifold block assembly on the DIN rail as shown in the Fig. (1).
- 4 Press the block assemblies until a click sound is produced, and tighten the bolts (a) to fix them to the DIN rail.
⚠ Caution (Tightening torque: 1.4 N·m)
 (While lightly holding the blocks after fixing an end block on one side, tighten the other end block for for better sealing.)

⚠ Caution

Note 1) When there are 10 or fewer manifold block assemblies, and more are added to make a total of 11 or more, a supply/exhaust block assembly must also be added.

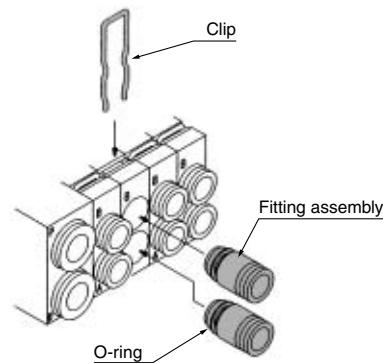
Note 2) When disassembly and assembly are performed, air leakage may result if connections between blocks and tightening of the end block's holding screw, is inadequate. Before supplying air, confirm that there are no gaps, etc. between blocks, and that manifold blocks are securely fastened to the DIN rail. Then supply air and confirm that there is no air leakage before operating.

Fig. (1) Block mounting procedure



Hook the DIN rail here and press down in the direction of the arrow until a click sound is heard.

How to Change Fitting Assembly



Type 45 manifold permits change in the A and B port sizes by changing the manifold block fitting assembly. After removing the valve, remove the clip with a screwdriver, etc. For mounting a new fitting assembly, insert it and then insert a clip until it will not come out of the manifold block.

Fitting Assembly Part No.

Metric size

SY3000	One-touch fitting for $\phi 4$	VVQ1000-50A-C4
	One-touch fitting for $\phi 6$	VVQ1000-50A-C6
SY5000	One-touch fitting for $\phi 4$	VVQ1000-51A-C4
	One-touch fitting for $\phi 6$	VVQ1000-51A-C6
	One-touch fitting for $\phi 8$	VVQ1000-51A-C8

Inch size

SY3000	One-touch fitting for $\phi 5/32''$	VVQ1000-50A-N3
	One-touch fitting for $\phi 1/4''$	VVQ1000-50A-N7
SY5000	One-touch fitting for $\phi 5/32''$	VVQ1000-51A-N3
	One-touch fitting for $\phi 1/4''$	VVQ1000-51A-N7
	One-touch fitting for $\phi 5/16''$	VVQ1000-51A-N9



Note 1) P and R ports cannot be changed.

Note 2) Use caution that O-rings must be free from scratches and dust. Otherwise, air leakage may result.

SV

SZ

SY

SYJ

SX

Series SY3000/5000 Base Mounted Manifold Stacking Type/DIN Rail Mounted Connector Box

Type **45-A** NA

How to Order Manifold

SS5Y **3** - 45 - **A** **U** - 05 **D** - **C6** □

Series

3	SY3000
5	SY5000

Specifications

Symbol	Specifications
A	With connector box (+COM spec.)
NA	With connector box (-COM spec.)

The style of attached lead wire assembly is different.

Connector box mounting position

Symbol	Mounting position
U	U side
D	D side

Valve stations

Symbol	Stations	Note
02	2 stations	Applicable up to 16 solenoid valves.
:	:	
16	16 stations	

SUP/EXH block assembly mounting position

Symbol	Mounting position	Applicable stations
U	U side	2 to 10 stations
D	D side	
B	Both sides	2 to 16 stations
M*	Special specifications	

* For special specifications, indicate separately on the manifold specification sheet.

A/B port size

One-touch fitting (Metric size)

Symbol	Port size	Applicable series
C4	One-touch fitting for ø4	SY3000
C6	One-touch fitting for ø6	
M	Mixed	SY5000
C4	One-touch fitting for ø4	
C6	One-touch fitting for ø6	
C8	One-touch fitting for ø8	
M	Mixed	

One-touch fitting (Inch size)

Symbol	Port size	Applicable series
N3	One-touch fitting for ø ⁵ / ₃₂ "	SY3000
N7	One-touch fitting for ø ¹ / ₄ "	
M	Mixed	SY5000
N3	One-touch fitting for ø ⁵ / ₃₂ "	
N7	One-touch fitting for ø ¹ / ₄ "	
N9	One-touch fitting for ø ⁹ / ₃₂ "	
M	Mixed	

* In the case of mixed specifications, indicate separately on the manifold specification sheet.

Option

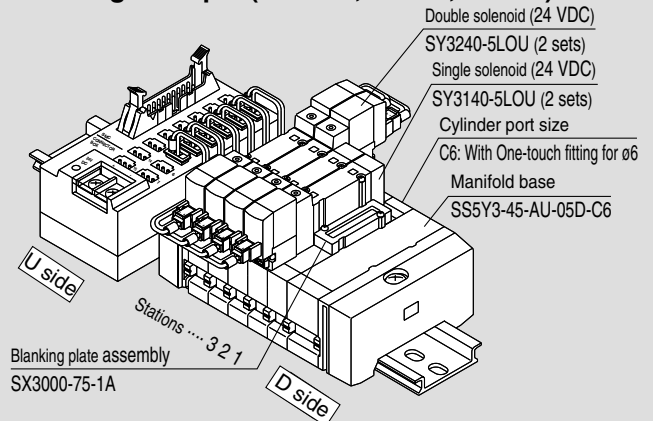
When a longer DIN rail is desired than the specified stations, specify the station number to be required. (Max. 20 stations)



For external pilot specifications and built-in silencer, refer to page 1-4-194.

How to Order Valve Manifold Assembly

Ordering example (SY3000, +COM, U side)



SS5Y3-45-AU-05D-C6	1 set (Type 45, 5 stations manifold base part no.)
* SX3000-75-1A	1 set (Blanking plate assembly part no.)
* SY3140-5LOU	2 sets (Single solenoid part no.)
* SY3240-5LOU	2 sets (Double solenoid part no.)

→ The asterisk denotes the symbol for assembly. Prefix it to the part nos. of the solenoid valve, etc.

The valve arrangement is numbered as the 1st. station from D side regardless of the mounting position of connector box. In ordering, specify the part nos. in the order from the 1st. station on D side. Besides, when the arrangement will be complicated, fill out the manifold specification sheet to instruct us.

SS5Y³-45-A^U-□□-□□ is assembled with solenoid valve and lead wire assembly when shipping. When ordering manifold only (without valves/wires/options), refer to how to order on page 1-4-120 and list the connector box (VZ3000-106-1A) and the rail stopper (TXE1-SMC) below the manifold to allow for the connector box mounting at U side. (Be sure to order DIN rail 3 station longer than number of the manifold stations.) In this case, please note that dimensions, L1 and L2 on pages 1-4-136 and 1-4-137 may vary slightly.) For other components, refer to page 1-4-138.

How to Order Valves

SY **5** **2** 40 - **5** LOU □

Series

3	SY3000
5	SY5000

Manual override

Nil	Non-locking push type
D	Push-turn locking slotted type
E	Push-turn locking lever type

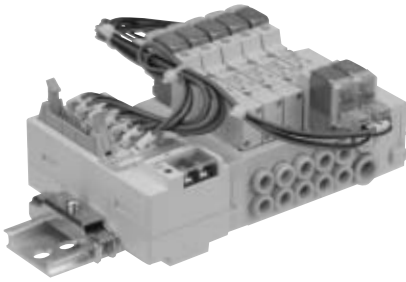
Type of actuation

1	2 position single
2	2 position double
3	3 position closed center
4	3 position exhaust center
5	3 position pressure center

Rated voltage

5	24 VDC
----------	--------

Manifold Specifications



Model	SS5Y3-45-A _{NA}		SS5Y5-45-A _{NA}	
Applicable valve	SY3□40		SY5□40	
Manifold type	Stacking type/DIN rail mounted			
P (SUP)/R (EXH)	Common SUP, Common EXH			
Valve stations	2 to 16 stations <small>Note 1, 2)</small>			
A, B port Porting specifications	Location	Base		
	Direction	Side		
Port size	P, R port	C8 (One-touch fitting for ø8)	C10 (One-touch fitting for ø10)	
	A, B port	C4 (One-touch fitting for ø4) C6 (One-touch fitting for ø6)	C4 (One-touch fitting for ø4) C6 (One-touch fitting for ø6) C8 (One-touch fitting for ø8)	
Manifold base weight W (g) n: Stations	2 to 10 stations: W = 26n + 207 11 to 20 stations: W = 26n + 229		2 to 10 stations: W = 52n + 245 11 to 16 stations: W = 52n + 279	
Applicable flat ribbon cable connector	Flat ribbon cable connector Socket: 20 pins MIL type with strain relief conforming to MIL-C-83503			
Wiring specifications	+COM specifications (Type 45-A), -COM specifications (Type 45-NA)			

Note 1) For more than 11 stations, supply pressure to P port on both sides and exhaust from R port on both sides.
Note 2) There is a limit depending on the number of solenoids. Refer to "How to Order".

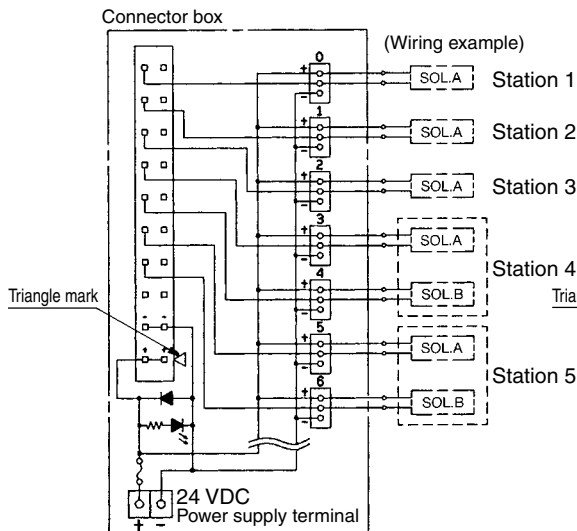
Flow Characteristics

Model	Port size		Flow characteristics					
	1, 5, 3 (P, EA, EB)	4, 2 (A, B)	1 → 4/2 (P → A/B)			4/2 → 5/3 (A/B → EA/EB)		
			C (dm ³ /(s·bar))	b	Cv	C (dm ³ /(s·bar))	b	Cv
SS5Y3-45-□	C8	C6	0.88	0.21	0.22	0.95	0.18	0.22
SS5Y5-45-□	C10	C8	2.2	0.24	0.53	2.5	0.18	0.58

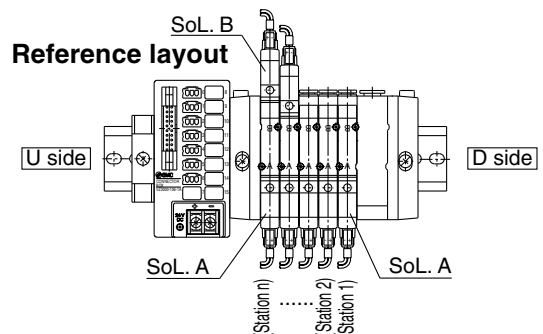
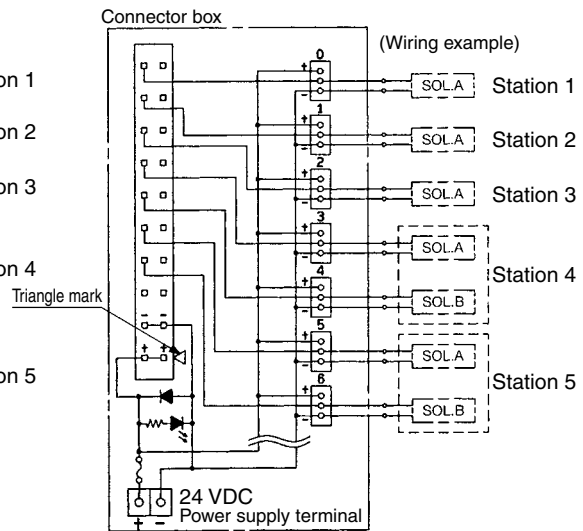
Note) The value is for manifold base with 5 stations and individually operated 2 position type.

Manifold Wiring Diagram (Circuit diagram for the reference layout)

+COM electric circuit diagram



-COM electric circuit diagram

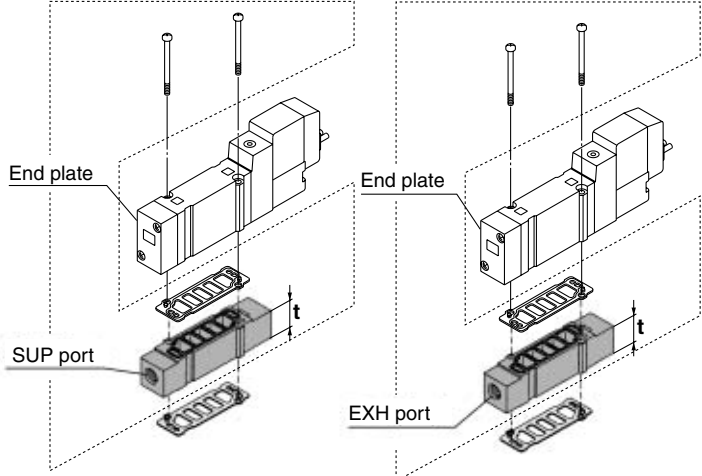


- Connector box for +COM allows transmission until G71-OD16, manufactured by OMRON Corp., to be connected directly for serial transmission. Additionally, it can also be used for the PC wiring system.
- When an external power source must be supplied to the manifold, correct polarity must be observed, otherwise damage to PLC is possible.
- The wiring of solenoid valves, corresponds with the labeled connector box 0 to 15 from D side.
- If valves other than non-polar type are used, this may cause malfunction.

SV
SZ
SY
SYJ
SX

Manifold Option

■ Individual SUP spacer assembly ■ Individual EXH spacer assembly



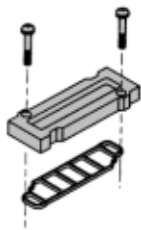
Series	Assembly part no.	Port size	t
SY3000	SY3000-38-2A	M5 x 0.8	11
SY5000	SY5000-38-16*A	1/8"	15

Note) The SUP port may be either on the lead wire side or on the end plate side. (An assembly is shipped under the condition shown in the figure.)

Series	Assembly part no.	Port size	t
SY3000	SY3000-39-2A	M5 x 0.8	11
SY5000	SY5000-39-16*A	1/8"	15

Note) The EXH port may be either on the lead wire side or on the end plate side. (An assembly is shipped under the condition shown in the figure.)

■ Blanking plate assembly



Series	Assembly part no.
SY3000	SX3000-75-1A
SY5000	SX5000-76-1A

* Thread type

Nil	Rc
F	G
N	NPT
T	NPTF

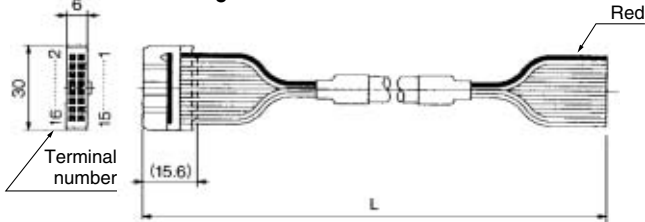
Caution

Mounting screw tightening torques

- M2: 0.16 N·m
- M3: 0.8 N·m
- M4: 1.4 N·m

■ Cable assembly

AXT100-FC20- $\frac{1}{3}$



Connector Assembly for Flat Ribbon Cable

Cable length (L)	Assembly part no.	Note
1.5 m	AXT100-FC20-1	Cable 20 core x 22 AWG
3 m	AXT100-FC20-2	
5 m	AXT100-FC20-3	

* For other commercial connectors, use a 20 pins with strain relief conforming to MIL-C-83503.

Connector manufacturers' example

- Sumitomo 3M Limited
- Fujitsu Limited
- Japan Aviation Electronics Industry, Ltd.
- J.S.T. Mfg. Co., Ltd.

Warning

When mounting a valve or spacer on the manifold base or sub-plate, etc., those mounting directions are determined. If mounted in the wrong direction, the equipment to be connected may cause malfunction. Refer to external dimensions, and then mount it.

■ SUP block disk

By installing a SUP block disk in the pressure supply passage of a manifold valve, it is possible to supply two or more different high and low pressures to one manifold.



Series	Part no.
SY3000	SX3000-77-1A
SY5000	SX5000-77-1A

■ EXH block disk

By installing an EXH block disk in the exhaust passage of a manifold valve, it is possible to divide the valve's exhaust so that it does not affect another valve. (Two block disks are needed to divide both exhausts.)



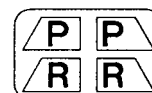
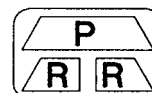
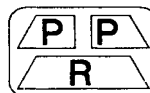
Series	Part no.
SY3000	SX3000-77-1A
SY5000	SX5000-77-1A

■ Label for block disk

The labels shown below are used on manifold stations containing SUP/EXH block disk(s) to show their location. (3 pcs. each)

VZ3000-123-1A

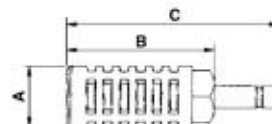
Label for SUP block disk Label for EXH block disk Label for SUP/EXH block disk



Note) When a block disk is concurrently ordered by specifying on the manifold specification sheet, etc., a label will be stuck on the position where block disk is mounted.

■ Silencer with One-touch fitting

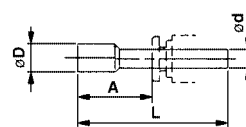
The silencer plugs directly into the One-touch fittings of the manifold.



Series	Model	Effective area	A	B	C
For SY3000 (ø8)	AN203-KM8	14 mm ²	ø16	26	51
For SY5000 (ø10)	AN200-KM10	26 mm ²	ø22	53.8	80.8
	AN300-KM10	30 mm ²	ø25	70	97

■ Plug (white)

These are inserted in unused cylinder ports and SUP, EXH ports. Purchasing order is available in units of 10 pieces.



Dimensions

Applicable fittings size ød	Model	A	L	D
4	KQ2P-04	16	32	6
6	KQ2P-06	18	35	8
8	KQ2P-08	20.5	39	10
10	KQ2P-10	22	43	12
1/8"	KQ2P-01	16	31.5	5
5/32"	KQ2P-03	16	32	6
1/4"	KQ2P-07	18	35	8.5
5/16"	KQ2P-09	20.5	39	10

Manifold Option

How to Order Interface regulator (SY3000, 5000 only)

Series SY3000

ARBY3000-05-P-2

Regulating port

P	P port
A1	A port (P controlled type, A port regulation)
B1	B port (P controlled type, B port regulation)

Pressure gauge connection port

05	Pressure gauge (G15-10-01) [for odd number station]
06	Pressure gauge (G15-10-01) [for even number station]
M1	Plug (M-5P)



* In the case of Series ARBY3000 with a pressure gauge when mounting on the manifold, use caution that the part numbers are different between the odd no. stations and the even no. stations to avoid gauges from interfering with each others.

Series SY5000

ARBY5000-00-P-2

Regulating port

P	P port
A1	A port (P controlled type, A port regulation)
B1	B port (P controlled type, B port regulation)

Pressure gauge connection port

00	Pressure gauge (G15-10-01)
M1	Plug (M-5P)

SV

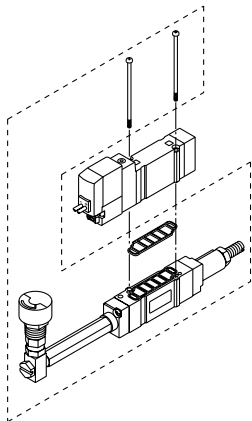
SZ

SY

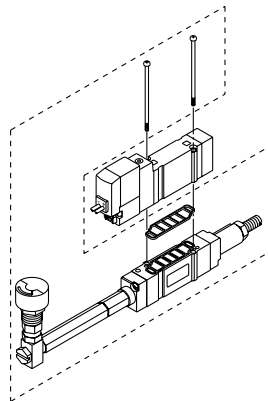
SYJ

SX

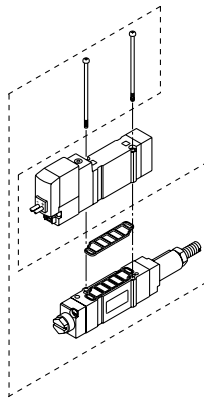
ARBY3000-05-□-2
(For odd number stations)



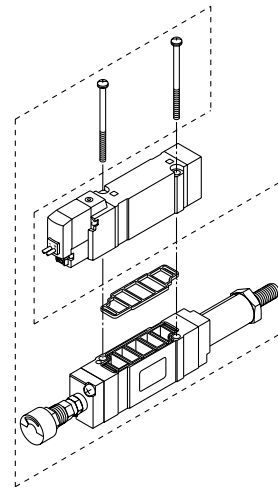
ARBY3000-06-□-2
(For even number stations)



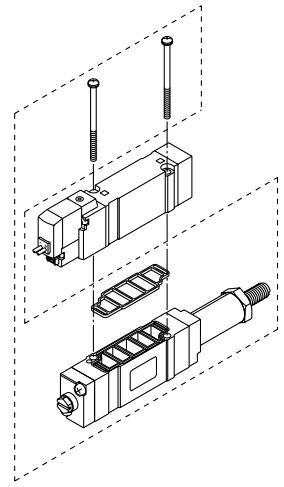
ARBY3000-M1-□-2



ARBY5000-00-□-2



ARBY5000-M1-□-2



Accessory

Series	Round head combination screw	Gasket
ARBY3000	SY3000-23-10 (M2 x 36)	SX3000-57-4
ARBY5000	M3 x 48.5, Matt nickel plated	SX5000-57-6

Caution

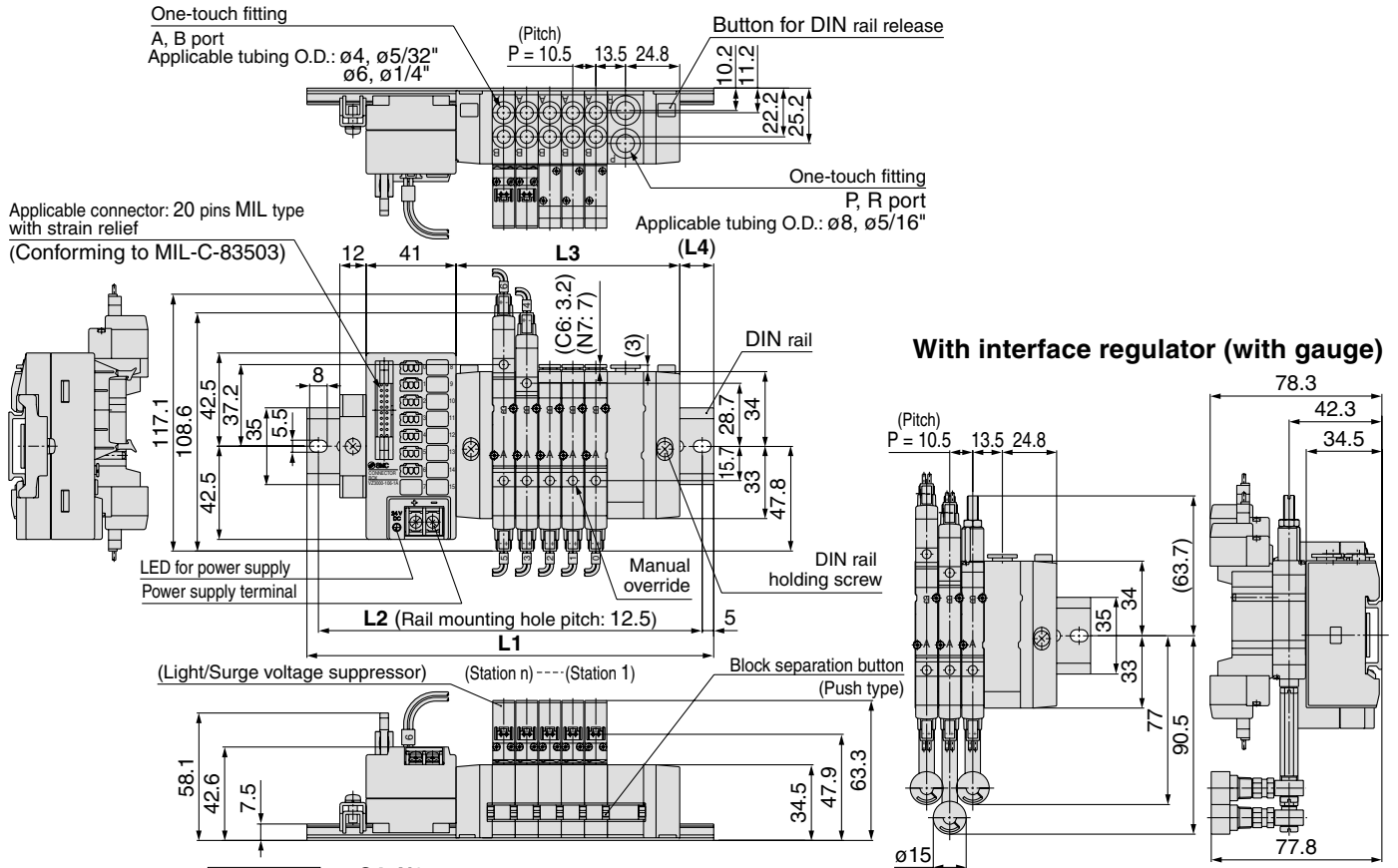
Mounting screw tightening torques

M2: 0.16 N·m

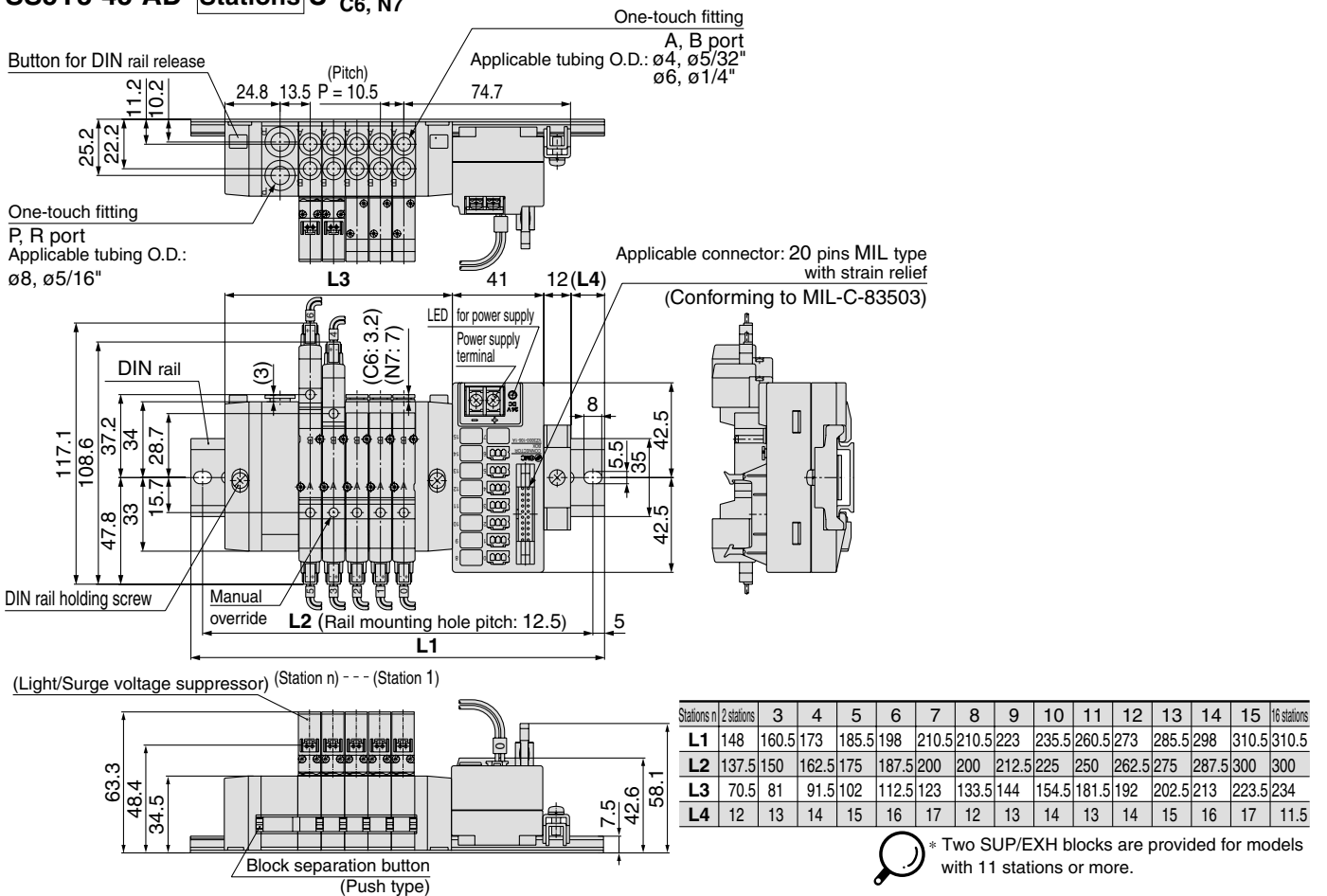
M3: 0.8 N·m

Dimensions: Series SY3000

**SS5Y3-45-AU - Stations D- C4, N3
C6, N7**



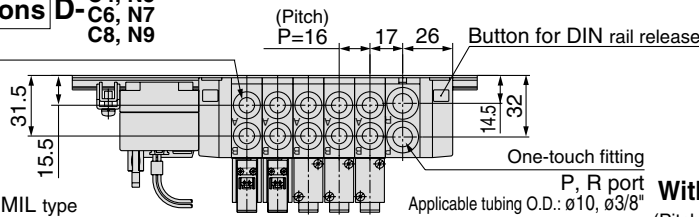
**SS5Y3-45-AD - Stations U- C4, N3
C6, N7**



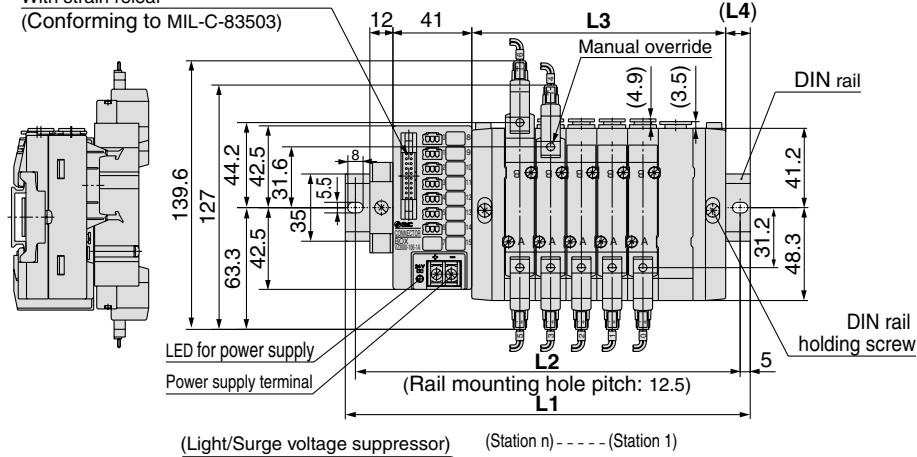
Dimensions: Series SY5000

**SS5Y5-45-AU- Stations D- C4, N3
C6, N7
C8, N9**

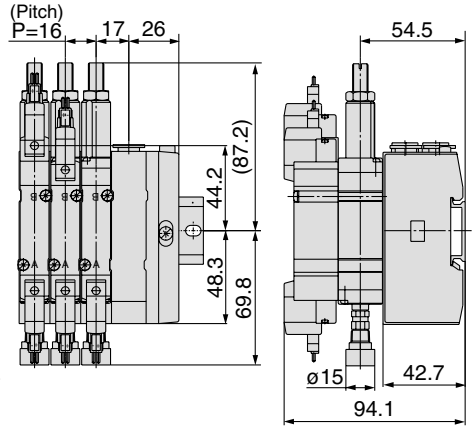
One-touch fitting (A, B port)
Applicable tubing O.D.: $\phi 4, \phi 5/32''$
 $\phi 6, \phi 1/4''$
 $\phi 8, \phi 5/16''$



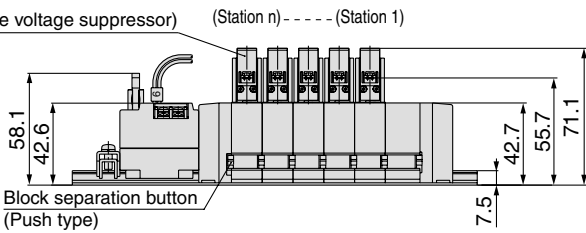
Applicable connector: 20 pins MIL type
With strain relief
(Conforming to MIL-C-83503)



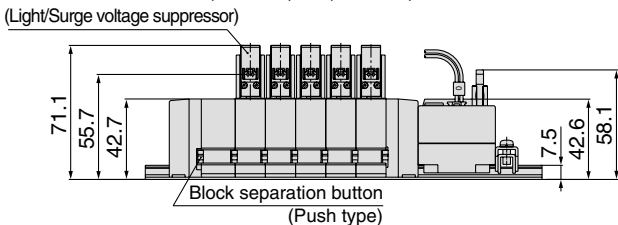
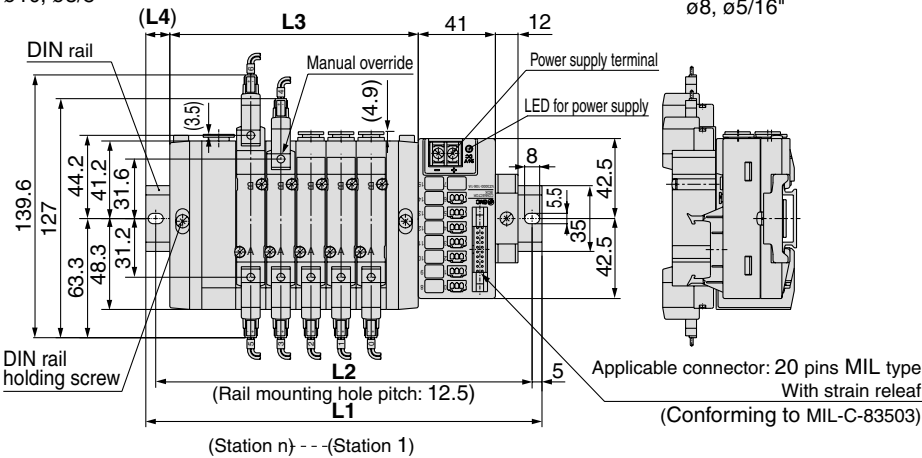
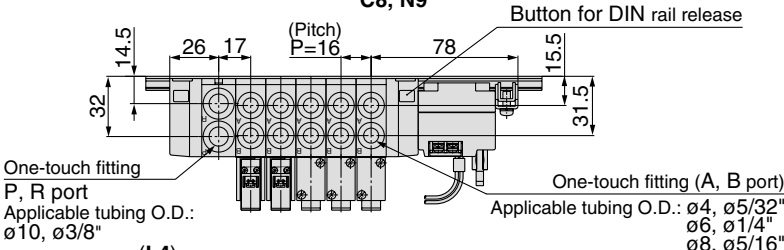
With interface regulator (with gauge)



- SV
- SZ
- SY**
- SYJ
- SX



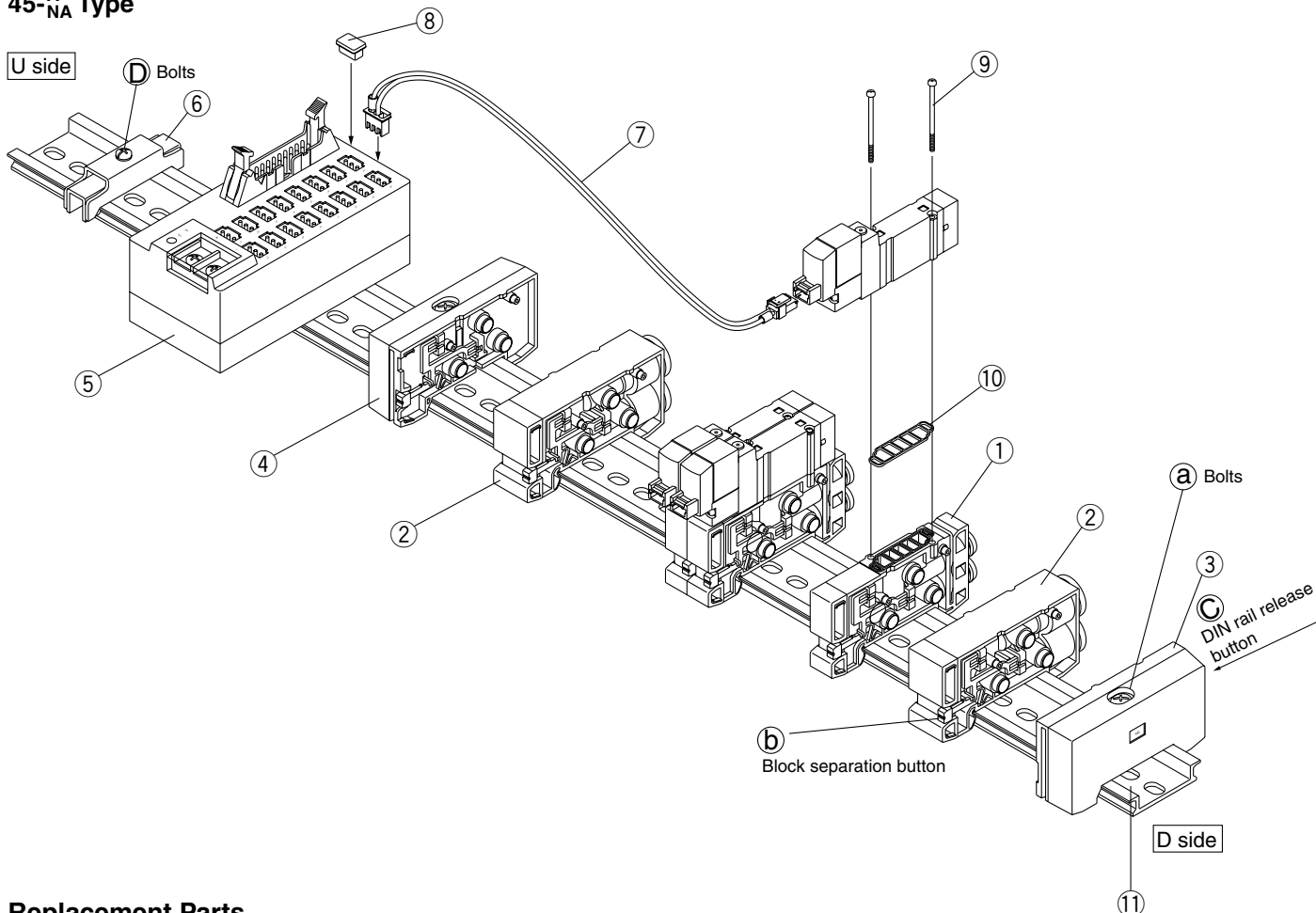
**SS5Y5-45-AD- Stations U- C4, N3
C6, N7
C8, N9**



Stations n	2 stations	3	4	5	6	7	8	9	10	11	12	13	14	15	16 stations
L1	160.5	185.5	198	210.5	235.5	248	260.5	273	298	323	348	360.5	373	398	410.5
L2	150	175	187.5	200	225	237.5	250	262.5	287.5	312.5	337.5	350	362.5	387.5	400
L3	84	100	116	132	148	164	180	196	212	246	262	278	294	310	326
L4	11.5	16	14.5	12.5	17	15.5	13.5	12	16.5	12	16.5	14.5	13	17.5	15.5

* Two SUP/EXH blocks are provided for models with 11 stations or more.

DIN Rail Manifold Exploded View

45-^A_{NA} Type

Replacement Parts

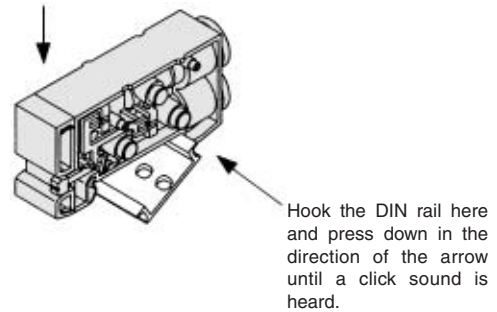
No.	Description	Part no.		Note
		SY3000	SY5000	
①	Manifold block assembly	SX3000-50-1A-□□	SX5000-50-1A-□□	•SY3000 (Metric size) (Inch size) C4: With One-touch fitting for $\phi 4$ N3: With One-touch fitting for $\phi 5/32$ " C6: With One-touch fitting for $\phi 6$ N7: With One-touch fitting for $\phi 1/4$ " For SY5000 (Metric size) (Inch size) C4: With One-touch fitting for $\phi 4$ N3: With One-touch fitting for $\phi 5/32$ " C6: With One-touch fitting for $\phi 6$ N7: With One-touch fitting for $\phi 1/4$ " C8: With One-touch fitting for $\phi 8$ N9: With One-touch fitting for $\phi 5/16$ " (Gasket 10 is supplied as an accessory.)
②	SUP/EXH block assembly	(Metric size) SX3000-51-1A (Inch size) SX3000-51-15A	(Metric size) SX3000-51-1A (Inch size) SX5000-51-15A	P, R port SY3000 (Metric size) With One-touch fitting for $\phi 8$ (Inch size) With One-touch fitting for $\phi 5/16$ " P, R port SY5000 (Metric size) With One-touch fitting for $\phi 10$ (Inch size) With One-touch fitting for $\phi 3/8$ "
③	End block assembly R	SX3000-52-1A	SX5000-52-1A	For D side
④	End block assembly L	SX3000-53-1A	SX5000-53-1A	For U side
⑤	Connector box	VZ3000-106-1A		For 24 VDC only
⑥	Rail stopper	TXE1-SMC		Made by Kasuga Electric Works, Ltd.
⑦	Connector assembly	SY3000-43-1A-□	SY3000-43-2A-□	+COM Type D, 2 to 8 stations Type U, 9 to 16 stations
		SY3000-43-2A-□	SY3000-43-3A-□	+COM Type D, 9 to 16 stations Type U, 2 to 8 stations
		SY3000-43-1NA-□	SY3000-43-2NA-□	-COM Type D, 2 to 8 stations Type U, 9 to 16 stations
		SY3000-43-2NA-□	SY3000-43-3NA-□	-COM Type D, 9 to 16 stations Type U, 2 to 8 stations
⑧	Dust cap	VZ3000-63-2		
⑨	Round head combination screw	SY3000-23-4	M3 x 26, Matt nickel plated	
⑩	Gasket	SX3000-57-4	SX5000-57-6	
⑪	DIN rail	VZ1000-11-1-□		Refer to page 1-4-123.

How to Increase Manifold Base

Station expansion is possible at any position.

- 1 Loosen bolt (a) fixing the manifold base until it begins to turn idly. (While pressing DIN rail releasing buttons (c), at two locations, separate the manifold base from the DIN rail.)
- 2 Press manifold block assembly dividing button (b), that are at the location where manifold bases are to be added, until button (b) locks, and then separate the block assemblies.
- 3 Mount additional manifold block assembly on the DIN rail as shown in the Fig. (1).
- 4 Press the block assemblies until a click sound is produced, and tighten the bolts (a) to fix them to the DIN rail.
⚠ Caution (Tightening torque: 1.4 N·m)
 (While lightly holding the blocks after fixing an end block on one side, tighten the other end block for better sealing.)
- 5 Untighten the rail stopper bolt (d) to demount the connector box from the DIN rail, and when remounting it, tighten the bolt while pressing it against the rail.

Fig. (1) Block mounting procedure



SV

SZ

SY

SYJ

SX

⚠ Caution

- Note 1) When there are 10 or fewer manifold block assemblies, and more are added to make a total of 11 or more, a supply/exhaust block assembly must also be added.
- Note 2) When disassembly and assembly are performed, air leakage may result if connections between blocks and tightening of the end block's holding screw, is inadequate. Before supplying air, confirm that there are no gaps, etc. between blocks, and that manifold blocks are securely fastened to the DIN rail. Then supply air and confirm that there is no air leakage before operating.
- Note 3) One connector assembly is necessary for one solenoid.
 When a number is necessary for the connector assembly mark tube, suffix the number to the part no. (0 to 15 are provided as mark tube numbers.)
 Ex) +COM spec.: D type for 2 to 8 stations: No. 10
SY3000-43-1A-10

How to Change Fitting Assembly

Type 45 manifold permits change in the A and B port sizes by changing the manifold block fitting assembly.
 After removing the valve, remove the clip with a screwdriver, etc. For mounting a new fitting assembly, insert it and then insert a clip until it will not come out of the manifold block.

Fitting Assembly Part No.

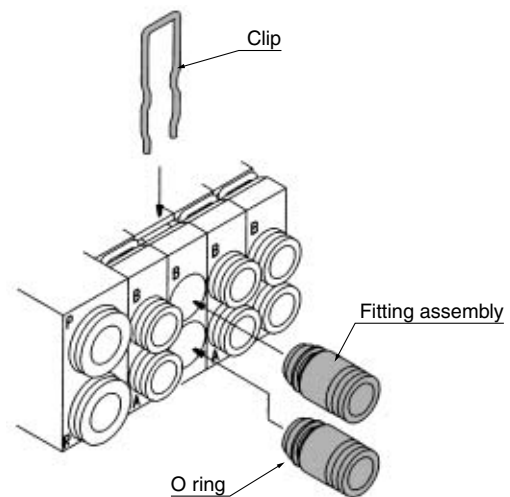
Metric size

SY3000	One-touch fitting for $\phi 4$	VVQ1000-50A-C4
	One-touch fitting for $\phi 6$	VVQ1000-50A-C6
SY5000	One-touch fitting for $\phi 4$	VVQ1000-51A-C4
	One-touch fitting for $\phi 6$	VVQ1000-51A-C6
	One-touch fitting for $\phi 8$	VVQ1000-51A-C8

Inch size

SY3000	One-touch fitting for $\phi 5/32$ "	VVQ1000-50A-N3
	One-touch fitting for $\phi 1/4$ "	VVQ1000-50A-N7
SY5000	One-touch fitting for $\phi 5/32$ "	VVQ1000-51A-N3
	One-touch fitting for $\phi 1/4$ "	VVQ1000-51A-N7
	One-touch fitting for $\phi 5/16$ "	VVQ1000-51A-N9

- 🔍 Note 1) P and R ports cannot be changed.
 Note 2) Use caution that O-rings must be free from scratches and dust. Otherwise, air leakage may result.



Series SY3000/5000 Base Mounted Monifold Stacking Type/DIN Rail Mounted Plug-in

Type **45**

How to Order Manifold

Type 45F (D-sub connector, 25 pins)

SS5Y 3 - 45 F D - 05 U - C4

Series

3	SY3000
5	SY5000

Common specifications

Nil	Positive common
N	Negative common

Connector mounting position

Symbol	Mounting position
U	U side
D	D side

Valve stations

Symbol	Stations	Note
02	2 stations	Single wiring spec. (Applicable up to 20 solenoid valves.)
:	:	
20	20 stations	



- * This also includes the number of blanking plate assemblies.
- * Two stations are necessary for the double, 3 position (Dual body type).

SUP/EXH block assembly mounting position

Symbol	Mounting position	Stations
U	U side	2 to 10 stations
D	D side	2 to 10 stations
B	(Both sides)	2 to 20 stations
M	Special specifications	

* For special specifications, indicate separately on the manifold specification sheet.

A, B port size

One-touch fitting (Metric size)

Symbol	Port size	Applicable series
C4	One-touch fitting for $\phi 4$	SY3000
C6	One-touch fitting for $\phi 6$	
M	Mixed	
C4	One-touch fitting for $\phi 4$	SY5000
C6	One-touch fitting for $\phi 6$	
C8	One-touch fitting for $\phi 8$	
M	Mixed	

One-touch fitting (Inch size)

Symbol	Port size	Applicable series
N3	One-touch fitting for $\phi 5/32$ "	SY3000
N7	One-touch fitting for $\phi 1/4$ "	
M	Mixed	
N3	One-touch fitting for $\phi 5/32$ "	SY5000
N7	One-touch fitting for $\phi 1/4$ "	
N9	One-touch fitting for $\phi 5/16$ "	
M	Mixed	

* In the case of mixed specifications (M), indicate separately on the manifold specification sheet.

Voltage

Nil	24 VDC
12V	12 VDC

Option

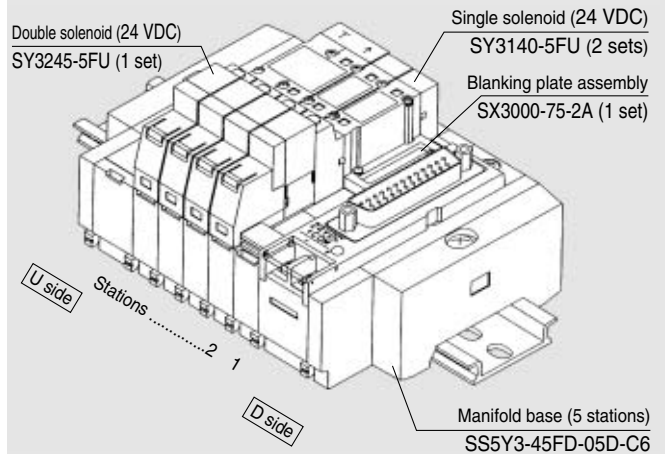
When a longer DIN rail is desired than the specified stations, specify the station number to be required.
(20 stations at maximum)



For external pilot and built-in silencer, refer to page 1-4-197.

How to Order Valve Manifold Assembly

Example (Type 45F/D-sub connector (25 pins))



- SS5Y3-45FD-05U-C6 1 set**
(Type 45F, D-sub connector 5 port manifold base part no.)
- * SX3000-75-2A 1 set (Blanking plate assembly part no.)
 - * SY3140-5FU 2 sets (Single solenoid part no.)
 - * SY3245-5FU 1 set (Double solenoid part no.)

The asterisk denotes the symbol for assembly. Prefix it to the part nos. of the solenoid valve, etc.

- The valve arrangement is numbered as the 1st. station from D side regardless of the mounting position of connector box.
- When ordering double solenoid valves/3 position (Dual body type), please keep in mind that they require two manifold stations.

How to Order Valves

(Type 45F, 45P□, 45T, 45T1)

2 position single **SY 3 1 4 0 - 5 FU**

Double, 3 position **SY 3 2 4 5 - 5 FU**

Series

3	SY3000
5	SY5000

Type of actuation

2	2 position double
3	3 position closed center
4	3 position exhaust center
5	3 position pressure center

Dual body type (Double, 3 position)

Rated voltage

5	24 VDC
6	12 VDC

Manual override

Nil	Non-locking push type
D	Push-turn locking slotted type
E	Push-turn locking lever type

How to Order Manifold

Type 45G (Flat cable, PC wiring system compatible)

SS5Y 3-45G D-05 U C4

Series

3	SY3000
5	SY5000

Option

When a longer DIN rail is desired than the specified stations, specify the station number to be required. (20 stations at maximum)

Connector mounting position

Symbol	Mounting position
U	U side
D	D side

A, B port size

Symbol	Port size	Applicable series
C4	One-touch fitting for ø4	SY3000
C6	One-touch fitting for ø6	
M	Mixed	SY5000
C4	One-touch fitting for ø4	
C6	One-touch fitting for ø6	
C8	One-touch fitting for ø8	
M	Mixed	

* In the case of mixed specifications, indicate separately on the manifold specification sheet.

One-touch fitting (Inch size)

Symbol	Port size	Applicable series
N3	One-touch fitting for ø5/32"	SY3000
N7	One-touch fitting for ø1/4"	
M	Mixed	SY5000
N3	One-touch fitting for ø5/32"	
N7	One-touch fitting for ø1/4"	
N9	One-touch fitting for ø5/16"	
M	Mixed	

Valve stations

Symbol	Stations	Note
02	2 stations	Single wiring spec. (Applicable up to 16 solenoid valves.)
⋮	⋮	
16	16 stations	

* Two stations are necessary for the double, 3 position (Dual body type).
* This also includes the number of blanking plate assemblies.

SUP/EXH block assembly specifications

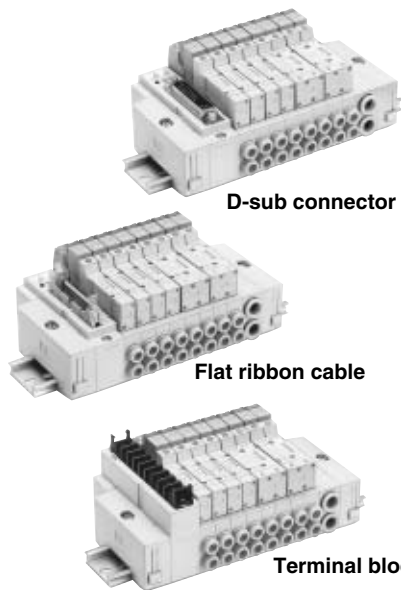
Symbol	Specifications
Nil	Internal pilot
R	External pilot
S	Internal pilot/Built-in silencer
RS	External pilot/Built-in silencer

SUP/EXH block assembly mounting position

Symbol	Mounting position	Stations
U	U side	2 to 10 stations
D	D side	2 to 10 stations
B	Both sides	2 to 16 stations
M	Special specifications	

* For special specifications, indicate separately on the manifold specification sheet.

Manifold Specifications



Model	D-sub connector Type 45F	Flat ribbon cable Type 45P□			Terminal block		Flat ribbon cable PC wiring system compatible	
		Type 45P	Type 45PG	Type 45PH	Type 45T	Type 45T1	Type 45G	
Manifold	Plug-in							
P (SUP)/R (EXH)	Common SUP, Common EXH							
Valve stations ^{Note 1, 2)}	2 to 20 stations	2 to 16 stations	2 to 8 stations		2 to 17 stations	2 to 16 stations		
A, B port Porting specifications	Location	Base						
	Direction	Side						
Port size	P, R port	C8 (One-touch fitting for ø8)						
		C10 (One-touch fitting for ø10)						
	A, B port	C4 (One-touch fitting for ø4)/C6 (One-touch fitting for ø6)						
		C4 (One-touch fitting for ø4)/C6 (One-touch fitting for ø6)/C8 (One-touch fitting for ø8)						
Applicable connector	D-sub connector	Complies with MIL-C-24308 JIS-X-5101	Flat ribbon cable connector Socket: 26 pins MIL type with strain relief Conforming to MIL-C-83503	Flat ribbon cable connector Socket: 20 pins MIL type with strain relief Conforming to MIL-C-83503	Flat ribbon cable connector Socket: 10 pins MIL type with strain relief Conforming to MIL-C-83503	Terminal block (M3) 9 pins	Terminal block (M3) 18 pins	Flat ribbon cable connector Socket: 20 pins MIL type with strain relief Conforming to MIL-C-83503
	Internal wiring	+COM (Type 45□), -COM (Type 45N□)				In common between +COM and -COM.		+ COM
	Manifold base weight w (g)	SY3000	2 to 10 stations: W = 26n + 172					
	n: Stations (D-sub connector)		SY5000	11 to 20 stations: W = 26n + 199				
		2 to 10 stations: W = 54n + 227						
		11 to 20 stations: W = 52n + 264						

Note 1) For more than 11 stations, supply pressure to P port on both sides and exhaust from R port on both sides.
Note 2) There is a limit depending on the number of solenoids. Refer to "How to Order".

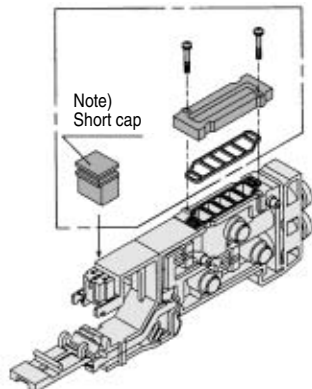
Flow Characteristics

Model	Port size		Flow characteristics					
	1, 5, 3 (P, EA, EB)	4, 2 (A, B)	1 → 4/2 (P → A/B)			4/2 → 5/3 (A/B → EA/EB)		
			C (dm ³ /s-bar)	b	Cv	C (dm ³ /s-bar)	b	Cv
SS5Y3-45□	C8	C6	0.88	0.21	0.22	0.95	0.18	0.22
SS5Y5-45□	C10	C8	2.2	0.24	0.53	2.5	0.18	0.58

Note) The value is for manifold base with 5 stations and individually operated 2 position type.

Manifold Option

■ Blanking plate assembly



Series	Assembly part no.
SY3000	SX3000-75-2A
SY5000	SX5000-76-2A

Note) • When mounting blanking plate, be sure to mount a short cap.
• Two stations are necessary for the double, 3 position (Dual body type).

■ SUP block disk

By installing a SUP block disk in the pressure supply passage of a manifold valve, it is possible to supply two or more different high and low pressures to one manifold.



Series	Part no.
SY3000	SX3000-77-1A
SY5000	SX5000-77-1A

■ EXH block disk

By installing an EXH block disk in the exhaust passage of a manifold valve, it is possible to divide the valve's exhaust so that it does not affect another valve. (Two block disks are needed to divide both exhausts.)

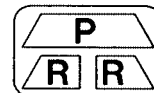
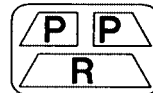


Series	Part no.
SY3000	SX3000-77-1A
SY5000	SX5000-77-1A

■ Label for block disk

The labels shown below are used on manifold stations containing SUP/EXH block disk(s) to show their location. (3 pcs. each)
VZ3000-123-1A (In common with SY3000/5000)

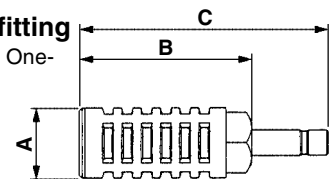
Label for SUP block disk Label for EXH block disk Label for SUP/EXH block disk



Note) When a block disk is concurrently ordered by specifying on the manifold specification sheet, etc., a label will be stuck on the position where block disk is mounted.

■ Silencer with One-touch fitting

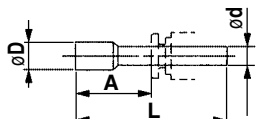
The silencer plugs directly into the One-touch fittings of the manifold.



Series	Model	Effective area	A	B	C
For SY3000 (ø8)	AN203-KM8	14 mm ²	ø16	26	51
	AN200-KM10	26 mm ²	ø22	53.8	80.8
For SY5000 (ø10)	AN300-KM10	30 mm ²	ø25	70	97

■ Plug (white)

These are inserted in unused cylinder ports and SUP, EXH ports. Purchasing order is available in units of 10 pieces.



Dimensions

Applicable fittings size ød	Model	A	L	D
4	KQ2P-04	16	32	6
6	KQ2P-06	18	35	8
8	KQ2P-08	20.5	39	10
10	KQ2P-10	22	43	12
1/8"	KQ2P-01	16	31.5	5
5/32"	KQ2P-03	16	32	6
1/4"	KQ2P-07	18	35	8.5
5/16"	KQ2P-09	20.5	39	10

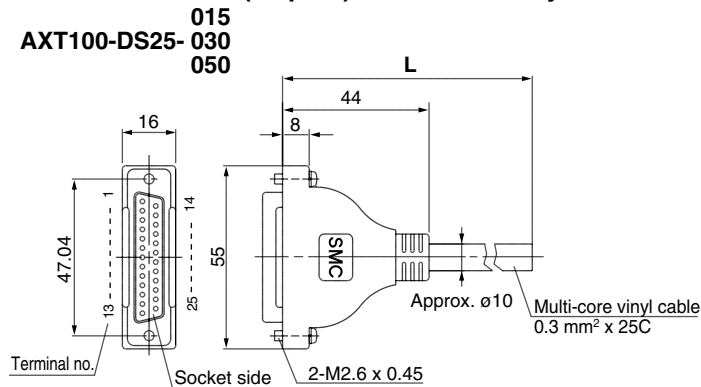
⚠ Caution

Mounting screw tightening torques

M2: 0.17 N·m
M3: 0.8 N·m
M4: 1.4 N·m

Manifold Option

▪ D-sub connector (25 pins)/Cable assembly



D-sub Connector Cable Assembly Terminal No.

Terminal no.	Lead wire color	Dot marking
1	Black	None
2	Brown	None
3	Red	None
4	Orange	None
5	Yellow	None
6	Pink	None
7	Blue	None
8	Purple	White
9	Gray	Black
10	White	Black
11	White	Red
12	Yellow	Red
13	Orange	Red
14	Yellow	Black
15	Pink	Black
16	Blue	White
17	Purple	None
18	Gray	None
19	Orange	Black
20	Red	White
21	Brown	White
22	Pink	Red
23	Gray	Red
24	Black	White
25	White	None

D-sub Connector Cable

Cable length (L)	Assembly part no.	Note
1.5 m	AXT100-DS25-015	Cable 25 core x 24 AWG
3 m	AXT100-DS25-030	
5 m	AXT100-DS25-050	

* When a commercially available connector is required, use a 25 pin female connector conforming to MIL-C24308.

Electric Characteristics

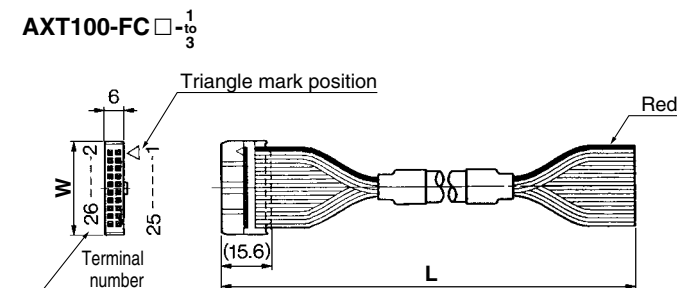
Item	Characteristics
Conductor resistance Ω/km, 20°C	65 or less
Voltage limit V, 1 min, AC	1000
Insulation resistance MΩkm, 20°C	5 or more

Note) The min. bending radius of D-sub cable assembly is 20 mm.

Connector manufacturers' example

- Hirose Electric Co., Ltd.
- Fujitsu Limited
- Japan Aviation Electronics Industry, Ltd.
- J.S.T. Mfg. Co., Ltd.

▪ Flat Ribbon Cable Connector/Cable assembly



Flat Ribbon Cable Assembly

Cable length (L)	10 pins	20 pins	26 pins
1.5 m	AXT100-FC10-1	AXT100-FC20-1	AXT100-FC26-1
3 m	AXT100-FC10-2	AXT100-FC20-2	AXT100-FC26-2
5 m	AXT100-FC10-3	AXT100-FC20-3	AXT100-FC26-3
Connector width (W)	17.2	30	37.5

* For other commercial connectors, use a type with strain relief that conform to MIL-C-83503.

Connector manufacturers' example

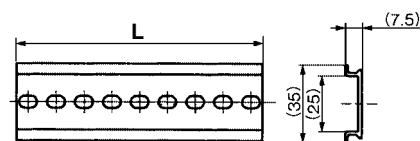
- Hirose Electric Co., Ltd.
- Sumitomo 3M Limited
- Fujitsu Limited
- Japan Aviation Electronics Industry, Ltd.
- J.S.T. Mfg. Co., Ltd.

▪ Dimensions/DIN rail

VZ1000-11-1-

Refer to L dimensions

* Fill in with an appropriate no. listed on the table of DIN rail dimensions shown below.



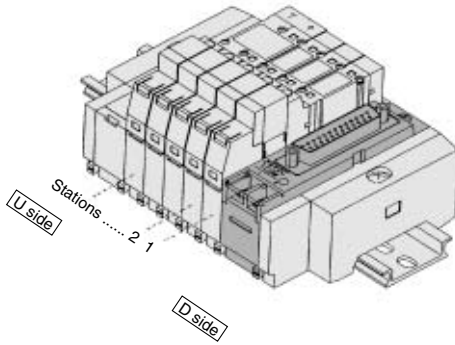
No.	0	1	2	3	4	5	6	7	8	9	10
L Dimension	98	110.5	123	135.5	148	160.5	173	185.5	198	210.5	223
No.	11	12	13	14	15	16	17	18	19	20	21
L Dimension	235.5	248	260.5	273	285.5	298	310.5	323	335.5	348	360.5
No.	22	23	24	25	26	27	28	29	30	31	32
L Dimension	373	385.5	398	410.5	423	435.5	448	460.5	473	485.5	498
No.	33	34	35	36	37	38	39	40	41	42	43
L Dimension	510.5	523	535.5	548	560.5	573	585.5	598	610.5	623	635.5
No.	44	45	46	47	48	49	50	51	52	53	54
L Dimension	648	660.5	673	685.5	698	710.5	723	735.5	748	760.5	773
No.	55	56	57	58	59	60	61	62	63	64	65
L Dimension	785.5	798	810.5	823	835.5	848	860.5	873	885.5	898	910.5
No.	66	67	68	69	70	71					
L Dimension	923	935.5	948	960.5	973	985.5					

* Refer to L1 dimension on pages starting with page 1-4-150 for lengths that correspond to the number of manifold stations.

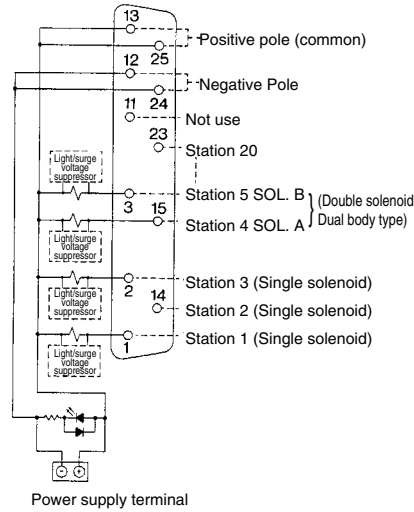
Manifold Internal Wiring

Type 45(N)F: D-sub Connector

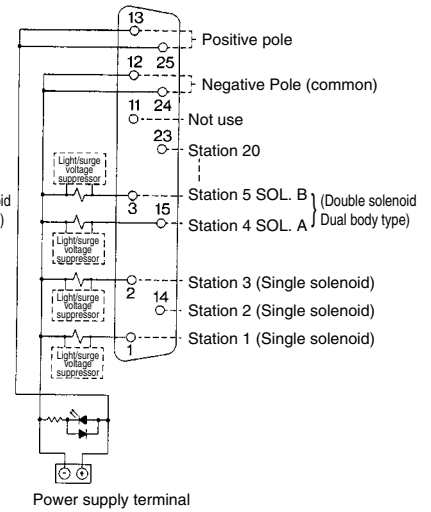
A D-sub connector used for electric wiring reduces labor during wiring operation. Connectors conforming to MIL are used for interchangeability.



<For positive common (45F)>



<For negative common (45NF)>

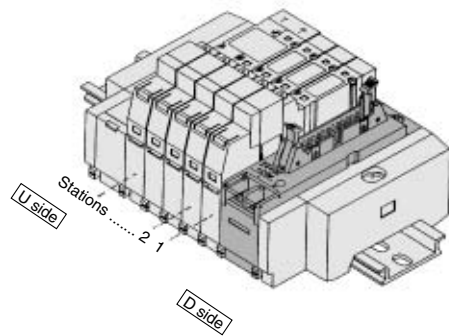


- The power source terminal is used for connecting to an external power source.
- The maximum number of stations that can be accommodated is 20 manifold stations, with up to 22 solenoids. (For more stations, please contact SMC.)
- Regardless of the connector mounting position, stations are to be counted from D side as the 1st one.

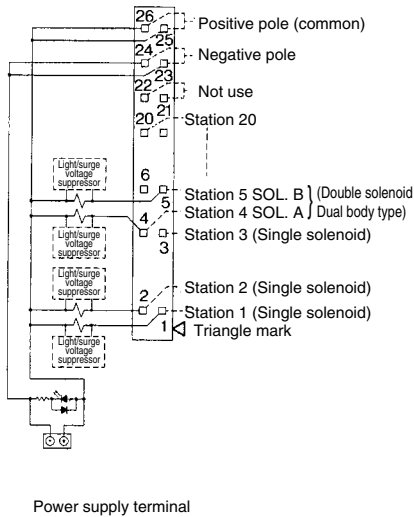
SV
SZ
SY
SYJ
SX

Type 45(N)P: Flat Ribbon Cable (26 pins)

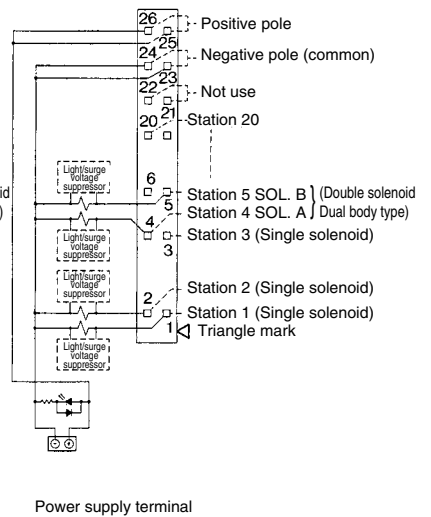
A flat cable connector used for electric wiring reduces labor during wiring operation. Connectors conforming to MIL are used for interchangeability.



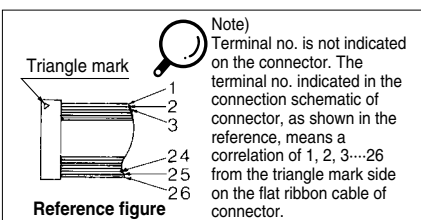
<For positive common (45P)>



<For negative common (45NP)>



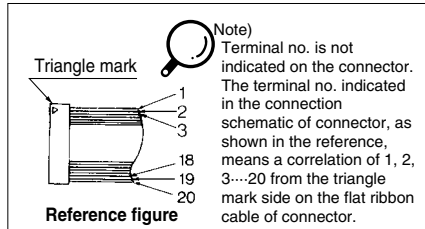
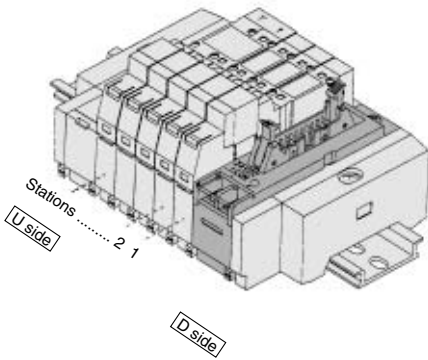
- The power source terminal is used for connecting to an external power source.
- The maximum number of stations that can be accommodated is 20 manifold stations, with up to 20 solenoids. (For more stations, please contact SMC.)
- Regardless of the connector mounting position, stations are to be counted from D side as the 1st one.



Manifold Internal Wiring

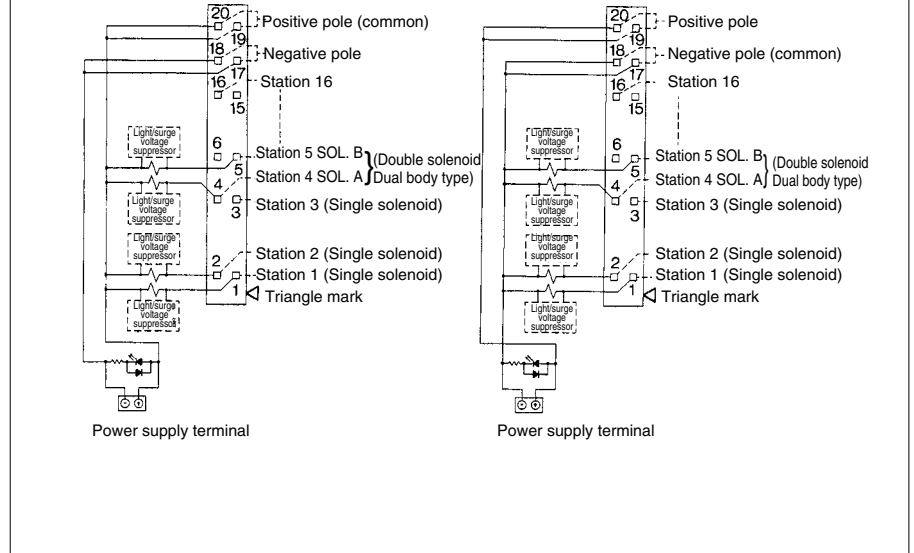
Type 45(N)PG: Flat Ribbon Cable (20 pins)

A flat cable connector used for electric wiring reduces labor during wiring operation. Connectors conforming to MIL are used for interchangeability.



<For positive common (45PG)>

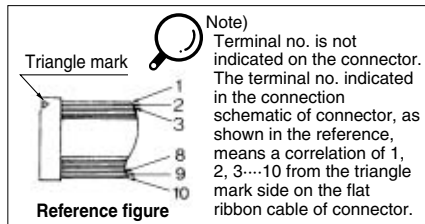
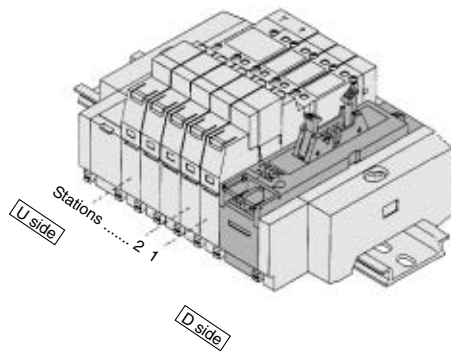
<For negative common (45NPG)>



- The power source terminal is used for connecting to an external power source.
- The maximum number of stations that can be accommodated is 16 manifold stations, with up to 16 solenoids. (For more stations, please contact SMC.)
- Regardless of the connector mounting position, stations are to be counted from D side as the 1st one.

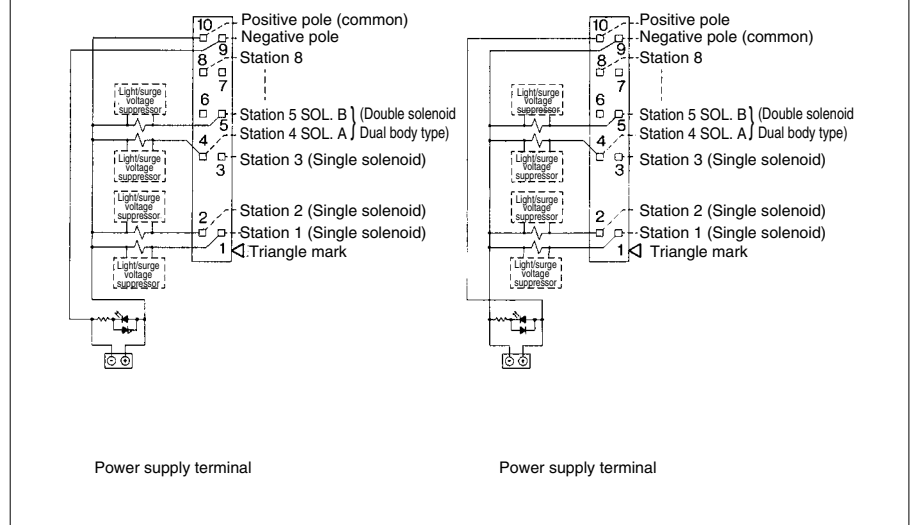
Type 45(N)PH: Flat Ribbon Cable (10 pins)

A flat cable connector used for electric wiring reduces labor during wiring operation. Connectors conforming to MIL are used for interchangeability.



<For positive common (45PH)>

<For negative common (45NPH)>

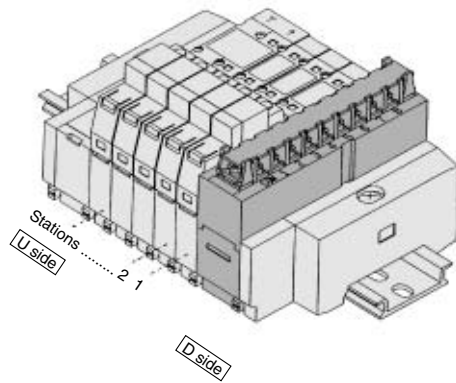


- The power source terminal is used for connecting to an external power source.
- The maximum number of stations that can be accommodated is 8 manifold stations, with up to 8 solenoids. (For more stations, please contact SMC.)
- Regardless of the connector mounting position, stations are to be counted from D side as the 1st one.

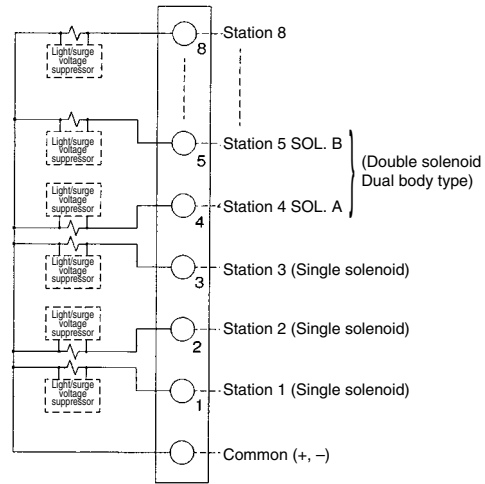
Manifold Internal Wiring

Type 45T: Terminal Block

A terminal block style permits direct cable connection without treatment of lead wires.



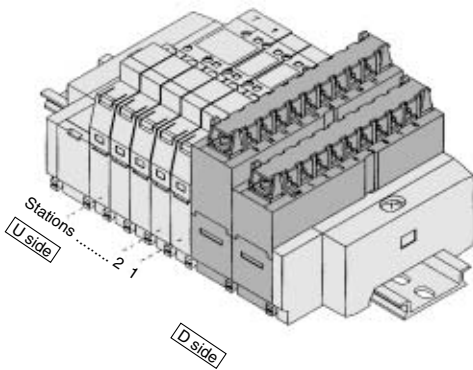
(45T)



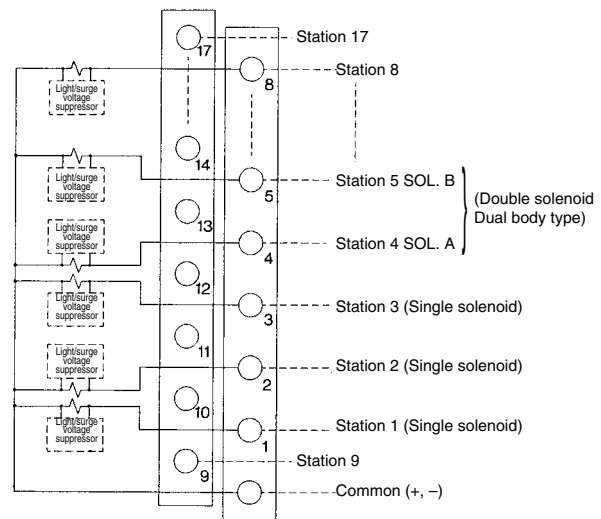
SV
SZ
SY
SYJ
SX

- The maximum number of stations that can be accommodated is 8 manifold stations, with up to 8 solenoids. (For more stations, please contact SMC.)
- Regardless of the connector mounting position, stations are to be counted from D side as the 1st one.
- There is no polarity in the COM wiring. Supply positive power for +COM spec. and negative power for -COM spec.

Type 45T1: Terminal Block



(45T1)

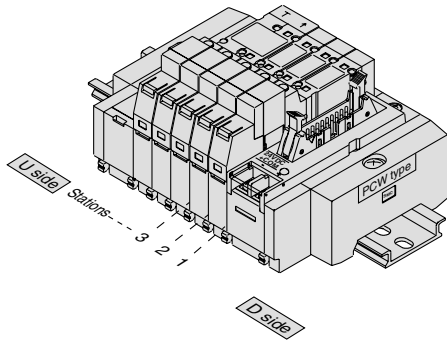


- The maximum number of stations that can be accommodated is 17 manifold stations, with up to 17 solenoids. (For more stations, please contact SMC.)
- Regardless of the connector mounting position, stations are to be counted from D side as the 1st one.
- There is no polarity in the COM wiring. Supply positive power for +COM spec. and negative power for -COM spec.

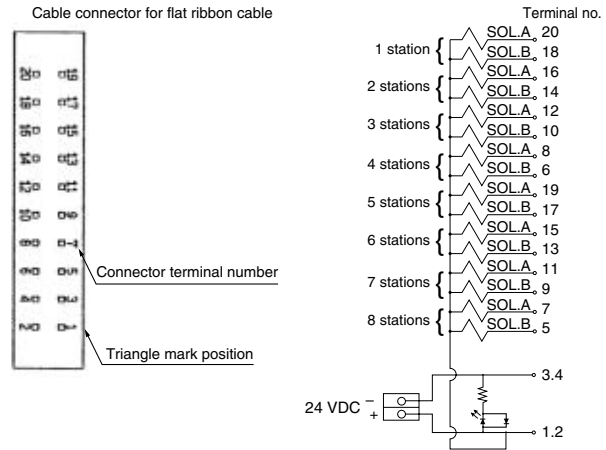
Manifold Internal Wiring

Type 45G: Flat Ribbon Cable (PC Wiring System compatible)

It's the manifold for 20 pins flat ribbon cable connector which is compliant for PC wiring system.



Electric circuit diagram
(Below wiring is the case of all double solenoid connections.)



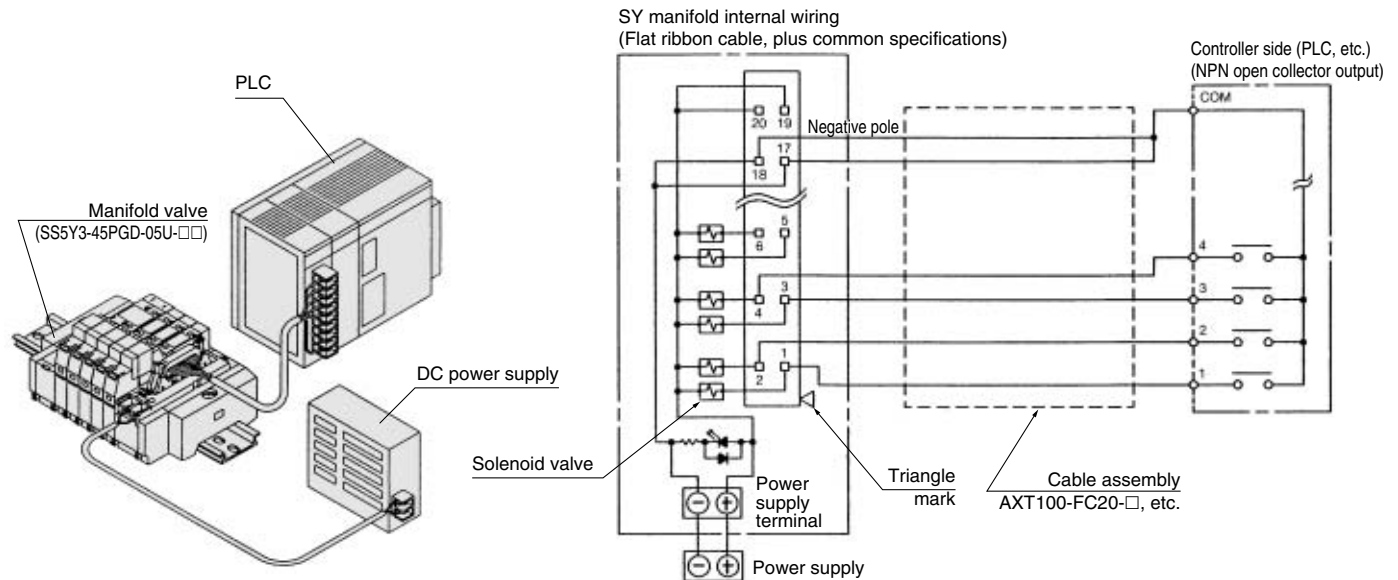
- The maximum number of stations that can be accommodated is 16 manifold stations, with up to 16 solenoids. (For more stations, please contact SMC.)
- Regardless of the connector mounting position, stations are to be counted from D side as the 1st one.

(For details about the PC wiring system, refer to catalog)
(CAT.ES02-20 separately.)

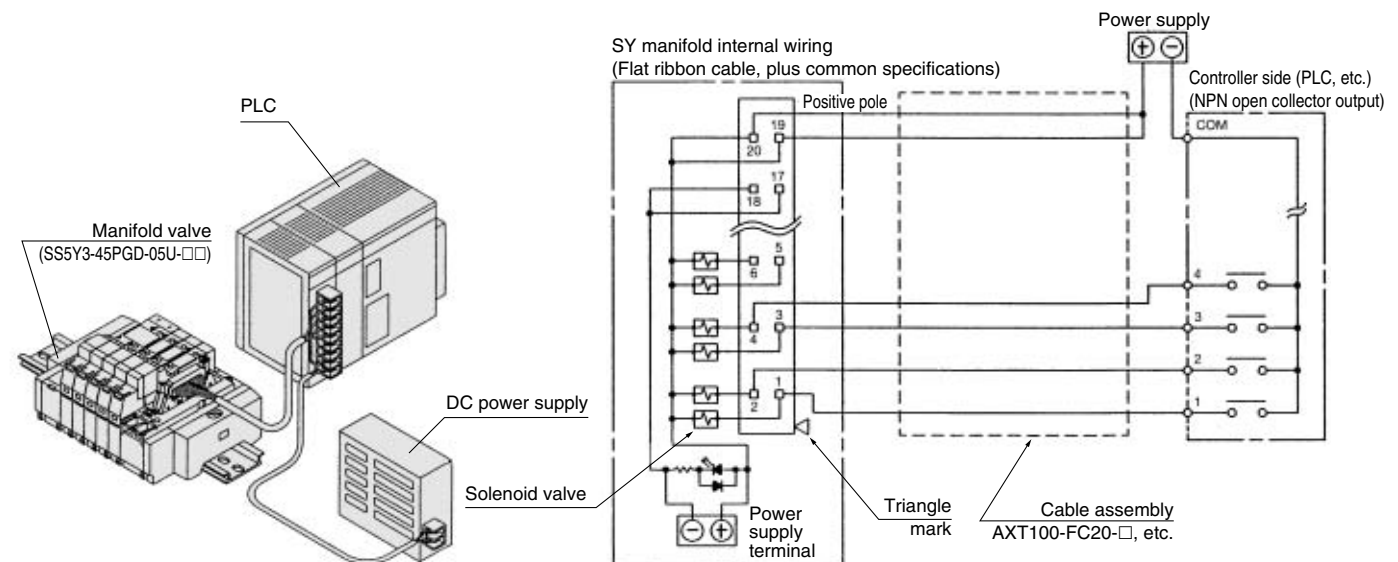
How to Connect SS5Y□-45□ (Plug-in)

Power terminal is equipped with plug-in manifold of Series SY as standard.
Power terminal enables the power supply to valve from either of manifold or controller side.

1. Wiring example when using manifold power supply terminals



2. Wiring example when not using manifold power supply terminals (Power is supplied to the controller side or along the wiring, etc.)

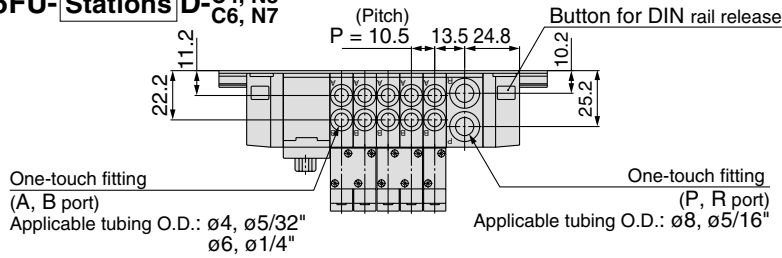


⚠ Caution

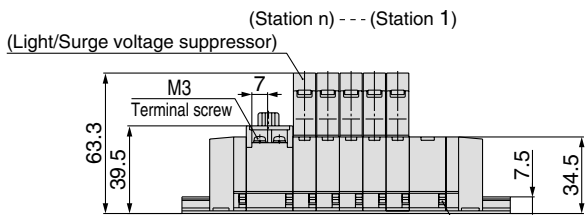
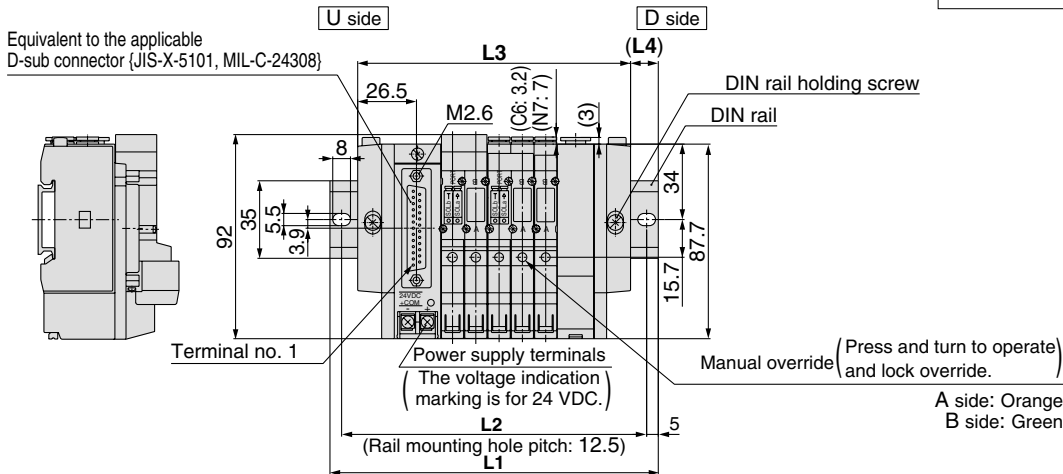
- Single wire, COM position, etc. of PLC are different from each manufacturer. When connecting with PLC, read the specifications carefully and understand the electrical circuit. Poor wiring could cause damage to PLC, power source, etc. as well as manifold and valve.

SY3000: D-sub Connector/Plug-in

SS5Y3-45FU- Stations D-C4, N3
C6, N7

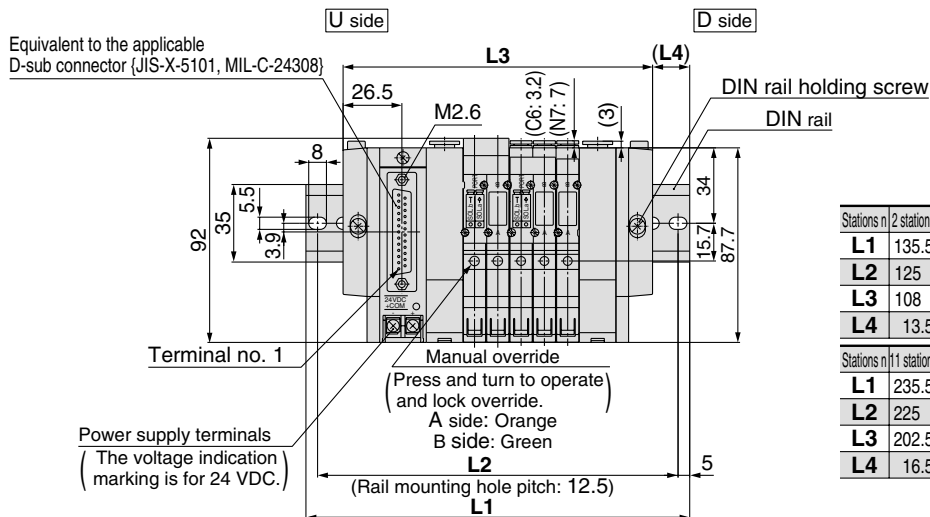
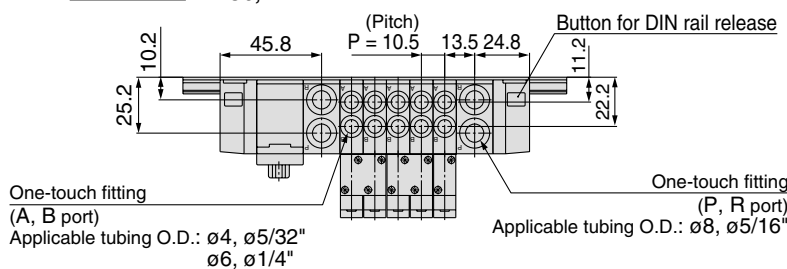


Note) The L1 to L4 dimensions of **SS5Y3-45FU- Stations U-C4, N3 C6, N7** are identical to those of **SS5Y3-45FU- Stations D-C4, N3 C6, N7**.



Stations n	2 stations	3	4	5	6	7	8	9	10 stations
L1	123	135.5	148	148	160.5	173	185.5	198	210.5
L2	112.5	125	137.5	137.5	150	162.5	175	187.5	200
L3	91.5	102	112.5	123	133.5	144	154.5	165	175.5
L4	15.5	16.5	17.5	12.5	13.5	14.5	15.5	16.5	17.5

SS5Y3-45FU- Stations B-C4, N3
C6, N7

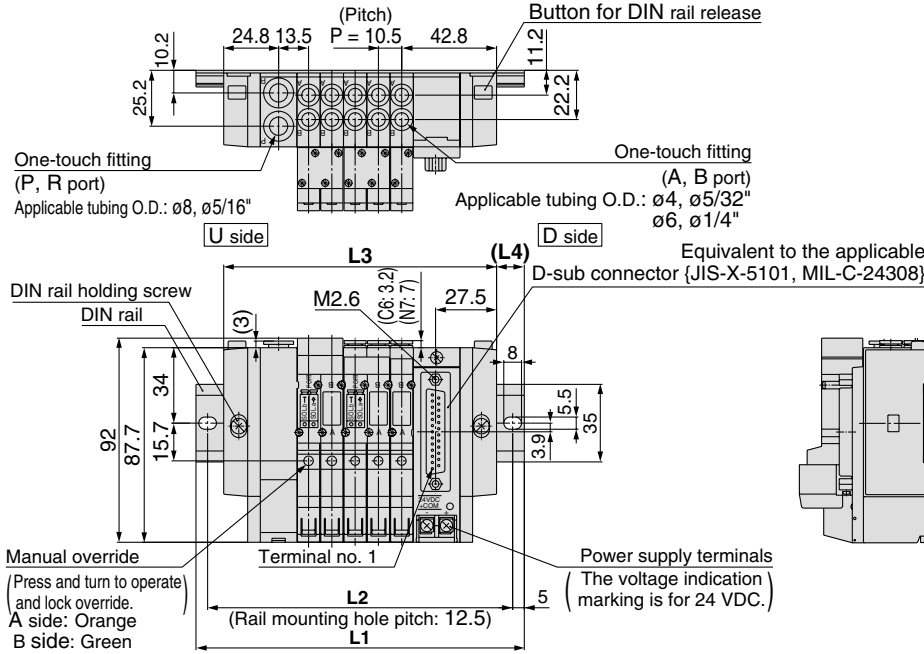


Stations n	2 stations	3	4	5	6	7	8	9	10 stations
L1	135.5	148	160.5	173	185.5	185.5	198	210.5	223
L2	125	137.5	150	162.5	175	175	187.5	200	212.5
L3	108	118.5	129	139.5	150	160.5	171	181.5	192
L4	13.5	14.5	15.5	16.5	17.5	12.5	13.5	14.5	15.5

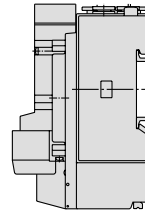
Stations n	11 stations	12	13	14	15	16	17	18	19	20 stations
L1	235.5	248	248	260.5	273	285.5	298	310.5	310.5	323
L2	225	237.5	237.5	250	262.5	275	287.5	300	300	312.5
L3	202.5	213	223.5	234	244.5	255	265.5	276	286.5	297
L4	16.5	17.5	12	13	14	15	16	17	12	13

SY3000: D-sub Connector/Plug-in

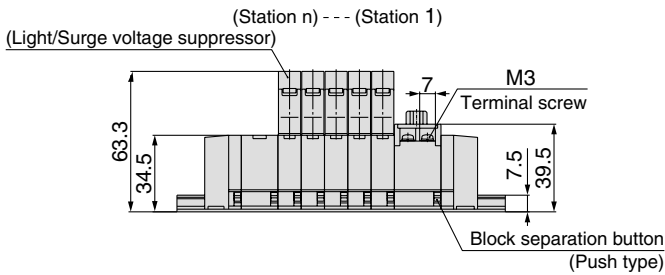
**SS5Y3-45FD- Stations U-C4, N3
C6, N7**



Note) The L1 to L4 dimensions of SS5Y3-45FD- Stations D-C4, N3 C6, N7 are identical to those of SS5Y3-45FD- Stations U-C4, N3 C6, N7.

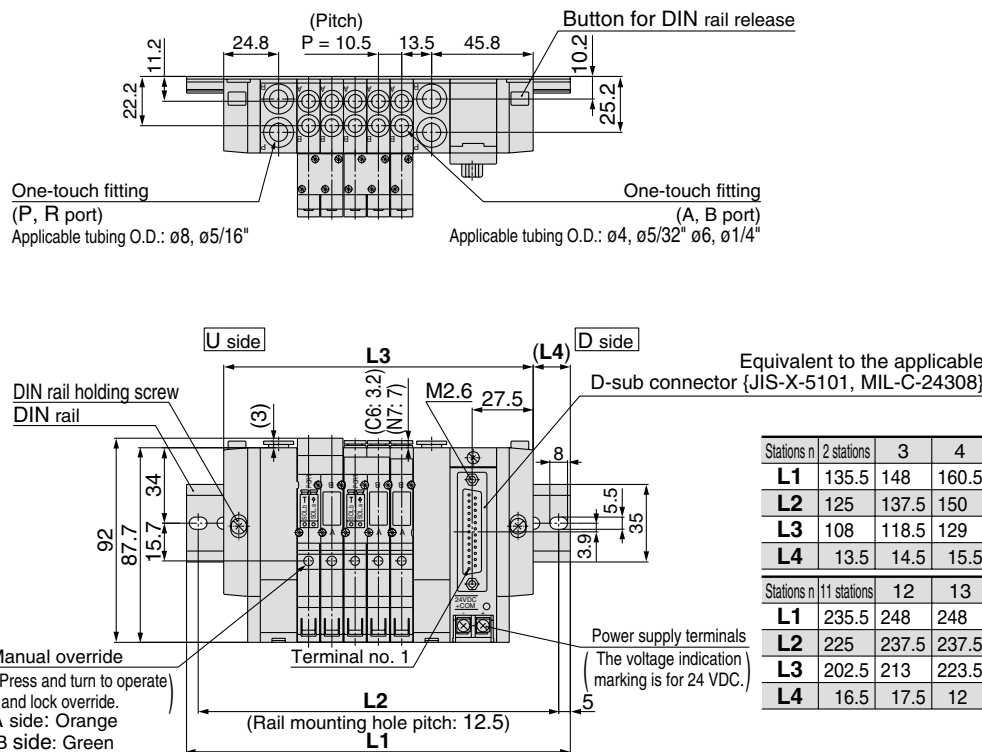


- SV
- SZ
- SY
- SYJ
- SX



Stations n	2 stations	3	4	5	6	7	8	9	10 stations
L1	123	135.5	148	148	160.5	173	185.5	198	210.5
L2	112.5	125	137.5	137.5	150	162.5	175	187.5	200
L3	91.5	102	112.5	123	133.5	144	154.5	165	175.5
L4	15.5	16.5	17.5	12.5	13.5	14.5	15.5	16.5	17.5

**SS5Y3-45FD- Stations B-C4, N3
C6, N7**

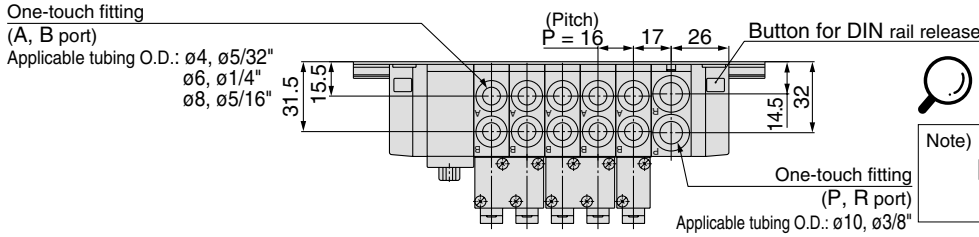


Stations n	2 stations	3	4	5	6	7	8	9	10 stations
L1	135.5	148	160.5	173	185.5	185.5	198	210.5	223
L2	125	137.5	150	162.5	175	175	187.5	200	212.5
L3	108	118.5	129	139.5	150	160.5	171	181.5	192
L4	13.5	14.5	15.5	16.5	17.5	12.5	13.5	14.5	15.5

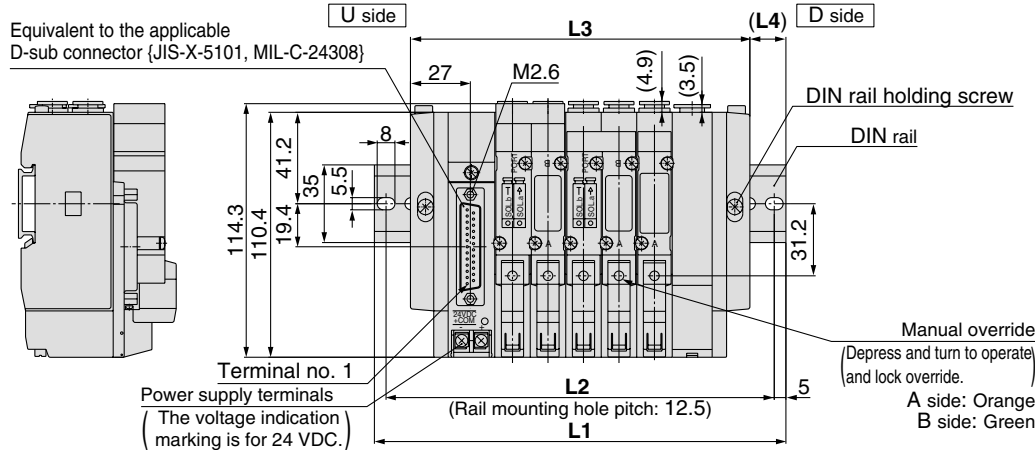
Stations n	11 stations	12	13	14	15	16	17	18	19	20 stations
L1	235.5	248	248	260.5	273	285.5	298	310.5	310.5	323
L2	225	237.5	237.5	250	262.5	275	287.5	300	300	312.5
L3	202.5	213	223.5	234	244.5	255	265.5	276	286.5	297
L4	16.5	17.5	12	13	14	15	16	17	12	13

SY5000: D-sub Connector/Plug-in

SS5Y5-45FU- Stations D-C6, N7 C8, N9 C4, N3

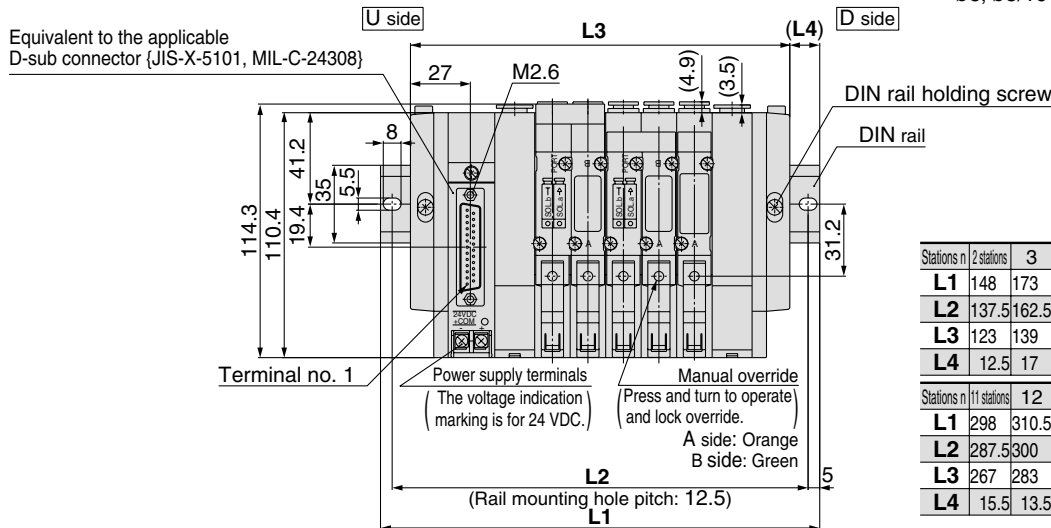
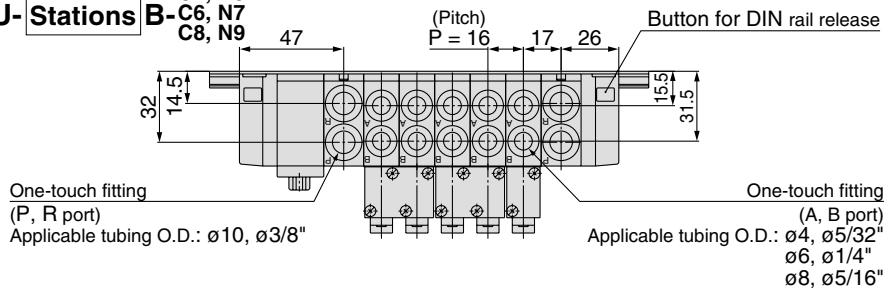


Note) The L1 to L4 dimensions of SS5Y5-45FU- Stations U-C4, N3 C6, N7 C8, N9 are identical to those of SS5Y5-45FU- Stations D-C4, N3 C6, N7 C8, N9



Stations n	2 stations	3	4	5	6	7	8	9	10 stations
L1	135.5	148	160.5	185.5	198	210.5	235.5	248	260.5
L2	125	137.5	150	175	187.5	200	225	237.5	250
L3	105	121	137	153	169	185	201	217	233
L4	15	13.5	11.5	16	14.5	12.5	17	15.5	13.5

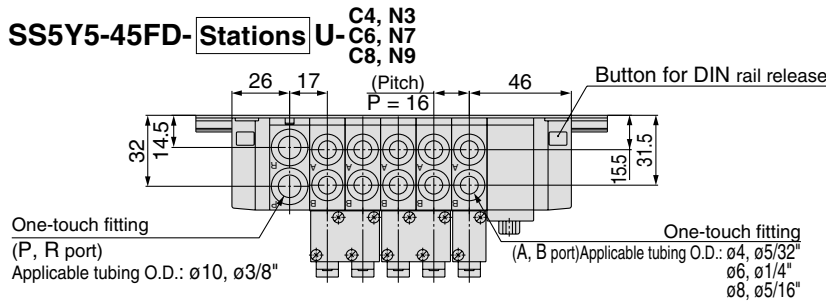
SS5Y5-45FU- Stations B-C6, N7 C8, N9 C4, N3



Stations n	2 stations	3	4	5	6	7	8	9	10 stations
L1	148	173	185.5	198	210.5	235.5	248	260.5	285.5
L2	137.5	162.5	175	187.5	200	225	237.5	250	275
L3	123	139	155	171	187	203	219	235	251
L4	12.5	17	15	13.5	11.5	16	14.5	12.5	17

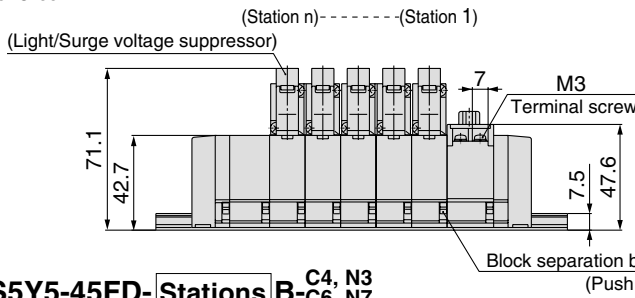
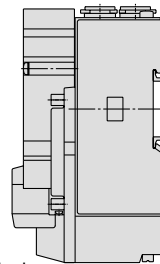
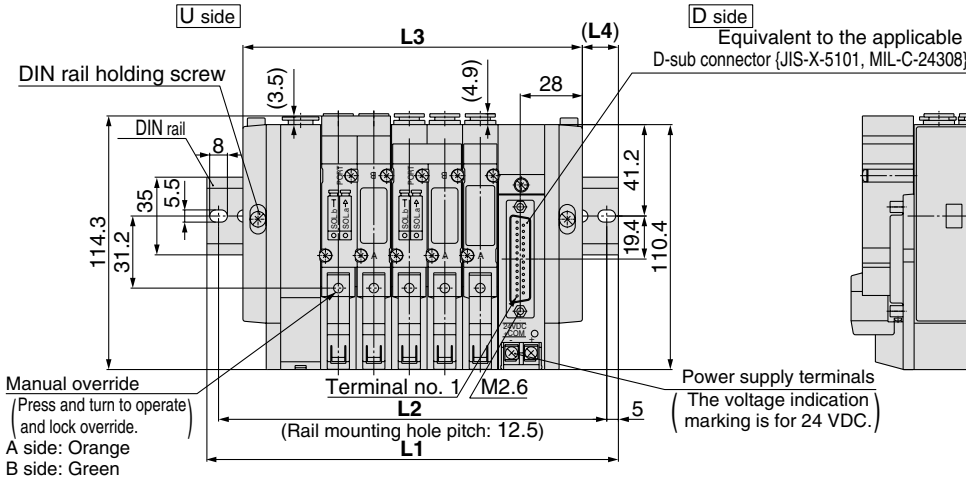
Stations n	11 stations	12	13	14	15	16	17	18	19	20 stations
L1	298	310.5	323	348	360.5	373	398	410.5	423	435.5
L2	287.5	300	312.5	337.5	350	362.5	387.5	400	412.5	425
L3	267	283	299	315	331	347	363	379	395	411
L4	15.5	13.5	12	16.5	14.5	13	17.5	15.5	14	12

SY5000: D-sub Connector/Plug-in

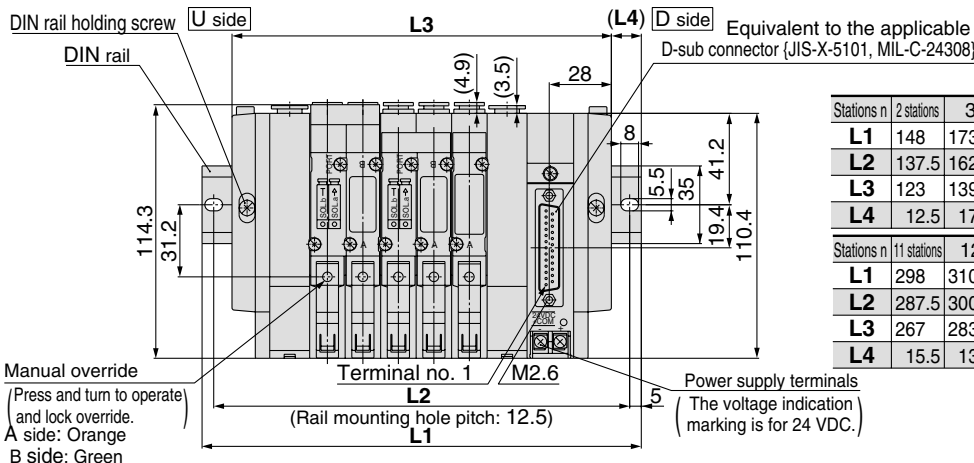
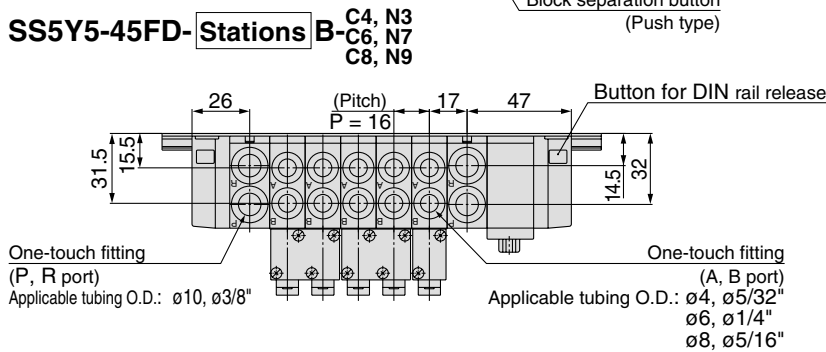


Note) The L1 to L4 dimensions of SS5Y5-45FD- Stations D- C4, N3 C6, N7 C8, N9 are identical to those of SS5Y5-45FD- Stations U- C4, N3 C6, N7 C8, N9

- SV
- SZ
- SY
- SYJ
- SX



Stations n	2 stations	3	4	5	6	7	8	9	10 stations
L1	135.5	148	160.5	185.5	198	210.5	235.5	248	260.5
L2	125	137.5	150	175	187.5	200	225	237.5	250
L3	105	121	137	153	169	185	201	217	233
L4	15	13.5	11.5	16	14.5	12.5	17	15.5	13.5

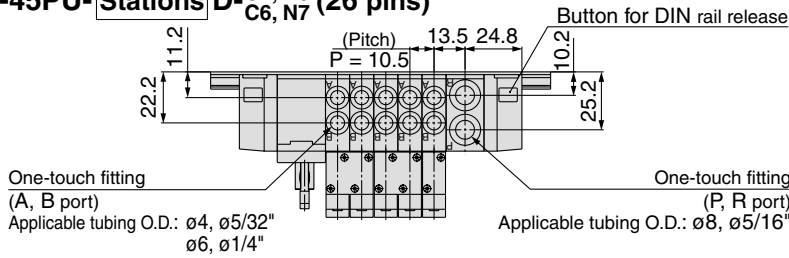


Stations n	2 stations	3	4	5	6	7	8	9	10 stations
L1	148	173	185.5	198	210.5	235.5	248	260.5	285.5
L2	137.5	162.5	175	187.5	200	225	237.5	250	275
L3	123	139	155	171	187	203	219	235	251
L4	12.5	17	15	13.5	11.5	16	14.5	12.5	17

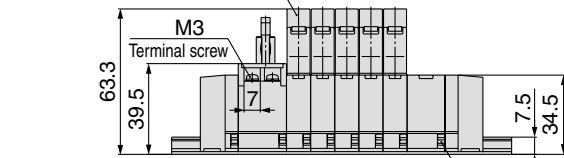
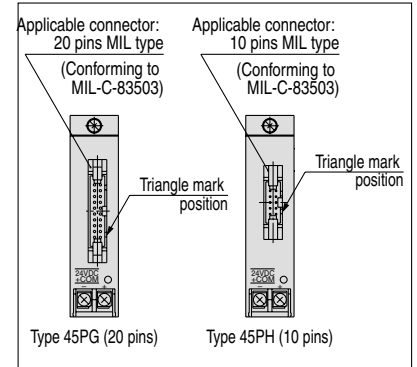
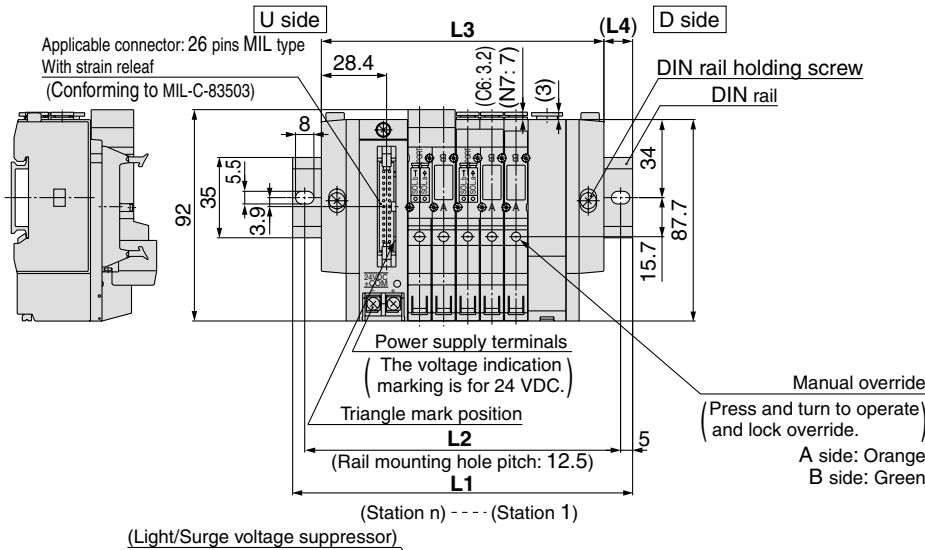
Stations n	11 stations	12	13	14	15	16	17	18	19	20 stations
L1	298	310.5	323	348	360.5	373	398	410.5	423	435.5
L2	287.5	300	312.5	337.5	350	362.5	387.5	400	412.5	425
L3	267	283	299	315	331	347	363	379	395	411
L4	15.5	13.5	12	16.5	14.5	13	17.5	15.5	14	12

SY3000: Flat Ribbon Cable/Plug-in

SS5Y3-45PU- Stations D-C4, N3 (26 pins)
C6, N7

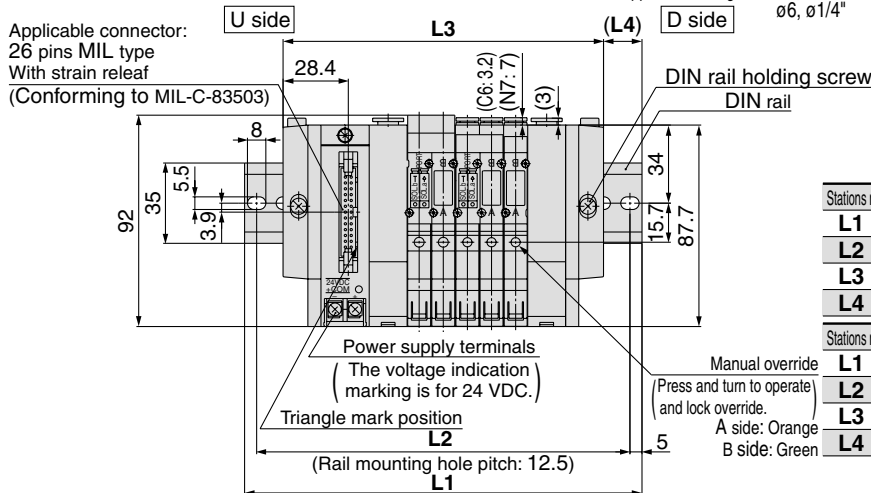
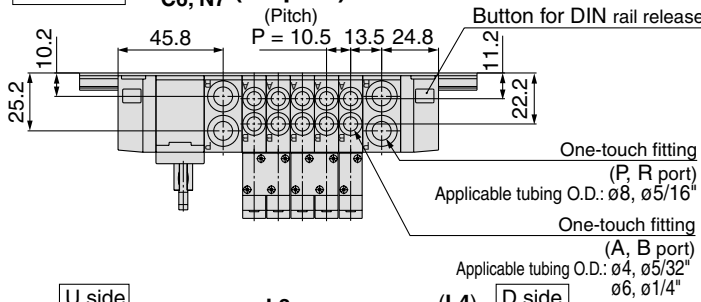


Note) The L1 to L4 dimensions of SS5Y3-45P□U- Stations U-C4, N3 are identical to those of SS5Y3-45PIU- Stations D-C4, N3 C6, N7.



Stations n	2 stations	3	4	5	6	7	8	9	10 stations
L1	123	135.5	148	148	160.5	173	185.5	198	210.5
L2	112.5	125	137.5	137.5	150	162.5	175	187.5	200
L3	91.5	102	112.5	123	133.5	144	154.5	165	175.5
L4	15.5	16.5	17.5	12.5	13.5	14.5	15.5	16.5	17.5

SS5Y3-45PU- Stations B-C4, N3 (26 pins)
C6, N7

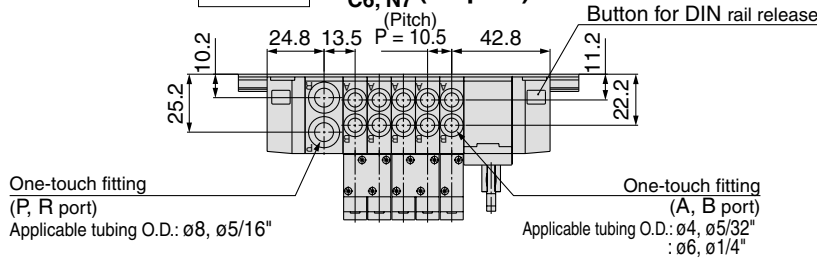


Stations n	2 stations	3	4	5	6	7	8	9	10 stations
L1	135.5	148	160.5	173	185.5	185.5	198	210.5	223
L2	125	137.5	150	162.5	175	175	187.5	200	212.5
L3	108	118.5	129	139.5	150	160.5	171	181.5	192
L4	13.5	14.5	15.5	16.5	17.5	12.5	13.5	14.5	15.5

Stations n	11 stations	12	13	14	15	16	17	18	19	20 stations
L1	235.5	248	248	260.5	273	285.5	298	310.5	310.5	323
L2	225	237.5	237.5	250	262.5	275	287.5	300	300	312.5
L3	202.5	213	223.5	234	244.5	255	265.5	276	286.5	297
L4	16.5	17.5	12	13	14	15	16	17	12	13

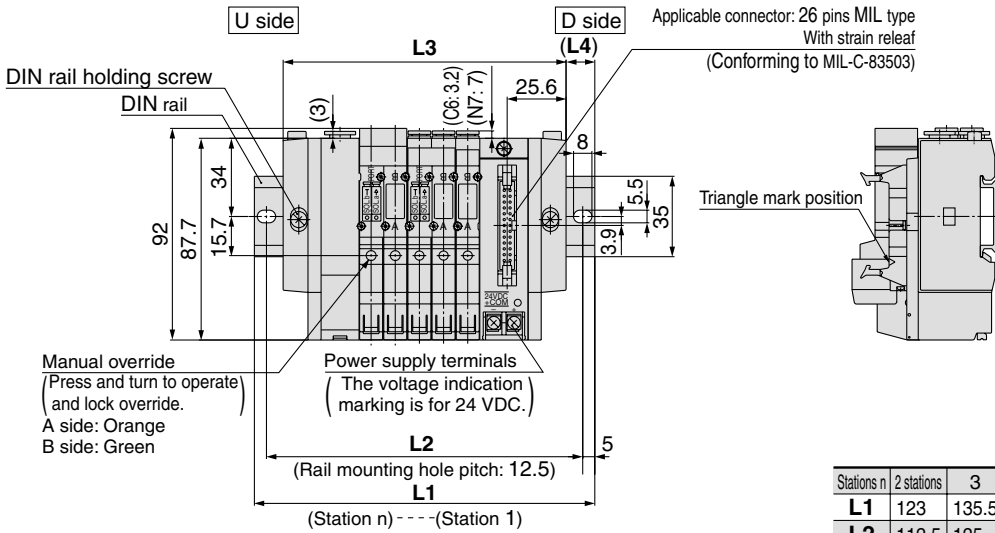
SY3000: Flat Ribbon Cable/Plug-in

SS5Y3-45PD- Stations U- C4, N3 C6, N7 (26 pins)



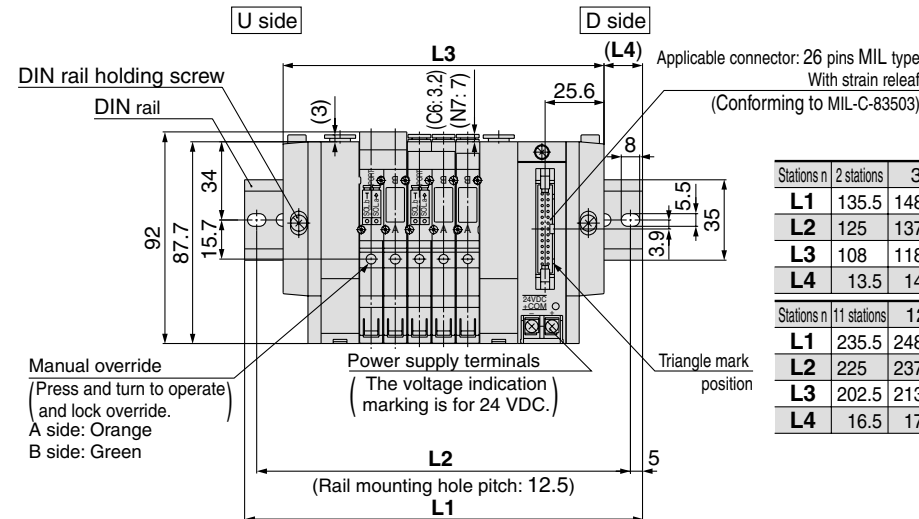
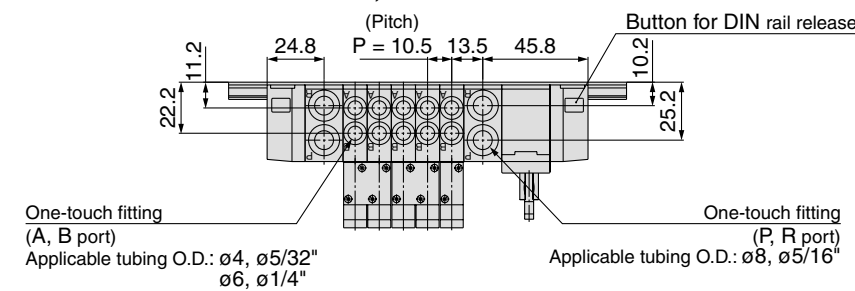
Note) The L1 to L4 dimensions of SS5Y3-45PD- Stations D- C4, N3 C6, N7 are identical to those of SS5Y3-45PD- Stations U- C4, N3 C6, N7.

- SV
- SZ
- SY
- SYJ
- SX



Stations n	2 stations	3	4	5	6	7	8	9	10 stations
L1	123	135.5	148	148	160.5	173	185.5	198	210.5
L2	112.5	125	137.5	137.5	150	162.5	175	187.5	200
L3	91.5	102	112.5	123	133.5	144	154.5	165	175.5
L4	15.5	16.5	17.5	12.5	13.5	14.5	15.5	16.5	17.5

SS5Y3-45PD- Stations B- C4, N3 C6, N7 (26 pins)

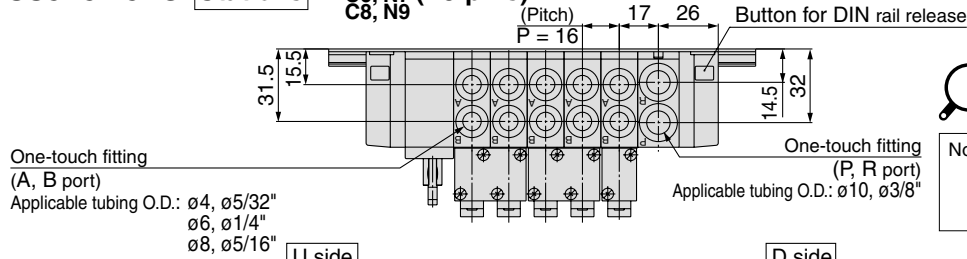


Stations n	2 stations	3	4	5	6	7	8	9	10 stations
L1	135.5	148	160.5	173	185.5	185.5	198	210.5	223
L2	125	137.5	150	162.5	175	175	187.5	200	212.5
L3	108	118.5	129	139.5	150	160.5	171	181.5	192
L4	13.5	14.5	15.5	16.5	17.5	12.5	13.5	14.5	15.5

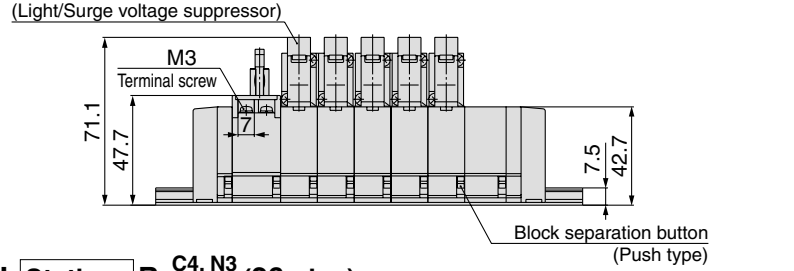
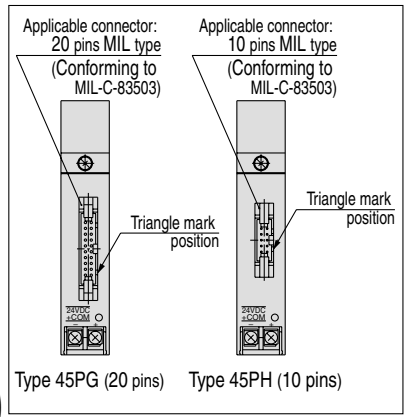
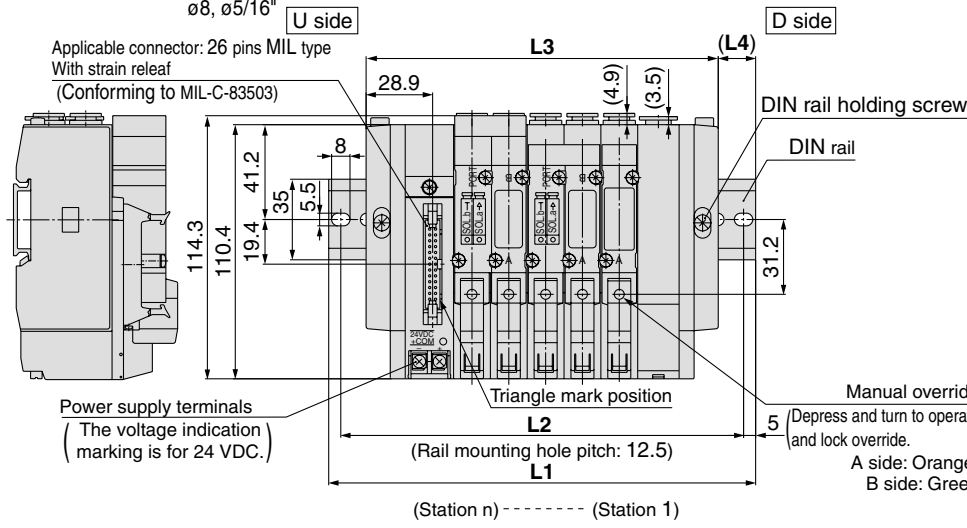
Stations n	11 stations	12	13	14	15	16	17	18	19	20 stations
L1	235.5	248	248	260.5	273	285.5	298	310.5	310.5	323
L2	225	237.5	237.5	250	262.5	275	287.5	300	300	312.5
L3	202.5	213	223.5	234	244.5	255	265.5	276	286.5	297
L4	16.5	17.5	12	13	14	15	16	17	12	13

SY5000: Flat Ribbon Cable/Plug-in

SS5Y5-45PU- Stations D-C4, N3, C6, N7, C8, N9 (26 pins)

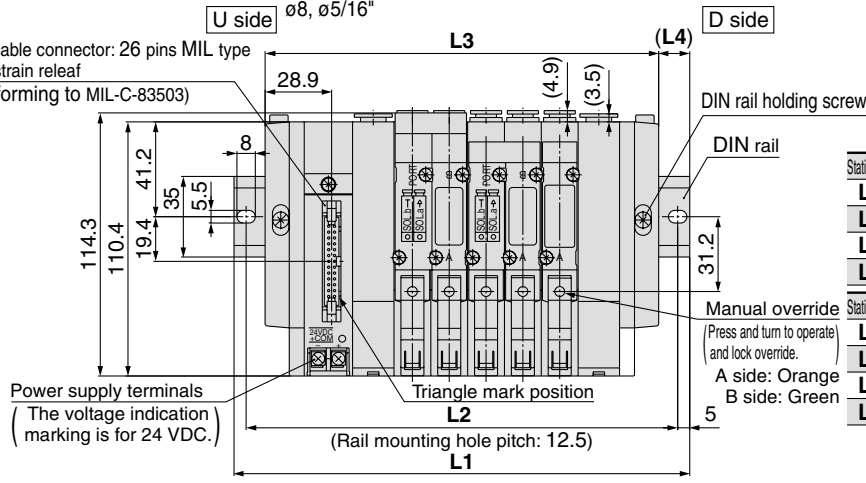
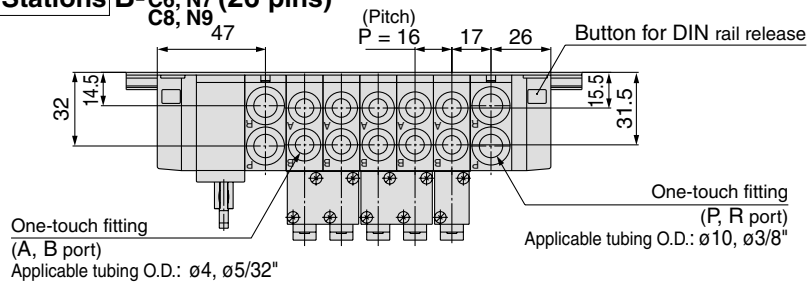


Note) The L1 to L4 dimensions of SS5Y5-45P□U- Stations U-C4, N3, C6, N7, C8, N9 are identical to those of SS5Y5-45P□U- Stations D-C4, N3, C6, N7, C8, N9.



Stations n	2 stations	3	4	5	6	7	8	9	10 stations
L1	135.5	148	160.5	185.5	198	210.5	235.5	248	260.5
L2	125	137.5	150	175	187.5	200	225	237.5	250
L3	105	121	137	153	169	185	201	217	233
L4	15	13.5	11.5	16	14.5	12.5	17	15.5	13.5

SS5Y5-45PU- Stations B-C4, N3, C6, N7, C8, N9 (26 pins)

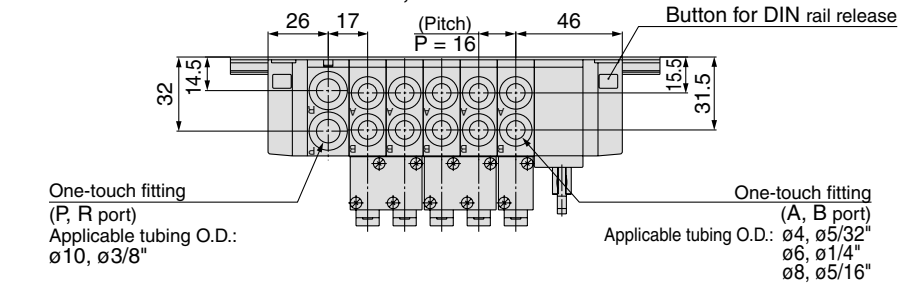


Stations n	2 stations	3	4	5	6	7	8	9	10 stations
L1	148	173	185.5	198	210.5	235.5	248	260.5	285.5
L2	137.5	162.5	175	187.5	200	225	237.5	250	275
L3	123	139	155	171	187	203	219	235	251
L4	12.5	17	15	13.5	11.5	16	14.5	12.5	17

Stations n	11 stations	12	13	14	15	16	17	18	19	20 stations
L1	298	310.5	323	348	360.5	373	398	410.5	423	435.5
L2	287.5	300	312.5	337.5	350	362.5	387.5	400	412.5	425
L3	267	283	299	315	331	347	363	379	395	411
L4	15.5	13.5	12	16.5	14.5	13	17.5	15.5	14	12

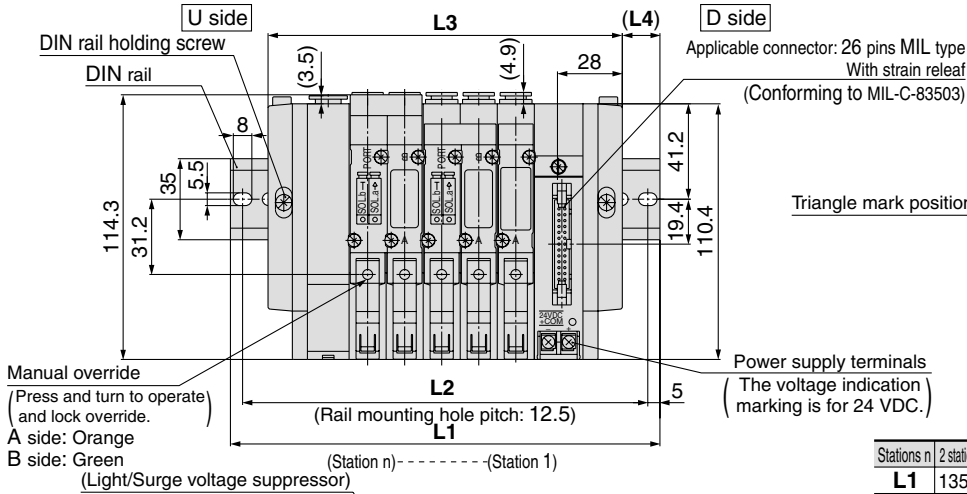
SY5000: Flat Ribbon Cable/Plug-in

SS5Y5-45PD- Stations U-^{C4, N3}_{C6, N7} (26 pins)

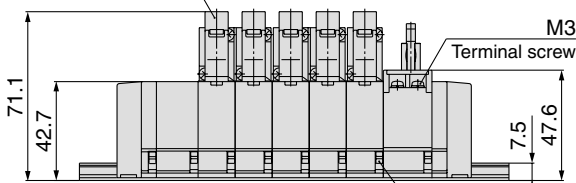


Note) The L1 to L4 dimensions of SS5Y5-45P□D- Stations D-^{C4, N3}_{C6, N7} are identical to those of SS5Y3-45P□D- Stations U-^{C4, N3}_{C6, N7}

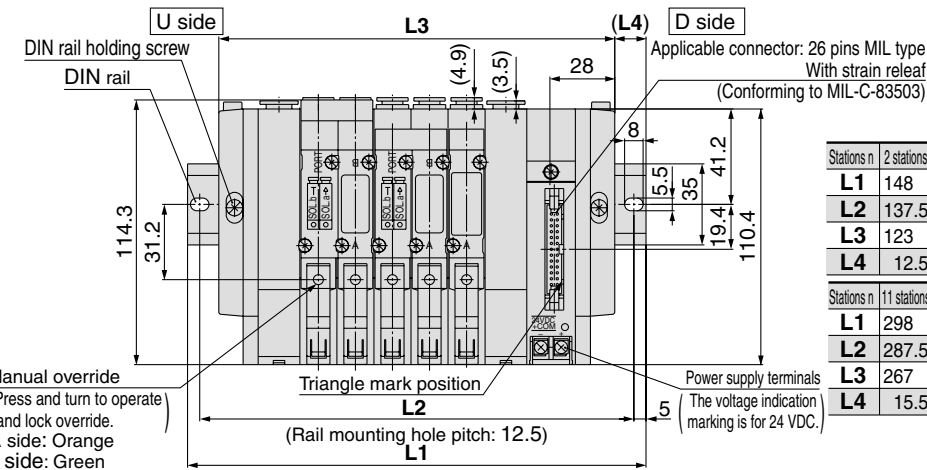
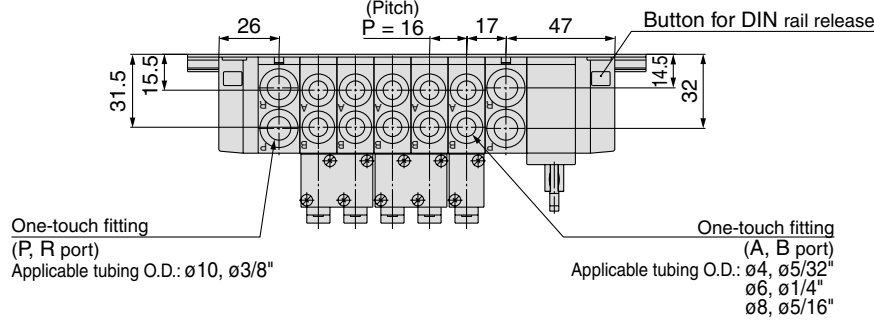
- SV
- SZ
- SY
- SYJ
- SX



Stations n	2 stations	3	4	5	6	7	8	9	10 stations
L1	135.5	148	160.5	185.5	198	210.5	235.5	248	260.5
L2	125	137.5	150	175	187.5	200	225	237.5	250
L3	105	121	137	153	169	185	201	217	233
L4	15	13.5	11.5	16	14.5	12.5	17	15.5	13.5



SS5Y5-45PD- Stations B-^{C4, N3}_{C6, N7} (26 pins)

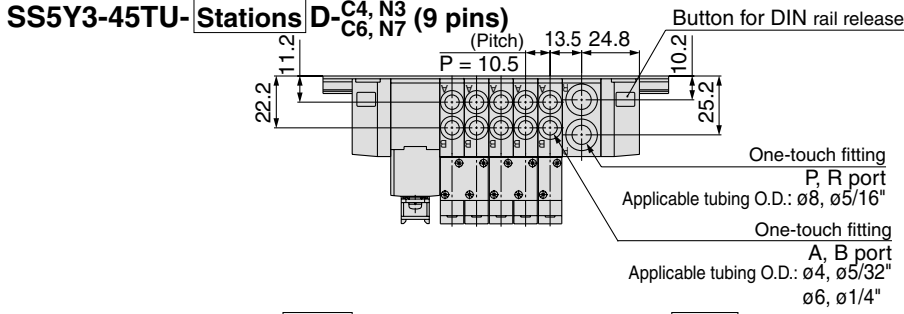


Stations n	2 stations	3	4	5	6	7	8	9	10 stations
L1	148	173	185.5	198	210.5	235.5	248	260.5	285.5
L2	137.5	162.5	175	187.5	200	225	237.5	250	275
L3	123	139	155	171	187	203	219	235	251
L4	12.5	17	15	13.5	11.5	16	14.5	12.5	17

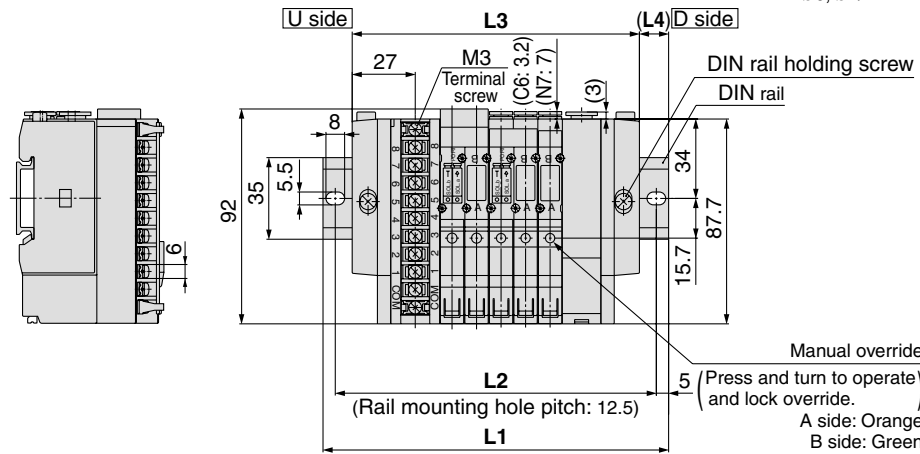
Stations n	11 stations	12	13	14	15	16	17	18	19	20 stations
L1	298	310.5	323	348	360.5	373	398	410.5	423	435.5
L2	287.5	300	312.5	337.5	350	362.5	387.5	400	412.5	425
L3	267	283	299	315	331	347	363	379	395	411
L4	15.5	13.5	12	16.5	14.5	13	17.5	15.5	14	12

SY3000: 9 Pins Terminal Block/Plug-in

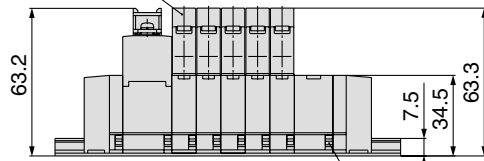
SS5Y3-45TU- Stations D-C₄, N₃ C₆, N₇ (9 pins)



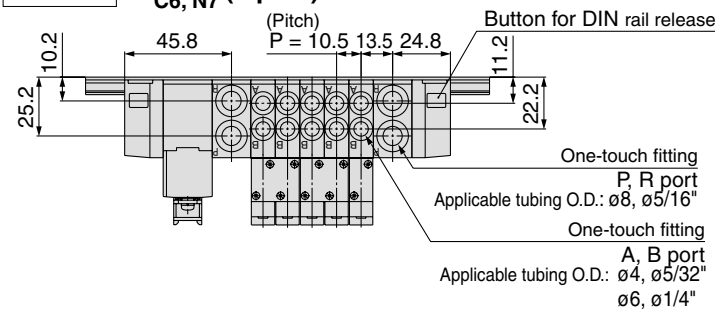
Note) The L1 to L4 dimensions of **SS5Y3-45TU- Stations U-C₄, N₃ C₆, N₇**, **SS5Y3-45TD- Stations U-C₄, N₃ C₆, N₇**, **SS5Y3-45TD- Stations D-C₄, N₃ C₆, N₇** are identical those of SS5Y3-45TU- Stations D-C₄, N₃ C₆, N₇.



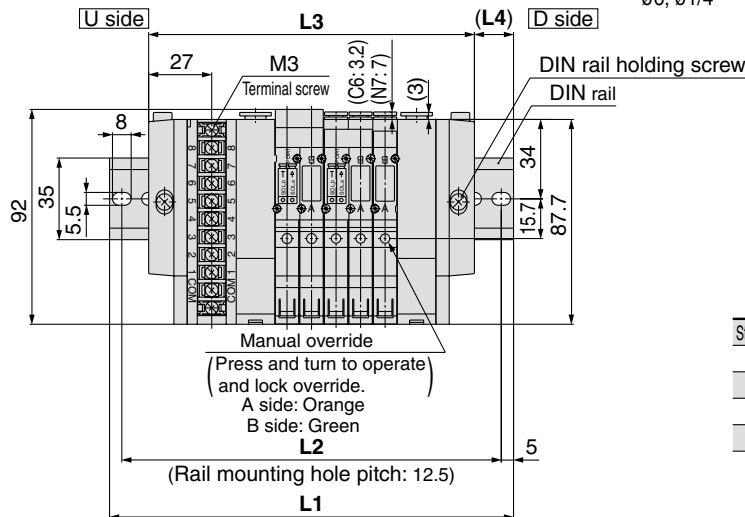
(Light/Surge voltage suppressor) (Station n) - - - (Station 1)



SS5Y3-45TU- Stations B-C₄, N₃ C₆, N₇ (9 pins)



Note) The L1 to L4 dimensions of **SS5Y3-45TD- Stations B-C₄, N₃ C₆, N₇** are identical to those of SS5Y3-45TU- Stations B-C₄, N₃ C₆, N₇.

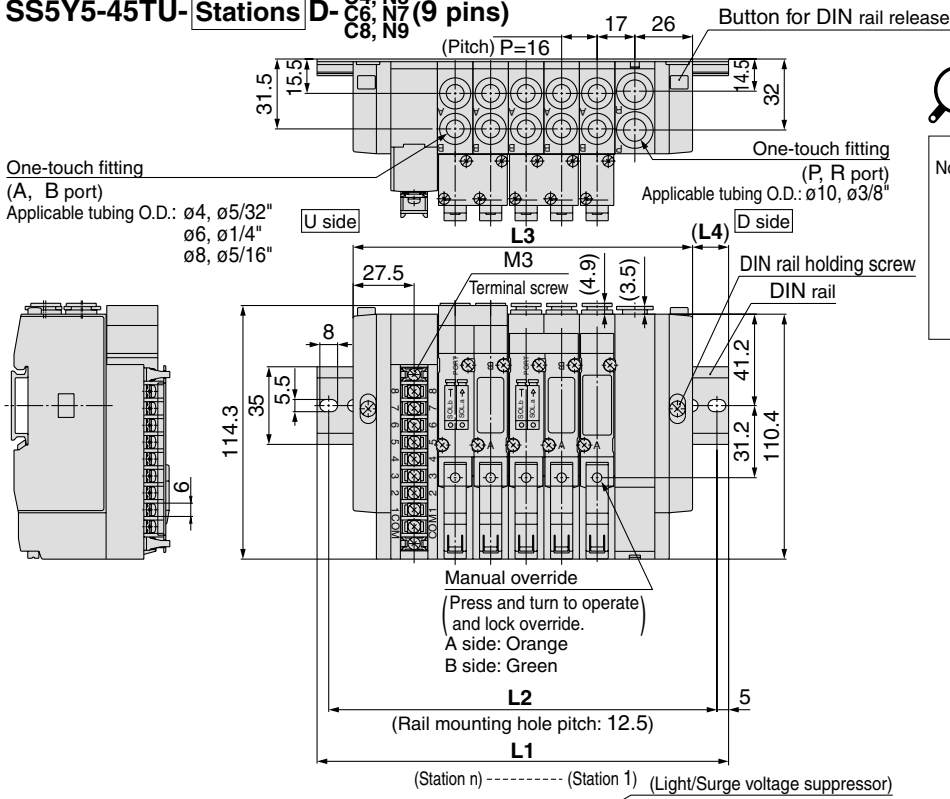


Stations n	2 stations	3	4	5	6	7	8 stations
L1	123	135.5	148	148	160.5	173	185.5
L2	112.5	125	137.5	137.5	150	162.5	175
L3	91.5	102	112.5	123	133.5	144	154.5
L4	15.5	16.5	17.5	12.5	13.5	14.5	15.5

Stations n	2 stations	3	4	5	6	7	8 stations
L1	135.5	148	160.5	173	185.5	185.5	198
L2	125	137.5	150	162.5	175	175	187.5
L3	108	118.5	129	139.5	150	160.5	171
L4	13.5	14.5	15.5	16.5	17.5	12.5	13.5

SY5000: 9 Pins Terminal Block/Plug-in

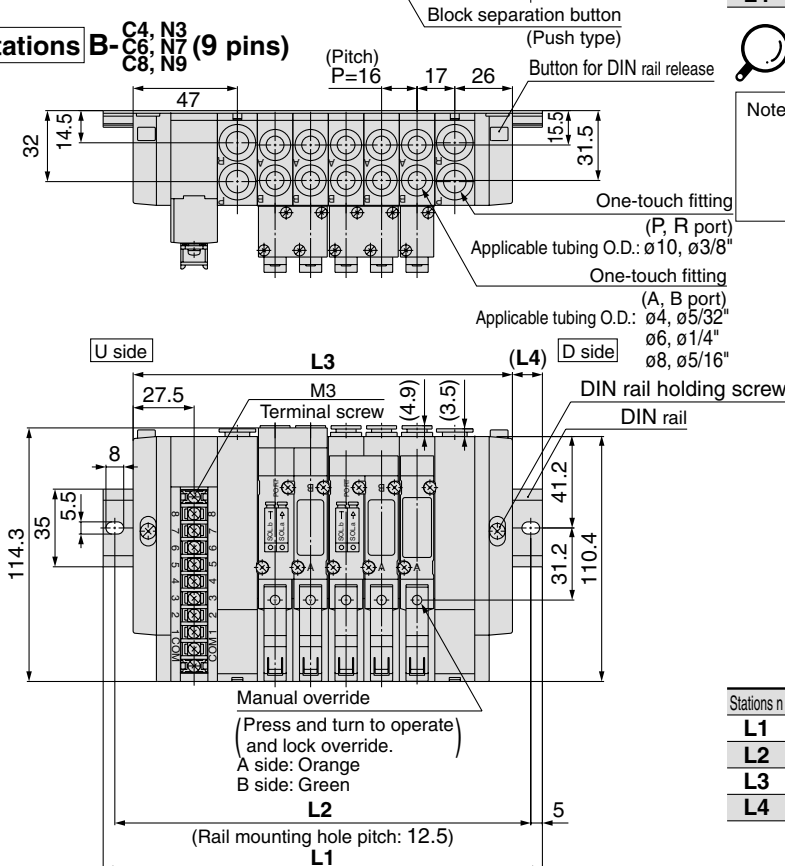
SS5Y5-45TU- Stations D-C₄, N₃, C₆, N₇, C₈, N₉ (9 pins)



Note) The L1 to L4 dimensions of SS5Y5-45TU- Stations U-C₄, N₃, C₆, N₇, C₈, N₉, SS5Y5-45TD- Stations U-C₄, N₃, C₆, N₇, C₈, N₉ are identical those of SS5Y5-45TU- Stations D-C₄, N₃, C₆, N₇, C₈, N₉

Stations n	2 stations	3	4	5	6	7	8 stations
L1	135.5	148	160.5	185.5	198	210.5	235.5
L2	125	137.5	150	175	187.5	200	225
L3	105	121	137	153	169	185	201
L4	15	13.5	11.5	16	14.5	12.5	17

SS5Y5-45TU- Stations B-C₄, N₃, C₆, N₇, C₈, N₉ (9 pins)



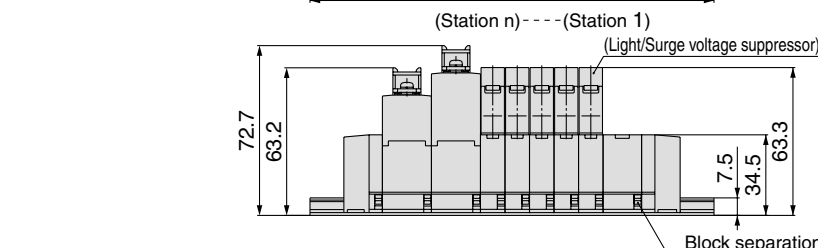
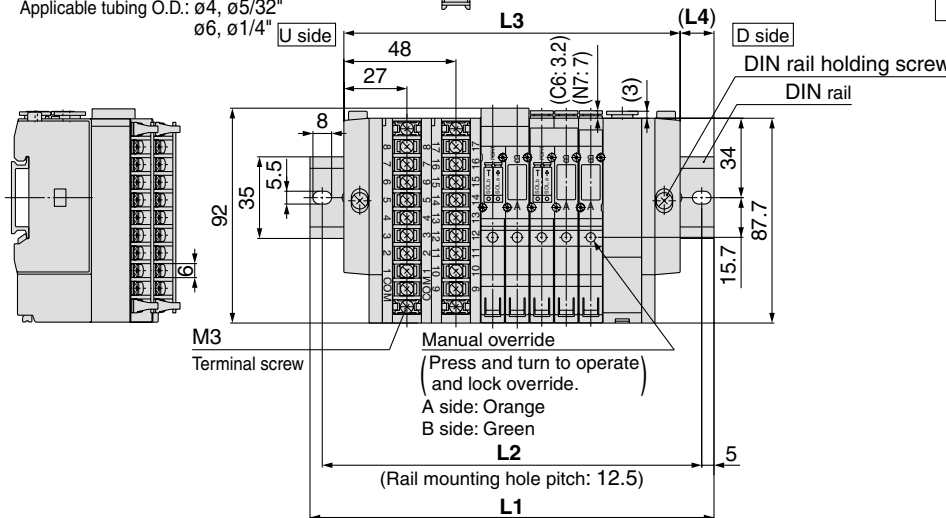
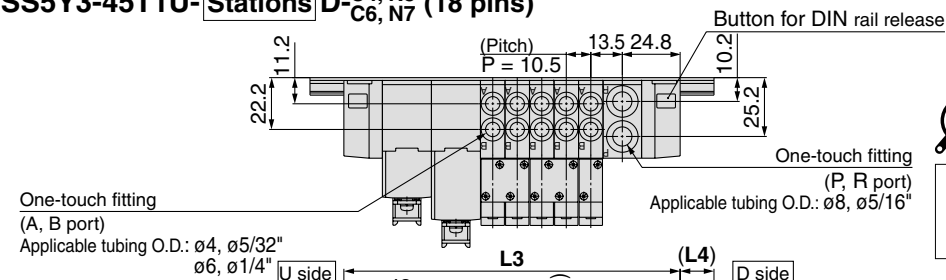
Note) The L1 to L4 dimensions of SS5Y5-45TD- Stations B-C₄, N₃, C₆, N₇, C₈, N₉ are identical to those of SS5Y5-45TU- Stations B-C₄, N₃, C₆, N₇, C₈, N₉

Stations n	2 stations	3	4	5	6	7	8 stations
L1	148	173	185.5	198	210.5	235.5	248
L2	137.5	162.5	175	187.5	200	225	237.5
L3	123	139	155	171	187	203	219
L4	12.5	17	15	13.5	11.5	16	14.5

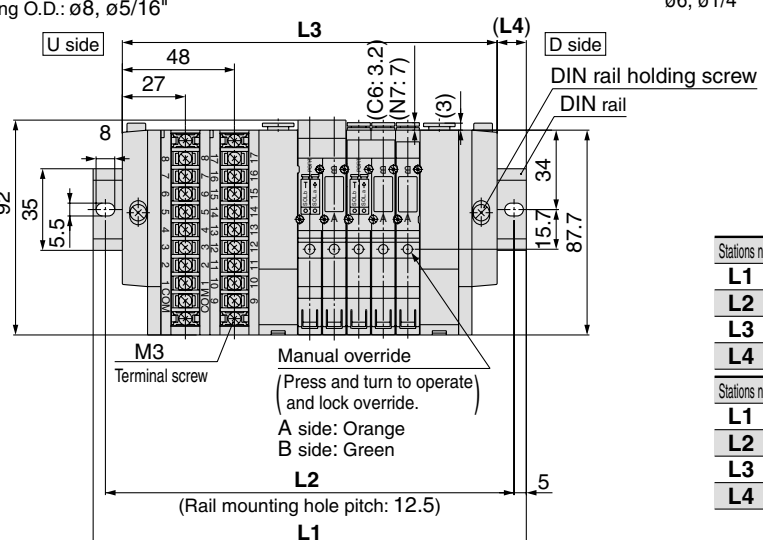
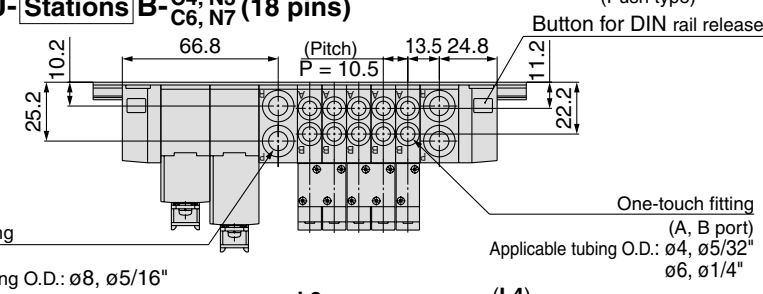
- SV
- SZ
- SY
- SYJ
- SX

SY3000: 18 Pins Terminal Block/Plug-in

**SS5Y3-45T1U- Stations D-C4, N3
C6, N7 (18 pins)**



**SS5Y3-45T1U- Stations B-C4, N3
C6, N7 (18 pins)**



Note) The L1 to L4 dimensions of SS5Y3-45T1U- Stations U-C4, N3 C6, N7 are identical to those of SS5Y3-45T1U- Stations D-C4, N3 C6, N7.

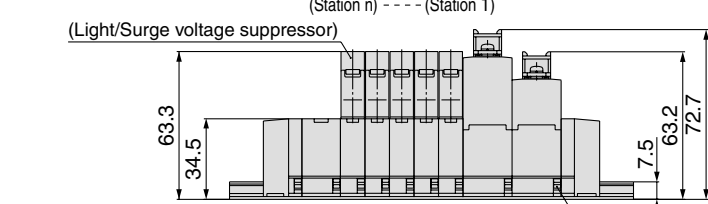
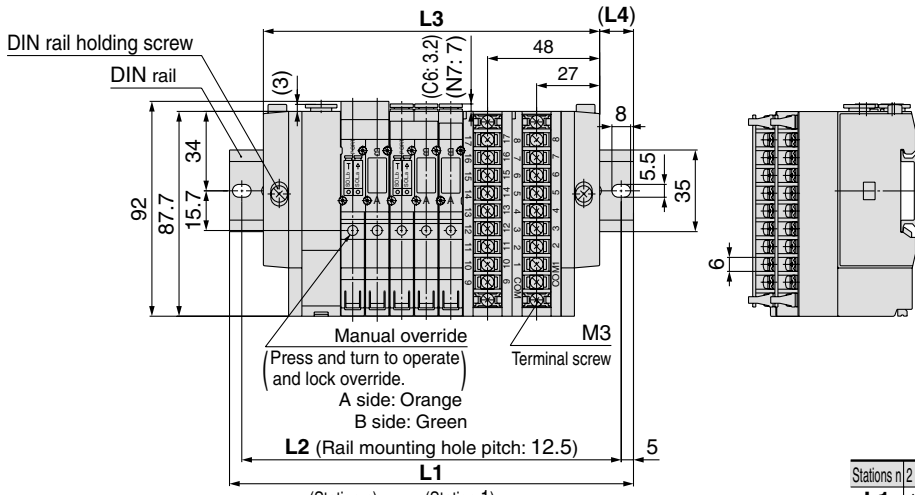
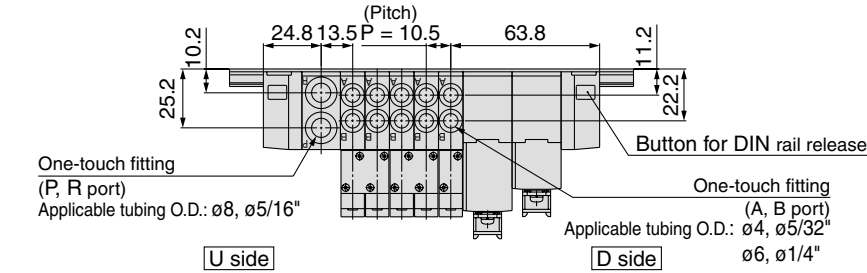
Stations n	2 stations	3	4	5	6	7	8	9	10 stations
L1	148	148	160.5	173	185.5	198	210.5	210.5	223
L2	137.5	137.5	150	162.5	175	187.5	200	200	212.5
L3	112.5	123	133.5	144	154.5	165	175.5	186	196.5
L4	17.5	12.5	13.5	14.5	15.5	16.5	17.5	12	13

Stations n	2 stations	3	4	5	6	7	8	9 stations
L1	160.5	173	185.5	185.5	198	210.5	223	235.5
L2	150	162.5	175	175	187.5	200	212.5	225
L3	129	139.5	150	160.5	171	181.5	192	202.5
L4	15.5	16.5	17.5	12.5	13.5	14.5	15.5	16.5

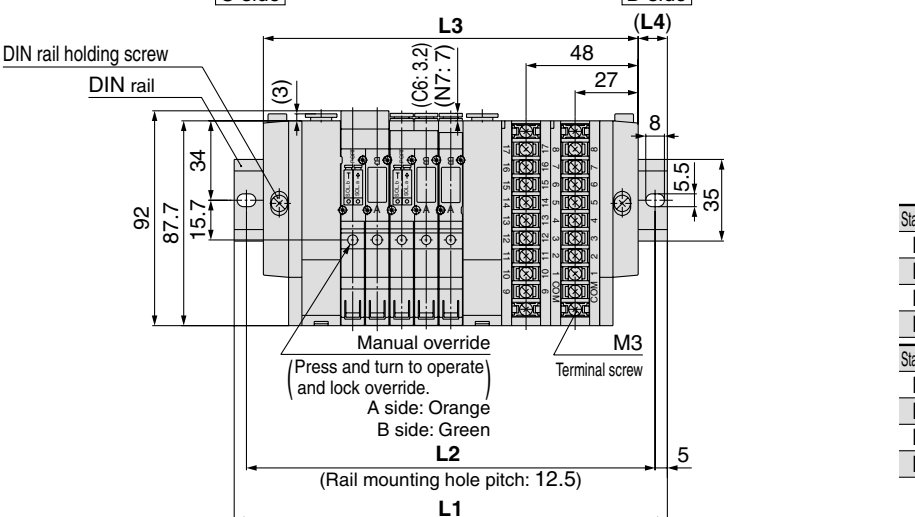
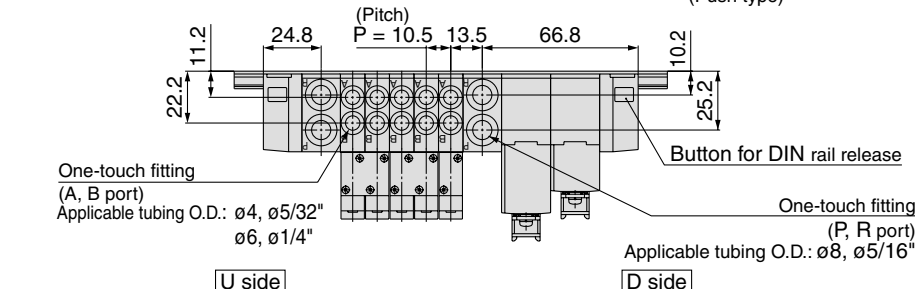
Stations n	10 stations	11	12	13	14	15	16	17 stations
L1	248	248	260.5	273	285.5	298	310.5	310.5
L2	237.5	237.5	250	262.5	275	287.5	300	300
L3	213	223.5	234	244.5	255	265.5	276	286.5
L4	17.5	12	13	14	15	16	17	12

SY3000: 9 Pins Terminal Block/Plug-in

SS5Y3-45T1D- Stations U-^{C4, N3}_{C6, N7} (18 pins)



SS5Y3-45T1D- Stations B-^{C4, N3}_{C6, N7} (18 pins)



Note) The L1 to L4 dimensions of SS5Y3-45T1D- Stations D-^{C4, N3}_{C6, N7} are identical to those of SS5Y3-45T1D- Stations U-^{C4, N3}_{C6, N7}.

- SV
- SZ
- SY
- SYJ
- SX

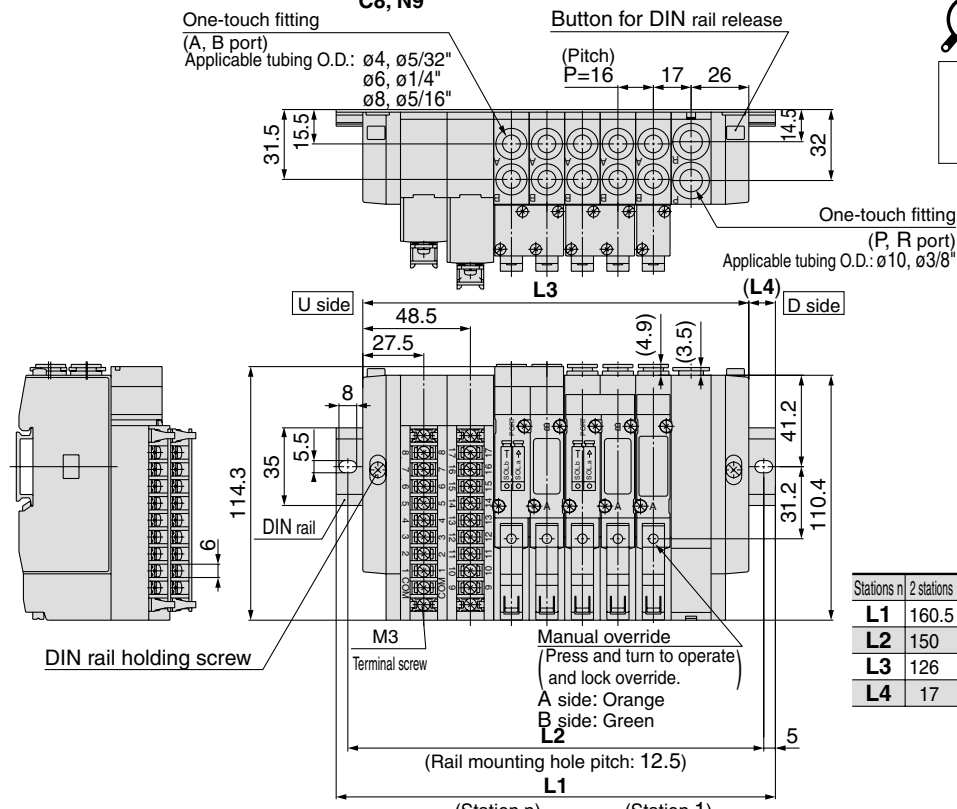
Stations n	2 stations	3	4	5	6	7	8	9	10 stations
L1	148	148	160.5	173	185.5	198	210.5	210.5	223
L2	137.5	137.5	150	162.5	175	187.5	200	200	212.5
L3	112.5	123	133.5	144	154.5	165	175.5	186	196.5
L4	17.5	12.5	13.5	14.5	15.5	16.5	17.5	12	13

Stations n	2 stations	3	4	5	6	7	8	9 stations
L1	160.5	173	185.5	185.5	198	210.5	223	235.5
L2	150	162.5	175	175	187.5	200	212.5	225
L3	129	139.5	150	160.5	171	181.5	192	202.5
L4	15.5	16.5	17.5	12.5	13.5	14.5	15.5	16.5

Stations n	10 stations	11	12	13	14	15	16	17 stations
L1	248	248	260.5	273	285.5	298	310.5	310.5
L2	237.5	237.5	250	262.5	275	287.5	300	300
L3	213	223.5	234	244.5	255	265.5	276	286.5
L4	17.5	12	13	14	15	16	17	12

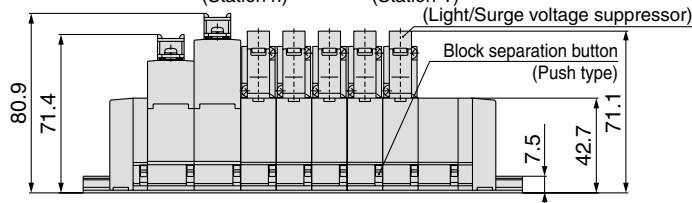
SY5000: 18 Pins Terminal Block/Plug-in

SS5Y5-45T1U- Stations D-^{C4, N3}_{C6, N7} (18 pins)

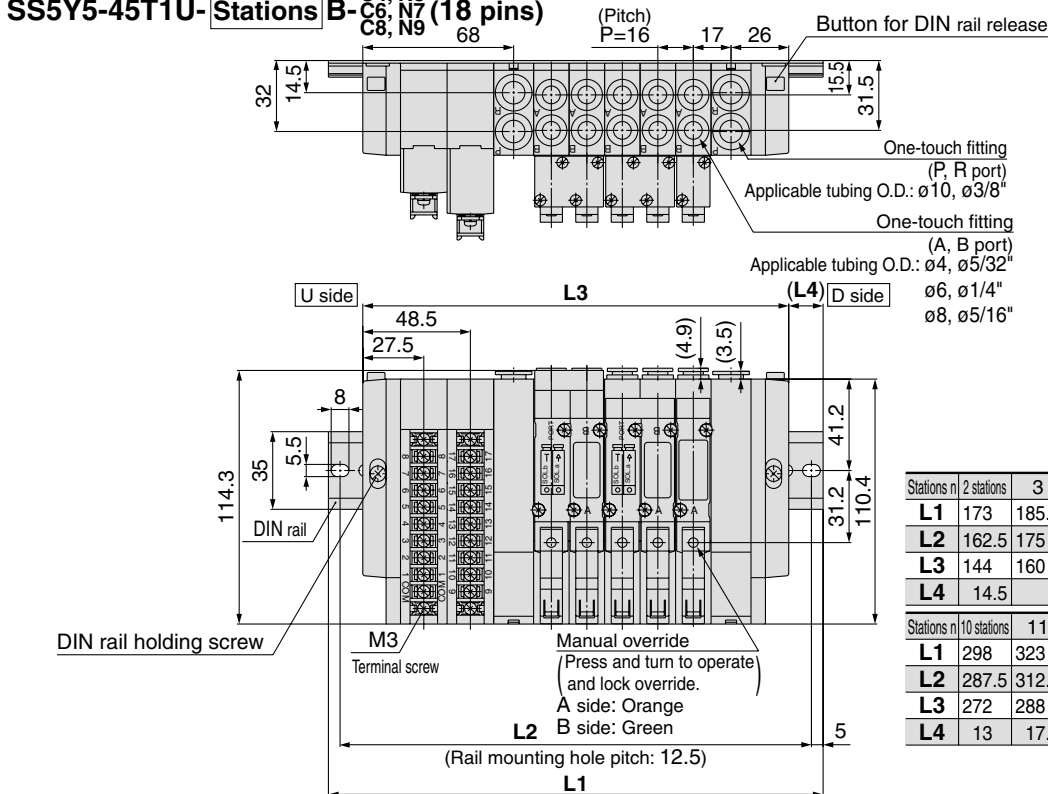


Note) The L1 to L4 dimensions of SS5Y5-45T1U-^{C4, N3}_{C6, N7} Stations U- are identical to those of SS5Y5-45T1U-^{C4, N3}_{C6, N7} Stations D-.

Stations n	2 stations	3	4	5	6	7	8	9	10 stations
L1	160.5	173	185.5	198	223	235.5	248	273	285.5
L2	150	162.5	175	187.5	212.5	225	237.5	262.5	275
L3	126	142	158	174	190	206	222	238	254
L4	17	15.5	13.5	12	16.5	14.5	13	17.5	15.5



SS5Y5-45T1U- Stations B-^{C4, N3}_{C6, N7} (18 pins)

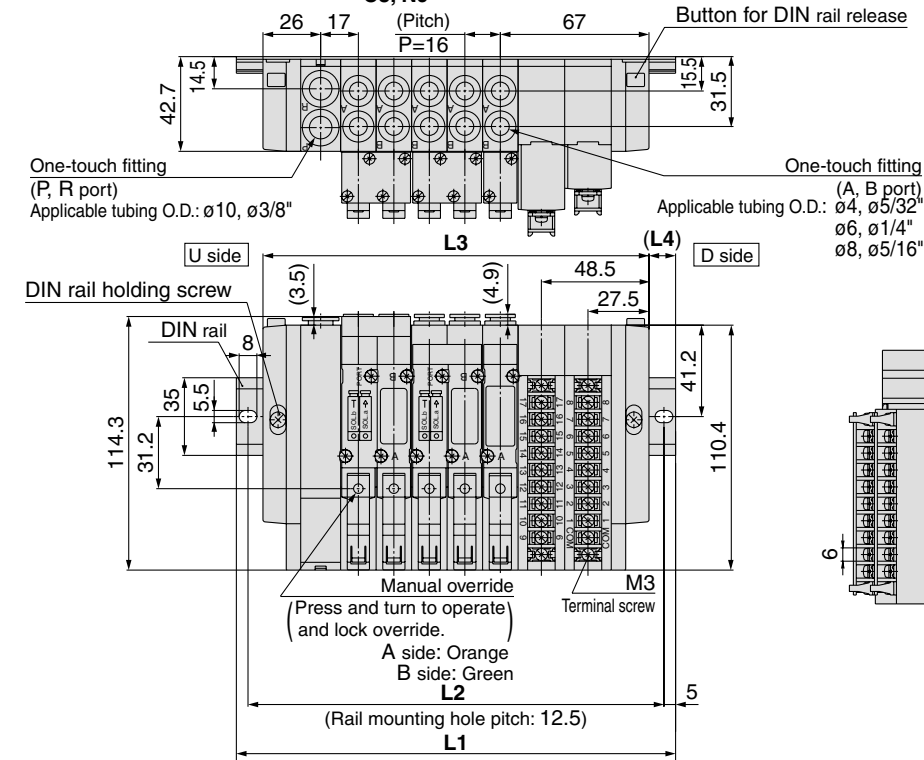


Stations n	2 stations	3	4	5	6	7	8	9 stations
L1	173	185.5	210.5	223	235.5	248	273	285.5
L2	162.5	175	200	212.5	225	237.5	262.5	275
L3	144	160	176	192	208	224	240	256
L4	14.5	17	15.5	13.5	12	16.5	14.5	

Stations n	10 stations	11	12	13	14	15	16	17 stations
L1	298	323	335.5	348	360.5	385.5	398	410.5
L2	287.5	312.5	325	337.5	350	375	387.5	400
L3	272	288	304	320	336	352	368	384
L4	13	17.5	15.5	14	12	16.5	15	13

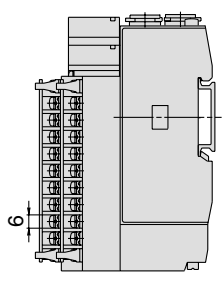
SY5000: 18 Pins Terminal Block/Plug-in

SS5Y5-45T1D- Stations U-C₄, N₃-C₆, N₇ (18 pins)
C₈, N₉



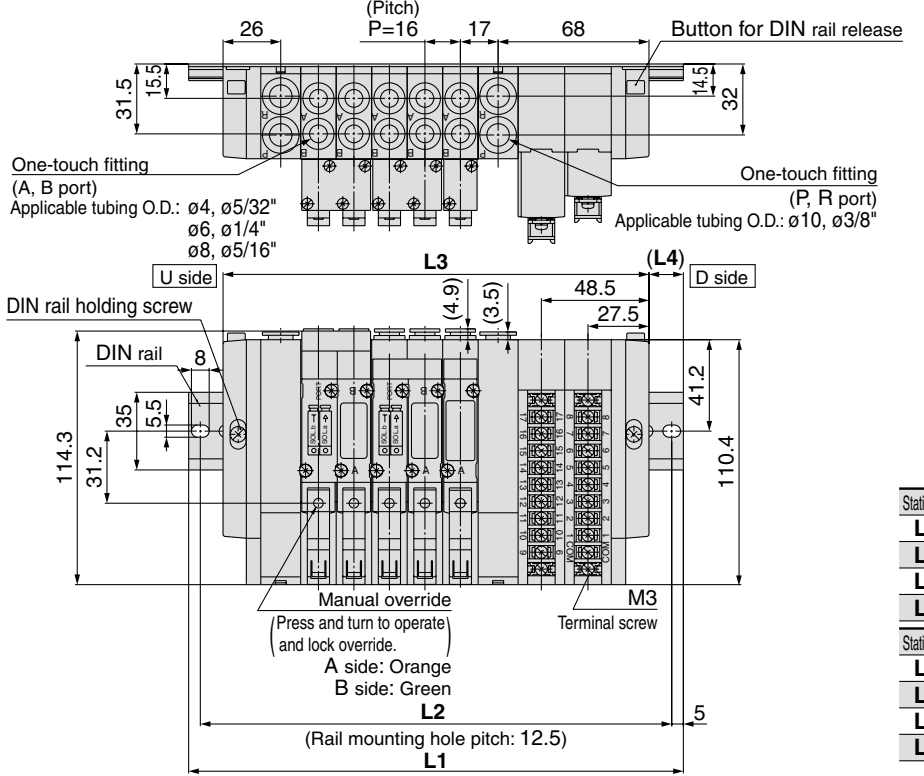
Note) The L1 to L4 dimensions of SS5Y5-45T1D- Stations D-C₄, N₃-C₆, N₇ are identical to those of SS5Y5-45T1D- Stations U-C₄, N₃-C₆, N₇.

- SV
- SZ
- SY
- SYJ
- SX



Stations n	2 stations	3	4	5	6	7	8	9	10 stations
L1	160.5	173	185.5	198	223	235.5	248	273	285.5
L2	150	162.5	175	187.5	212.5	225	237.5	262.5	275
L3	126	142	158	174	190	206	222	238	254
L4	17	15.5	13.5	12	16.5	14.5	13	17.5	15.5

SS5Y5-45T1D- Stations B-C₄, N₃-C₆, N₇ (18 pins)
C₈, N₉

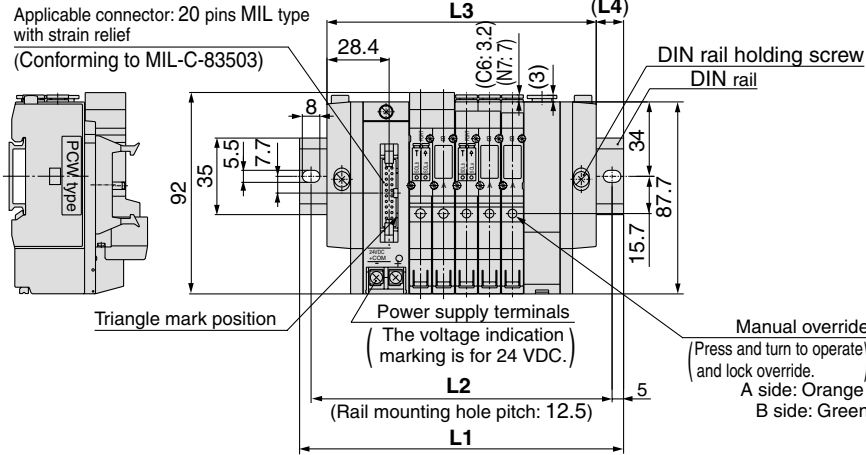
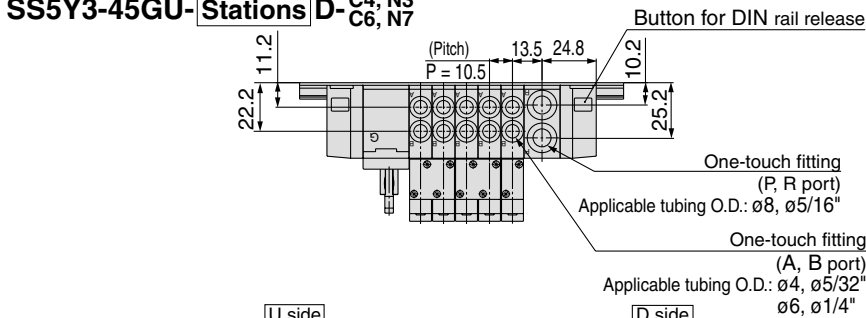


Stations n	2 stations	3	4	5	6	7	8	9 stations
L1	173	185.5	210.5	223	235.5	248	273	285.5
L2	162.5	175	200	212.5	225	237.5	262.5	275
L3	144	160	176	192	208	224	240	256
L4	14.5	12.5	17	15.5	13.5	12	16.5	14.5

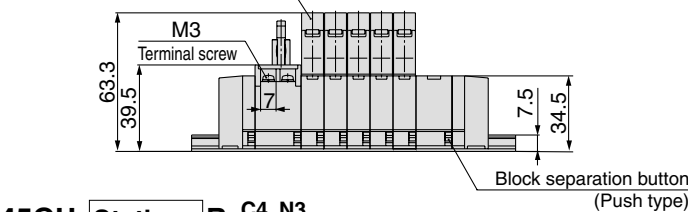
Stations n	10 stations	11	12	13	14	15	16	17 stations
L1	298	323	335.5	348	360.5	385.5	398	410.5
L2	287.5	312.5	325	337.5	350	375	387.5	400
L3	272	288	304	320	336	352	368	384
L4	13	17.5	15.5	14	12	16.5	15	13

SY3000: PC Wiring System Compatible (Flat ribbon cable/Plug-in)

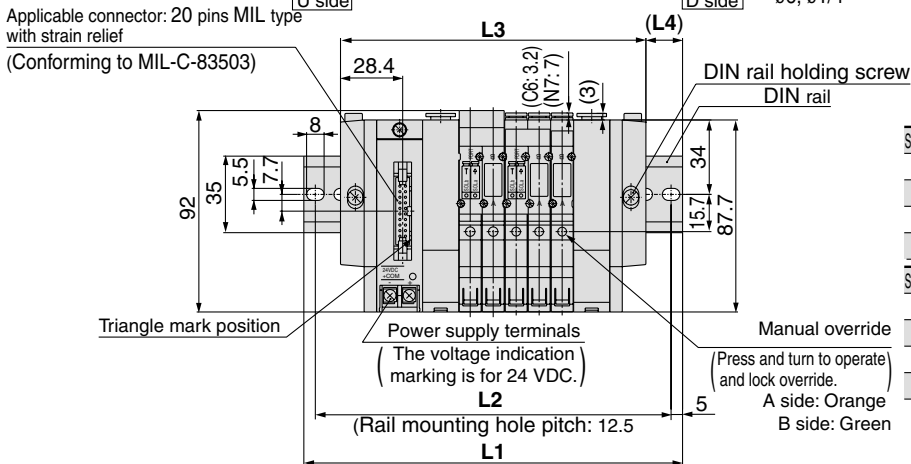
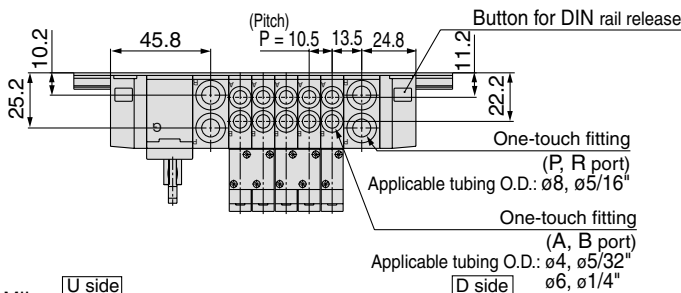
SS5Y3-45GU- Stations D- C4, N3
C6, N7



(Station n) --- (Station 1)
(Light/Surge voltage suppressor)



SS5Y3-45GU- Stations B- C4, N3
C6, N7



Note) The L1 to L4 dimensions of SS5Y3-45GU- Stations U-C4, N3 C6, N7 are identical to those of SS5Y3-45GU- Stations D- C4, N3 C6, N7.

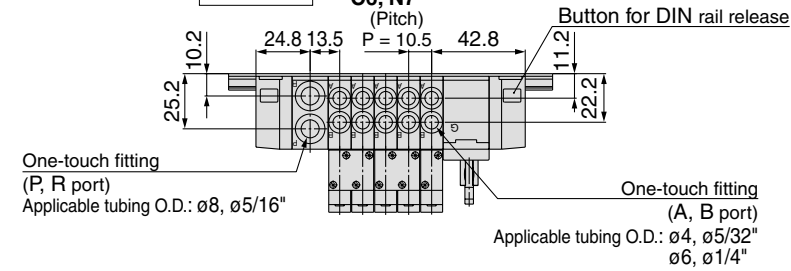
Stations n	2 stations	3	4	5	6	7	8	9	10 stations
L1	123	135.5	148	148	160.5	173	185.5	198	210.5
L2	112.5	125	137.5	137.5	150	162.5	175	187.5	200
L3	91.5	102	112.5	123	133.5	144	154.5	165	175.5
L4	15.5	16.5	17.5	12.5	13.5	14.5	15.5	16.5	17.5

Stations n	2 stations	3	4	5	6	7	8	9	10 stations
L1	135.5	148	160.5	173	185.5	185.5	198	210.5	223
L2	125	137.5	150	162.5	175	175	187.5	200	212.5
L3	108	118.5	129	139.5	150	160.5	171	181.5	192
L4	13.5	14.5	15.5	16.5	17.5	12.5	13.5	14.5	15.5

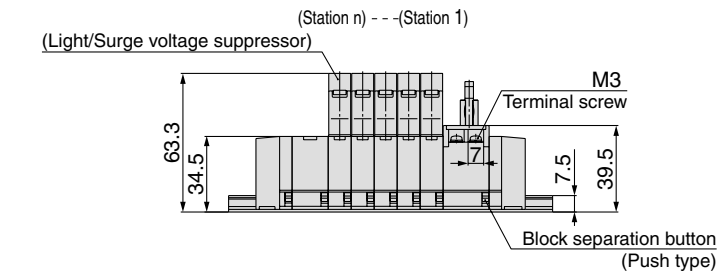
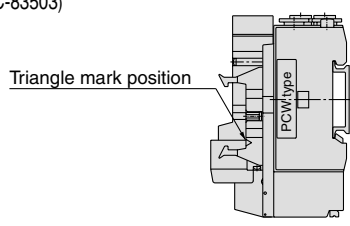
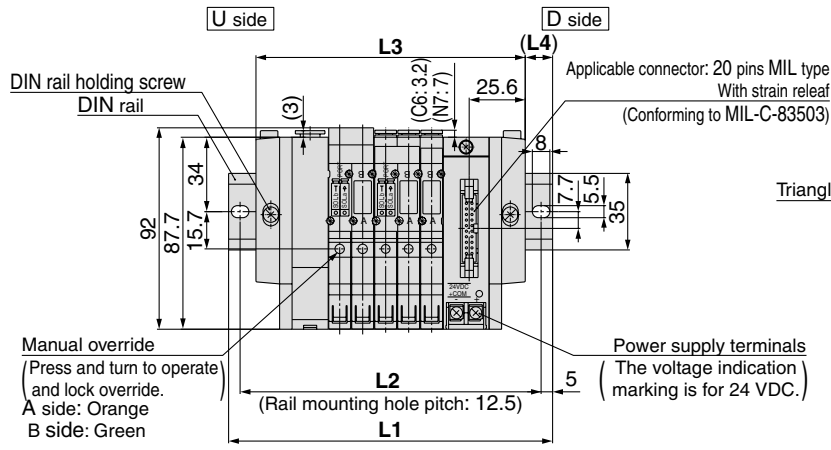
Stations n	11 stations	12	13	14	15	16 stations
L1	235.5	248	248	260.5	273	285.5
L2	225	237.5	237.5	250	262.5	275
L3	202.5	213	223.5	234	244.5	255
L4	16.5	17.5	12	13	14	15

SY3000: PC Wiring System Compatible (Flat ribbon cable/Plug-in)

SS5Y3-45GD- Stations U- C4, N3 C6, N7

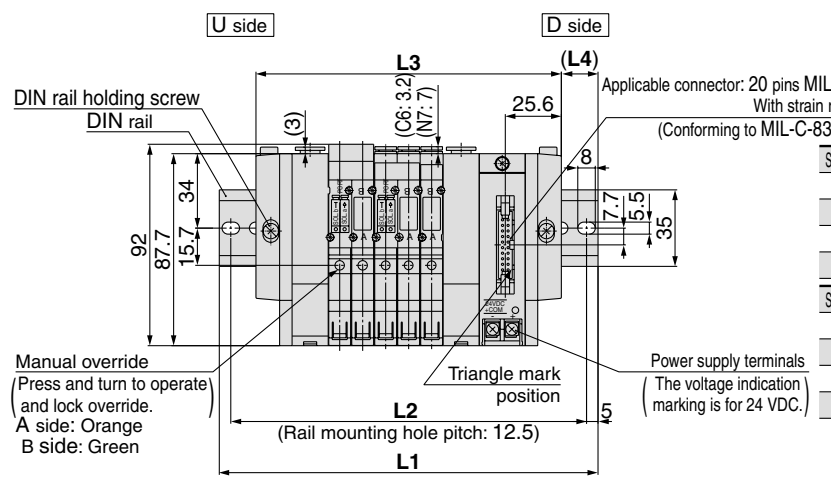
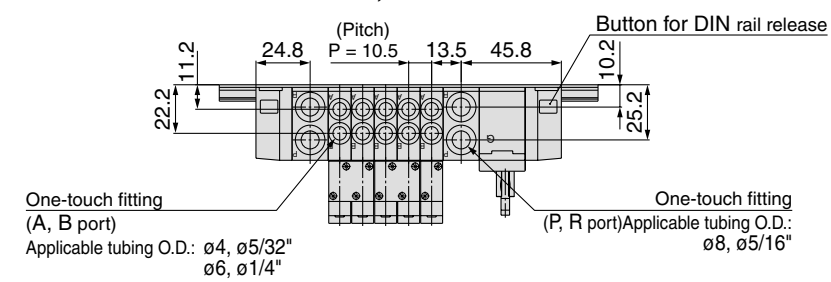


Note) The L1 to L4 dimensions of SS5Y3-45GD- Stations D- C4, N3 C6, N7 are identical to those of SS5Y3-45GD- Stations U- C4, N3 C6, N7.



Stations n	2 stations	3	4	5	6	7	8	9	10 stations
L1	123	135.5	148	148	160.5	173	185.5	198	210.5
L2	112.5	125	137.5	137.5	150	162.5	175	187.5	200
L3	91.5	102	112.5	123	133.5	144	154.5	165	175.5
L4	15.5	16.5	17.5	12.5	13.5	14.5	15.5	16.5	17.5

SS5Y3-45GD- Stations B- C4, N3 C6, N7



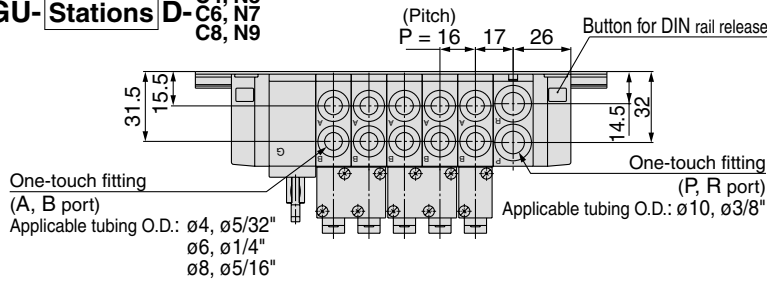
Stations n	2 stations	3	4	5	6	7	8	9	10 stations
L1	135.5	148	160.5	173	185.5	185.5	198	210.5	223
L2	125	137.5	150	162.5	175	175	187.5	200	212.5
L3	108	118.5	129	139.5	150	160.5	171	181.5	192
L4	13.5	14.5	15.5	16.5	17.5	12.5	13.5	14.5	15.5

Stations n	11 stations	12	13	14	15	16 stations
L1	235.5	248	248	260.5	273	285.5
L2	225	237.5	237.5	250	262.5	275
L3	202.5	213	223.5	234	244.5	255
L4	16.5	17.5	12	13	14	15

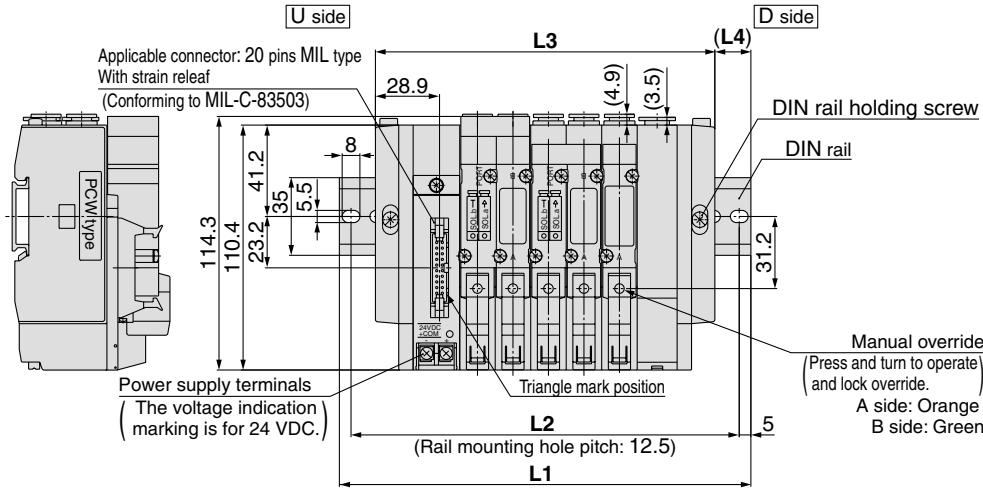
- SV
- SZ
- SY
- SYJ
- SX

SY5000: PC Wiring System Compatible (Flat ribbon cable/Plug-in)

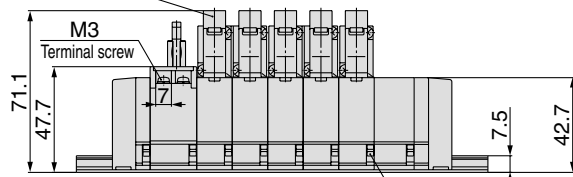
SS5Y5-45GU- Stations D- C4, N3
C6, N7
C8, N9



Note) The L1 to L4 dimensions of SS5Y5-45GU- Stations U-C4, N3, C6, N7, C8, N9 are identical to those of SS5Y5-45GU- Stations D-C4, N3, C6, N7, C8, N9.

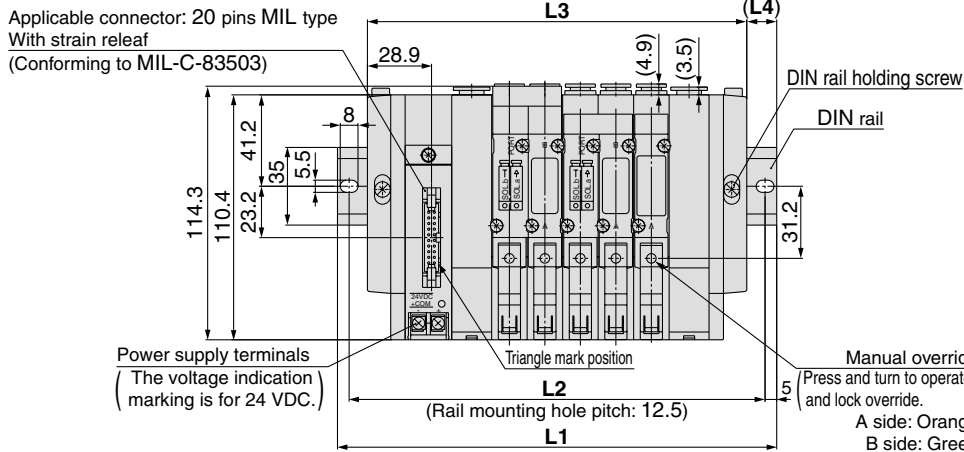
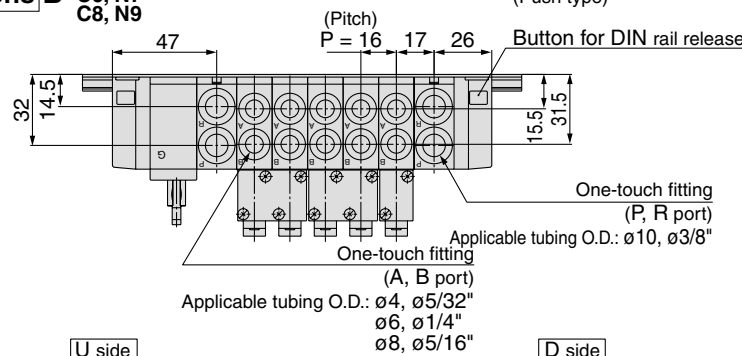


(Light/Surge voltage suppressor) (Station n)----- (Station 1)



Stations n	2 stations	3	4	5	6	7	8	9	10 stations
L1	135.5	148	160.5	185.5	198	210.5	235.5	248	260.5
L2	125	137.5	150	175	187.5	200	225	237.5	250
L3	105	121	137	153	169	185	201	217	233
L4	15	13.5	11.5	16	14.5	12.5	17	15.5	13.5

SS5Y5-45GU- Stations B- C4, N3
C6, N7
C8, N9

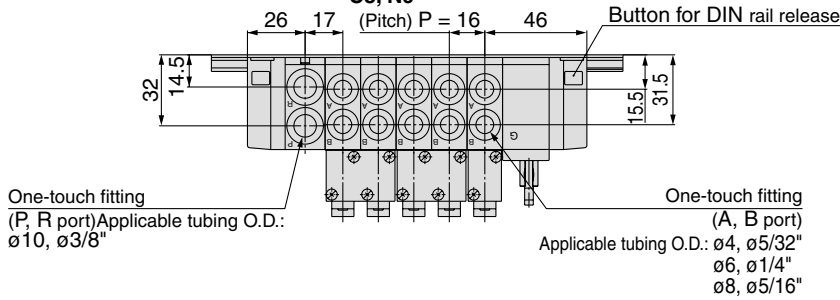


Stations n	2 stations	3	4	5	6	7	8	9	10 stations
L1	148	173	185.5	198	210.5	235.5	248	260.5	285.5
L2	137.5	162.5	175	187.5	200	225	237.5	250	275
L3	123	139	155	171	187	203	219	235	251
L4	12.5	17	15	13.5	11.5	16	14.5	12.5	17

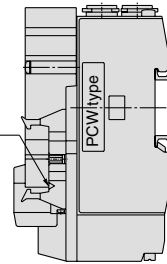
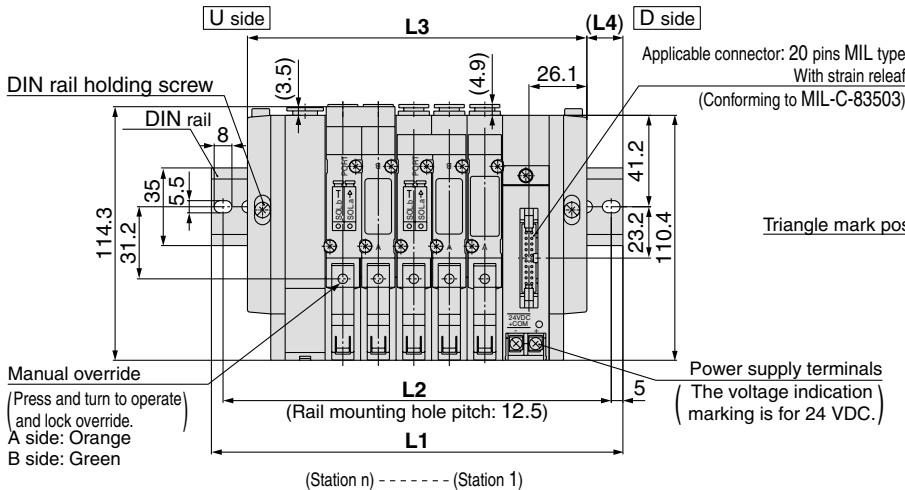
Stations n	11 stations	12	13	14	15	16 stations
L1	298	310.5	323	348	360.5	373
L2	287.5	300	312.5	337.5	350	362.5
L3	267	283	299	315	331	347
L4	15.5	13.5	12	16.5	14.5	13

SY5000: PC Wiring System Compatible (Flat ribbon cable/Plug-in)

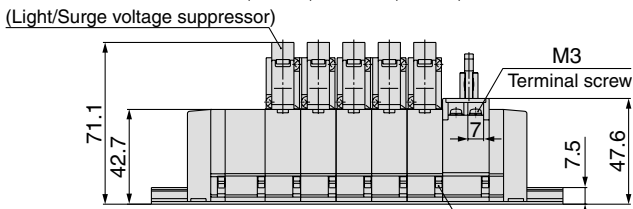
SS5Y5-45GD- Stations U-^{C4, N3} C6, N7 C8, N9



Note) The L1 to L4 dimensions of SS5Y5-45GD- Stations D-^{C4, N3}
C6, N7
C8, N9 are identical to those of SS5Y5-45GD- Stations U-^{C4, N3}
C6, N7
C8, N9

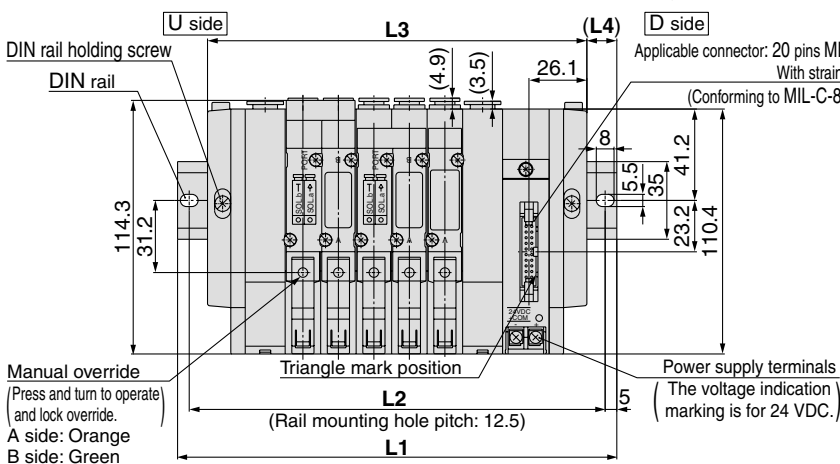
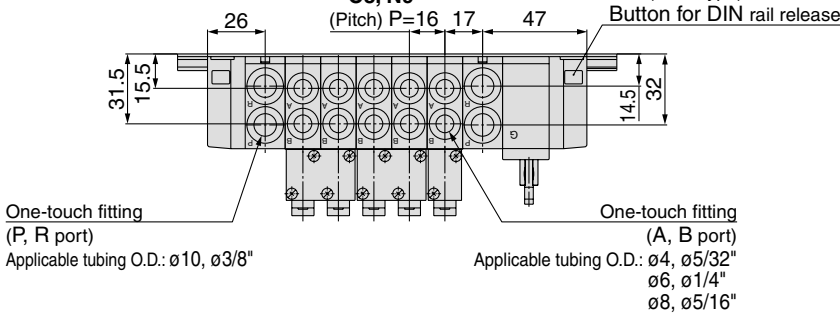


- SV
- SZ
- SY
- SYJ
- SX



Stations n	2 stations	3	4	5	6	7	8	9	10 stations
L1	135.5	148	160.5	185.5	198	210.5	235.5	248	260.5
L2	125	137.5	150	175	187.5	200	225	237.5	250
L3	105	121	137	153	169	185	201	217	233
L4	15	13.5	11.5	16	14.5	12.5	17	15.5	13.5

SS5Y5-45GD- Stations B-^{C4, N3} C6, N7 C8, N9

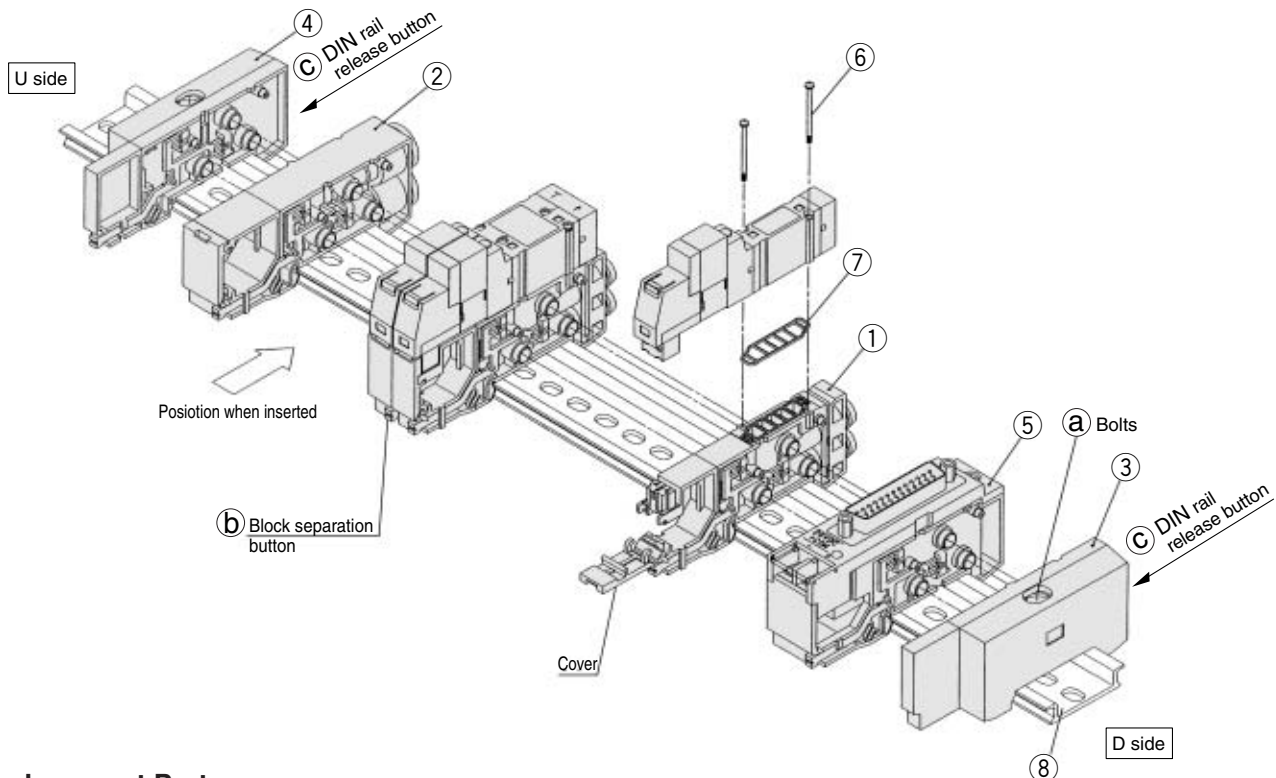


Stations n	2 stations	3	4	5	6	7	8	9	10 stations
L1	148	173	185.5	198	210.5	235.5	248	260.5	285.5
L2	137.5	162.5	175	187.5	200	225	237.5	250	275
L3	123	139	155	171	187	203	219	235	251
L4	12.5	17	15	13.5	11.5	16	14.5	12.5	17

Stations n	11 stations	12	13	14	15	16 stations
L1	298	310.5	323	348	360.5	373
L2	287.5	300	312.5	337.5	350	362.5
L3	267	283	299	315	331	347
L4	15.5	13.5	12	16.5	14.5	13

DIN Rail Manifold Exploded View

Type 45F (D-sub Connector) Manifold



Replacement Parts

No.	Description	Part no.		Note
		SY3000	SY5000	
①	Manifold block assembly	Manifold block assembly part number differs according to an attached lead wire assembly based on the connector spec. Select an appropriate part number from the table of manifold block assembly part number shown below. (Gasket 7 is supplied as an accessory.)		
②	SUP/EXH block assembly	(Metric size) SX3000-51-2A (Inch size) SX3000-51-16A	(Metric size) SX3000-51-2A (Inch size) SX5000-51-16A	Metric size SY3000: P, R port with One-touch fitting for $\phi 8$ SY5000: P, R port with One-touch fitting for $\phi 10$ Inch size With One-touch fitting for $\phi 5/16$ " With One-touch fitting for $\phi 3/8$ "
③	End block assembly	SX3000-52-2A	SX5000-52-2A	For D side
④	End block assembly	SX3000-53-2A	SX5000-53-2A	For U side
⑤-1	Connector block assembly (for D-sub connector)	SX3000-64- ^{1A} _{1NA}	SX5000-64- ^{1A} _{1NA}	-1A: +COM -1NA: -COM
⑤-2	Connector block assembly (for 26 pins flat cable)	SX3000-64- ^{2A} _{2NA} -26	SX5000-64- ^{2A} _{2NA} -26	Note) For 24 VDC
⑤-3	Connector block assembly (for 20 pins flat cable)	SX3000-64- ^{2A} _{2NA} -20	SX5000-64- ^{2A} _{2NA} -20	
⑤-4	Connector block assembly (for 10 pins flat cable)	SX3000-64- ^{2A} _{2NA} -10	SX5000-64- ^{2A} _{2NA} -10	
⑤-5	Connector block assembly (for 2 to 8 stations (T, T1) terminal block)	SX3000-64-3A	SX5000-64-3A	In common between +COM and -COM.
⑤-6	Connector block assembly (for 9 to 17 stations (T1) terminal block)	SX3000-64-8A	SX5000-64-8A	
⑥	Round head combination screw	SY3000-23-4	M3 x 26, Matt nickel plated	
⑦	Gasket	SX3000-57-4	SX5000-57-6	
⑧	DIN rail	VZ1000-11-1-I□		Refer to page 1-4-123.

- Note 1) The numbers 5-1 to 4 are for 24 VDC. For 12 VDC, suffix "-12V" to the end of parts number. (Example) SX3000-64-1A-12 V
 Note 2) Two manifold block assemblies are necessary for the double, 3 position (Dual body type).

Style of manifold	Manifold block assembly part no.	Note
For 45(N)F (D-sub connector)	SX ³ 000-50-3A-□□	□□: AB port SY3000 (metric size) (inch size) C4: With One-touch fitting for $\phi 4$ C6: With One-touch fitting for $\phi 6$ N3: With One-touch fitting for $\phi 5/32$ " N7: With One-touch fitting for $\phi 1/4$ "
For 45(N) _{FF} (Flat ribbon cable)	SX ³ 000-50-5A-□□	A, B port SY5000 (metric size) (inch size) C4: With One-touch fitting for $\phi 4$ C6: With One-touch fitting for $\phi 6$ C8: With One-touch fitting for $\phi 8$ N3: With One-touch fitting for $\phi 5/32$ " N7: With One-touch fitting for $\phi 1/4$ " N9: With One-touch fitting for $\phi 5/16$ "
For 45G PC Wiring System compatible		
For 45 ^T ₁ (Terminal block)	SX ³ 000-50-7A-□□	

How to Increase Manifold Base

- 1 Loosen bolt (a) fixing the manifold base until it begins to turn idly. (While pressing DIN rail releasing buttons (c), at two locations, separate the manifold base from the DIN rail.)
- 2 Additional bases are to be added to the U side. Press splitting button (b) of the manifold block assembly on the U side until button (b) locks, and then separate the block assemblies.
- 3 Separate the connector block assembly in the same manner as 2, and remove the connector mounting screw shown in Fig. (1).
- 4 Loosen the valve mounting screw on the U side, remove the valve, and take out the receptacle housing. (Refer to Fig. (2).)
- 5 Insert the common wire (red) of the manifold block assembly to be added into the pin insertion section (N mark) of the receptacle housing that was taken out in 4, mount it on the manifold block, and mount the removed valve.
- 6 As shown in Fig. (3), mount the additional manifold block assembly on the DIN rail on the U side. Refer to the circuit diagram, and insert the lead wire (black) as shown in Fig. (4).
- 7 Press the blocks against each other until a click sound is produced, place the lead wire in the manifold block, and close the lid without pinching the lead wire.
- 8 While lightly holding the blocks together so that there are no gaps between them, secure them to the DIN rail by tightening the screws (a). Δ (Tightening torque: 1.4 N·m)

Fig. (1)

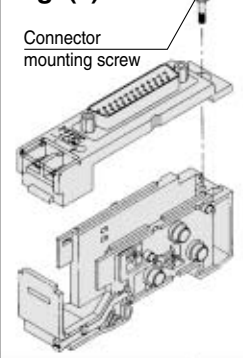


Fig. (2)

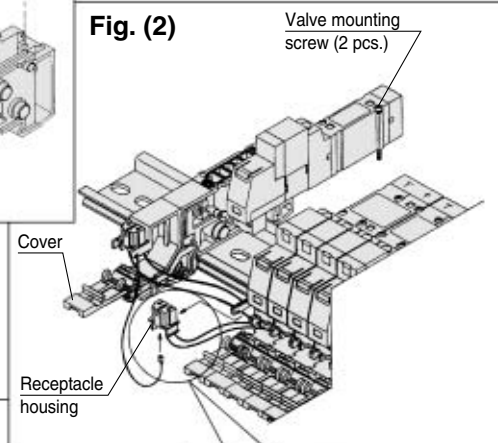


Fig. (3)

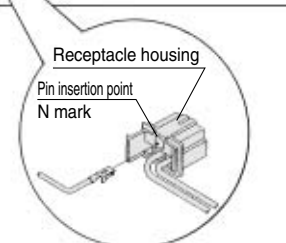
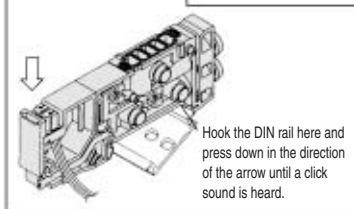
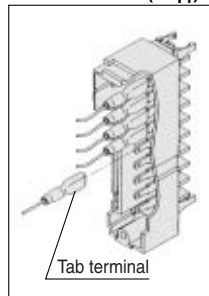
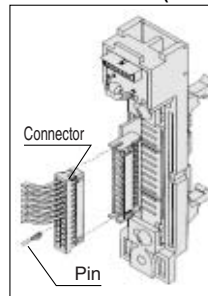
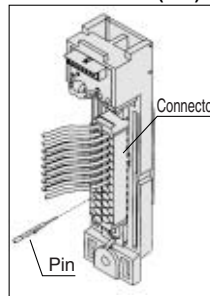


Fig. (4)

D-sub connector (45F)

Flat ribbon cable (45P)

Terminal block (45T₁)

Note) After inserting pins, lightly pull lead wires to check that pins are locked.

Note) Insert pins after removing the connector from the main unit. After inserting pins, lightly pull lead wires to check that the pins are locked.

Note) Insert tab terminals completely.

Caution

1. Depending on the connector, there is a limit to the number of solenoids that can be used. Manifold bases that can be added cannot exceed the number of usable solenoids.
2. The manifold block assembly mounting position for additional manifold bases is always on the U side, because wires are connected to respective connectors sequentially from the D side.
3. When bolt (a) for the end block is not sufficiently tightened during reassembly, air leakage may result. Before supplying air, check that there is no gap between blocks and that the manifold block is firmly fixed to the DIN rail in order to ensure air supply without leakage.

Fitting Assembly

Type 45 manifold permits change in the A and B port sizes by changing the manifold block fitting assembly. After removing the valve, remove the clip with a screwdriver, etc. For mounting a new fitting assembly, insert it and then insert a clip until it will not come out of the manifold block.

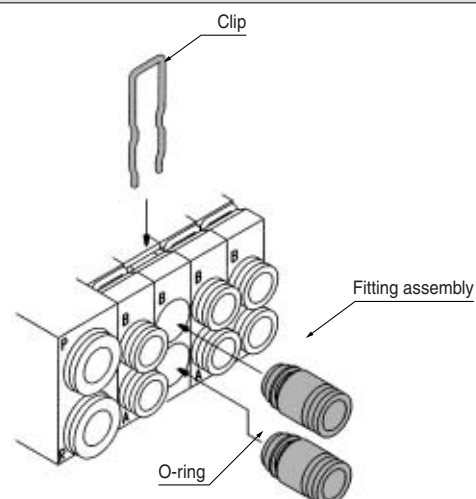
Fitting Assembly Part No.

Metric size

SY3000	One-touch fitting for $\phi 4$	VVQ1000-50A-C4
	One-touch fitting for $\phi 6$	VVQ1000-50A-C6
	One-touch fitting for $\phi 4$	VVQ1000-51A-C4
SY5000	One-touch fitting for $\phi 6$	VVQ1000-51A-C6
	One-touch fitting for $\phi 8$	VVQ1000-51A-C8

Inch size

SY3000	One-touch fitting for $\phi 9/32$ "	VVQ1000-50A-N3
	One-touch fitting for $\phi 1/4$ "	VVQ1000-50A-N7
	One-touch fitting for $\phi 5/32$ "	VVQ1000-51A-N3
SY5000	One-touch fitting for $\phi 1/4$ "	VVQ1000-51A-N7
	One-touch fitting for $\phi 5/16$ "	VVQ1000-51A-N9



Note 1) P and R ports cannot be changed.

Note 2) Use caution that O-rings must be free from scratches and dust. Otherwise, air leakage may result.

Series SY3000/5000 Base Mounted Monifold Stacking Type/DIN Rail Mounted Serial Transmission (Integrated)

Type 45S

How to Order Manifold

SS5Y **3** - 45S **A** - 05 **U** - C6

Series

3	SY3000
5	SY5000

Model

Symbol	Specifications
0	Without SI unit
A	With general type SI unit (Series EX300)
B	Mitsubishi Electric Corp.: MELSECNET/ MINI-S3 Data Link System
C	OMRON Corp.: SYSBUS Wire System
D	SHARP Corp.: Satellite I/O Link System
E	Matsushita Electric Works: MEWNET-F System
F1	NKE Corp.: Uni-wire System (16 output points)
G	Rockwell Automation: Allen Bradley Remote I/O (RIO) System
H	NKE Corp.: Uni-wire H System
J1	SUNX Corp.: S-LINK System (16 output points)
J2	SUNX Corp.: S-LINK System (8 output points)
K	Fuji Electric Co.: T-LINK Mini System
Q	DeviceNet, CompoBus/D (OMRON Corp.)
R1	OMRON Corp.: CompoBus/S System (16 output points)
R2	OMRON Corp.: CompoBus/S System (8 output points)
U	JEMANET (JPCN-1)
V	Mitsubishi Electric Corp.: CC-LINK System

* For the general purpose type, a transmission unit is require on the CPU side.
* Even though when it is not equipped with SI unit, DIN rail length is long enough for future expectancy of mounting SI unit.

Valve stations

Symbol	Stations	Note
02	2 stations	Single wining spec. (Applicable up to 16 solenoid valves.)
:	:	
16	16 stations	

* This also includes the number of blanking plate assemblies.
* Two stations are necessary for the double, 3 position (Dual body type).

SUP/EXH block assembly mounting position

Symbol	Mounting position	Stations
U	U side	2 to 10 stations
D	D side	2 to 10 stations
B	(Both sides)	2 to 16 stations
M	Special specifications	

* For special specifications, indicate separately on the manifold specification sheet.

SI Unit Part No.

Symbol	Specifications	For SS5Y□-45S	Symbol	Specifications:	For SS5Y□-45S
A	With general type SI unit (Series EX300)	EX322-S001	J1	SUNX Corp.: S-LINK System (16 output points)	EX122-SSL1
B	Mitsubishi Electric Corp.: MELSECNET/ MINI-S3 Data Link System	EX122-SMB1	J2	SUNX Corp.: S-LINK System (8 output points)	EX122-SSL2
C	OMRON Corp.: SYSBUS Wire System	EX122-STA1	K	Fuji Electric Co.: T-LINK Mini System	EX122-SFU1
D	SHARP Corp.: Satellite I/O Link System	EX122-SSH1	Q	Device Net: CompoBus/D (OMRON Corp.)	EX122-SDN1
E	Matsushita Electric Works: MEWNET-F System	EX122-SPA1	R1	OMRON Corp.: CompoBus/S (16 output points)	EX122-SCS1
F1	NKE Corp.: Uni-wire System (16 output points)	EX122-SUW1	R2	OMRON Corp.: CompoBus/S (8 output points)	EX122-SCS2
G	Rockwell Automation: Allen Bradley Remote I/O (RIO) System	EX122-SAB1	U	JEMANET (JPCN-1)	EX122-SJN1
H	NKE Corp.: Uni-wire H System	EX122-SUH1	V	Mitsubishi Electric Corp.: CC-LINK System	EX122-SMJ1

Option
When a longer DIN rail is desired than the specified stations, specify the station number to be required. (Max. 20 stations)

A, B port size One-touch fitting (Metric size)

Symbol	Port size	Applicable series
C4	One-touch fitting for ø4	SY3000
C6	One-touch fitting for ø6	
M	Mixed	
C4	One-touch fitting for ø4	SY5000
C6	One-touch fitting for ø6	
C8	One-touch fitting for ø8	
M	Mixed	

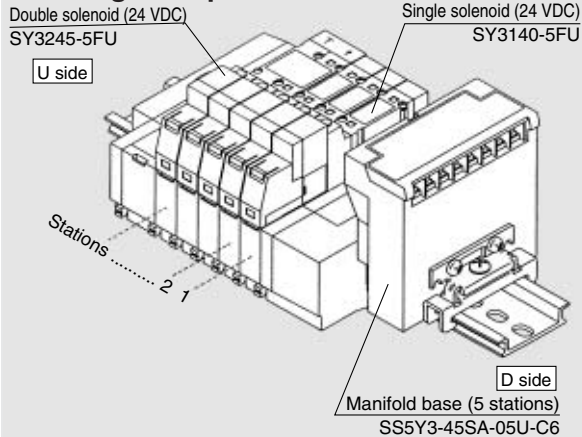
One-touch fitting (Inch size)

Symbol	Port size	Applicable series
N3	One-touch fitting for ø5/32"	SY3000
N7	One-touch fitting for ø1/4"	
M	Mixed	
N3	One-touch fitting for ø5/32"	SY5000
N7	One-touch fitting for ø1/4"	
N9	One-touch fitting for ø5/16"	
M	Mixed	

* In the case of mixed specifications, indicate separately on the manifold specification sheet.

How to Order Valve Manifold Assembly

Ordering example



SS5Y3-45SA-05U-C6 1 set (Type 45S with serial unit 5 stations manifold base part no.)
* SY3140-5FU 3 sets (Single solenoid part no.)
* SY3245-5FU 1 set (Double solenoid part no.)

* The asterisk denotes the symbol for assembly. Prefix it to the part nos. of the solenoid valve, etc.

* The valve arrangement is numbered as the 1st. station from D side.
* When ordering double solenoid valves/3 position (Dual body type), please keep in mind that they require two manifold stations.
* Serial unit is available only for the D-side mounting type.

How to Order Valves

2 position single SY **3** 1 4 0 - 5 FU
Double 3 position SY **3** 2 4 5 - 5 FU

Series

3	SY3000
5	SY5000

Type of actuation

2	2 position double
3	3 position closed center
4	3 position exhaust center
5	3 position pressure center

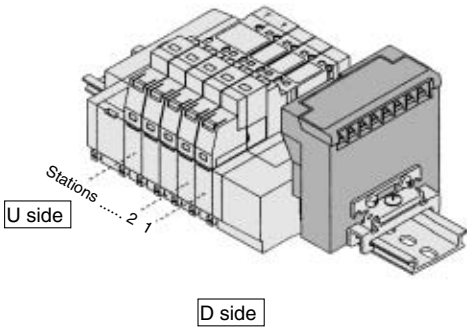
Rated voltage
5 24 VDC

Dual body type (Double, 3 position)

Manual override

Nil	Non-locking push type
D	Push-turn locking slotted type
E	Push-turn locking lever type

- The serial transmission system reduces wiring work, while minimizing wiring and saving space.
- 16 stations max. (Specify a model with more than 8 stations by using a manifold specification sheet.)



- The total number of stations is tabulated starting from station one on the D side.
- Maximum station: Up to 16 solenoids (16 single solenoids).

Item	Specifications
External power supply	24 VDC +10%/−5%
Current consumption (Internal unit)	0.1A SA, SB, SD, SE, SF1, SG, SJ1, SJ2, SK, SR1, SR2, SH, SU, SV
	0.3A SC, SQ

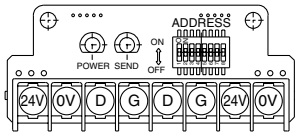
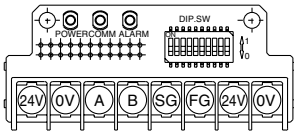
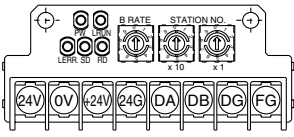
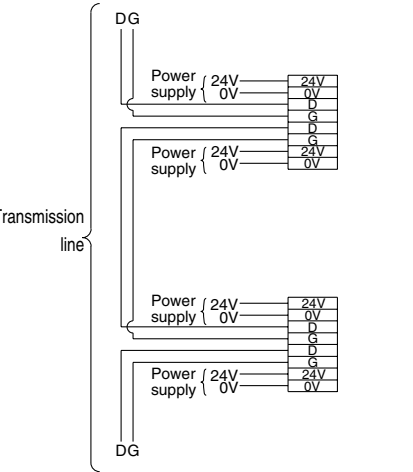
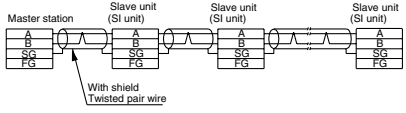
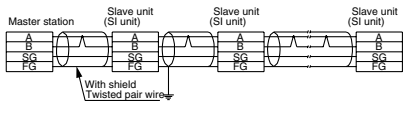
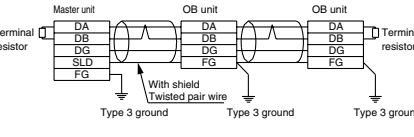
	Type SA Applicable to Series EX300	Type SB Mitsubishi Electric Corporation MELSECNET/mini-S3 Data Link System																		
Name of terminal block, LED	<table border="1"> <thead> <tr> <th>LED</th> <th>Description</th> </tr> </thead> <tbody> <tr> <td>TRD</td> <td>Lights up when receiving data.</td> </tr> <tr> <td>RUN/ERR</td> <td>Flashes when received data is normal; lights up when abnormal.</td> </tr> </tbody> </table>	LED	Description	TRD	Lights up when receiving data.	RUN/ERR	Flashes when received data is normal; lights up when abnormal.	<table border="1"> <thead> <tr> <th>LED</th> <th>Description</th> </tr> </thead> <tbody> <tr> <td>POWER</td> <td>Lights up when power supply is ON.</td> </tr> <tr> <td>RUN</td> <td>Lights up when the data transmission with the master station is normal.</td> </tr> <tr> <td>RD</td> <td>Lights up when receiving data.</td> </tr> <tr> <td>SD</td> <td>Lights up when sending data.</td> </tr> <tr> <td>ERR.</td> <td>Lights up when data reception error occurs; goes off when the error is corrected.</td> </tr> </tbody> </table>	LED	Description	POWER	Lights up when power supply is ON.	RUN	Lights up when the data transmission with the master station is normal.	RD	Lights up when receiving data.	SD	Lights up when sending data.	ERR.	Lights up when data reception error occurs; goes off when the error is corrected.
LED	Description																			
TRD	Lights up when receiving data.																			
RUN/ERR	Flashes when received data is normal; lights up when abnormal.																			
LED	Description																			
POWER	Lights up when power supply is ON.																			
RUN	Lights up when the data transmission with the master station is normal.																			
RD	Lights up when receiving data.																			
SD	Lights up when sending data.																			
ERR.	Lights up when data reception error occurs; goes off when the error is corrected.																			
Note	<ul style="list-style-type: none"> • Connection to T unit PLC manufacturer's I/O card enables serial transmission. EX300-TMB1 For models of Mitsubishi Electric Corporation EX300-TTA1 For models of OMRON Corporation EX300-TFU1 For models of Fuji Electric Co., Ltd. EX300-T001 For general models * Up to 32 points per unit. • No. of output points: 16 points 	<ul style="list-style-type: none"> • MELSECNET/mini-S3 Data Link System Master unit: AJ71PT32-S3, AJ71T32-S3, A1SJ71PT32-S3 * No. of output points: 16 points No. of sta. occupied: 2 stations 																		
Cable wiring	<p>* Ground either the reception side or the transmission side of the shielding wire shield.</p>	<p>* Ground either the reception side or the transmission side of the shielding wire shield.</p>																		

- SV
- SZ
- SY
- SYJ
- SX

	Type SC OMRON Corporation SYSBUS Wiring System	Type SD SHARP Corporation Satellite I/O Link System	Type SE Matsushita Electric Works, Ltd. MEWNET-F System																								
Name of terminal block, LED	<table border="1"> <thead> <tr> <th>LED</th> <th>Description</th> </tr> </thead> <tbody> <tr> <td>RUN</td> <td>Lights up when transmission is normal and PLC is in operation mode.</td> </tr> <tr> <td>T/R</td> <td>Flashes when transmission is normal; lights up when it is abnormal.</td> </tr> </tbody> </table>	LED	Description	RUN	Lights up when transmission is normal and PLC is in operation mode.	T/R	Flashes when transmission is normal; lights up when it is abnormal.	<table border="1"> <thead> <tr> <th>LED</th> <th>Description</th> </tr> </thead> <tbody> <tr> <td>POWER</td> <td>Lights up when power supply is ON.</td> </tr> <tr> <td>RUN</td> <td>Lights up when power supply is ON and the slave unit is operating normally.</td> </tr> <tr> <td>ERROR</td> <td>Lights up in cases of abnormal slave unit switch setting, abnormal communications, when the master unit PLC has stopped or if the slave unit is defective.</td> </tr> <tr> <td>R.SET</td> <td>Lights up when receiving the control input from the master unit.</td> </tr> </tbody> </table>	LED	Description	POWER	Lights up when power supply is ON.	RUN	Lights up when power supply is ON and the slave unit is operating normally.	ERROR	Lights up in cases of abnormal slave unit switch setting, abnormal communications, when the master unit PLC has stopped or if the slave unit is defective.	R.SET	Lights up when receiving the control input from the master unit.	<table border="1"> <thead> <tr> <th>LED</th> <th>Description</th> </tr> </thead> <tbody> <tr> <td>POWER</td> <td>Lights up when power supply is ON.</td> </tr> <tr> <td>COMM.</td> <td>Flashes when sending and receiving data.</td> </tr> <tr> <td>ALARM</td> <td>Lights up when the unit is abnormal; flashes for setting error.</td> </tr> </tbody> </table>	LED	Description	POWER	Lights up when power supply is ON.	COMM.	Flashes when sending and receiving data.	ALARM	Lights up when the unit is abnormal; flashes for setting error.
LED	Description																										
RUN	Lights up when transmission is normal and PLC is in operation mode.																										
T/R	Flashes when transmission is normal; lights up when it is abnormal.																										
LED	Description																										
POWER	Lights up when power supply is ON.																										
RUN	Lights up when power supply is ON and the slave unit is operating normally.																										
ERROR	Lights up in cases of abnormal slave unit switch setting, abnormal communications, when the master unit PLC has stopped or if the slave unit is defective.																										
R.SET	Lights up when receiving the control input from the master unit.																										
LED	Description																										
POWER	Lights up when power supply is ON.																										
COMM.	Flashes when sending and receiving data.																										
ALARM	Lights up when the unit is abnormal; flashes for setting error.																										
Note	<ul style="list-style-type: none"> • SYSBUS Wire System Master unit: Type C500-RM201, Type C200H-RM201 • No. of output points: 16 points 	<ul style="list-style-type: none"> • Satellite I/O Link System Master unit: ZW-31LM, JW-31LM, JW-23LM • No. of output points: 16 points 	<ul style="list-style-type: none"> • MEWNET-F System Master unit: AFP3740, AFP5740 • No. of output points: 16 points 																								
Cable wiring		<p>a) 2-wire type Wiring does not include signal ground line (SG).</p> <p>a) 3-wire type Wiring does not include signal ground line (SG).</p>																									

	Type SF1 NKE Corporation Uni-wire System	Type SG Rockwell Automation, Inc. Allen Bradley Remote I/O (RIO) System	Type SJ1, SJ2 SUNX Corporation S-LINK System																				
Name of terminal block, LED	<table border="1"> <thead> <tr> <th>LED</th> <th>Description</th> </tr> </thead> <tbody> <tr> <td>POWER</td> <td>Lights up when power supply is ON.</td> </tr> <tr> <td>SEND</td> <td>Transmission indicator: Flashes when normal; goes out or lights up when abnormal.</td> </tr> </tbody> </table>	LED	Description	POWER	Lights up when power supply is ON.	SEND	Transmission indicator: Flashes when normal; goes out or lights up when abnormal.	<table border="1"> <thead> <tr> <th>LED</th> <th>Description</th> </tr> </thead> <tbody> <tr> <td>POWER</td> <td>Lights up when power supply is ON.</td> </tr> <tr> <td>COM.</td> <td>Lights up when communication is normal. Flashes when communication is initialized. Goes out for abnormal communication.</td> </tr> <tr> <td>ERROR</td> <td>Lights up for abnormal communication.</td> </tr> </tbody> </table>	LED	Description	POWER	Lights up when power supply is ON.	COM.	Lights up when communication is normal. Flashes when communication is initialized. Goes out for abnormal communication.	ERROR	Lights up for abnormal communication.	<table border="1"> <thead> <tr> <th>LED</th> <th>Description</th> </tr> </thead> <tbody> <tr> <td>POWER</td> <td>Lights up when power supply is ON.</td> </tr> <tr> <td>SEND</td> <td>Transmission indicator: Flashes when normal, flashes slowly when abnormal.</td> </tr> </tbody> </table>	LED	Description	POWER	Lights up when power supply is ON.	SEND	Transmission indicator: Flashes when normal, flashes slowly when abnormal.
LED	Description																						
POWER	Lights up when power supply is ON.																						
SEND	Transmission indicator: Flashes when normal; goes out or lights up when abnormal.																						
LED	Description																						
POWER	Lights up when power supply is ON.																						
COM.	Lights up when communication is normal. Flashes when communication is initialized. Goes out for abnormal communication.																						
ERROR	Lights up for abnormal communication.																						
LED	Description																						
POWER	Lights up when power supply is ON.																						
SEND	Transmission indicator: Flashes when normal, flashes slowly when abnormal.																						
Note	<ul style="list-style-type: none"> Uni-wire System Send unit: SD-120 No. of output points: 16 points 	<ul style="list-style-type: none"> Remote I/O (RIO) System No. of output points: 16 points 	<ul style="list-style-type: none"> S-LINK System S-LINK Controller: SL-CU1 No. of output points: 16 points (Type SJ1) No. of output points: 8 points (Type SJ2) 																				
Cable wiring			<p>a) Type T branching multi-drop wiring (S-LINK System) b) Crossover wiring (Sensor Link System)</p> <p>The above is the example of using dedicated S-LINK flat ribbon cable SL-RCMI00.</p>																				

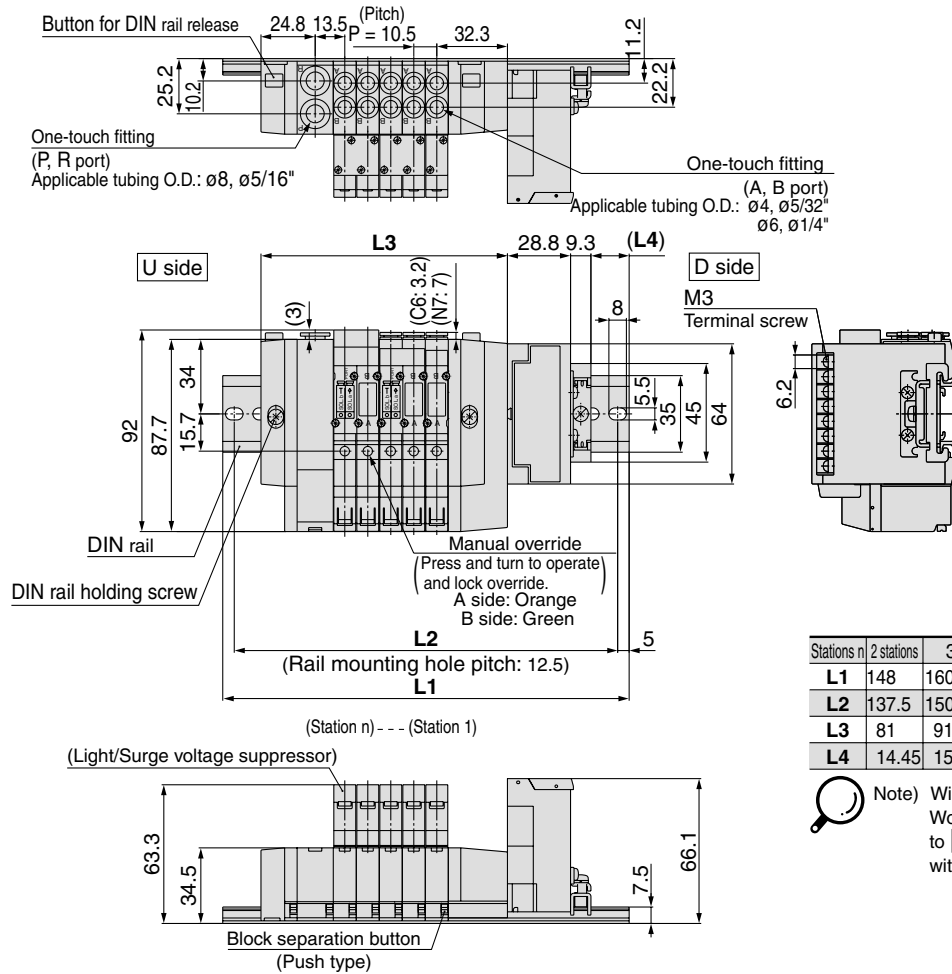
	Type SK Fuji Electric Co, Ltd. T Link Mini System	Type SDQ DeviceNet	Type SR1, SR2 OMRON Corporation CompoBus/S System																				
Name of terminal block, LED	<table border="1"> <thead> <tr> <th>LED</th> <th>Description</th> </tr> </thead> <tbody> <tr> <td>POWER</td> <td>Lights up when power supply is ON.</td> </tr> <tr> <td>SEND</td> <td>Lights up for abnormal transmission or power off at the processor side.</td> </tr> </tbody> </table>	LED	Description	POWER	Lights up when power supply is ON.	SEND	Lights up for abnormal transmission or power off at the processor side.	<table border="1"> <thead> <tr> <th>LED</th> <th>Description</th> </tr> </thead> <tbody> <tr> <td>POWER</td> <td>Green light is ON when the circuit is powered. Goes out when SI unit is not online or the circuit is not powered.</td> </tr> <tr> <td>MOD/NET</td> <td>Green light is continuously ON when SI unit is on-line and in operation. Red light flashes for connection time-out (minor communication error). Red light is continuously ON for connection time-out (major communication error) or online impossibility.</td> </tr> </tbody> </table>	LED	Description	POWER	Green light is ON when the circuit is powered. Goes out when SI unit is not online or the circuit is not powered.	MOD/NET	Green light is continuously ON when SI unit is on-line and in operation. Red light flashes for connection time-out (minor communication error). Red light is continuously ON for connection time-out (major communication error) or online impossibility.	<table border="1"> <thead> <tr> <th>LED</th> <th>Description</th> </tr> </thead> <tbody> <tr> <td>POWER</td> <td>Lights up when transmission is ON; goes out when not powered.</td> </tr> <tr> <td>COMM</td> <td>Lights up for normal communication; goes out for abnormal communication or waiting.</td> </tr> <tr> <td>ERR</td> <td>Lights up for abnormal communication; goes out for normal communication or waiting.</td> </tr> </tbody> </table>	LED	Description	POWER	Lights up when transmission is ON; goes out when not powered.	COMM	Lights up for normal communication; goes out for abnormal communication or waiting.	ERR	Lights up for abnormal communication; goes out for normal communication or waiting.
LED	Description																						
POWER	Lights up when power supply is ON.																						
SEND	Lights up for abnormal transmission or power off at the processor side.																						
LED	Description																						
POWER	Green light is ON when the circuit is powered. Goes out when SI unit is not online or the circuit is not powered.																						
MOD/NET	Green light is continuously ON when SI unit is on-line and in operation. Red light flashes for connection time-out (minor communication error). Red light is continuously ON for connection time-out (major communication error) or online impossibility.																						
LED	Description																						
POWER	Lights up when transmission is ON; goes out when not powered.																						
COMM	Lights up for normal communication; goes out for abnormal communication or waiting.																						
ERR	Lights up for abnormal communication; goes out for normal communication or waiting.																						
Note	<ul style="list-style-type: none"> T Link Mini System Master unit: FTM100B Converter: FRC100A-G02 Repeater: FRC200A-C10 No. of output points: 16 points 	<ul style="list-style-type: none"> DeviceNet OMRON Corporation: CompoBus/D System Master station unit: C200HW-DSM21 No. of output points: 16 points 	<ul style="list-style-type: none"> CompoBus/S System Master unit: C200HW-SRM21 Master unit: COM1-SRM21 No. of output points: 16 points (Type SR1) No. of output points: 8 points (Type SR2) 																				
Cable wiring	<p>Connect the shielding wire to the SD terminal. If the shielding wire is not connected to the SD terminal, normal transmission will be impossible even for short distances. Furthermore, do not ground the shielding wire (SD).</p>																						

Name of terminal block, LED	<p>Type SH NKE Corporation Uni-wire H System</p>  <table border="1" data-bbox="167 465 574 627"> <thead> <tr> <th>LED</th> <th>Description</th> </tr> </thead> <tbody> <tr> <td>POWER</td> <td>Lights up when power supply is ON. (Lights on when normal; flickers when voltage drops.)</td> </tr> <tr> <td>SEND</td> <td>Transmission indicator: flashes when normal; goes out or lights up when abnormal.</td> </tr> </tbody> </table>	LED	Description	POWER	Lights up when power supply is ON. (Lights on when normal; flickers when voltage drops.)	SEND	Transmission indicator: flashes when normal; goes out or lights up when abnormal.	<p>Type SU JEMANET (JPCN-1)</p>  <table border="1" data-bbox="606 465 1013 627"> <thead> <tr> <th>LED</th> <th>Description</th> </tr> </thead> <tbody> <tr> <td>POWER</td> <td>Lights up when SI unit power supply is ON.</td> </tr> <tr> <td>COMM</td> <td>Lights up for normal communication.</td> </tr> <tr> <td>ALARM</td> <td>Lights up for abnormal communication.</td> </tr> </tbody> </table>	LED	Description	POWER	Lights up when SI unit power supply is ON.	COMM	Lights up for normal communication.	ALARM	Lights up for abnormal communication.	<p>Type SV Mitsubishi Electric Corporation CC-LINK System</p>  <table border="1" data-bbox="1061 465 1468 716"> <thead> <tr> <th>LED</th> <th>Description</th> </tr> </thead> <tbody> <tr> <td>PWR</td> <td>Lights up when transmission power; goes out when not powered.</td> </tr> <tr> <td>L RUN</td> <td>Lights up when receiving normal data.</td> </tr> <tr> <td>SD</td> <td>Lights up when sending data.</td> </tr> <tr> <td>RD</td> <td>Lights up when receiving data.</td> </tr> <tr> <td>L ERR.</td> <td>Lights up for transmission error and setting error; flashes when station or transmission speed settings are changed during operation.</td> </tr> </tbody> </table>	LED	Description	PWR	Lights up when transmission power; goes out when not powered.	L RUN	Lights up when receiving normal data.	SD	Lights up when sending data.	RD	Lights up when receiving data.	L ERR.	Lights up for transmission error and setting error; flashes when station or transmission speed settings are changed during operation.
LED	Description																												
POWER	Lights up when power supply is ON. (Lights on when normal; flickers when voltage drops.)																												
SEND	Transmission indicator: flashes when normal; goes out or lights up when abnormal.																												
LED	Description																												
POWER	Lights up when SI unit power supply is ON.																												
COMM	Lights up for normal communication.																												
ALARM	Lights up for abnormal communication.																												
LED	Description																												
PWR	Lights up when transmission power; goes out when not powered.																												
L RUN	Lights up when receiving normal data.																												
SD	Lights up when sending data.																												
RD	Lights up when receiving data.																												
L ERR.	Lights up for transmission error and setting error; flashes when station or transmission speed settings are changed during operation.																												
Note	<ul style="list-style-type: none"> • Uni-wire H System Send unit: SD-H2 • No. of output points: 16 points 	<ul style="list-style-type: none"> • JEMA Net (JPCN-1) (Reference) AJ71J92-S3 (Mitsubishi Electric Corporation) A1SJ71J92-S3 (Mitsubishi Electric Corporation) C200HW-JRM21 (OMRON Corporation) NJ-JPCN-1 (Fuji Electric Co., Ltd.) NP1L-JP1 (Fuji Electric Co., Ltd.) • No. of output points: 16 points 	<ul style="list-style-type: none"> • CC-Link System Master unit: AJ61BT11 Master unit: A1SJ61BT11 Master unit: AJ61QBT11 Master unit: A1SJ61QBT11 • No. of output points: 16 points 																										
Cable wiring		<p>a) 2-wire type</p>  <p>a) 3-wire type</p> 																											

- SV
- SZ
- SY
- SYJ
- SX

Series SY3000: Serial Transmission Unit/Plug-in

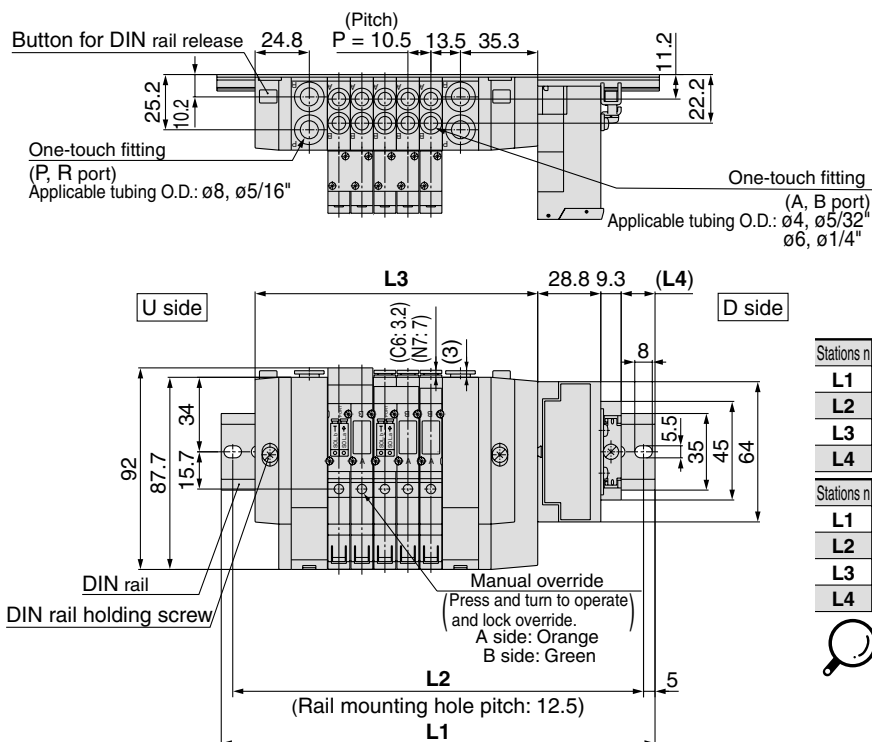
SS5Y3-45S □ - Stations **U**-C4, N3
C6, N7



Stations n	2 stations	3	4	5	6	7	8	9	10 stations
L1	148	160.5	173	185.5	185.5	198	210.5	223	235.5
L2	137.5	150	162.5	175	175	187.5	200	212.5	225
L3	81	91.5	102	112.5	123	133.5	144	154.5	165
L4	14.45	15.45	16.45	17.45	12.2	13.2	14.2	15.2	16.2

Note) Width of SI unit applicable to "E": Matsushita Electric Works, Ltd. and "G": Rockwell Automation, Inc. widens to **[24.3 mm]**. For further information, please consult with SMC.

SS5Y3-45S □ - Stations **B**-C4, N3
C6, N7



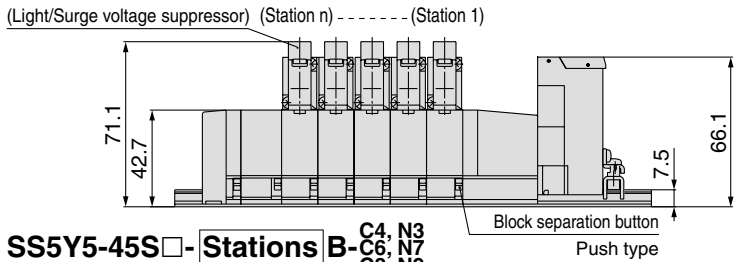
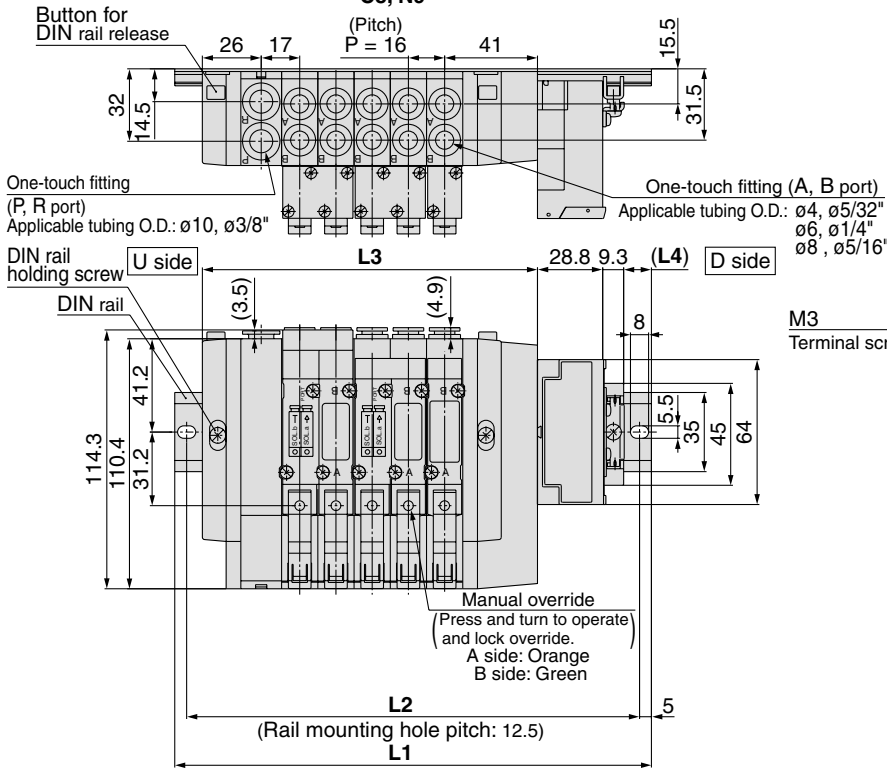
Stations n	2 stations	3	4	5	6	7	8	9	10 stations
L1	160.5	173	185.5	198	210.5	223	223	235.5	248
L2	150	162.5	175	187.5	200	212.5	212.5	225	237.5
L3	97.5	108	118.5	129	139.5	150	160.5	171	181.5
L4	12.45	13.45	14.45	15.45	16.45	17.45	12.2	13.2	14.2

Stations n	11 stations	12	13	14	15	16 stations
L1	260.5	273	285.5	285.5	298	310.5
L2	250	262.5	275	275	287.5	300
L3	192	202.5	213	223.5	234	244.5
L4	15.2	16.2	17.2	11.95	12.95	13.95

Note) Width of SI unit applicable to "E": Matsushita Electric Works Ltd. and "G": Rockwell Automation, Inc. widens to **[24.3 mm]**. For further information, please consult with SMC.

Series SY5000: Serial Transmission Unit/Plug-in

SS5Y5-45S□ - Stations U-C4, N3 C6, N7 C8, N9



- SV
- SZ
- SY
- SYJ
- SX

Stations n	2 stations	3	4	5	6	7	8	9	10 stations
L1	173	185.5	198	210.5	235.5	248	260.5	285.5	298
L2	162.5	175	187.5	200	225	237.5	250	275	287.5
L3	100	116	132	148	164	180	196	212	228
L4	17.45	15.7	13.95	12.2	16.7	14.95	13.2	17.7	15.95

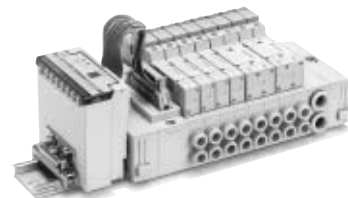
Note) Width of SI unit applicable to "E": Matsushita Electric Works, Ltd. and "G": Rockwell Automation, Inc. widens to $\underline{24.3 \text{ mm}}$. For further information, please consult with SMC.

Stations n	2 stations	3	4	5	6	7	8	9	10 stations
L1	185.5	198	223	235.5	248	260.5	285.5	298	310.5
L2	175	187.5	212.5	225	237.5	250	275	287.5	300
L3	118	134	150	166	182	198	214	230	246
L4	14.7	12.95	17.45	15.7	13.95	12	16.5	14.95	13.2

Stations n	11 stations	12	13	14	15	16 stations
L1	335.5	348	360.5	373	398	410.5
L2	325	337.5	350	362.5	387.5	400
L3	262	278	294	310	326	342
L4	17.7	15.95	14.2	12.45	16.95	15.2

Note) Width of SI unit applicable to "E": Matsushita Electric Works, Ltd. and "G": Rockwell Automation, Inc. widens to $\underline{24.3 \text{ mm}}$. For further information, please consult with SMC.

Series SY3000/5000 Base Mounted Monifold Stacking Type/DIN Rail Mounted Serial Transmission (Separated)



Type 45S1

How to Order Manifold

SS5Y **3** - 45S1 **A D** - **05 U** - **C4** - []

Series

3	SY3000
5	SY5000

Model

Symbol	Specifications
0	Without SI unit
A	With general type SI unit (Series EX300)
B	Mitsubishi Electric Corp.: MELSECNET/ MINI-S3 Data Link System
C	OMRON Corp.: SYSBUS Wire System
D	SHARP Corp: Satellite I/O Link System
E	Matsushita Electric Works: MEWNET-F System
F1	NKE Corp.: Uni-wire System (16 outout points)
G	Rockwell Automation: Allen Bradley Remote I/O (RIO) System
H	NKE Corp.: Uni-wire H System
J1	SUNX Corp.: S-LINK System (16 output points)
J2	SUNX Corp.: S-LINK System (8 output points)
K	Fuji Electric Co.: T-LINK Mini System
Q	DeviceNet, CompoBus/D (OMRON Corp.)
R1	OMRON Corp.: CompoBus/S System (16 output points)
R2	OMRON Corp.: CompoBus/S System (8 output points)
U	JEMANET (JPCN-1)
V	Mitsubishi Electric Corp.: CC-LINK System

- For the general purpose type, a transmission unit is require on the CPU side.
- Even though when it is not equipped with SI unit, DIN rail length is long enough for future expectancy of mounting SI unit. When a shorter rail is required (same as type 45□), suffix "0" in the optional blank at the end of part number.
- For SI unit specifications, Refer to pages 1-4-171 to 1-4-173.

SI unit mounting position

Symbol	Mounting position
U	U side
D	D side

Option

When a longer DIN rail is desired than the specified stations, specify the station number to be required. (Max. 20 stations)

A, B port size

One-touch fitting (Metric size)

Symbol	Port size	Applicable series
C4	One-touch fitting for ø4	SY3000
C6	One-touch fitting for ø6	
M	Mixed	
C4	One-touch fitting for ø4	SY5000
C6	One-touch fitting for ø6	
C8	One-touch fitting for ø8	
M	Mixed	

One-touch fitting (Inch size)

Symbol	Port size	Applicable series
N3	One-touch fitting for ø 5/32"	SY3000
N7	One-touch fitting for ø 1/4"	
M	Mixed	
N3	One-touch fitting for ø 5/32"	SY5000
N7	One-touch fitting for ø 1/4"	
N9	One-touch fitting for ø 5/16"	
M	Mixed	

* In the case of mixed specifications, indicate separately on the manifold specification sheet.

SUP/EXH block assembly mounting position

Symbol	Mounting position	Stations
U	U side	2 to 10 stations
D	D side	2 to 10 stations
B	Both sides	2 to 16 stations
M	Special specifications	

* For special specifications, indicate separately on the manifold specification sheet.

Valve stations

Symbol	Stations	Note
02	2 stations	Single wiring spec. (Applicable up to 16 solenoid valves.)
⋮	⋮	
16	16 stations	

* This also includes the number of blanking plate assemblies.
* Two stations are necessary for the double, 3 position (Dual body type).

SI Unit Part No.

Symbol	Specifications	For SS5Y□-45S1	Symbol	Specifications:	For SS5Y□-45S1
A	With general type SI unit (Series EX300)	EX321-S001	J1	SUNX Corp.: S-LINK System (16 output points)	EX121-SSL1
B	Mitsubishi Electric Corp.: MELSECNET/ MINI-S3 Data Link System	EX121-SMB1	J2	SUNX Corp.: S-LINK System (8 output points)	EX121-SSL2
C	OMRON Corp.: SYSBUS Wire System	EX121-STA1	K	Fuji Electric Co.: T-LINK Mini System	EX121-SFU1
D	SHARP Corp.: Satellite I/O Link System	EX121-SSH1	Q	Device Net: CompoBus/D (OMRON Corp.)	EX121-SDN1
E	Matsushita Electric Works: MEWNET-F System	EX121-SPA1	R1	OMRON Corp.: CompoBus/S (16 output points)	EX121-SCS1
F1	NKE Corp.: Uni-wire System (16 output points)	EX121-SUW1	R2	OMRON Corp.: CompoBus/S (8 output points)	EX121-SCS2
G	Rockwell Automation: Allen Bradley Remote I/O (RIO) System	EX121-SAB1	U	JEMANET (JPCN-1)	EX121-SJN1
H	NKE Corp.: Uni-wire H System	EX121-SUH1	V	Mitsubishi Electric Corp.: CC-LINK System	EX121-SMJ1

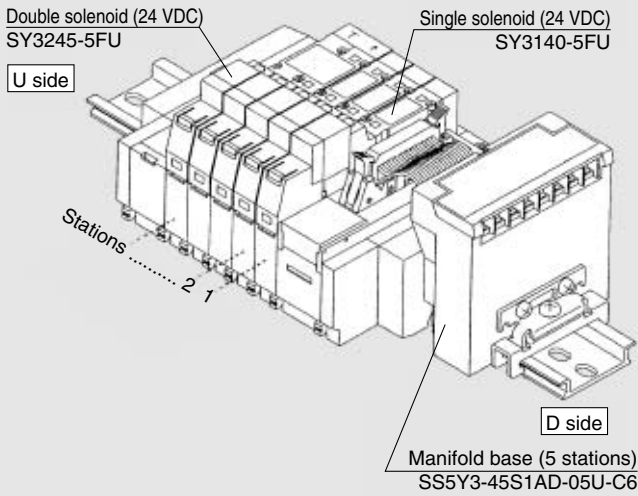
* For terminal LED descriptions and cable wiring, etc. for each SI unit, refer to pages 1-4-171 to 1-4-173.

For external pilot specifications and built-in silencer, refer to catalog on page 1-4-196.



How to Order Valve Manifold Assembly

Ordering example



S5Y3-45S1AD-05U-C6	1 set	(Type 45S1 with serial unit 5 station manifold base part no.)
* SY3140-5FU	3 sets	(Single solenoid part no.)
* SY3245-5FU	1 set	(Double solenoid part no.)

The asterisk denotes the symbol for assembly.
Prefix it to the part nos. of the solenoid valve, etc.

- The valve arrangement is numbered as the 1st. station from D side regardless of the mounting position of SI unit.
- When ordering double solenoid valves/3 position (Dual body type), please keep in mind that they require two manifold stations.

How to Order Valves

2 position single SY **3** 1 4 0 — 5 FU

Double, 3 position SY **3** **2** 4 5 — 5 FU

Series

3	SY3000
5	SY5000

Type of actuation

2	2 position double
3	3 position closed center
4	3 position exhaust center
5	3 position pressure center

Dual body type (Double, 3 position)

Rated voltage

5	24 VDC
---	--------

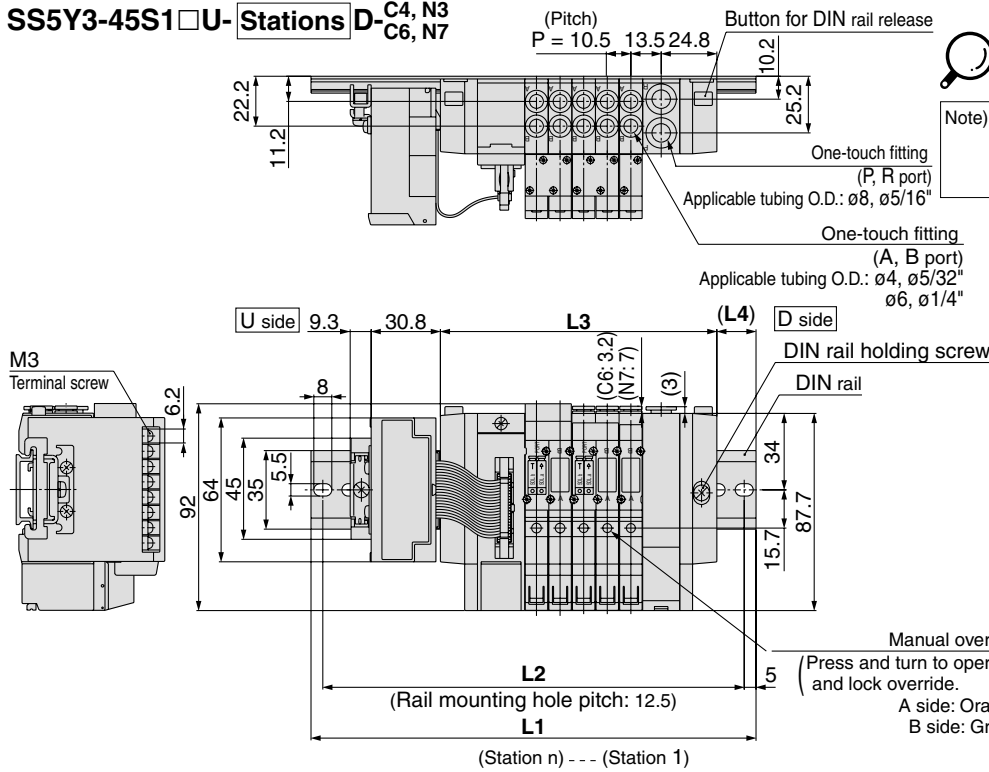
Manual override

Nil	Non-locking push type
D	Push-turn locking slotted type
E	Push-turn locking lever type

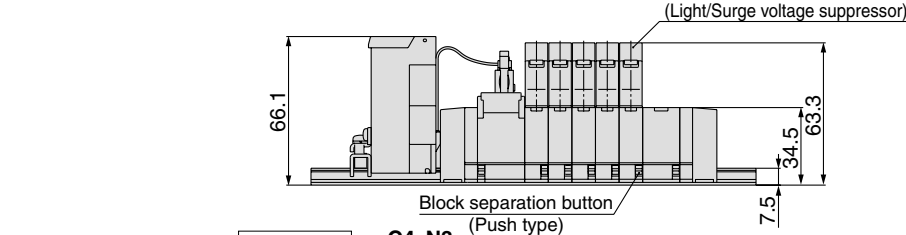
- SV
- SZ
- SY**
- SYJ
- SX

SY3000: Serial Transmission Unit/Plug-in

SS5Y3-45S1 □ U- Stations D- C4, N3 C6, N7



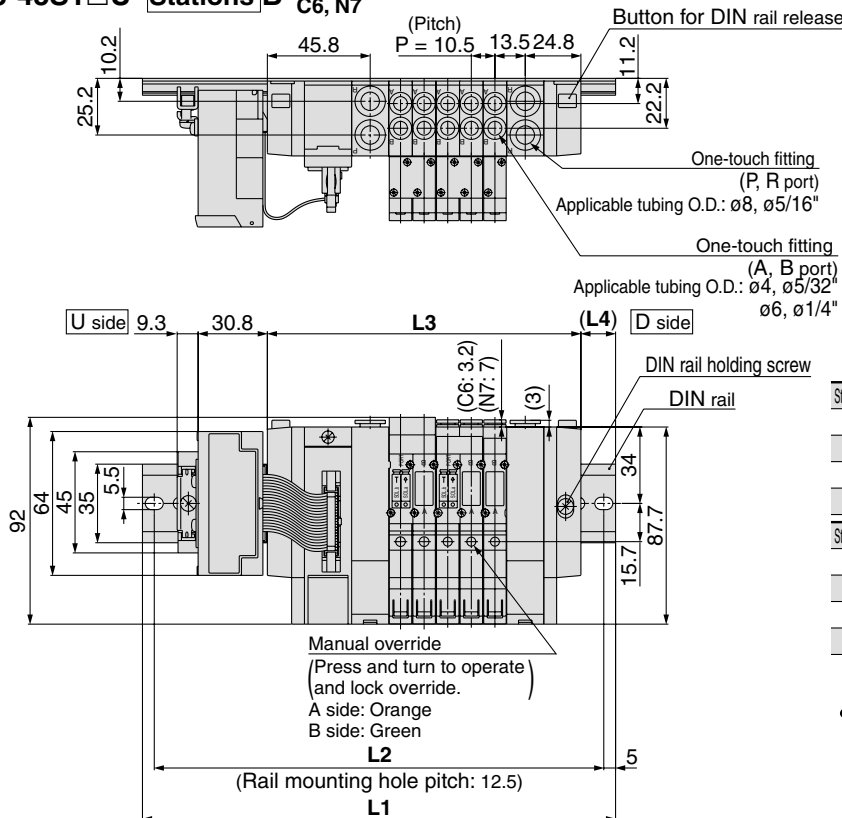
Note) The L1 to L4 dimensions of SS5Y3-45S1 □ U- Stations U- C4, N3 C6, N7 are identical to those of SS5Y3-45S1 □ U- Stations D- C4, N3 C6, N7.



Stations n	2 stations	3	4	5	6	7	8	9	10 stations
L1	160.5	173	185.5	198	198	210.5	223	235.5	248
L2	150	162.5	175	187.5	187.5	200	212.5	225	237.5
L3	91.5	102	112.5	123	133.5	144	154.5	165	175.5
L4	14	15	16	17	12	13	14	15	16

Note) Width of SI unit applicable to "E": Matsushita Electric Works, Ltd. and "G": Rockwell Automation, Inc. widens to 24.3 mm. For further information, please consult with SMC.

SS5Y3-45S1 □ U- Stations B- C4, N3 C6, N7



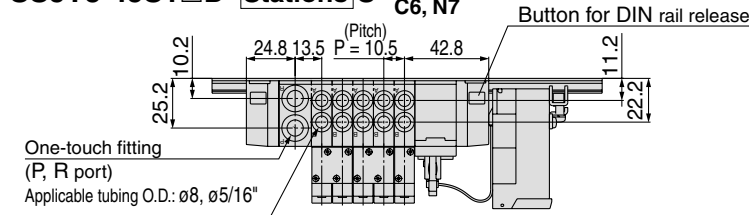
Stations n	2 stations	3	4	5	6	7	8	9	10 stations
L1	173	185.5	198	210.5	223	235.5	235.5	248	260.5
L2	162.5	175	187.5	200	212.5	225	225	237.5	250
L3	108	118.5	129	139.5	150	160.5	171	181.5	192
L4	12	13	14	15	16	17	12	13	14

Stations n	11 stations	12	13	14	15	16 stations
L1	273	285.5	298	298	310.5	323
L2	262.5	275	287.5	287.5	300	312.5
L3	202.5	213	223.5	234	244.5	255
L4	15	16	17	11.5	12.5	13.5

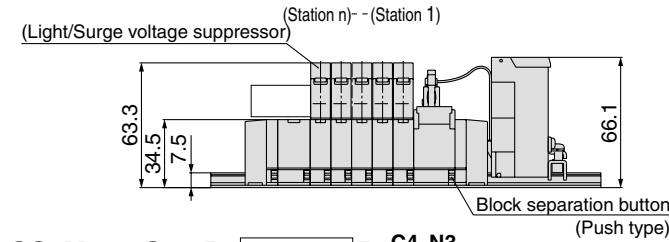
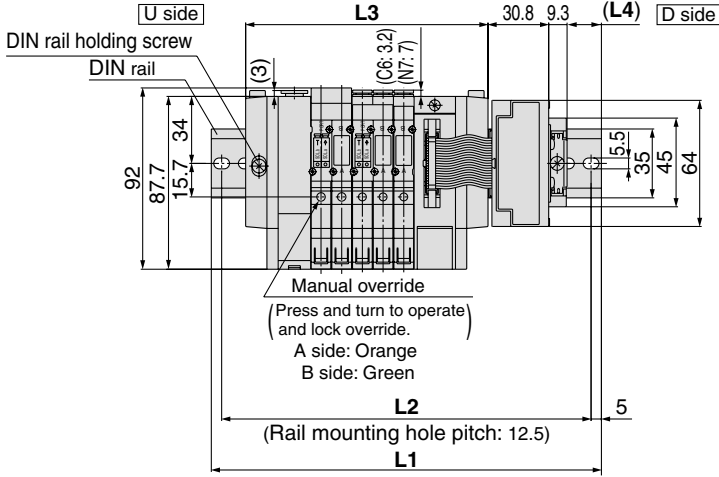
Note) Width of SI unit applicable to "E": Matsushita Electric Works, Ltd. and "G": Rockwell Automation, Inc. widens to 24.3 mm. For further information, please consult with SMC.

SY3000: Serial Transmission Unit/Plug-in

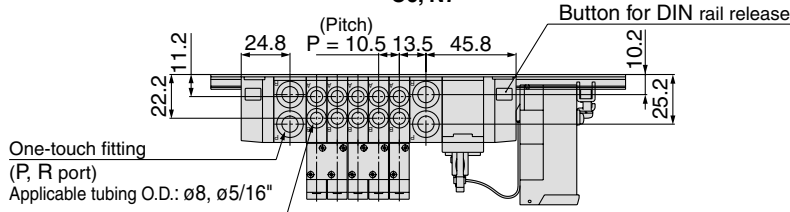
SS5Y3-45S1 □ D- Stations U- C4, N3 C6, N7



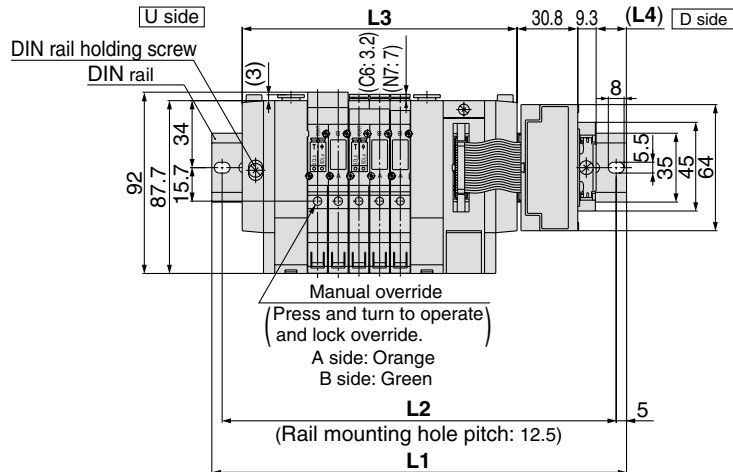
One-touch fitting
(A, B port)
Applicable tubing O.D.: ø4, ø5/32"
ø6, ø1/4"



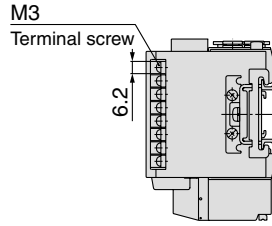
SS5Y3-45S1 □ D- Stations B- C4, N3 C6, N7



One-touch fitting
(A, B port)
Applicable tubing O.D.: ø4, ø5/32"
ø6, ø1/4"



Note) The L1 to L4 dimensions of SS5Y3-45S1 □ D- Stations D- C4, N3 C6, N7 are identical to those of SS5Y3-45S1 □ D- Stations U- C4, N3 C6, N7.



Stations n	2 stations	3	4	5	6	7	8	9	10 stations
L1	160.5	173	185.5	198	198	210.5	223	235.5	248
L2	150	162.5	175	187.5	187.5	200	212.5	225	237.5
L3	91.5	102	112.5	123	133.5	144	154.5	165	175.5
L4	14	15	16	17	12	13	14	15	16



Note) Width of SI unit applicable to "E": Matsushita Electric Works, Ltd. and "G": Rockwell Automation, Inc. widens to 24.3 mm. For further information, please consult with SMC.

Stations n	2 stations	3	4	5	6	7	8	9	10 stations
L1	173	185.5	198	210.5	223	235.5	235.5	248	260.5
L2	162.5	175	187.5	200	212.5	225	225	237.5	250
L3	108	118.5	129	139.5	150	160.5	171	181.5	192
L4	12	13	14	15	16	17	12	13	14

Stations n	11 stations	12	13	14	15	16 stations
L1	273	285.5	298	298	310.5	323
L2	262.5	275	287.5	287.5	300	312.5
L3	202.5	213	223.5	234	244.5	255
L4	15	16	17	11.5	12.5	13.5

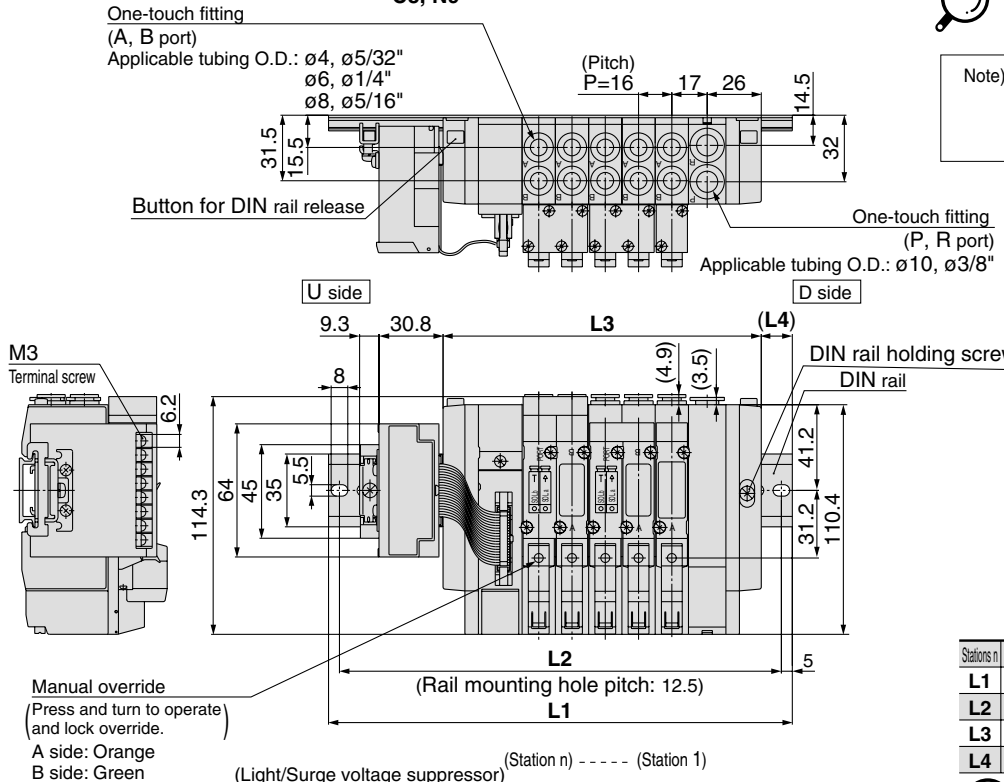


Note) Width of SI unit applicable to "E": Matsushita Electric Works, Ltd. and "G": Rockwell Automation, Inc. widens to 24.3 mm. For further information, please consult with SMC.

- SV
- SZ
- SY
- SYJ
- SX

SY5000: Serial Transmission Unit/Plug-in

SS5Y5-45S1□U- Stations D- C4, N3
C6, N7
C8, N9



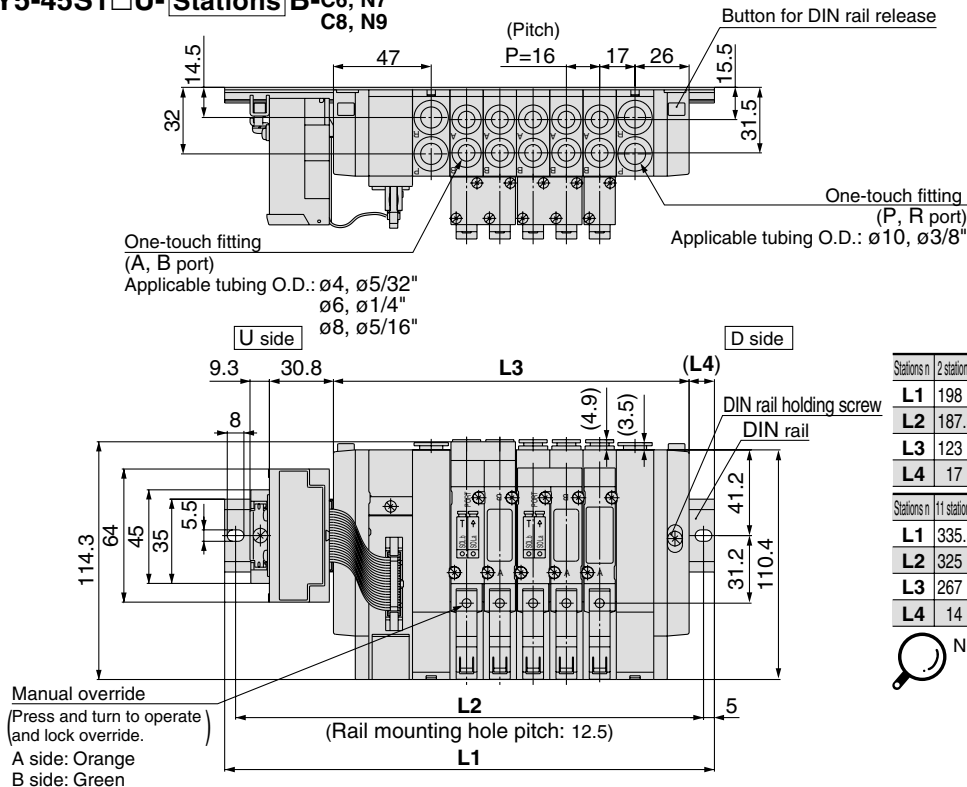
Note) The L1 to L4 dimensions of SS5Y5-45S1□U- Stations U- C4, N3 C6, N7 C8, N9 are identical to those of SS5Y5-45S1□U- Stations D- C4, N3 C6, N7 C8, N9.

Stations n	2 stations	3	4	5	6	7	8	9	10 stations
L1	173	185.5	210.5	223	235.5	260.5	273	285.5	298
L2	162.5	175	200	212.5	225	250	262.5	275	287.5
L3	105	121	137	153	169	185	201	217	233
L4	13.5	12	16.5	14.5	13	17.5	15.5	14	12



Note) Width of SI unit applicable to "E": Matsushita Electric Works, Ltd. and "G": Rockwell Automation, Inc. widens to [24.3 mm]. For further information, please consult with SMC.

SS5Y5-45S1□U- Stations B- C4, N3
C6, N7
C8, N9



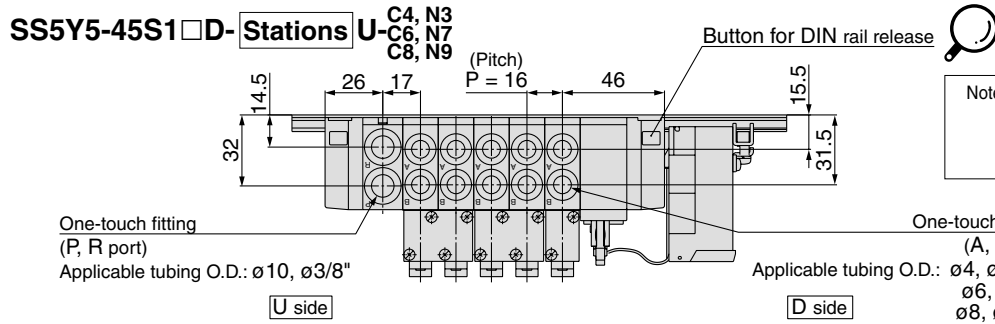
Stations n	2 stations	3	4	5	6	7	8	9	10 stations
L1	198	210.5	223	235.5	260.5	273	285.5	310.5	323
L2	187.5	200	212.5	225	250	262.5	275	300	312.5
L3	123	139	155	171	187	203	219	235	251
L4	17	15.5	13.5	12	16.5	14.5	13	17.5	15.5

Stations n	11 stations	12	13	14	15	16 stations
L1	335.5	348	373	385.5	398	410.5
L2	325	337.5	362.5	375	387.5	400
L3	267	283	299	315	331	347
L4	14	12	16.5	15	13	11.5



Note) Width of SI unit applicable to "E": Matsushita Electric Works, Ltd. and "G": Rockwell Automation, Inc. widens to [24.3 mm]. For further information, please consult with SMC.

SY5000: Serial Transmission Unit/Plug-in



Note) The L1 to L4 dimensions of **SS5Y5-45S1 □ D - Stations D** ^{C4, N3}
_{C6, N7}
^{C8, N9} are identical to those of **SS5Y5-45S1 □ D - Stations U** ^{C4, N3}
_{C6, N7}
^{C8, N9}.

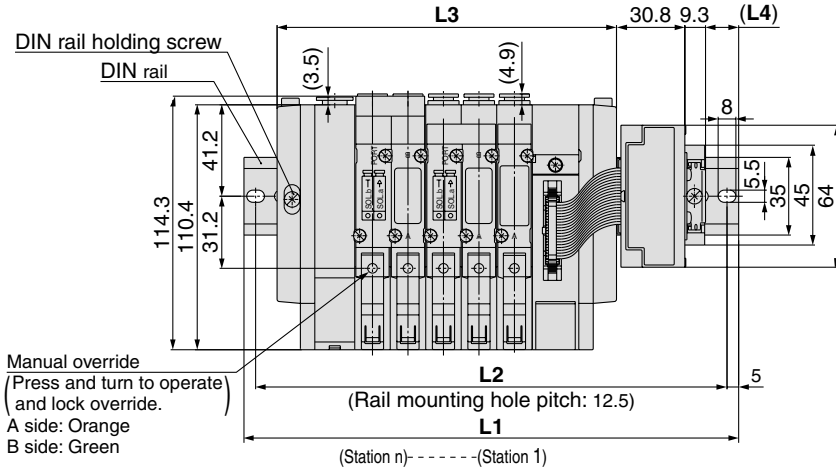
SV

SZ

SY

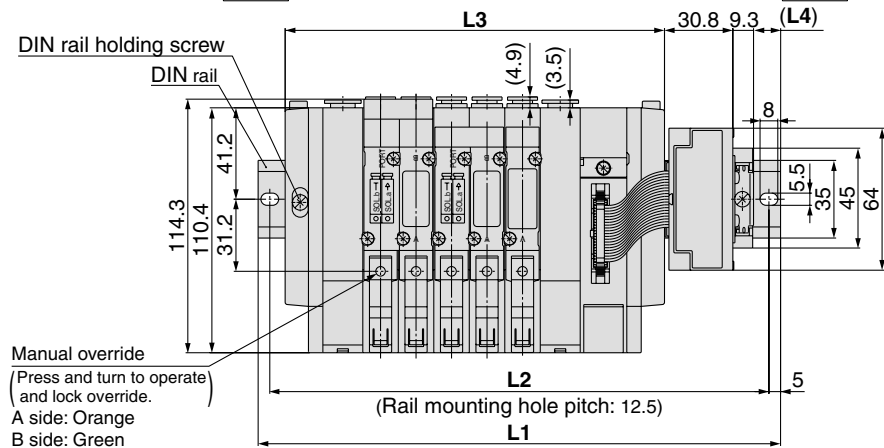
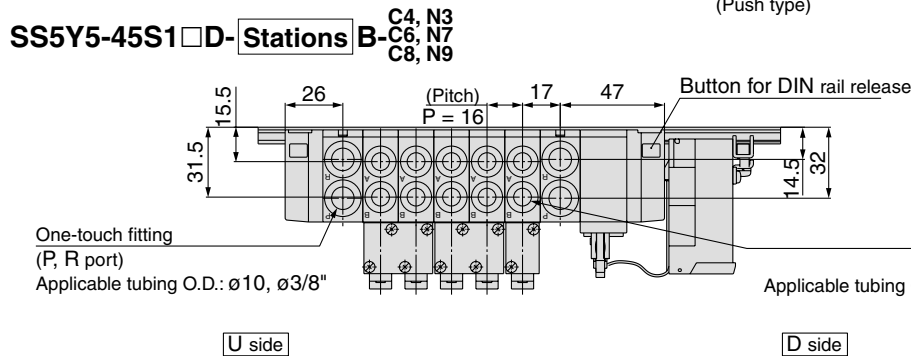
SYJ

SX



Stations n	2 stations	3	4	5	6	7	8	9	10 stations
L1	173	185.5	210.5	223	235.5	260.5	273	285.5	298
L2	162.5	175	200	212.5	255	250	262.5	275	287.5
L3	105	121	137	153	169	185	201	217	233
L4	13.5	12	16.5	14.5	13	17.5	15.5	14	12

Note) Width of SI unit applicable to "E":
Matsushita Electric Works, Ltd. and "G":
Rockwell Automation, Inc. widens to [24.3 mm]. For further information, please consult with SMC.



Stations n	2 stations	3	4	5	6	7	8	9	10 stations
L1	198	210.5	223	235.5	260.5	273	285.5	310.5	323
L2	187.5	200	212.5	225	250	262.5	275	300	312.5
L3	123	139	155	171	187	203	219	235	251
L4	17	15.5	13.5	12	16.5	14.5	13	17.5	15.5

Stations n	11 stations	12	13	14	15	16 stations
L1	335.5	348	373	385.5	398	410.5
L2	325	337.5	362.5	375	387.5	400
L3	267	283	299	315	331	347
L4	14	12	16.5	15	13	11.5

Note) Width of SI unit applicable to "E":
Matsushita Electric Works, Ltd. and "G":
Rockwell Automation, Inc. widens to [24.3 mm]. For further information, please consult with SMC.

3 Port Valve

Series SY300/500

Mixed Mounting Type on 5 Port Valve Manifold

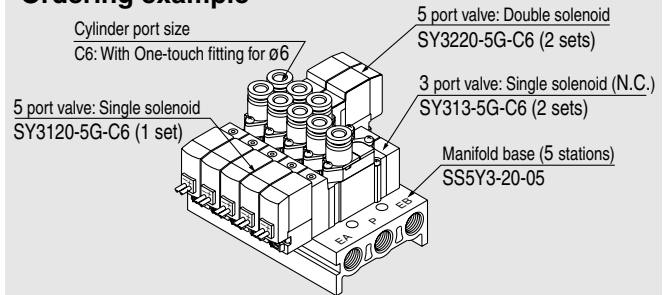
3 port valve can be mounted on manifold for 5 port valve.

Application

Possible to be mounted on all kinds of manifolds for Series SY3000/5000.
Refer to "How to Order Manifold" for details.

How to Order Valve Manifold Assembly

Ordering example



SS5Y3-20-05	1 set (Type 20, 5 station manifold base part no.)
*SY313-5G-C6	2 sets (3 port valve, type NC part no.)
*SY3120-5G-C6	1 set (5 port valve, single solenoid part no.)
*SY3220-5G-C6	2 sets (5 port valve, double solenoid part no.)

The asterisk denotes the symbol for assembly.
Prefix it to the part nos. of the solenoid valve, etc.

Add the valve and option part number under the manifold base part number. In the case of complex arrangement, specify them on the manifold specification sheet.

Body Ported/How to Order Valves

Individual Wiring: For SS5Y³-20

SY 5 1 3 **5 L** **01**

● **Thread type**

Nil	Rc
F	G
N	NPT
T	NPTF

● **Series**

3	SY300
5	SY500

● **Type of actuation**

1	Normally closed (N.C.)
2	Normally open

● **Solenoid type**

Nil	Single solenoid
D	Double solenoid

● **Coil specifications**

Nil	Standard
T	With power saving circuit (24 VDC, 12 VDC only)

* Power saving circuit is not available in the case of "D", "DO" or "W□" type.

● **Thread piping**

Symbol	Port size	Applicable series
M5	M5 x 0.8	SY300
01	1/8	SY500

● **Manual override**

Nil	Non-locking push type
D	Push-turn locking slotted type
E	Push-turn locking lever type

● **Rated voltage**

DC	AC
5	1
6	2
V	3
S	4
R	

24 VDC	100 VAC
12 VDC	200 VAC
6 VDC	110 VAC [115 VAC]
5 VDC	220 VAC [230 VAC]
3 VDC	

*DC specifications of type "D" and "DO" is only available with 12 and 24 VDC.
* For type "W□", DC voltage is only available.

● **Electrical entry**

24, 12, 6, 5, 3 VDC/ 100, 110, 200, 220 VAC			24, 12 VDC/ 100, 110, 200, 220 VAC		24, 12, 6, 5, 3 VDC	
Grommet	L plug connector	M plug connector	DIN terminal	M8 connector		
G: Lead wire length 300 mm	L: With lead wire (Length 300 mm)	M: With lead wire (Length 300 mm)	D: With connector	WO: Without connector cable		
H: Lead wire length 600 mm	LN: Without lead wire	MN: Without lead wire	DO: Without connector			
	LO: Without connector	MO: Without connector				

* "LN", "MN" type: with 2 sockets. * For connector cable of M8 connector, refer to page 1-4-209.

* For DIN terminal of SY300 series, refer to page 1-4-207.

* DIN terminal type "Y" conforming to DIN 43650C is also available. For details, refer to page 1-4-201.

● **Light/Surge voltage suppressor**

Electrical entry for G, H, L, M, W	
Nil	Without light/surge voltage suppressor
S	With surge voltage suppressor
Z	With light/surge voltage suppressor
R	With surge voltage suppressor (Non-polar type)
U	With light/surge voltage suppressor (Non-polar type)

Electrical entry for D (SY500 only)	
Nil	Without light/surge voltage suppressor
S	With surge voltage suppressor
Z	With light/surge voltage suppressor

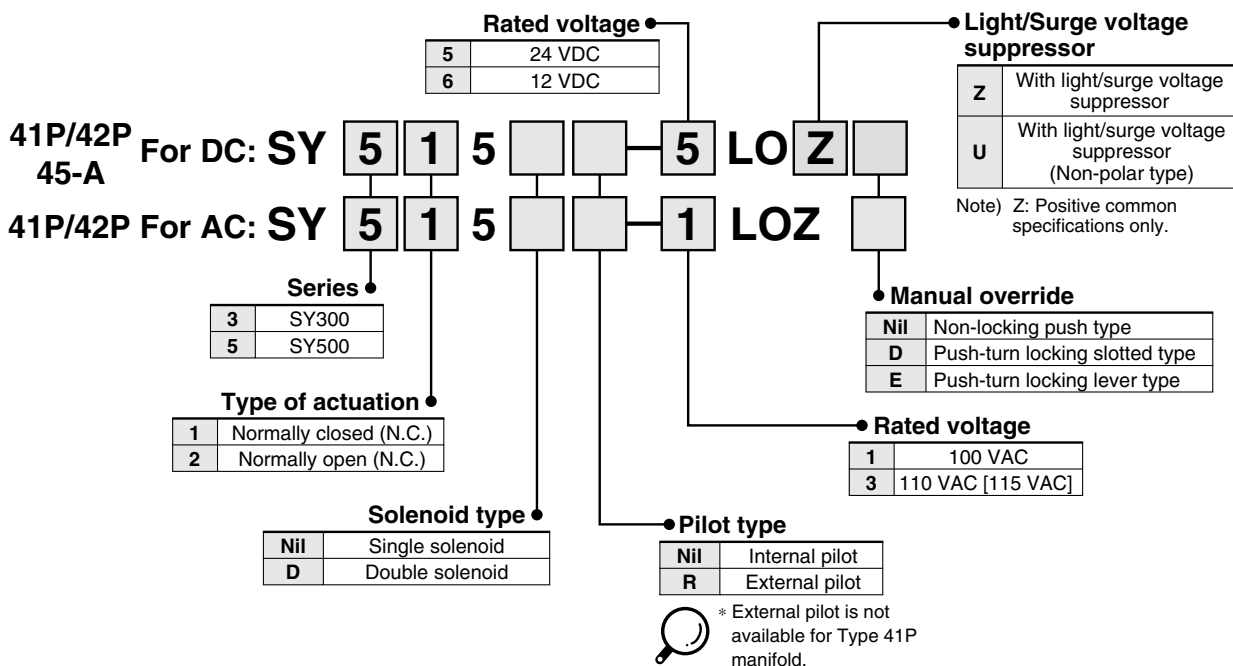
* "DOZ" is not available.
* For AC voltage valves there is no "S" option. It is already built-in to the rectifier circuit.
* For "R" and "U", DC voltage is only available.
* Power saving circuit is only available in the "Z" type.

- SV
- SZ
- SY
- SYJ
- SX

Note) When placing an order for body ported solenoid valve as a single unit, mounting bolt for manifold and gasket are not attached. Order them separately, if necessary.
(For details, refer to catalog on page 1-4-61.)

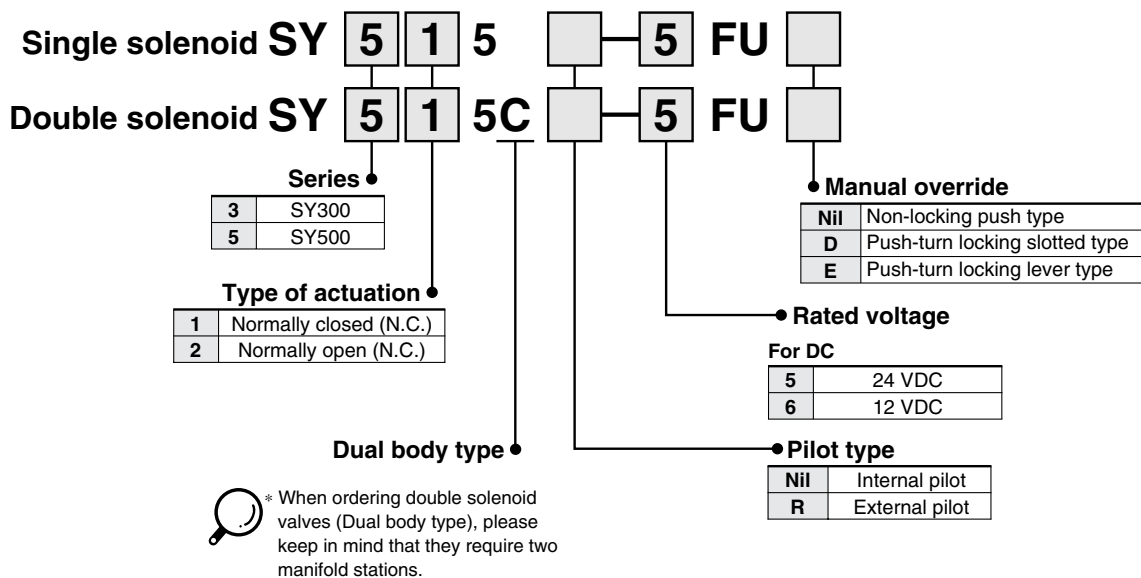
Base Mounted/How to Order Valves

Flat ribbon cable:
Connector box type: For SS5Y³-41P/42P/45-A



- SV
- SZ
- SY
- SYJ
- SX

Plug-in: For SS5Y³-45□

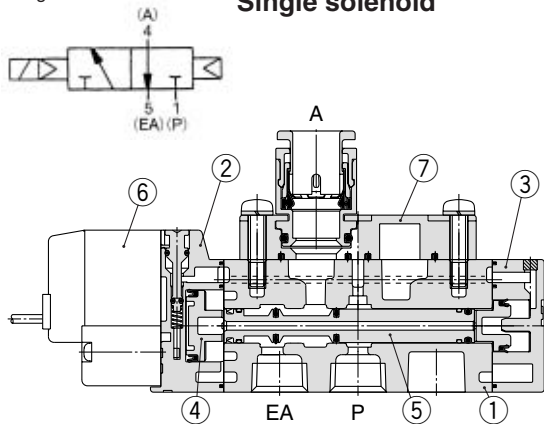


Series SY3000/5000

Construction

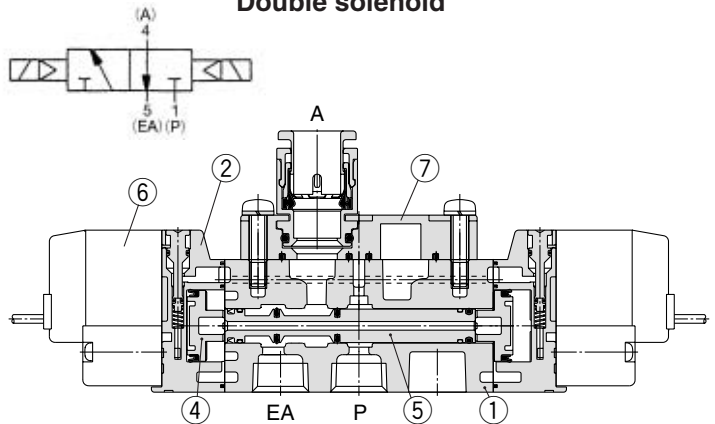
JIS Symbol
Single solenoid

Normally closed (N.C.)
Single solenoid



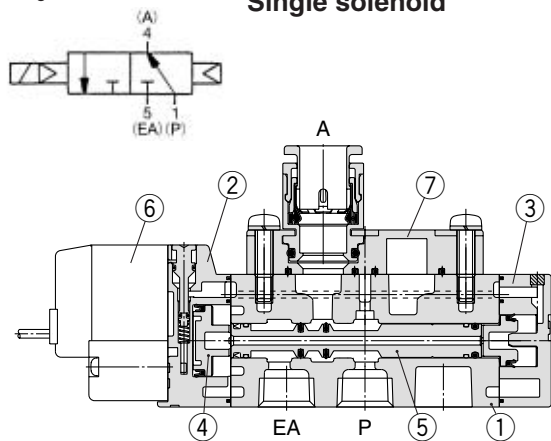
JIS Symbol
Double solenoid

Normally closed (N.C.)
Double solenoid



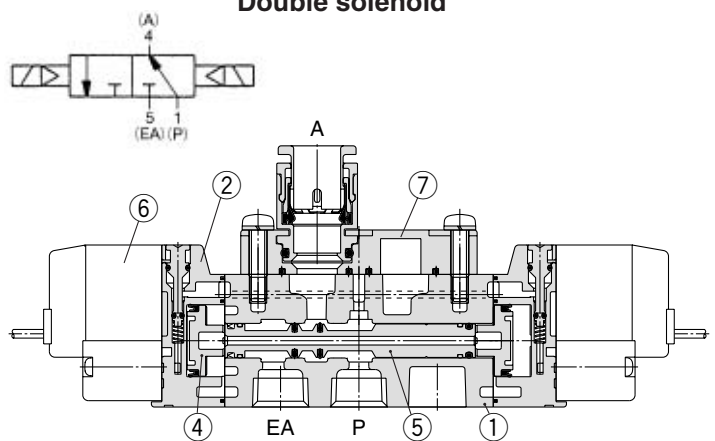
JIS Symbol
Single solenoid

Normally open (N.O.)
Single solenoid



JIS Symbol
Double solenoid

Normally open (N.O.)
Double solenoid



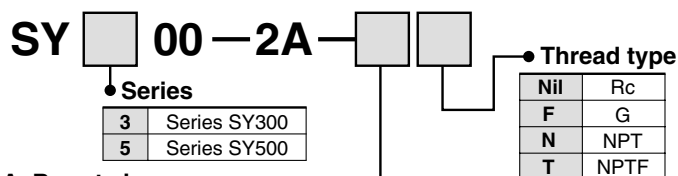
Component Parts

No.	Description	Material	Note
①	Body	Aluminum die-casted (SY3000: Zinc die-casted)	White
②	Adapter plate	Resin	White
③	End plate	Resin	White
④	Piston	Resin	—
⑤	Spool valve assembly	Aluminum, HNBR	—

Replacement Parts

No.	Description	No.
⑥	Pilot valve assembly	Refer to "How to Order Pilot Valve Assembly" on page 1-4-10.
⑦	M5 port block assembly	Refer to "How to Order Port Block Assembly" below.

How to Order M5 Port Block Assembly



A, B port size
Thread piping

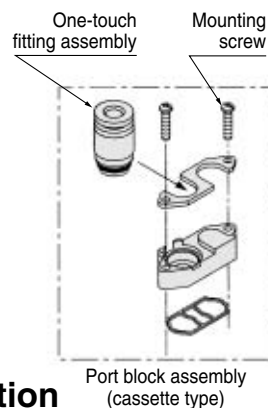
Symbol	Port size	Applicable series
M5	M5 x 0.8	SY300
O1	1/8	SY500

One-touch fitting (Metric size)

Symbol	Port size	Applicable series
C4	One-touch fitting for ø4	SY300
C6	One-touch fitting for ø6	SY300
C4	One-touch fitting for ø4	SY500
C6	One-touch fitting for ø6	SY500
C8	One-touch fitting for ø8	SY500

One-touch fitting (Inch size)

Symbol	Port size	Applicable series
N3	One-touch fitting for ø5/32"	SY300
N7	One-touch fitting for ø1/4"	SY300
N3	One-touch fitting for ø5/32"	SY500
N7	One-touch fitting for ø1/4"	SY500
N9	One-touch fitting for ø5/16"	SY500



* Only replacement of the fittings assembly is possible.

Metric size

SY300	One-touch fitting for ø4	VVQ1000-50A-C4
	One-touch fitting for ø6	VVQ1000-50A-C6
SY500	One-touch fitting for ø4	VVQ1000-51A-C4
	One-touch fitting for ø6	VVQ1000-51A-C6
	One-touch fitting for ø8	VVQ1000-51A-C8

Inch size

SY300	One-touch fitting for ø5/32"	VVQ1000-50A-N3
	One-touch fitting for ø1/4"	VVQ1000-50A-N7
SY500	One-touch fitting for ø5/32"	VVQ1000-51A-N3
	One-touch fitting for ø1/4"	VVQ1000-51A-N7
	One-touch fitting for ø5/16"	VVQ1000-51A-N9

Caution

Mounting screw tightening torques

SY300 (M2) : 0.12 N·m
SY500 (M3) : 0.6 N·m

Specifications

Dimensions, specifications, solenoid specifications, response time and effective area are the same as 5 port valve.

Weight

Series SY300

Valve model	Type of actuation	Weight (g)	
		Grommet	L, M plug connector
SY3□3-□□-M5	Single	51	53
	Double	68	74
SY3□3-□□-C4 N3	Single	56	59
	Double	74	79
SY3□3-□□-C6 N7	Single	54	57
	Double	72	77
SY3□5-□□	Single	47	50
	Double	65	70

Series SY500

Valve model	Type of actuation	Weight (g)		
		Grommet	L, M plug connector	DIN terminal
SY5□3-□-01□	Single	69	72	93
	Double	87	93	135
SY5□3-□-C4 N3	Single	82	82	103
	Double	100	102	144
SY5□3-□-C6 N7	Single	79	77	98
	Double	97	98	140
SY5□3-□-C8 N9	Single	75	84	105
	Double	93	105	147
SY5□5-□□	Single	55	58	79
	Double	73	78	120

SV

SZ

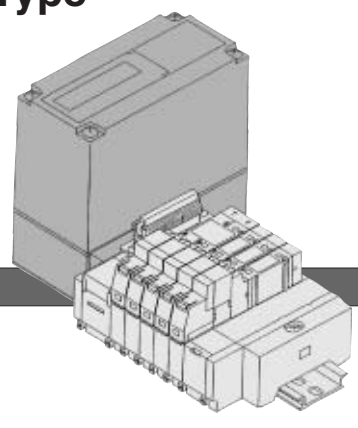
SY

SYJ

SX

Type **45S2**

Made to Order Specifications: Series SX3000/5000 Serial Transmission Type With SMC's IN313



Serial Transmission Manifold Equipped with SMC's IN313

How to Order Manifold

Type 45S2 (Serial type with IN313)

SS5Y 3-45S2 U-06 D-C4

Series

3	SY3000
5	SY5000

SI unit mounting position

Symbol	Mounting position
U	U side
D	D side

Valve stations

Symbol	Stations	Note
02	2 stations	Single wiring spec. (Applicable up to 16 solenoid valves.)
:	:	
16	16 stations	

* This also includes the number of blanking plate assemblies.
* Two stations are necessary for the double, 3 position (Dual body type).

SUP/EXH block assembly mounting position

Symbol	Mounting position	Stations
U	U side	2 to 10 stations
D	D side	2 to 10 stations
B	Both sides	2 to 16 stations
M	Special specifications	

* For special specifications, indicate separately on the manifold specification sheet.

A, B port size

One-touch fitting (Metric size)

Symbol	Port size	Applicable series
C4	One-touch fitting for ø4	SY3000
C6	One-touch fitting for ø6	
M	Mixed	
C4	One-touch fitting for ø4	SY5000
C6	One-touch fitting for ø6	
C8	One-touch fitting for ø8	
M	Mixed	

One-touch fitting (Inch size)

Symbol	Port size	Applicable series
N3	One-touch fitting for ø5/32"	SY3000
N7	One-touch fitting for ø1/4"	
M	Mixed	
N3	One-touch fitting for ø5/32"	SY5000
N7	One-touch fitting for ø1/4"	
N9	One-touch fitting for ø5/16"	
M	Mixed	

* In the case of mixed specifications, indicate separately on the manifold specification sheet.

Option

When a longer DIN rail is desired than the specified stations, specify the station number to be required. (20 stations at maximum)

How to Order Applicable SI Unit

IN313 — MB1

Applicable makers

MB1	For Mitsubishi Electric Corporation
TA1	For OMRON Corporation
FU1	For Fuji Electric Co., Ltd.
SH1	For SHARP Corporation
TY1	For Toyoda Machine Works, Ltd.
TY2	
PA1	For Matsushita Electric Works Ltd.
HT1	For Hitachi, Ltd.
AB1	For Rockwell Automation, Inc.
TS1	For TOSHIBA Corporation

How to Order Valves

2 position single **SY 3 1 4 0 — 5 FU**

Double, 3 position **SY 3 2 4 5 — 5 FU**

Series

3	SY3000
5	SY5000

Type of actuation

2	2 position double
3	3 position closed center
4	3 position exhaust center
5	3 position pressure center

Dual body type (Double, 3 position)

Rated voltage

5	24 VDC
---	--------

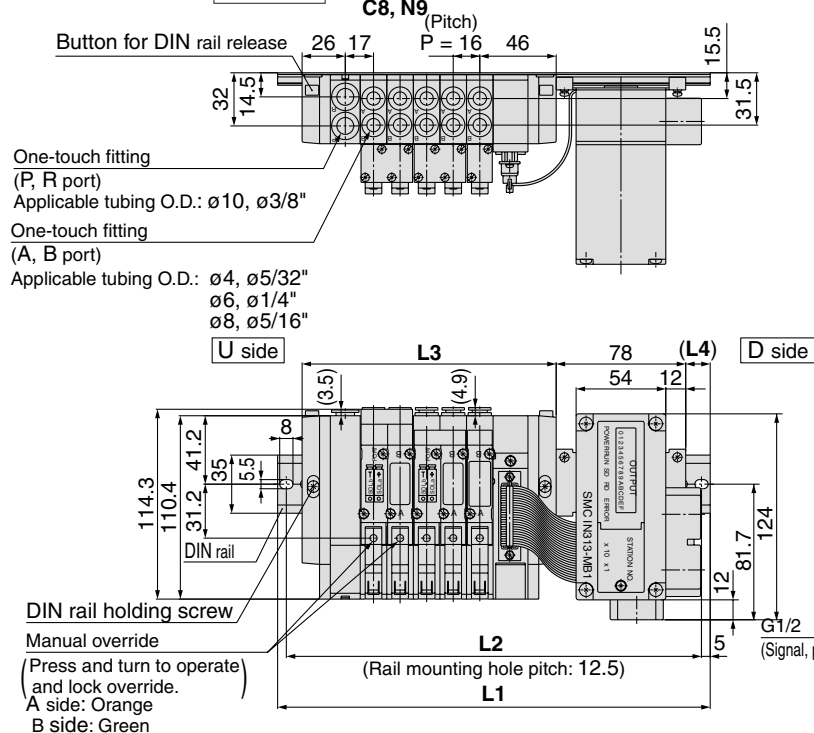
Manual override

Nil	Non-locking push type
D	Push-turn locking slotted type
E	Push-turn locking lever type

For external pilot specifications and built-in silencer, refer to page 1-4-196.

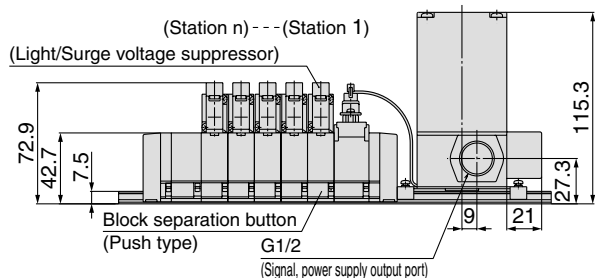
SY5000: Serial Transmission Unit/Plug-in

SS5Y3-45S2D- Stations U-C4, N3, C6, N7, C8, N9



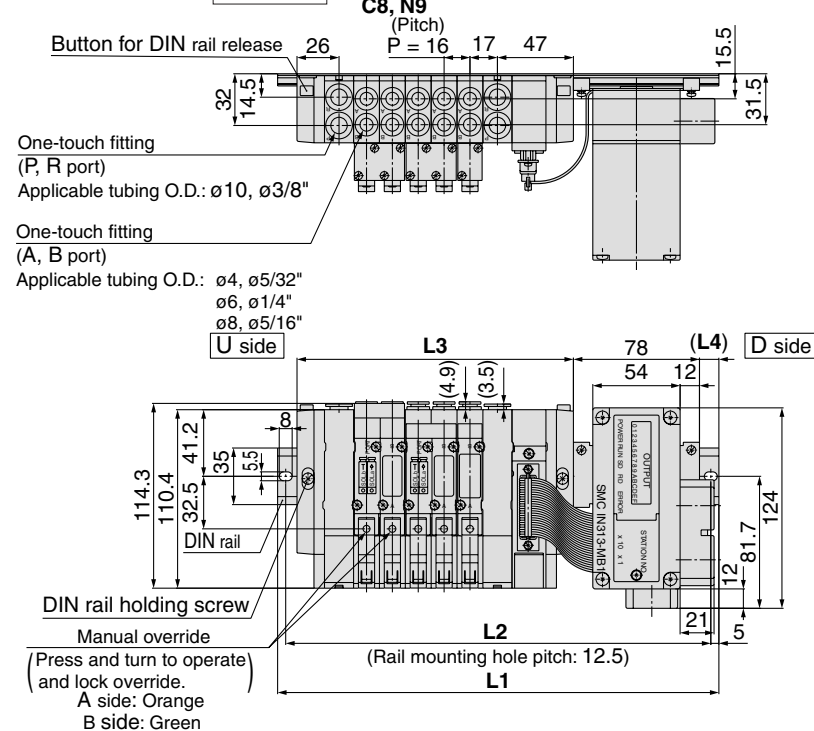
Note) The L1 to L4 dimensions of SS5Y3-45S2D-

Stations D-C4, N3, C6, N7, C8, N9, SS5Y3-45S2U- Stations D-C4, N3, C6, N7, C8, N9
SS5Y3-45S2U- Stations U-C4, N3, C6, N7, C8, N9 are identical to those of SS5Y3-45S2D- Stations U-C4, N3, C6, N7, C8, N9.



Stations n	2 stations	3	4	5	6	7	8	9	10 stations
L1	210.5	223	248	260.5	273	298	310.5	323	335.5
L2	200	212.5	237.5	250	262.5	287.5	300	312.5	325
L3	105	121	137	153	169	185	201	217	233
L4	13.5	12	16.5	14.5	13	17.5	15.5	14	12

SS5Y5-45S2U- Stations B-C4, N3, C6, N7, C8, N9



Note) The L1 to L4 dimensions of SS5Y5-45S2U-

Stations B-C4, N3, C6, N7, C8, N9 are identical to those of SS5Y5-45S2D- Stations B-C4, N3, C6, N7, C8, N9.

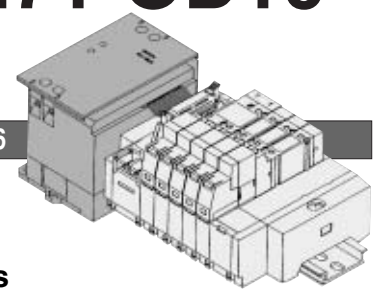
Stations n	2 stations	3	4	5	6	7	8	9 stations
L1	235.5	248	260.5	273	298	310.5	323	348
L2	225	237.5	250	262.5	287.5	300	312.5	337.5
L3	123	139	155	171	187	203	219	235
L4	17	15.5	13.5	12	16.5	14.5	13	17.5

Stations n	10 stations	11	12	13	14	15	16 stations
L1	360.5	373	385.5	410.5	423	435.5	460.5
L2	350	362.5	375	400	412.5	425	450
L3	251	267	283	299	315	331	347
L4	15.5	14	12	16.5	15	13	17.5

Type **45S3**

Made to Order Specifications: Series *SX3000/5000* Serial Transmission Type With OMRON Corp's G71-OD16

Serial Transmission Manifold Equipped with OMRON Corp's Transmission Unit G71-OD16



How to Order Manifold

Type 45S3 (Serial type with transmission unit)

SS5Y 3 - 45S3 [] U - 06 D - C4 []

Series

3	SY3000
5	SY5000

Specifications

Symbol	Specifications
Nil	With transmission unit
0 ^(Note)	Without transmission unit

Note) Even though when it is not equipped with transmission unit, DIN rail length is long enough for future expectancy of mounting transmission unit. When a shorter rail is required (same as type 45□), suffix "0" in the optional blank at the end of part number.

Transmission unit mounting position

Symbol	Mounting position
U	U side
D	D side

Valve stations

Symbol	Stations	Note
02	2 stations	Single wiring spec. (Applicable up to 16 solenoid valves.)
:	:	
16	16 stations	

* This also includes the number of blanking plate assemblies.
* Two stations are necessary for the double, 3 position (Dual body type).

SUP/EXH block assembly mounting position

Symbol	Mounting position	Stations
U	U side	2 to 10 stations
D	D side	2 to 10 stations
B	(Both sides)	2 to 16 stations
M		Special specifications

* For special specifications, indicate separately on the manifold specification sheet.

A, B port size

One-touch fitting (Metric size)

Symbol	Port size	Applicable series
C4	One-touch fitting for ø4	SY3000
C6	One-touch fitting for ø6	
M	Mixed	
C4	One-touch fitting for ø4	SY5000
C6	One-touch fitting for ø6	
C8	One-touch fitting for ø8	
M	Mixed	

One-touch fitting (Inch size)

Symbol	Port size	Applicable series
N3	One-touch fitting for ø 5/32"	SY3000
N7	One-touch fitting for ø 1/4"	
M	Mixed	
N3	One-touch fitting for ø 5/32"	SY5000
N7	One-touch fitting for ø 1/4"	
N9	One-touch fitting for ø 5/16"	
M	Mixed	

* In the case of mixed specifications, indicate separately on the manifold specification sheet.

Option

When a longer DIN rail is desired than the specified stations, specify the station number to be required. (20 stations at maximum)

For external pilot specifications and built-in silencer, refer to page 1-4-196.

How to Order Valves

2 position single **SY 3 1 4 0 - 5 FU []**

Double, 3 position **SY 3 2 4 5 - 5 FU []**

Series

3	SY3000
5	SY5000

Type of actuation

2	2 position double
3	3 position closed center
4	3 position exhaust center
5	3 position pressure center

Dual body type (Double, 3 position)

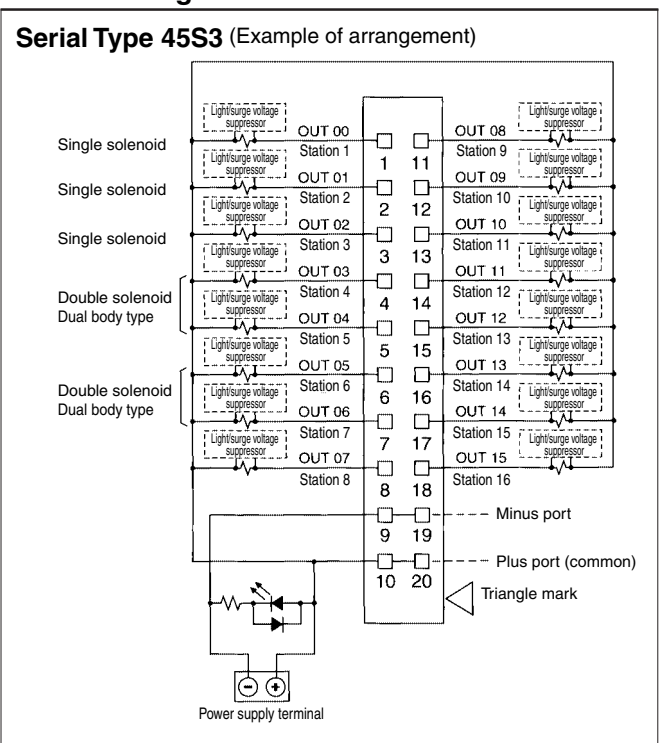
Rated voltage

5	24 VDC
---	--------

Manual override

Nil	Non-locking push type
D	Push-turn locking slotted type
E	Push-turn locking lever type

Internal Wiring of Manifold



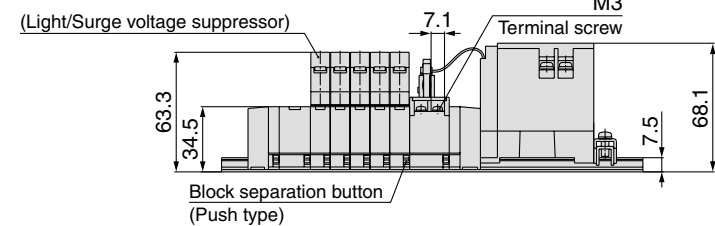
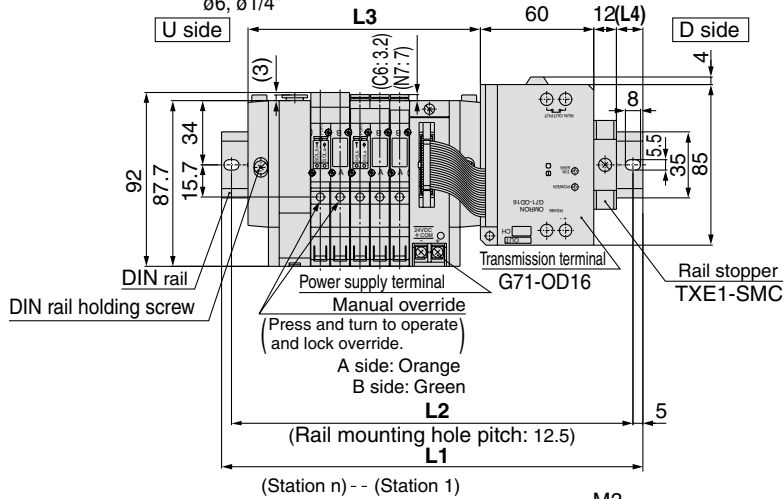
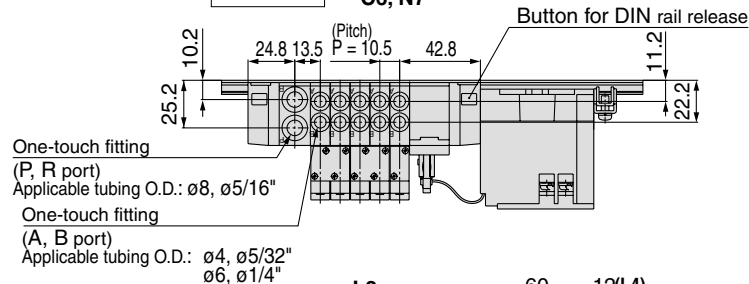
- For specifications on OMRON Corp's transmitter terminals, refer to the instruction manual or the catalog of transmitter terminals, etc.
- Max. 16 solenoids are applicable. Please consult with SMC for more solenoids.

Caution

The wiring specifications for SS5Y₃-45S30 are different from those for SS5Y₃-45PG.

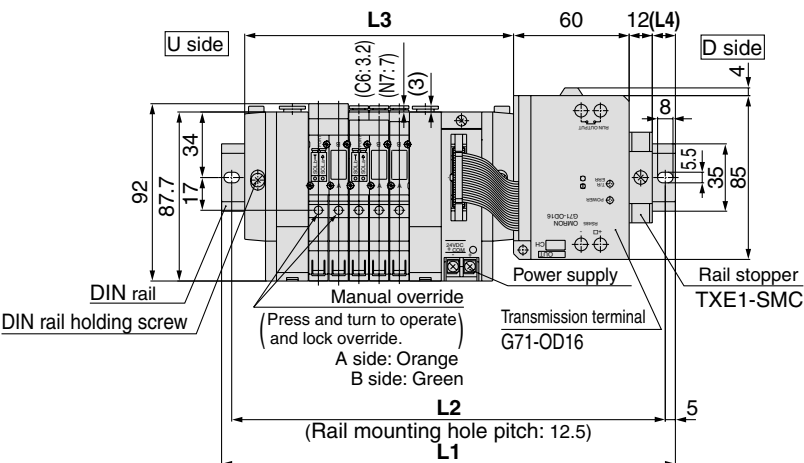
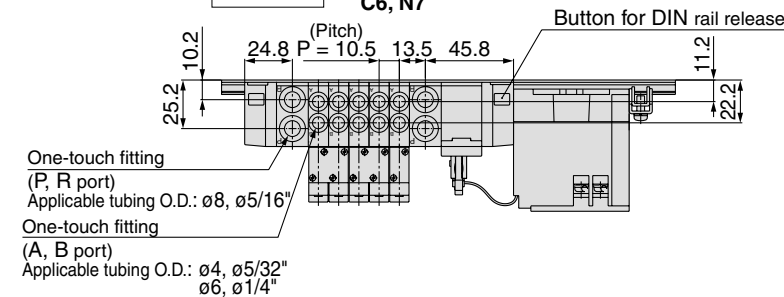
SY3000: Serial Transmission Unit/Plug-in

SS5Y3-45S3D- Stations U-C4, N3
C6, N7



Stations n	2 stations	3	4	5	6	7	8	9	10 stations
L1	198	198	210.5	223	235.5	248	260.5	260.5	273
L2	187.5	187.5	200	212.5	225	237.5	250	250	262.5
L3	91.5	102	112.5	123	133.5	144	154.5	165	175.5
L4	17	12	13	14	15	16	17	11.5	12.5

SS5Y3-45S3D- Stations B-C4, N3
C6, N7



Note) The L1 to L4 dimensions of SS5Y3-45S3D- Stations D-C4, N3 C6, N7, SS5Y3-45S3U- Stations D-C4, N3 C6, N7, SS5Y3-45S3U- Stations U-C4, N3 C6, N7 are identical to those of SS5Y3-45S3D- Stations U-C4, N3 C6, N7.

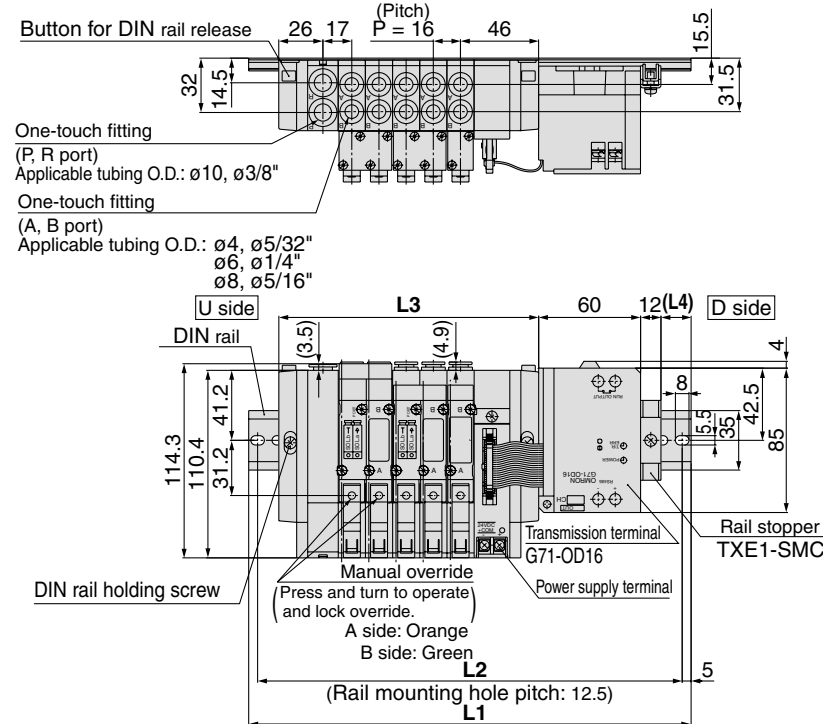
Note) The L1 to L4 dimensions of SS5Y3-45S3U- Stations B-C4, N3 C6, N7 are identical to those of SS5Y3-45S3D- Stations B-C4, N3 C6, N7.

Stations n	2 stations	3	4	5	6	7	8	9 stations
L1	210.5	223	235.5	235.5	248	260.5	273	285.5
L2	200	212.5	225	225	237.5	250	262.5	275
L3	108	118.5	129	139.5	150	160.5	171	181.5
L4	15	16	17	12	13	14	15	16

Stations n	10 stations	11	12	13	14	15	16 stations
L1	298	298	310.5	323	335.5	348	360.5
L2	287.5	287.5	300	312.5	325	337.5	350
L3	192	202.5	213	223.5	234	244.5	255
L4	17	11.5	12.5	13.5	14.5	15.5	16.5

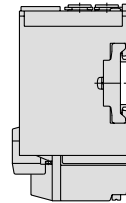
SY5000: Serial Transmission Unit/Plug-in

**SS5Y5-45S3D- Stations U-C4, N3
C6, N7
C8, N9**



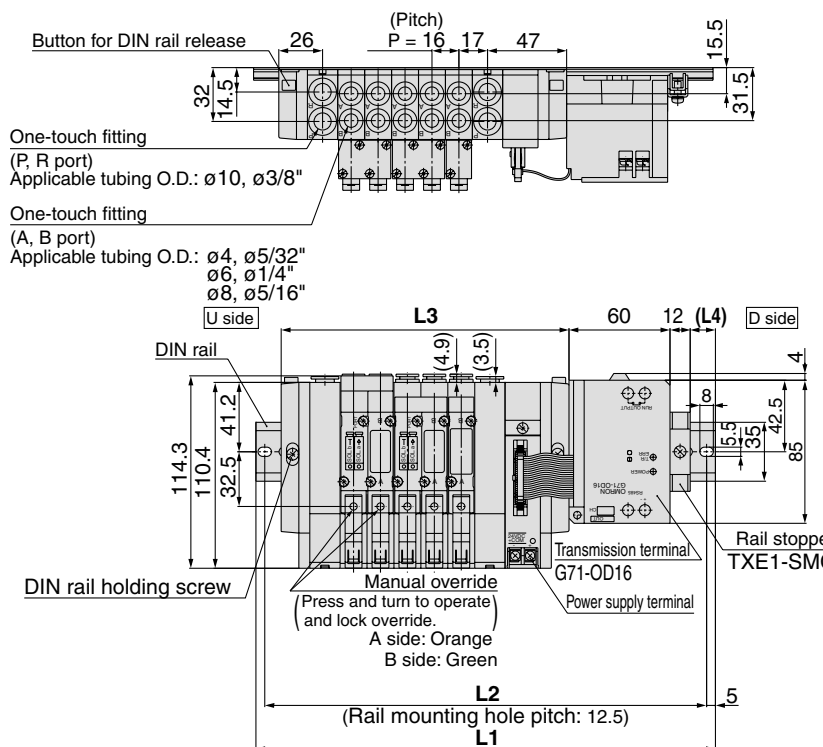
Note) The L1 to L4 dimensions of **SS5Y5-45S3D-**

Stations D- C4, N3 C6, N7, **SS5Y5-45S3U- Stations D-** C4, N3 C6, N7, **Stations U-** C4, N3 C6, N7 are identical to those of SS5Y5-45S3D- **Stations U-** C4, N3 C6, N7, C8, N9



Stations n	2 stations	3	4	5	6	7	8	9	10 stations
L1	210.5	223	235.5	260.5	273	285.5	298	323	335.5
L2	200	212.5	225	250	262.5	275	287.5	312.5	325
L3	105	121	137	153	169	185	201	217	233
L4	16.5	15	13	17.5	16	14	12.5	17	15

**SS5Y5-45S3D- Stations B-C4, N3
C6, N7
C8, N9**



Note) The L1 to L4 dimensions of **SS5Y5-**

45S3U- Stations B- C4, N3 C6, N7 are identical to those of SS5Y5-45S3D- **Stations B-** C4, N3 C6, N7, C8, N9

Stations n	2 stations	3	4	5	6	7	8	9 stations
L1	223	235.5	260.5	273	285.5	310.5	323	335.5
L2	212.5	225	250	262.5	275	300	312.5	325
L3	123	139	155	171	187	203	219	235
L4	14	12	16.5	15	13	17.5	16	14

Stations n	10 stations	11	12	13	14	15	16 stations
L1	348	373	385.5	398	410.5	435.5	448
L2	337.5	362.5	375	387.5	400	425	437.5
L3	251	267	283	299	315	331	347
L4	12.5	17	15	13.5	11.5	16	14.5

- SV
- SZ
- SY
- SYJ
- SX

Made to Order Specifications: Series SY3000/5000

External Pilot/Built-in Silencer

External pilot manifold bases for low-pressure/vacuum use are added to split style/DIN rail manifolds. The built-in silencer has materialized a clear-cut appearance.

Type **45**

Individual Wiring/Connector Box Type

How to Order Manifold

Type 45

SS5Y³₅-45(-A)-05 U R C6

Series

3	SY3000
5	SY5000

Valve stations

Symbol	Stations
02	2 stations
:	:
20	20 stations

The number of blanking plate assembly is included.

SUP/EXH block assembly mounting position

Symbol	Mounting position	Stations
U	U side	2 to 10 stations
D	D side	
B	Both sides	2 to 20 stations
M	Special specifications	

* For special specifications, indicate separately on the manifold specification sheet.

SUP/EXH block assembly specifications

Symbol	Specifications
R	External pilot
S	Internal pilot/Built-in silencer
RS	External pilot/Built-in silencer

Option

When a longer DIN rail is desired than the specified stations, specify the station number to be required. (Max. 20 stations)

A, B port size

One-touch fitting (Metric size)

Symbol	Port size	Applicable series
C4	One-touch fitting for ø4	SY3000
C6	One-touch fitting for ø6	
M	Mixed	
C4	One-touch fitting for ø4	SY5000
C6	One-touch fitting for ø6	
C8	One-touch fitting for ø8	
M	Mixed	

One-touch fitting (Inch size)

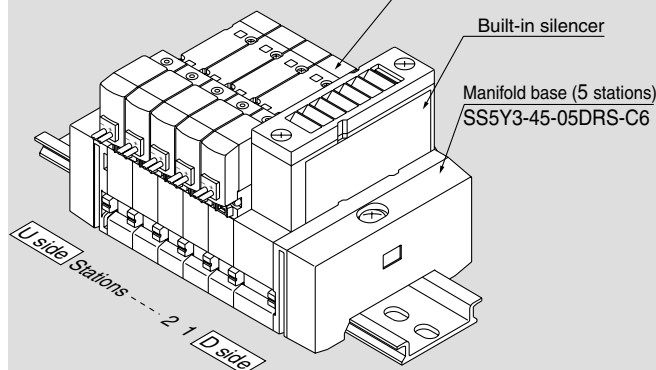
Symbol	Port size	Applicable series
N3	One-touch fitting for ø5/32"	SY3000
N7	One-touch fitting for ø1/4"	
M	Mixed	
N3	One-touch fitting for ø5/32"	SY5000
N7	One-touch fitting for ø1/4"	
N9	One-touch fitting for ø5/16"	
M	Mixed	

* In the case of mixed specifications, indicate separately on the manifold specification sheet.

How to Order Valve Manifold Assembly

Ordering example

Single solenoid (external pilot specifications)
SY3140R-5G (5 sets)



SS5Y3-45-05DRS-C6 1 set (External pilot with built-in silencer part no.)
* **SY3140R-5G** 5 sets (Single solenoid part no.)

* The asterisk denotes the symbol for assembly. Prefix it to the part nos. of the solenoid valve, etc.

The valve arrangement is numbered as the 1st. station from D side regardless of the mounting position of SUP/EXH block assembly. In ordering, specify the part nos. in the order from the 1st. station on D side. Besides, when the arrangement will be complicated, fill out the manifold specification sheet to instruct us. For manifolds with SUP/EXH block assembly at each end of the manifold, external pilot ports and silencers will be also located at each end of the manifold. The SUP/EXH block assembly (SX3/5000-51-1A), for special usage, as shown on page 1-4-130, can also be mounted. Please specify the mounting position, by correctly filling in the blank space on the manifold specification sheet.

How to Order Valves

SY 5 2 40 **5 L**

Series

3	SY3000
5	SY5000

Type of actuation

1	2 position single
2	2 position double
3	3 position closed center
4	3 position exhaust center
5	3 position pressure center

Pilot type

Nil	Internal pilot
R	External pilot

Coil specifications

Nil	Standard
T	With power saving circuit (24 VDC, 12 VDC only)

* Power saving circuit is not available in the case of "D", "DO" or "W" type.

Rated voltage

DC

5	24 VDC
6	12 VDC
V	6 VDC
S	5 VDC
R	3 VDC

AC (50/60 Hz)

1	100 VAC
2	200 VAC
3	110 VAC [115 VAC]
4	220 VAC [230 VAC]

* DC specifications of type "D" and "DO" is only available with 12 and 24 VDC.
 * For type "W", DC voltage is only available.
 * "D" and "DO" only available for SY5000.

Manual override

Nil	Non-locking push type
D	Push-turn locking slotted type
E	Push-turn locking lever type

Light/Surge voltage suppressor

Electrical entry for G, H, L, M, W

Nil	Without light/surge voltage suppressor
S	With surge voltage suppressor
Z	With light/surge voltage suppressor
R	With surge voltage suppressor (Non-polar type)
U	With light/surge voltage suppressor (Non-polar type)

* For AC voltage valves there is no "S" option. It is already built-in to the rectifier circuit.
 * For "R" and "U", DC voltage is only available.
 * Power saving circuit is only available in the "Z" type.

Electrical entry for D (SY5000 only)

Nil	Without light/surge voltage suppressor
S	With surge voltage suppressor (Non-polar type)
Z	With light/surge voltage suppressor (Non-polar type)

* "DOZ" is not available.
 * For AC voltage valves there is no "S" option. It is already built-in to the rectifier circuit.

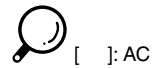
Electrical entry

24, 12, 6, 5, 3 VDC/100, 110, 200, 220 VAC			24, 12 VDC/ 100, 110, 200, 220 VAC	24, 12, 6, 5, 3 VDC
Grommet	L plug connector	M plug connector	DIN terminal	M8 connector
G: Lead wire length 300 mm	L: With lead wire (Length 300 mm)	M: With lead wire (Length 300 mm)	(SY5000 only) D: With connector DO: Without connector	WO: Without connector cable
H: Lead wire length 600 mm	LN: Without lead wire LO: Without connector	MN: Without lead wire MO: Without connector		

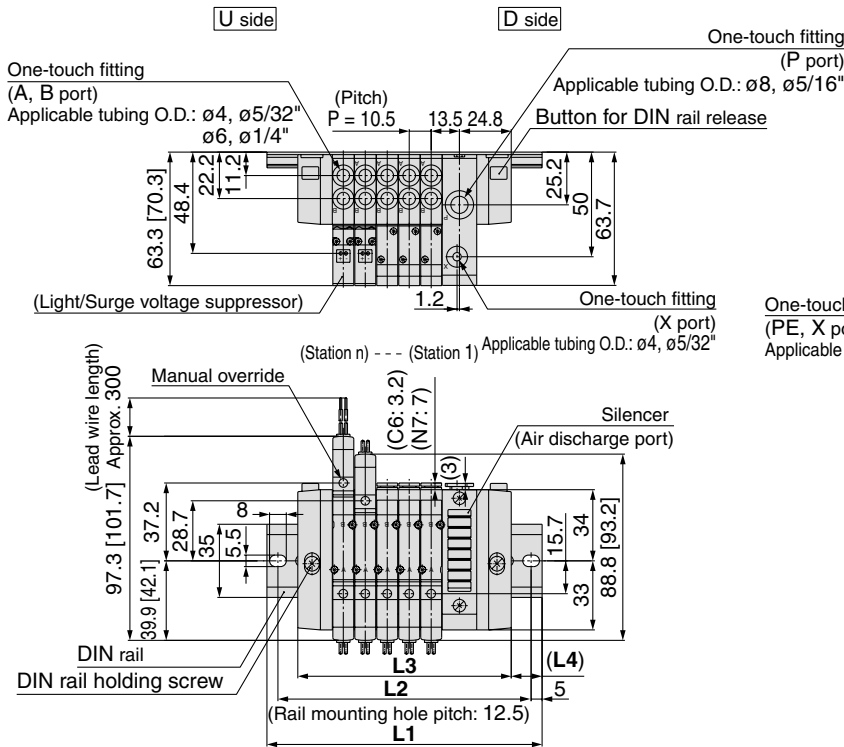
* "LN", "MN" type: with 2 sockets.
 * "D" and "DO" only available for SY5000.
 * DIN terminal type "Y" conforming to DIN43650C standard is also available. For details, refer to page 1-4-201.
 * Setting "-5LOU" is available only for connector box type.
 * For connector cable of M8 connector, refer to pages 1-4-209 to 210.

SV
SZ
SY
SYJ
SX

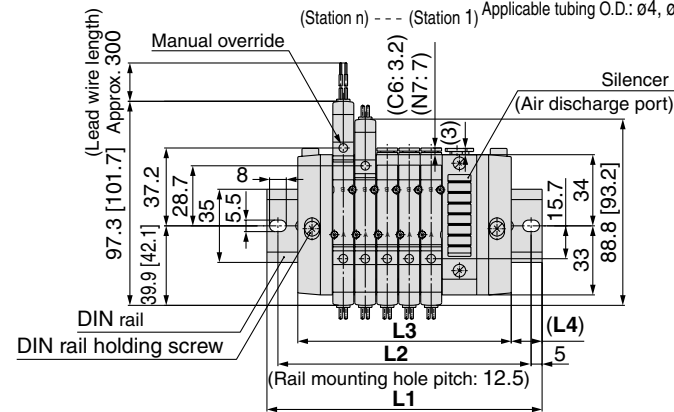
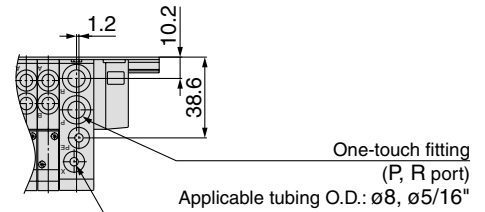
External Pilot/Built-in Silencer



SY3000: SS5Y3-45- Stations DRS- C4, N3
C6, N7

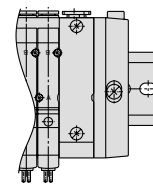


SS5Y3-45- Stations DR- C4, N3
C6, N7



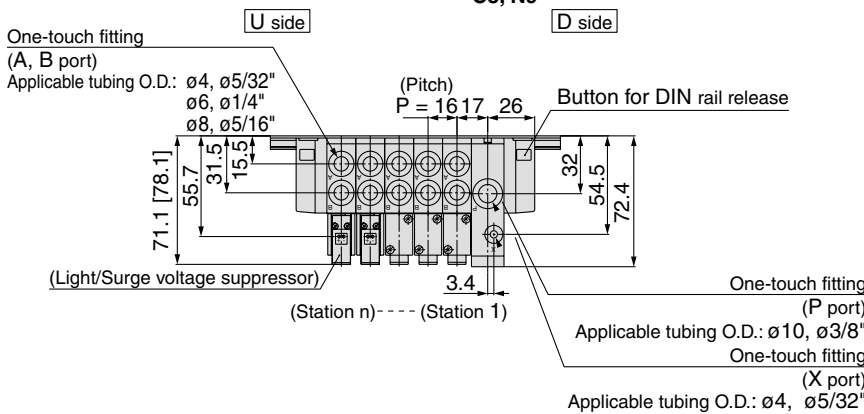
One-touch fitting (PE, X port)
Applicable tubing O.D.: ø4, ø5/32"

- SV
- SZ
- SY
- SYJ
- SX

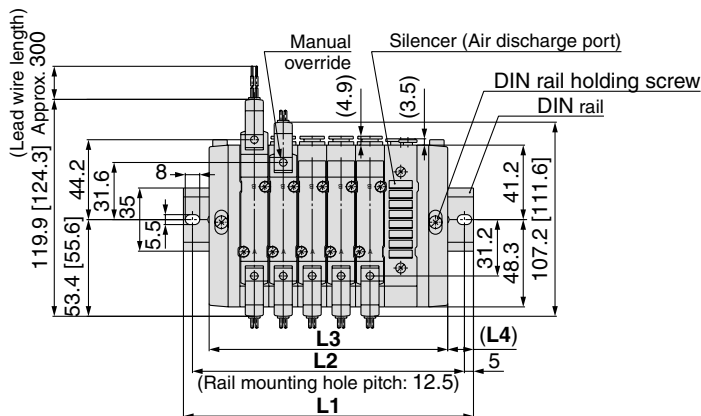
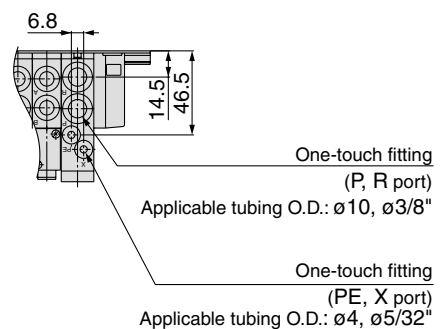


* The dimensions L1 to L4 are identical to those of SS5Y3-45- Stations DRS- C4, N3, C6, N7.

SY5000: SS5Y5-45- Stations DRS- C4, N3
C6, N7, C8, N9



SS5Y5-45- Stations DR- C4, N3
C6, N7, C8, N9



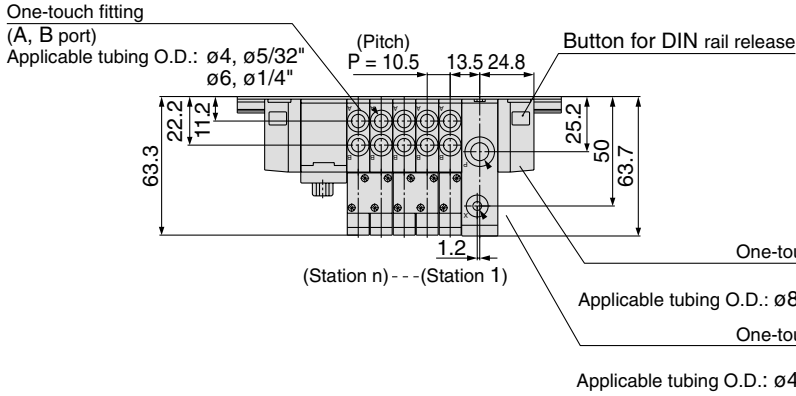
* The dimensions L1 to L4 are identical to those of SS5Y3-45- Stations DRS- C4, N3, C6, N7, C8, N9.

* The dimensions of SS5Y5-45- Stations DRS are identical to those of SS5Y5-45F- Stations DRS.

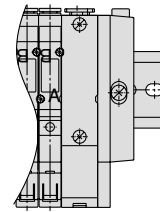
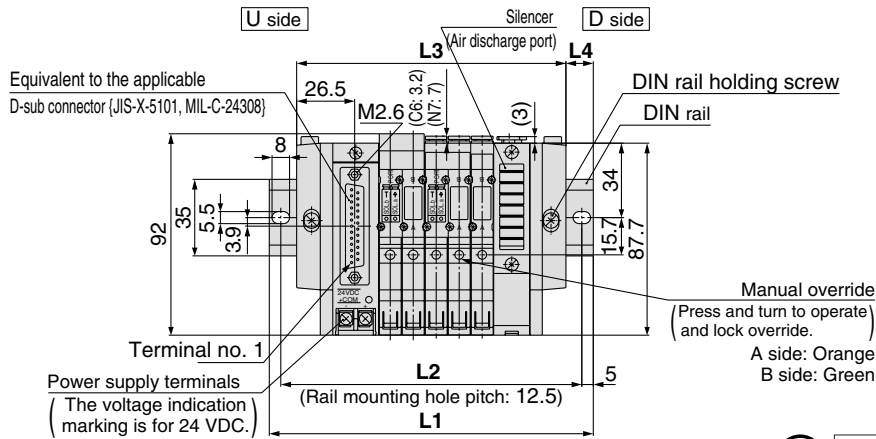
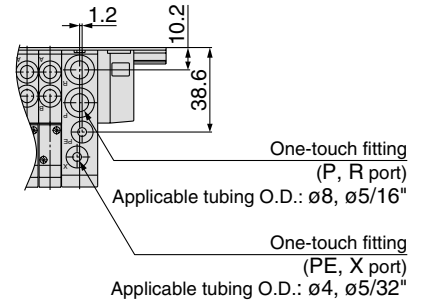
Series **SY3000/5000** Type **45**

External Pilot/Built-in Silencer

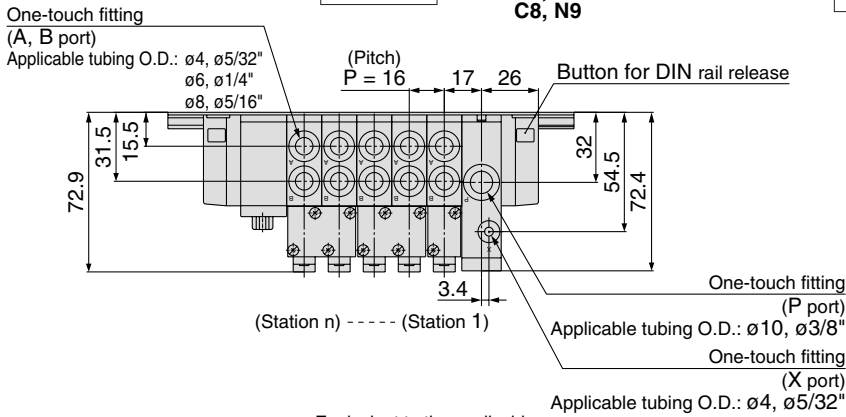
SY3000: SS5Y3-45FU- Stations DRS-^{C4, N3}_{C6, N7}



SS5Y3-45FU- Stations DR-^{C4, N3}_{C6, N7}

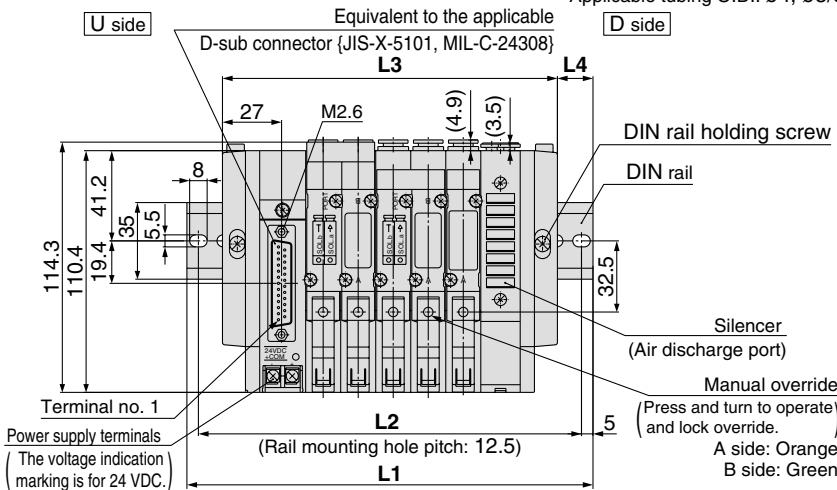
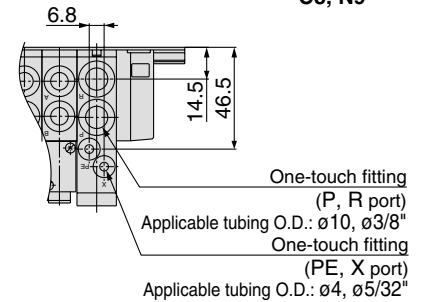


**SY5000: SS5Y5-45FU- Stations DRS-^{C4, N3}_{C6, N7}
^{C8, N9}**



* The dimensions L1 to L4 are identical to those of **SS5Y3-45FU- Stations ^U_D-^{C4, N3}_{C6, N7}**

**SS5Y5-45FU- Stations DR-^{C4, N3}_{C6, N7}
^{C8, N9}**



* The dimensions L1 to L4 are identical to those of **SS5Y3-45FU- Stations ^U_D-^{C4, N3}_{C6, N7}
^{C8, N9}**

* The dimensions of **SS5Y₅-45- Stations URS** are identical to those of **SS5Y₅-45- Stations DRS**.

Made to Order Specifications: Series SY3000/5000 Mixed Mounting

Type **M45**

Non plug-in

Use SY3000 together with SY5000, which has a large Cv and is mounted only in a place where it is needed, permits a selection of economic manifold bases.

How to Order Manifold

Type M45 (Mixed mounting type)

SS5Y5-M45-05 U C86

Mixed mounting type

Valve stations

Symbol	Stations	SUP/EXH block assembly mounting position
02	2 stations	U
20	20 stations	D
		B
		M

The number of blanking plate ass'y is included, too.

* For special specifications, indicate separately on the manifold specification sheet.

SUP/EXH block assembly specifications

Symbol	Specifications
Nil	Standard/Internal pilot
S	Built-in silencer

* External pilot is unavailable for mixed mounting style.

Option

When a longer DIN rail is desired than the specified stations, specify the station number to be required. (Max. 20 stations)

A, B port size

One-touch fitting (Metric size)

Symbol	Port size
C44	SY5000: One-touch fitting for ø4 SY3000: One-touch fitting for ø4
C46	SY5000: One-touch fitting for ø4 SY3000: One-touch fitting for ø6
C64	SY5000: One-touch fitting for ø6 SY3000: One-touch fitting for ø4
C66	SY5000: One-touch fitting for ø6 SY3000: One-touch fitting for ø6
C84	SY5000: One-touch fitting for ø8 SY3000: One-touch fitting for ø4
C86	SY5000: One-touch fitting for ø8 SY3000: One-touch fitting for ø6
M	Mixed

One-touch fitting (Inch size)

Symbol	Port size
N33	SY5000: One-touch fitting for ø ⁵ / ₃₂ " SY3000: One-touch fitting for ø ⁵ / ₃₂ "
N37	SY5000: One-touch fitting for ø ⁵ / ₃₂ " SY3000: One-touch fitting for ø ¹ / ₄ "
N73	SY5000: One-touch fitting for ø ¹ / ₄ " SY3000: One-touch fitting for ø ⁵ / ₃₂ "
N77	SY5000: One-touch fitting for ø ¹ / ₄ " SY3000: One-touch fitting for ø ¹ / ₄ "
N93	SY5000: One-touch fitting for ø ³ / ₁₆ " SY3000: One-touch fitting for ø ⁵ / ₃₂ "
N97	SY5000: One-touch fitting for ø ³ / ₁₆ " SY3000: One-touch fitting for ø ¹ / ₄ "
M	Mixed

* In the case of mixed specifications, indicate separately on the manifold specification sheet.

How to Order Valve Manifold Assembly

Ordering example

Manifold base (5 stations)
SS5Y5-M45-05U-C86

Single solenoid valve SY3140-5G (3 sets)

Single solenoid valve SY3140-5G (2 sets)

Manifold block assembly for SY5000 SX5000-50-1A

Manifold block assembly for SY3000 SX5000-50-8A

1st station

2nd station

D side

U side

SS5Y5-M45-05U-C86 1 set (Type M45, manifold base part no.)
*** SY3140-5G 3 sets (Single solenoid part no.)**
*** SY5140-5G 2 sets (Single solenoid part no.)**

The asterisk denotes the symbol for assembly. Prefix it to the part nos. of the solenoid valve, etc.

The valve arrangement is numbered as the 1st. station from D side regardless of the mounting position of SUP/EXH block assembly. In ordering, specify the part nos. in the order from the 1st. station on D side. Besides, when the arrangement will be complicated, fill out the manifold specification sheet to instruct us.

- SV
- SZ
- SY
- SYJ
- SX

How to Order Valves

SY 5 2 40 5 L

Series

3	SY3000
5	SY5000

Type of actuation

1	2 position single
2	2 position double
3	3 position closed center
4	3 position exhaust center
5	3 position pressure center

Coil specifications

Nil	Standard
T	With power saving circuit (24 VDC, 12 VDC only)

* Power saving circuit is not available in the case of "D", "DO" or "W□" type.

Rated voltage

DC		AC (50/60Hz)	
5	24 VDC	1	100 VAC
6	12 VDC	2	200 VAC
V	6 VDC	3	110 VAC [115 VAC]
S	5 VDC	4	220 VAC [230 VAC]
R	3 VDC		

Electrical entry for G, H, L, M, W

Nil	Without light/surge voltage suppressor
S	With surge voltage suppressor
Z	With light/surge voltage suppressor
R	With surge voltage suppressor (Non-polar type)
U	With light/surge voltage suppressor (Non-polar type)

Manual override

Nil	Non-locking push type
D	Push-turn locking slotted type
E	Push-turn locking lever type

* For AC voltage valves there is no "S" option. It is already built-in to the rectifier circuit.
 * For "R" and "U", DC voltage is only available.
 * Power saving circuit is only available in the "Z" type.

Electrical entry

24, 12, 6, 5, 3 VDC/100, 110, 200, 220 VAC			24, 12, 6, 5, 3 VDC
Grommet	L plug connector	M plug connector	M8 connector
G: Lead wire length 300 mm	L: With lead wire (Length 300 mm)	M: With lead wire (Length 300 mm)	WO: Without connector cable
H: Lead wire length 600 mm	LN: Without lead wire	MN: Without lead wire	
	LO: Without connector	MO: Without connector	

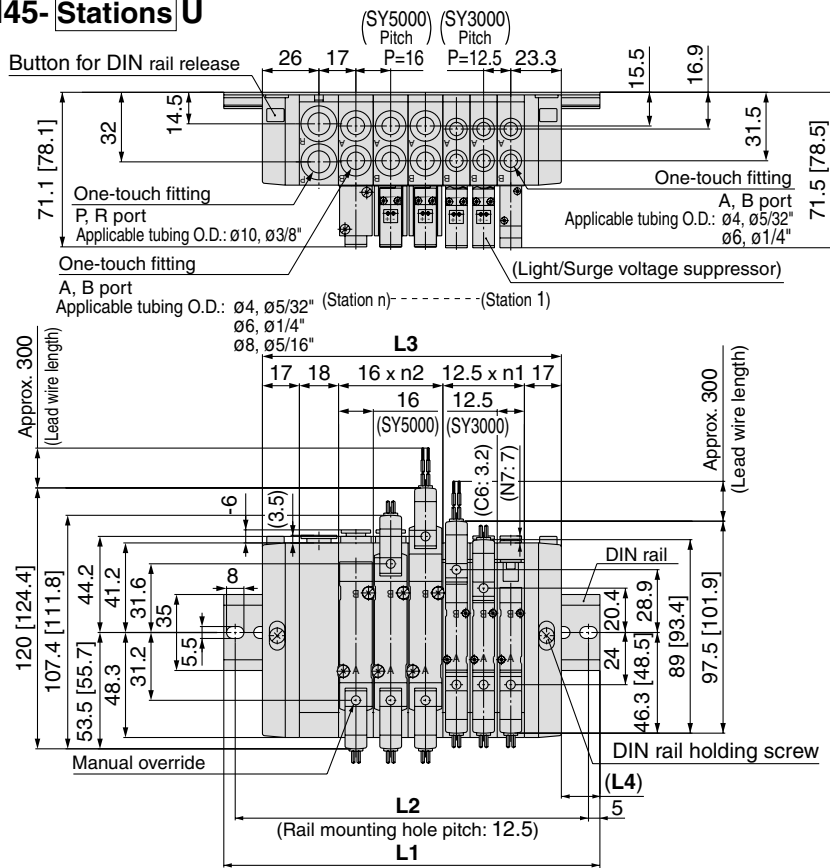
* "LN", "MN" type: with 2 sockets.
 * For connector cable of M8 connector, refer to page 1-4-209.

* For type "W□", DC voltage is only available.

Dimensions: Mixed Mounting



SS5Y5-M45- Stations U

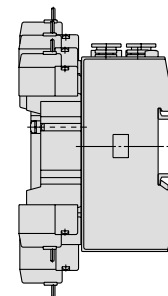


L dimension: Formulae for L1, L4
 $L3 = 12.5 \times n1 + 16 \times n2 + 52$
 $M = (\frac{L3}{12.5} + 1)$ Omit decimals
 $L1 = 12.5 \times M + 23$
 $L2 = L1 - 10.5$
 $L4 = (L1 - L3) / 2$

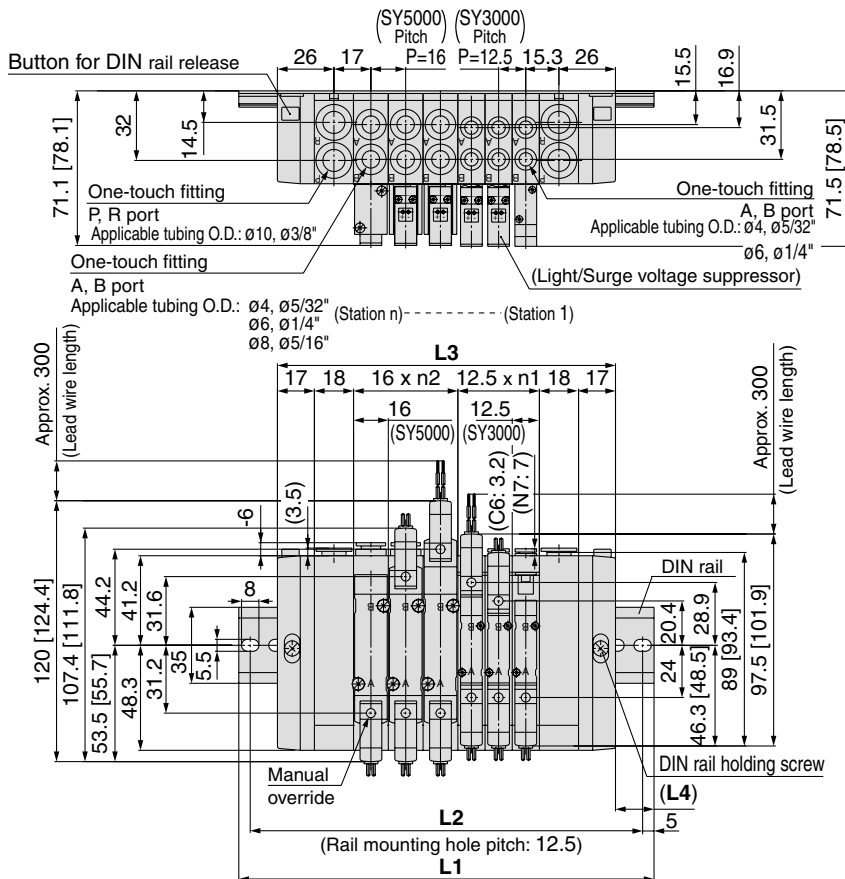
n1 = Number of SY3000
 n2 = Number of SY5000



Note) The L1 to L4 dimensions of SS5Y5-M45- Stations D are identical to those of SS5Y5-M45- Stations U.

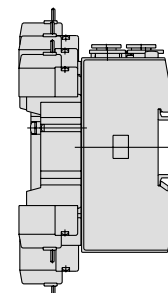


SS5Y5-M45- Stations B



L dimension: Formulae for L1, L4
 $L3 = 12.5 \times n1 + 16 \times n2 + 70$
 $M = (\frac{L3}{12.5} + 1)$ Omit decimals
 $L1 = 12.5 \times M + 23$
 $L2 = L1 - 10.5$
 $L4 = (L1 - L3) / 2$

n1 = Number of SY3000
 n2 = Number of SY5000



Made to Order Specifications: Series SY5000/7000/9000, SY500 DIN Terminal* (DIN 43650C)

* DIN terminal type conforming to DIN 43650C (DIN pitch 8 mm) standard.

How to Order Valves

Series

5	SY500
---	-------

Type of actuation

1	Normally open
2	Normally closed

Type

3	Body ported
5	Base mounted

A port size

Symbol	Port size
Nil	Base mounted
01	1/8
C4	One-touch fitting for ø4
C6	One-touch fitting for ø6
C8	One-touch fitting for ø8
N3	One-touch fitting for ø5/32"
N7	One-touch fitting for ø1/4"
N9	One-touch fitting for ø5/16"

Thread type

Nil	Rc
F	G
N	NPT
T	NPTF

3 port valve (5 port valve mixed mounting style) SY 5 1 3

5 port valve SY 5 2 2 0

Series

5	SY5000
7	SY7000
9	SY9000

Type of actuation

1	2 position single
2	2 position double
3	3 position closed center
4	3 position exhaust center
5	3 position pressure center

Body type

2	Body ported
4	Base mounted

Pilot type

Nil	Internal pilot
R*	External pilot

* Base mounted type only.

Rated voltage

DC	
5	24 VDC
6	12 VDC

AC (50/60Hz)	
1	100 VAC
2	200 VAC
3	110 VAC [115 VAC]
4	220 VAC [230 VAC]

Electrical entry

Y: With connector

YO: Without connector

Light/Surge voltage suppressor

Nil	Without light/surge voltage suppressor
S	With surge voltage suppressor
Z	With indicator light and surge voltage suppressor

* "YOZ" is not available.
* For AC voltage valves there is no "S" option. It is already built-in to the rectifier circuit.

Manual override

Nil	Non-locking push type
D	Push-turn locking slotted type
E	Push-turn locking lever type

For body ported Thread piping

Symbol	Port size	Applicable series
01	1/8	SY5000
02	1/8	SY7000
03	3/8	SY9000

One-touch fitting (Metric size)

Symbol	Port size	Applicable series
C4	One-touch fitting for ø4	SY5000
C6	One-touch fitting for ø6	
C8	One-touch fitting for ø8	
C8	One-touch fitting for ø8	SY7000
C10	One-touch fitting for ø10	
C8	One-touch fitting for ø8	SY9000
C10	One-touch fitting for ø10	
C12	One-touch fitting for ø10	

One-touch fitting (Inch size)

Symbol	Port size	Applicable series
N3	One-touch fitting for ø5/32"	SY5000
N7	One-touch fitting for ø1/4"	
N9	One-touch fitting for ø5/16"	
N9	One-touch fitting for ø5/16"	SY7000
N11	One-touch fitting for ø3/8"	
N9	One-touch fitting for ø5/16"	SY9000
N11	One-touch fitting for ø3/8"	

Base Mounted

Symbol	Port size	Applicable series
Nil	Without sub-plate	SY5000
02	With sub-plate 1/4	
03	With sub-plate 3/8	SY7000
	With sub-plate 3/8	SY9000
04	With sub-plate 1/2	SY9000
	With sub-plate 1/2	

Note When placing an order for body ported solenoid valve as a single unit, mounting bolt for manifold and gasket are not attached. Order them separately, if necessary. (For details, refer to catalog on page 1-4-61.)

- SV
- SZ
- SY
- SYJ
- SX

How to Order Pilot Valve Assembly

V115-5Y

Rated voltage

DC	
5	24 VDC
6	12 VDC

AC (50/60Hz)	
1	100 VAC
2	200 VAC
3	110 VAC [115 VAC]
4	220 VAC [230 VAC]

Light/Surge voltage suppressor

Nil	Without light/surge voltage suppressor
S	With surge voltage suppressor
Z	With light/surge voltage suppressor

* "YOZ" is not available.
* For AC voltage valves there is no "S" option. It is already built-in to the rectifier circuit.

Electrical entry

Y	DIN	With connector
YO	terminal	Without connector

DIN Terminal Part No.

Without light		SY100-82-1
With indicator light		
Rated voltage	Voltage symbol	No.
24 VDC	24VN	SY100-82-3-05
12 VDC	12VN	SY100-82-3-06
100 VAC	100VN	SY100-82-3-01
200 VAC	200VN	SY100-82-3-02
110 VAC (115 VAC)	110VN	SY100-82-3-03
220 VAC (230 VAC)	220VN	SY100-82-3-04

Caution

- Use caution in wiring because it won't meet the IP65 (enclosure) standard if you use the other cord than prescribed heavy-duty cord of size (ø3.5 to ø7.5). Also be sure to tighten the ground nut and holding screw with the prescribed torque range. Tighten the ground nut and set screw within the specified range of torque. For how to use DIN terminal. (wiring procedures, procedures for changing electrical entries, precautions, applicable cable circuit diagram), refer to page 1-4-207.
- Type D, DIN terminal with 9.4 mm pitch between terminals if not interchangeable.
- To distinguish from the Type D, DIN connector, "N" is listed at the end of voltage symbol. (For connector parts without lights, "N" is not indicated. Please refer to the name plate to distinguish.)
- Dimensions are completely the same as type D DIN terminal.
- When exchanging the pilot valve assembly only, "SY115-□D" is interchangeable with "SY115-□Y". Do not replace SY114 (G, L, M) to SY115 (DIN terminal), and vice versa.

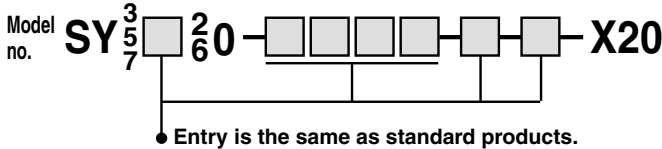


Made to Order Specifications: Series SY3000/5000/7000/9000 Body Ported External Pilot/Fluoro Rubber

* for Main Value

Body Ported External Pilot

Applicable solenoid valves: Series SY3□₆₀²⁰, SY5□₆₀²⁰, SY7□₆₀²⁰



Operating Pressure Range MPa

Operating pressure range	-100 kPa to 0.7
Pilot pressure range	0.25 to 0.7

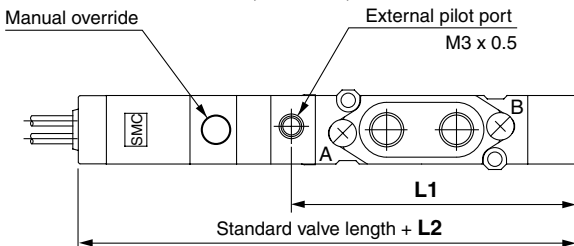
Dimensions: For SY3□₆₀²⁰, SY5□₆₀²⁰, SY7□₆₀²⁰

Dimensions SY3000 becomes 6.5 mm longer.
SY5000 and SY7000 becomes 10 mm longer.

External Pilot Port

Series	Port size
SY3000	M3 x 0.5
SY ⁵ 000	M5 x 0.8

Dimensions: For SY3□₆₀, SY5□₆₀, SY7□₆₀

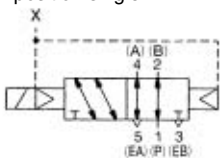


Dimensions/External Pilot Port Position

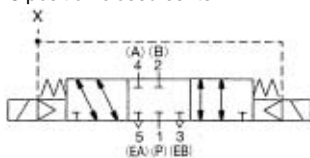
Series	L1 dimensions	L2 dimensions
SY3000	41.5	6.5
SY5000	60.4	9
SY7000	71.9	9

JIS Symbol

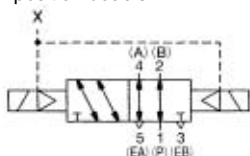
Body ported
2 position single



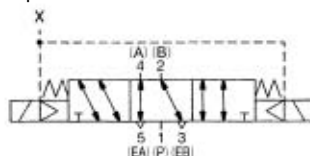
3 position closed center



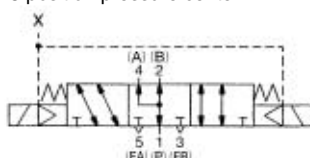
2 position double



3 position exhaust center



3 position pressure center

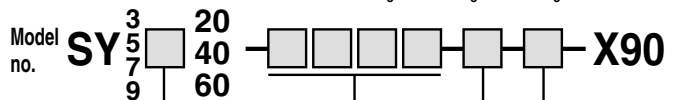


Main Valve Fluoro Rubber Specifications

Fluoro rubber is used for rubber parts of the main valve to allow use in applications such as the following.

- When using a lubricant other than the recommended turbine oil, and there is a possibility of malfunction due to swelling of the spool valve seals.

Applicable solenoid valves: Series SY3□₆₀²⁰, SY5□₆₀²⁰, SY7□₆₀²⁰, SY9□₆₀²⁰



● Entry is the same as standard products.

Specifications and performance are the same as standard products.



Series SY3000/5000/7000/9000

Specific Product Precautions 1

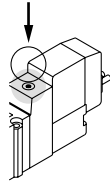
Be sure to read before handling.

Manual Override Operation

⚠ Warning

■ Non-locking push type [Standard]

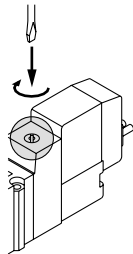
Press in the direction of the arrow



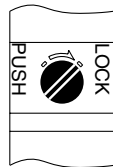
■ Push-turn slotted locking type [Type D]

While pressing, turn in the direction of the arrow.

If it is not turned, it can be operated the same way as the non-locking type.



Locked position



⚠ Caution

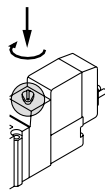
When operating the locking type D with a screw driver, turn it gently using a watchmakers' screwdriver.

[Torque: Less than 0.1 N·m]

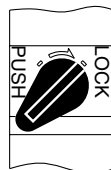
■ Push-turn lever locking type [Type E]

While pressing, turn it the direction of the arrow.

If it is not turned, it can be operated the same way as the non-locking type.



Locked position



⚠ Caution

When locking the manual override on the push-turn locking types (D, E), be sure to push it down before turning.

Turning without first pushing it down can cause damage to the manual override and trouble such as air leakage, etc.

Solenoid Valve for 200/220 VAC Specifications

⚠ Warning

Solenoid valves with grommet and L/M type plug connector AC specifications have a built-in rectifier circuit in the pilot section to operate the DC coil.

With 200 V, 220 VAC specification pilot valves, this built-in rectifier generates heat when energized. The surface may become hot depending on the energized condition; therefore, do not touch the solenoid valves.

SV

SZ

SY

SYJ

SX

Exhaust Throttle

⚠ Caution

With series SY, the pilot valve and main valve share a common exhaust inside the valve. Therefore, do not block the exhaust port when arranging the piping.

Series SY3000/5000/7000 Used as a 3 Port Valve

⚠ Caution

In the case of using a 5 port valve as a 3 port valve

Series SY3000/5000/7000/9000 can be used as normally closed (N.C.) or normally open (N.O.) 3 port port valves by closing one of the cylinder ports (A or B) with a plug. However, they should be used with the exhaust ports kept open. (Refer to pages 1-4-122 to 1-4-187 for dedicated 3 port solenoid valve.)

Plug position	B port	A port
Configuration	N.C.	N.O.
Number of solenoids	Single	
	Double	



Series SY3000/5000/7000/9000

Specific Product Precautions 2

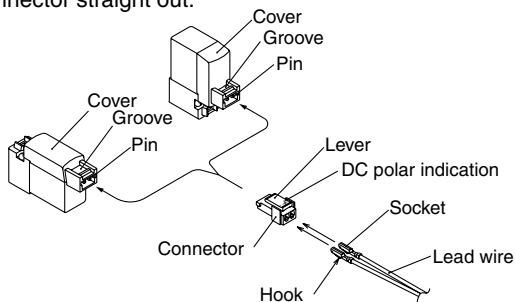
Be sure to read before handling.

How to Use Plug Connector

⚠ Caution

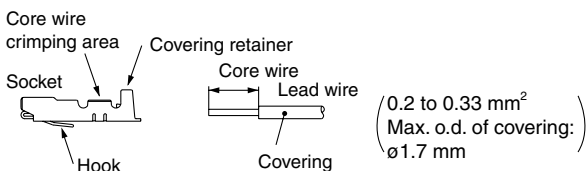
1. Attaching and detaching connectors

- To attach a connector, hold the lever and connector unit between your fingers and insert straight onto the pins of the solenoid valve so that the lever's pawl is pushed into the groove and locks.
- To detach a connector, remove the pawl from the groove by pushing the lever downward with your thumb, and pull the connector straight out.



2. Crimping connection of lead wire and socket

Strip 3.2 to 3.7 mm at the end of lead wires, insert the end of the core wires evenly into the sockets, and then crimp it by a crimping tool. When this is done, take care that the coverings of the lead wires do not enter the core wire crimping area. (Crimping tool: Model no. DXT170-75-1)



3. Attaching and detaching lead wires with sockets

• Attaching

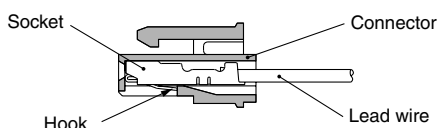
Insert the sockets into the square holes of the connector (+, - indication), and continue to push the sockets all the way in until they lock by hooking into the seats in the connector.

(When they are pushed in, their hooks open and they are locked automatically.) Then confirm that they are locked by pulling lightly on the lead wires.

• Detaching

To detach a socket from a connector, pull out the lead wire while pressing the socket's hook with a stick having a thin tip (approx. 1 mm).

If the socket will be used again, first spread the hook outward.



Surge Voltage Suppressor

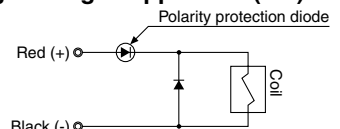
⚠ Caution

<For DC>

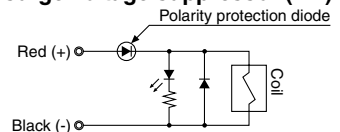
Grommet, L/M Plug Connector

■ Standard type (With polarity)

With surge voltage suppressor (□S)

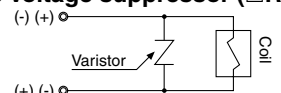
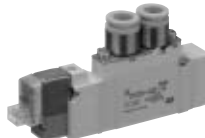


With light/surge voltage suppressor (□Z)

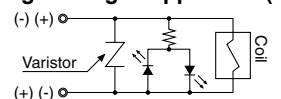


■ Non-polar type

With surge voltage suppressor (□R)



With light/surge voltage suppressor (□U)

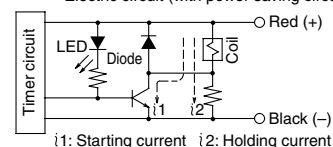


- Connect the standard type in accordance with the +, - polarity indication. (The non-polar type can be used with the connections made either way.)
- Since voltage specifications other than standard 24 V and 12 VDC do not have diodes for polarity protection, be careful not to make errors in the polarity.
- When wiring is done at the factory, positive (+) is red and negative (-) is black.

■ With power saving circuit

Power consumption is decreased by 1/4 by reducing the wattage required to hold the valve in an energized state. (Effective energizing time is over 62 ms at 24 VDC.)

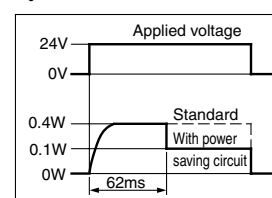
Electric circuit (with power saving circuit)



Working Principle

With the above circuit, the current consumption when holding is reduced to save energy. Please refer to the electric wave data below.

(In the case of SY³₉**0T, the electric wave form of energy saving type)





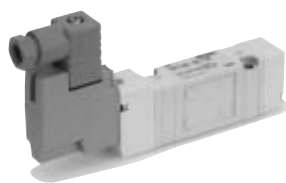
Series SY3000/5000/7000/9000

Specific Product Precautions 3

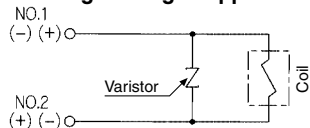
Be sure to read before handling.

Surge Voltage Suppressor

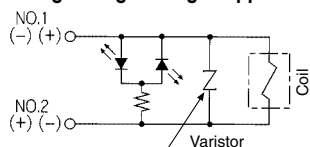
DIN Terminal



With surge voltage suppressor (DS)

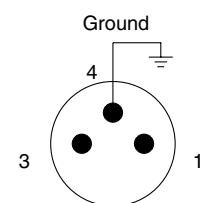


With light/surge voltage suppressor (DZ)



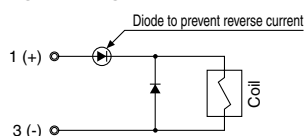
DIN terminal has no polarity.

M8 Connector

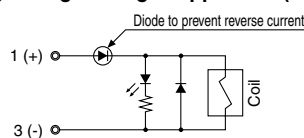


Solenoid valve side pin wiring diagram

Standard type (with polarity) With surge voltage suppressor (□S)

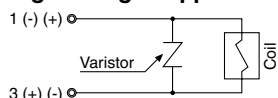


With light/surge voltage suppressor (□Z)

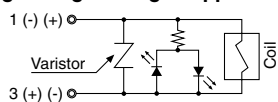


Non-polar type

With surge voltage suppressor (□R)

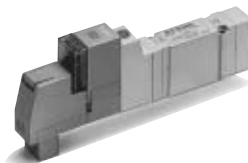


With light/surge voltage suppressor (□U)

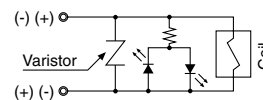


- In the case of standard type, connect + to 1 and - to 3 according to the polarity.
- For DC voltages other than 12 V and 24 V, incorrect wiring will cause damage to the surge suppressor circuit.

Plug-in



Circuit for non-polar (FU)



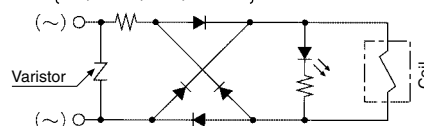
Plug-in valve has no polarity, so it's possible to use for both manifold bases for positive (SS5Y³-45□) and negative its common (SS5Y³-45N□) types.

<For AC>

(There is no "S" option, because the generation of surge voltage is prevented by a rectifier.)

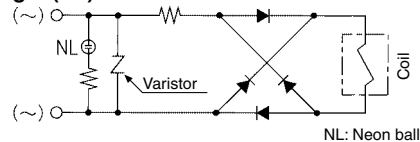
Grommet, L/M Plug Connector

With indicator light (GZ, LZ, LOZ, MZ, MOZ)



DIN Terminal

With Indicator light (DZ)



Note) Surge voltage suppressor of varistor has residual voltage corresponding to the protective element and rated voltage; therefore, protect the controller side from the surge voltage. The residual voltage of the diode is approximately 1 V.

SV

SZ

SY

SYJ

SX



Series SY3000/5000/7000/9000

Specific Product Precautions 4


Be sure to read before handling.

Plug Connector Lead Wire Length

⚠ Caution

Standard length is 300 mm, but the following lengths are also available.

How to Order Connector Assembly

For DC: **SY100-30-4A** 

For 100 VAC: **SY100-30-1A** 

For 200 VAC: **SY100-30-2A** 

For other voltages of AC: **SY100-30-3A** 

Without lead wire: **SY100-30-A**
(with connector and 2 of sockets only)

• How to Order

Specify the part numbers of the solenoid valve without connector and the connector assembly with protective cover separately.

<Example> Lead wire length 2000 mm

For DC	For AC
SY3120-5LO-M5	SY3120-1LO-M5
SY100-30-4A-20	SY100-30-1A-20

● Lead wire length

Nil	300 mm
6	600 mm
10	1000 mm
15	1500 mm
20	2000 mm
25	2500 mm
30	3000 mm
50	5000 mm

How to Use DIN Terminal

⚠ Caution

Connection

1. Loosen the holding screw and pull the connector out of the solenoid valve terminal block.
2. After removing the holding screw, insert a flat head screwdriver, etc. into the notch on the bottom of the terminal block and pry it open, separating the terminal block and the housing.
3. Loosen the terminal screws (slotted screws) on the terminal block, insert the cores of the lead wires into the terminals according to the connection method, and fasten them securely with the terminal screws.
4. Secure the cord by fastening the ground nut.

⚠ Caution

When making connections, take note that using other than the supported size ($\phi 3.5$ to $\phi 7$) heavy duty cord will not satisfy IP65 (enclosure) standards. Also, be sure to tighten the ground nut and holding screw within their specified torque ranges.

Changing the entry direction

After separating the terminal block and housing, the cord entry can be changed by attaching the housing in the desired direction (4 directions at 90° intervals).

* When equipped with a light, be careful not to damage the light with the cord's lead wires.

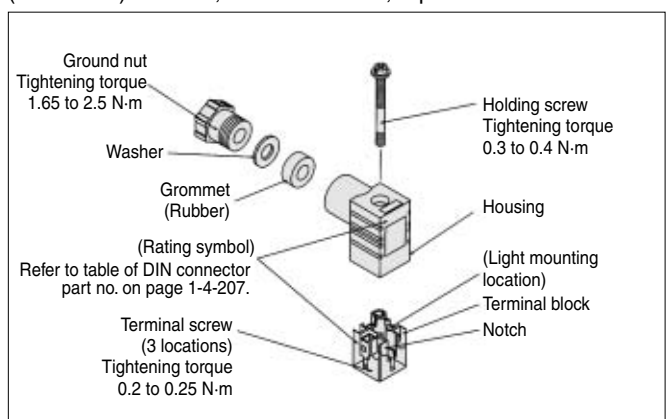
Precautions

Plug in and pull out the connector vertically without tilting to one side.

Compatible cable

Cord O.D.: $\phi 3.5$ to $\phi 7$

(Reference) 0.5 mm^2 , 2 core or 3 core, equivalent to JIS C 3306





Series SY3000/5000/7000/9000

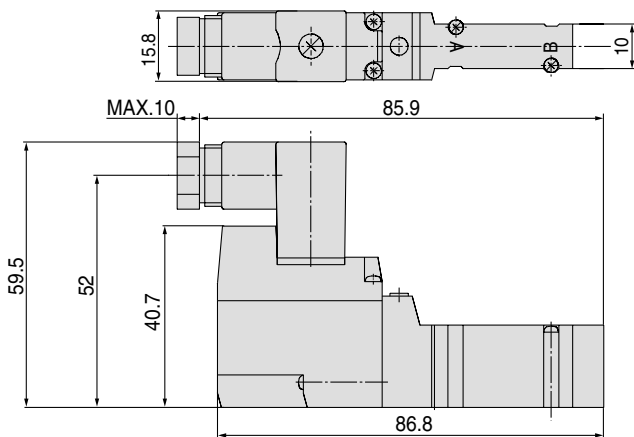
Specific Product Precautions 5

Be sure to read before handling.

Series SY300, SY3000 How to Use DIN Terminal

⚠ Caution

- SMC can provide a DIN style terminal connector (body ported type, sub-plate type) for the series SY300 and SY3000. This cannot be assembled to a standard manifold since the DIN connector width (15.8 mm) exceeds that of the valve body (10 mm). Please contact SMC if you wish to use with a manifold. Please also note: that brackets F1, F2 cannot be mounted.



DIN Terminal Part No.

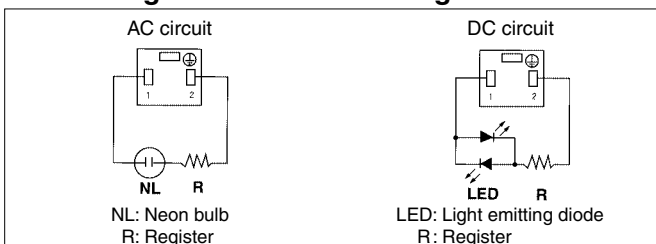
⚠ Caution

Without Indicator light SY100-61-1

With Indicator light

Rated voltage	Voltage symbol	No.
24 VDC	24V	SY100-61-3-05
12 VDC	12V	SY100-61-3-06
100 VAC	100V	SY100-61-2-01
200 VAC	200V	SY100-61-2-02
110 VAC	110V	SY100-61-2-03
220 VAC	220V	SY100-61-2-04

Circuit Diagram with Indicator Light



Note) Refer to page 1-4-201 for DIN terminal (Y) conforming to DIN 43650C.

Connector Assembly with Cover

⚠ Caution

Connector assembly with dust proof protective cover.

- Effective to prevention of short circuit failure due to the entry of foreign matter into the connector.
- Chloroprene rubber for electrical use, which provides outstanding weather resistance and electrical insulation, is used for the cover material. However, do not allow contact with cutting oil, etc.
- Simple and unencumbered appearance by adopting round-shaped cord.

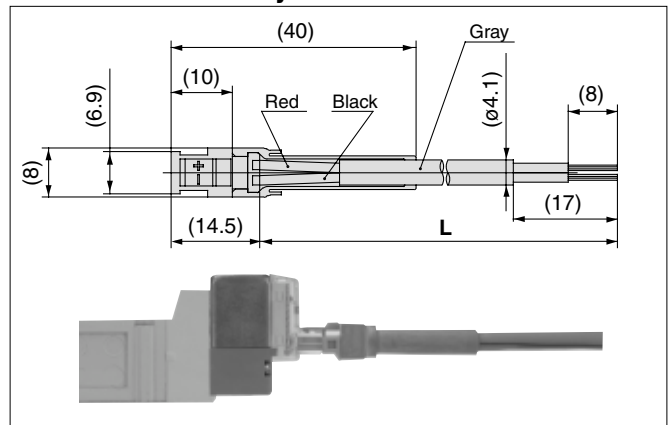
How to Order

SY100-68-A-□

• Lead wire length (L)

Nil	300 mm
6	600 mm
10	1000 mm
15	1500 mm
20	2000 mm
25	2500 mm
30	3000 mm
50	5000 mm

Connector Assembly with Cover: Dimensions



How to Order

Enter the part number for a plug connector solenoid valve without connector together with the part number for a connector assembly with cover.

<Example 1> Lead wire length of 2000 mm

SY3120-5LOZ-M5
SY100-68-A-20

<Example 2> Lead wire length of 300 mm (standard)

SY3120-5LPZ-M5

□ Symbol for connector assembly with cover

* In this case, the part number for the connector assembly with cover is not required.

SV

SZ

SY

SYJ

SX



Series SY3000/5000/7000/9000

Specific Product Precautions 6

Be sure to read before handling.

Plug-in

⚠ Caution

- When using a double solenoid valve (Dual body type: SY³₂₄₅-□FU) on the plug-in style manifold (SS5Y³₅-45(N)□), two manifold stations are required per valve.

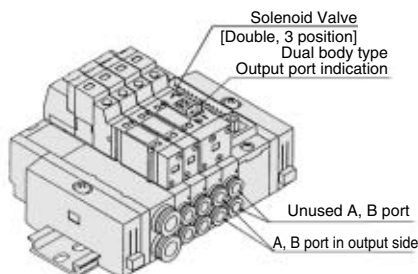
Output to A/B ports will be made through the manifold block on the side indicated by an arrow on the top of the solenoid valve. Therefore, arrange the piping on the side indicated by the arrow.

Although the "T" side will not be used, plugs will not be necessary since it is sealed with the valve.

(However, insert a plug into the A/B ports if dust intrusion is possible. Refer to page 1-4-143.)

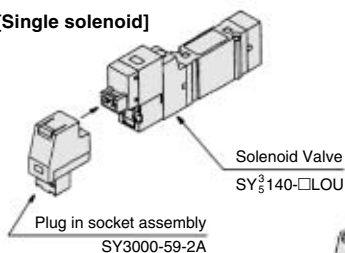
Manifold valve

SS5Y³₅-45 (N)□

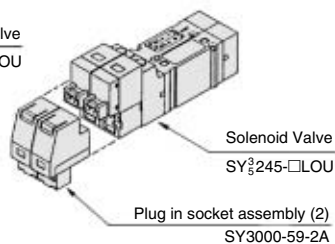


Plug-in type solenoid valves consist of a non-polar solenoid valve and a plug-in socket. When ordering them separately, refer to the following part numbers.

[Single solenoid]



[Double, 3 position] Dual body type



Note) Using a valve other than a non-polar type may cause trouble.

DIN rail for Series SY9000

⚠ Caution

The DIN rail used with Series SY9000 is stronger than that used with Series SY3000 and SY5000. Use this exclusive DIN rail with Series SY9000. Furthermore, if using a DIN rail other than that supplied by SMC, refer to the manifold mounting section below, and mount using the same method as prescribed for side facing and rear facing, regardless of the mounting orientation.

Manifold Mounting

⚠ Caution

For Type 23, 43, 45 and 45□ DIN rail mounting, when attaching a manifold to a mounting surface, etc., with bolts, if the entire bottom surface of the DIN rail contacts the mounting surface in a horizontal mounting, it can be used by simply securing both ends of the DIN rail. However, for any other mounting method or for side facing and rear facing, etc., secure the DIN rail with bolts at uniform intervals using the following as a guide: 2 to 5 stations at 2 locations, 6 to 10 stations at 3 locations, 11 to 15 stations at 4 locations, and 16 to 20 stations at 5 locations. In addition, even in the case of a horizontal mounting, if the mounting surface is subject to vibration, etc., take the same measures indicated above. If secured at fewer than the specified number of locations, warping or twisting may occur in the DIN rail and manifold, causing trouble such as air leakage.

One-touch Fittings

⚠ Caution

The pitch determined for each of the series SY piping ports (P, A, B, etc.) is based on the assumption that series KJ one-touch fittings will be used. For this reason, other pipe fittings may interfere with each other depending on their type and size. Dimensions should be confirmed in a pipe fitting catalog before they are used.



Series SY3000/5000/7000/9000

Specific Product Precautions 7

Be sure to read before handling.

One-touch Fittings

⚠ Caution

• Tubing attachment/detachment for One-touch fittings

1) Attaching of tubing

1. Take a tubing having no flaws on its periphery and cut it off at a right angle. When cutting the tubing, use tubing cutters TK-1, 2 or 3. Do not use pinchers, nippers or scissors, etc. If cutting is done with tools other than tubing cutters, the tubing may be cut diagonally or become flattened, etc., making a secure installation impossible, and causing problems such as the tubing pulling out after installation or air leakage. Allow some extra length in the tubing.
2. Grasp the tubing and push it in slowly, inserting it securely all the way into the fitting.
3. After inserting the tubing, pull on it lightly to confirm that it will not come out. If it is not installed securely all the way into the fitting, this can cause problems such as air leakage or the tubing pulling out.

2) Detaching of tubing

1. Push in the release button sufficiently, pushing its collar equally around the circumference.
2. Pull out the tubing while holding down the release button so that it does not come out. If the release button is not pressed down sufficiently, there will be increased bite on the tubing and it will become more difficult to pull it out.
3. When the removed tubing is to be used again, cut off the portion which has been chewed before reusing it. If the chewed portion of the tubing is used as is, this can cause trouble such as air leakage or difficulty in removing the tubing.

- The pitch determined for each of the series SY piping ports (A, B, etc.) is based on the assumption that series KJ One-touch fittings will be used. For this reason, other pipe fittings may interfere with each other depending on their type and size. Dimensions should be confirmed in a pipe fitting catalog before they are used.

Other Tubing Brands

⚠ Caution

1. When using other than SMC brand tubing, confirm that the following specifications are satisfied with respect to the outside diameter tolerance of the tubing.

1) Nylon tubing	within ± 0.1 mm
2) Soft nylon tubing	within ± 0.1 mm
3) Polyurethane tubing	within $+0.15$ mm, within -0.2 mm.

Do not use tubing which do not meet these outside diameter tolerances. It may not be possible to connect them, or they may cause other trouble, such as air leakage or the tubing pulling out after connection.

M8 Connector

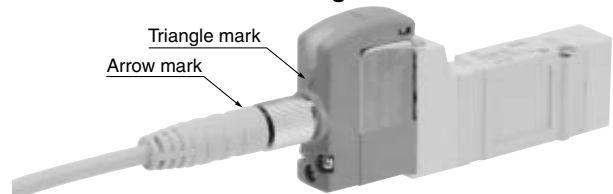
⚠ Caution

1. M8 connector types have an IP65 (enclosure) rating, offering protection from dust and water. However please note: these products are not intended for use in water. Select a SMC connector cable (V100-49-1-□) or a FA sensor type connector, with M8 threaded 3 pin specifications conforming to Nippon Electric Control Equipment Association Standard, NECA4202 (IEC60947-5-2). Make sure the connector O.D. is 10.5mm or less when used with the Series SY3000 manifold. If more than 10.5mm, it cannot be mounted due to the size.
2. Do not use a tool to mount the connector, as this may cause damage. Only tighten by hand. (0.4 to 0.6 N·m)

⚠ Caution

Failure to meet IP65 performance may result if using alternative connectors than those shown above, or when insufficiently tightened.

Connector cable mounting



Note) Connector cable should be mounted in the correct direction.

Make sure that the arrow symbol on the connector is facing the triangle symbol on the valve when using SMC connector cable (V100-49-1-□).

Be careful not to squeeze it in the wrong direction, as problems such as pin damage may occur.

SV

SZ

SY

SYJ

SX



Series SY3000/5000/7000/9000

Specific Product Precautions 8

Be sure to read before handling.

M8 Connector

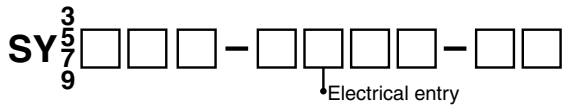
⚠ Caution

■ Connector cable

- Connector cable for M8 can be ordered as follows:

How to Order

- To order solenoid valve and connector cable at the same time.
(Connector cable will be included in the shipment of the solenoid valve.)



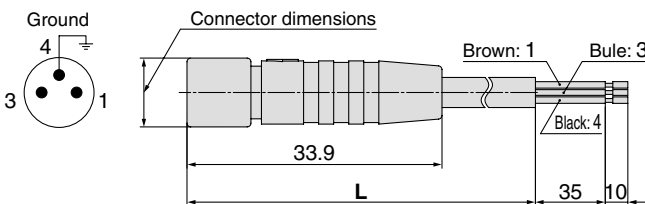
Electrical entry

- W1:** Cable length 300 mm
- W2:** Cable length 500 mm
- W3:** Cable length 1000 mm
- W4:** Cable length 2000 mm
- W7:** Cable length 5000 mm

Ex. 1) Cable length: 300mm
SY312-5W1ZE-C4

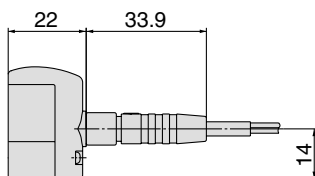
Symbol for electrical entry

- To order connector cable only



Cable length (L)	Part no.
300 mm	V100-49-1-1
500 mm	V100-49-1-2
1000 mm	V100-49-1-3
2000 mm	V100-49-1-4
5000 mm	V100-49-1-7

[Dimensions when installed]



Solenoid Valve Mounting

⚠ Caution

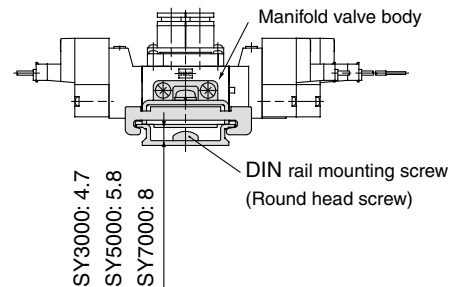
Mount it so that there is no slippage or deformation in gaskets, and tighten with the tightening torque as shown below.

Model	Thread size	Tightening torque
SY3000	M2	0.16 N·m
SY5000	M3	0.8 N·m
SY7000	M4	1.4 N·m
SY9000	M3	0.8 N·m

Mounting of Cassette Manifolds to DIN Rail

⚠ Caution

When using a DIN rail mounting screw beneath the manifold valve (within the dimension of L3, as shown in the printed dimension/contents section), the head size of the screw must be 4.7mm or less for SY3000, 5.8mm or less for SY5000, and 8mm or less for SY7000.

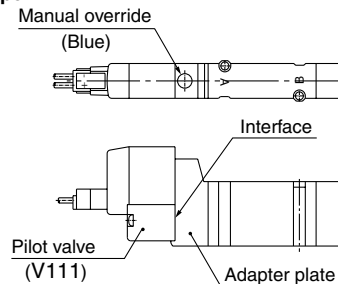


Replacement of Pilot Valve

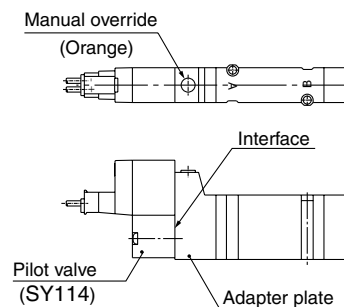
⚠ Caution

Pilot valves in this series are improved to provide excellent energy saving results. However following this improvement, these new valves are no longer compatible with the conventional pilot valve used at the interface. Please consult with SMC when you need to exchange these pilot valves, in the case of manual override (marked in orange) of the adapter plate.

New type



Conventional type





Series SY3000/5000/7000/9000

Specific Product Precautions 9

Be sure to read before handling.

Interface Regulator

Caution

Specifications

Interface regulator model	ARBY3000-□-P-2	ARBY3000-□-A ¹ _{B1} -2	ARBY5000-□-P-2	ARBY5000-□-A ¹ _{B1} -2	ARBY7000-□-P-2	ARBY7000-□-A ¹ _{B1} -2
Applicable solenoid valve model	SY3□40(R)		SY5□40(R)		SY7□40(R)	
Regulated port	P	A B	P	A B	P	A B
Set pressure range	0.1 to 0.7 MPa					
Maximum operating pressure	0.7 MPa					
Fluid	Air					
Ambient and fluid temperature	Max. 50°C					
Connection port of pressure gauge	M5 x 0.8					
Weight W (g)	With pressure gauge		66.8 g		110.8 g	
	With plug		60.4 g		103.2 g	
Supply side effective area ^{Note 3)}	P→A,B		7.61 mm ²		13.54 mm ²	
Exhaust side effective area ^{Note 5)}	A,B→EA,EB		10.1 mm ²		15.71 mm ²	

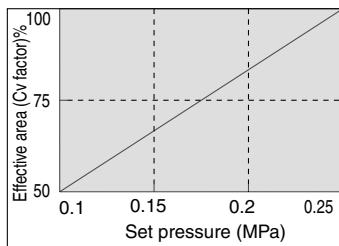
Note 1) Pressurize the interface regulator from P port on the base.

Note 2) With closed center and pressure center valves, the pressure can be regulated through P port only.

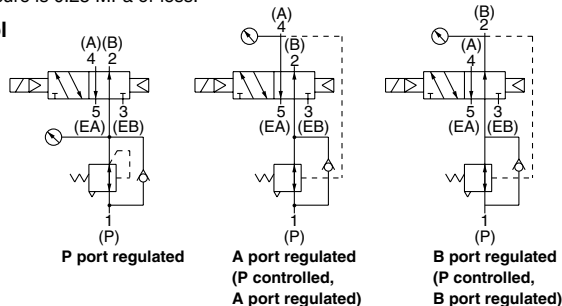
Note 3) Effective area, excluding the regulated port, when a primary pressure of 0.5 MPa is supplied with regulators mounted on the solenoid valves (2 positions) and sub-plate. Refer to "Flow Characteristics" regarding the regulated port.

Note 4) Valves for weight include gasket and mounting screws.

Note 5) With A, B ports regulated (P port controlled A, B ports regulated), the effective area (Cv factor) for the regulated port and unregulated passage (P to B or P to A) decreases as shown in the graph below when the set pressure is 0.25 MPa or less.

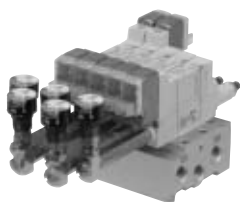


JIS Symbol



How to Order Interface Regulator

ARBY3000-05-P-2



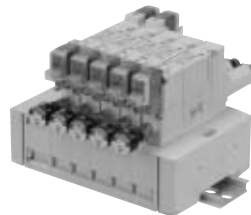
- **Regulated port**

P	P port
A1	A port (P controlled, A port regulated)
B1	B port (P controlled, B port regulated)
- **Pressure gauge connection port**

05	Pressure gauge (G15-10-01) [for odd number stations]
06	Pressure gauge (G15-10-01) [for even number stations]
M1	Plug (M-5P)

Note) For series ARBY3000 with pressure gauge, note that the part numbers for odd number and even number stations differ to prevent interference between the pressure gauges when installing on the manifold.

ARBY5000-00-P-2

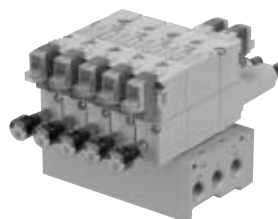


- **Regulated port**

P	P port
A1	A port (P controlled, A port regulated)
B1	B port (P controlled, B port regulated)
- **Pressure gauge connection port**

00	Pressure gauge (G15-10-01)
M1	Plug (M-5P)

ARBY7000-00-P-2



- **Regulated port**

P	P port
A1	A port (P controlled, A port regulated)
B1	B port (P controlled, B port regulated)
- **Pressure gauge connection port**

00	Pressure gauge (G15-10-01)
M1	Plug (M-5P)



Series SY3000/5000/7000/9000

Specific Product Precautions 10

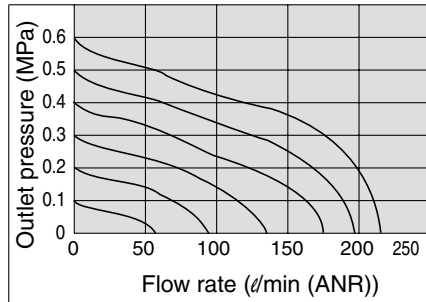
Be sure to read before handling.

Flow Characteristics

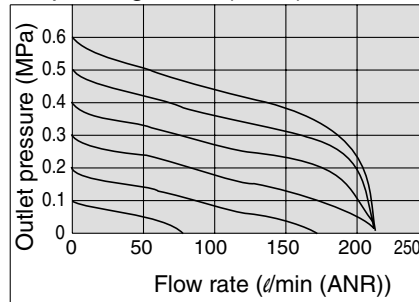
(Conditions: Inlet pressure 0.7 MPa when 2 position solenoid valve is mounted.)

ARBY3000

P port regulated (P→A, B)

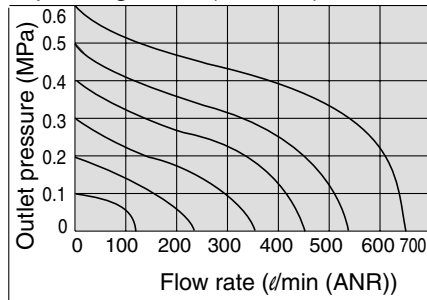


A1 port regulated (P→A),
B1 port regulated (P→B)

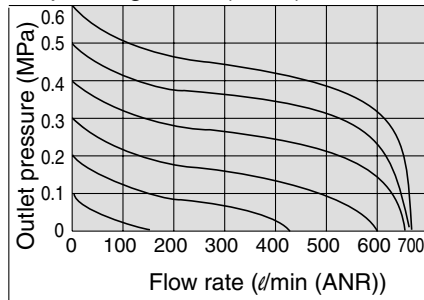


ARBY5000

P port regulated (P→A, B)

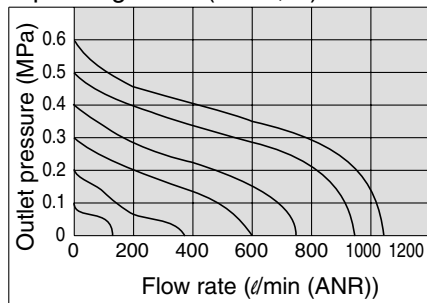


A1 port regulated (P→A),
B1 port regulated (P→B)



ARBY7000

P port regulated (P→A, B)



A1 port regulated (P→A),
B1 port regulated (P→B)

