

AXIS 206 Network Camera

The smallest network camera in the world.



- > Progressive scan
- > Motion JPEG at up to 30 fps
- > Easy installation
- > Multilingual interface

AXIS 206 Network Camera offers a cost-effective, indoor camera solution for remote monitoring and security surveillance over a local area network or the Internet. The camera is ideal for use in small businesses, home offices and residences.

Small enough to fit in the palm of your hand, AXIS 206 delivers crisp and clear images even in low-light conditions, using a progressive scan CMOS image sensor and advanced signal processing.

Video compression provides high quality Motion JPEG at up to 30 frames per second in all resolutions up to VGA 640x480 pixels.

AXIS 206 is easy to set up and use. It comes with a free multilingual product interface for remote viewing and management, reachable via a standard web browser. Also included is the AXIS Camera Station One software for monitoring, recording, playback and event management.



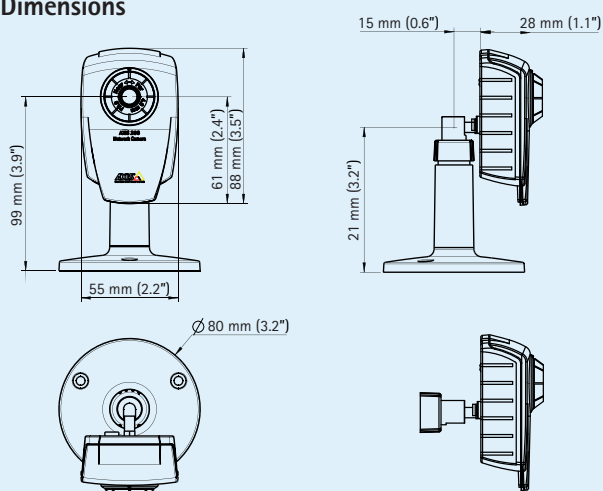
Technical specifications – AXIS 206 Network Camera

Camera	
Image sensor	1/4" Progressive scan CMOS
Lens	4.0 mm, F2.0, fixed iris Horizontal angle of view: 54°
Light sensitivity	4 – 10000 lux, F2.0
Shutter time	1/10000 s to 1/2 s
Video	
Video compression	Motion JPEG
Resolutions	Up to 640x480
Frame rate Motion JPEG	Up to 30 fps at all resolutions
Video streaming	Controllable frame rate and bandwidth
Image settings	Compression, color, brightness, contrast, white balance, rotation Text overlay
Network	
Security	Password protection
Supported protocols	IPv4, HTTP, TCP, ICMP, UDP, SMTP, FTP, DHCP, UPnP™, Bonjour, ARP, DNS, DynDNS, NTP
System integration	
Application Programming Interface	Open API for software integration, including VAPIX® from Axis Communications available at www.axis.com

General	
Language support	Chinese, English, French, German, Italian, Japanese, Korean and Spanish
Processors and memory	32-bit RISC CPU Motion JPEG compression chip 16 MB RAM 4 MB Flash
Power	5.0 – 5.5 V DC, max 2.5 W
Connector	RJ-45 10BASE-T/100BASE-TX Auto-MDIX
Operating conditions	5 – 50 °C (41 – 122 °F) Humidity 20 – 80% RH (non-condensing)
Approvals	EN 55022 Class B, EN 61000-3-2, EN 61000-3-3, EN 55024, EN 61000-6-1, FCC Part 15 Subpart B Class B, ICES-003, VCCI Class B, C-tick AS/NZS 3548, EN 60950-1 Power supply: EN 60950-1, UL, CSA
Weight	180 g (0.39 lb.)
Included accessories	Power supply, stand, Installation Guide, CD with installation tool, software and User's Manual

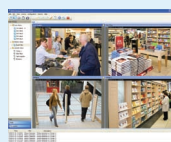
More information is available at www.axis.com

Dimensions



Optional accessories

Vandal-resistant housing



For information on AXIS Camera Station and video management software from Axis' Application Development Partners, see www.axis.com/products/video/software/