



## NP18-12B NP18-12BFR

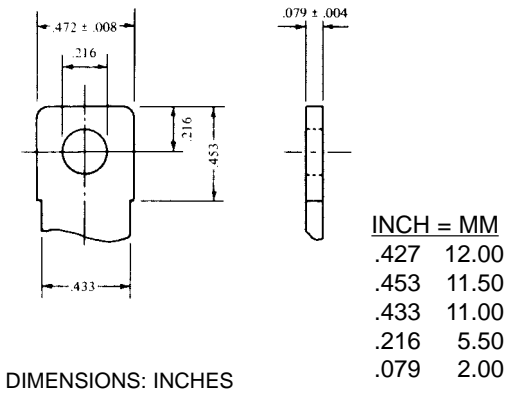
Sealed Rechargeable  
Lead-Acid Battery

### 12V, 17.2Ah

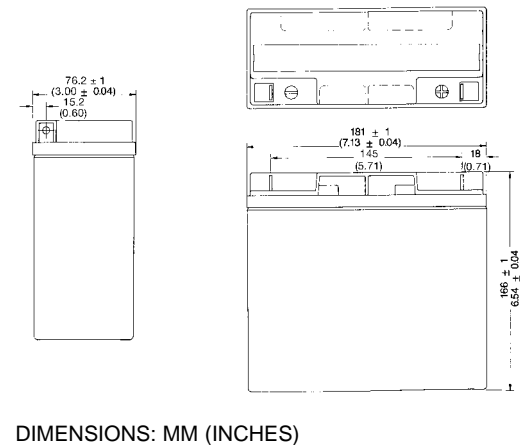
### Specifications

- **NOMINAL VOLTAGE:** 12V
- **NOMINAL CAPACITY:**
  - 20 hr. rate of 0.86A to 10.5V 17.2Ah
  - 10 hr. rate of 1.6A to 10.5V 16.0Ah
  - 5 hr. rate of 2.9A to 10.2V 14.5Ah
  - 1 hr. rate of 10.3A to 9.60V 10.3Ah
- **WEIGHT (approx.):** 13.70 pounds (6.2 kgs.)
- **ENERGY DENSITY (20 hr. rate):** 1.47 WH/cubic inch (90 WH/liter)
- **SPECIFIC ENERGY (20 hr. rate):** 15.1 WH/pound (33.28 WH/kg)
- **INTERNAL RESISTANCE OF CHARGED BATTERY:** 11 milliohms (approx.)
- **MAXIMUM DISCHARGE CURRENT WITH STANDARD TERMINALS:** 150 amperes
- **MAXIMUM SHORT-DURATION DISCHARGE CURRENT:** 450 amperes
- **OPERATING TEMPERATURE RANGE:**
  - CHARGE 5°F to 122°F (-15°C to 50°C)
  - DISCHARGE -4°F to 140°F (-20°C to 60°C)
- **CHARGE RETENTION (shelf life) at 68°F (20°C):**
  - 1 month 97%
  - 3 months 91%
  - 6 months 85%
- **LIFE EXPECTANCY:**
  - STANDBY USE** 3 to 5 years
  - CYCLE USE (approx.):**
    - 100% depth of discharge 250 cycles
    - 50% depth of discharge 550 cycles
    - 30% depth of discharge 1200 cycles
- **SEALED CONSTRUCTION:** Can be operated in any position without leakage.
- **STANDARD TERMINAL:** Bolt fastened terminal
- **HOUSING MATERIAL:** ABS Resin
- **OPTIONAL:** Container and cover made from Flame Retardant ABS (UL94-V0/L.O.I.>28%)
- **HARDWARE:** 2-M5-.8 x 12mm Bolt w/nuts, lock washer & flat washer

### Terminal



### Dimensions



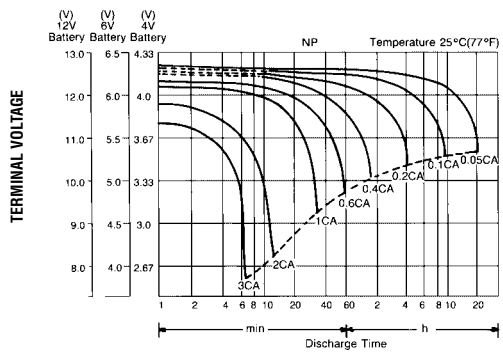
# EnerSys™

Power/Full Solutions™

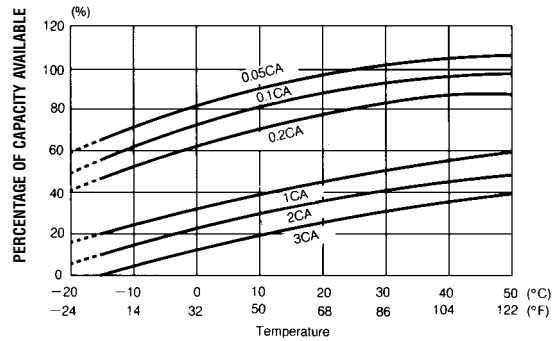


RECOGNIZED BY UL, File No. MH 16464

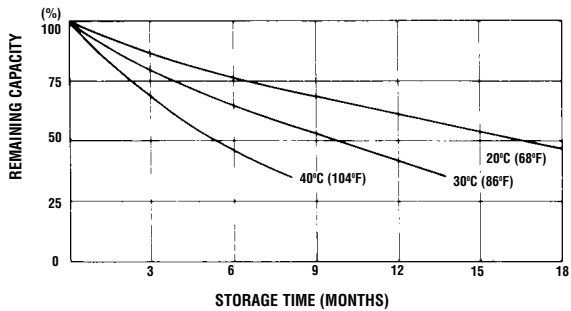
### DISCHARGE CHARACTERISTIC CURVES AT 25°C (77°F)



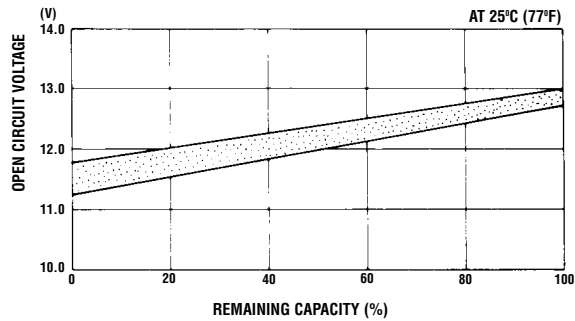
### TEMPERATURE EFFECTS IN RELATION TO BATTERY CAPACITY



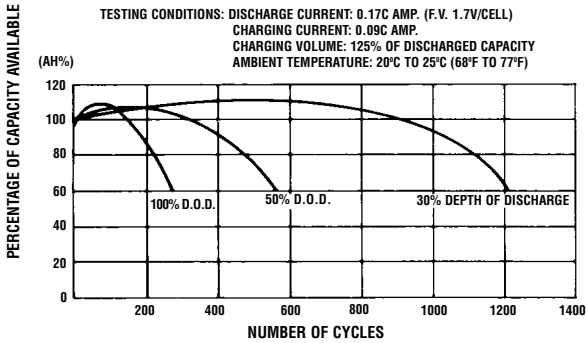
### SELF DISCHARGE CHARACTERISTICS



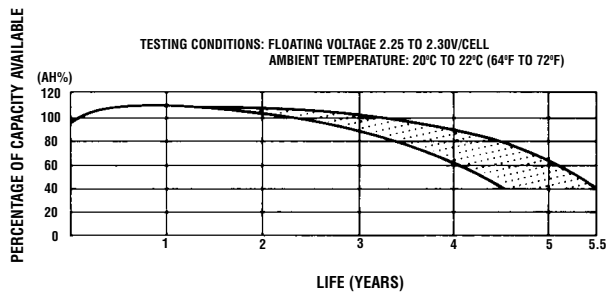
### OPEN CIRCUIT VOLTAGE VS REMAINING CAPACITY



### CYCLE SERVICE LIFE IN RELATION TO DEPTH OF DISCHARGE



### FLOAT SERVICE LIFE



When the battery will be used by current in excess of 3C, consult with EnerSys, Inc. prior to use.

#### CHARGING METHODS (At 20°C)

**Cycle use:** Maximum charging current 4.3A  
Charging voltage 14.4 to 15.0V  
**Standby use:** Float charging voltage 13.50 to 13.80V

**CAUTION**

- Avoid short circuit
- Do not charge in a sealed container.



**EnerSys Inc.**  
P.O. Box 14145  
Reading, PA 19612-4145  
USA  
Tel: +1-610-208-1991  
+1-800-538-3627

**EnerSys EMEA**  
Brussels, Belgium  
Tel: +32 (0)2 247 94 47  
**EnerSys Asia**  
Guandong, China  
Tel: +86 755 2689 3639

Represented by: