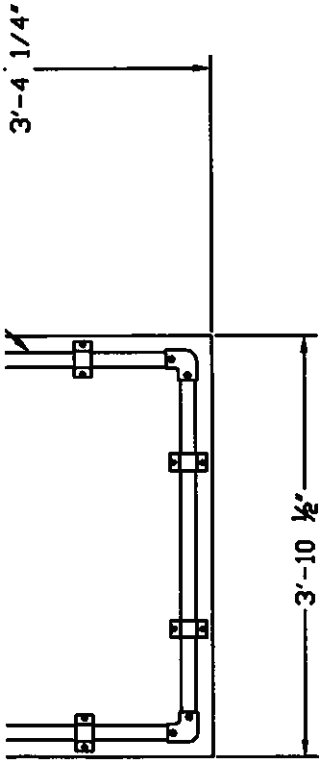


DWG NO. 01-FLD-0001-D  
Sheet 2 of 2

STRETCHER  
SCALE 1:20



BALL CHUTE  
SECTION D-D  
SCALE 1:20

EF

NT4

