

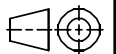
Annotation - drawing

unless otherwise specified dimensions are in mm

Index	Modification No.	Qty.	Date	Name
Type				

Signed	Date	Name	Material
Checked			
Approved			Made of Part No.
Scale	Designation	Doc-Type	Part No.

FESTO

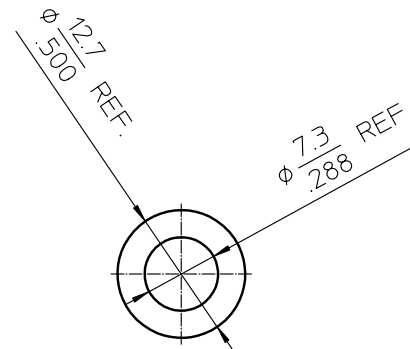
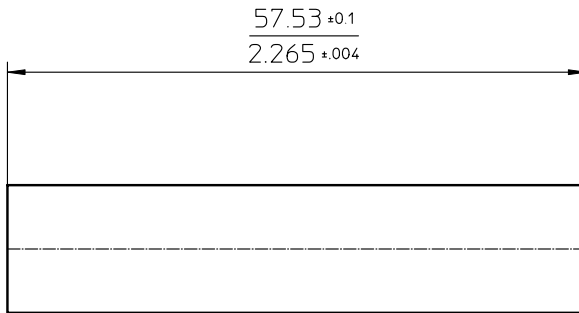


Copyright by Festo AG & Co.
All rights reserved.
Referred to protection notice ISO 16016.

DIN A4

GENERAL NOTES:

- 1- QTY REQUIRED: 12
- 2- MAKE FROM ALUMINUM TUBE $\phi 50 \times \phi 26$
MCMaster#1968T233 OR EQ.



Annotation - drawing

unless otherwise specified dimensions are in mm

Copyright by Festo Corporation
 All rights reserved
 Referred to protection notice ISO 16016.

		Index		Modification No.		Qty.	Date	Name
		-						
Type FIRST								
F-US	Date	Name	Material					
Signed	20.01.05	USOMFO						
Checked								
Approved			Made of Part No.					
Scale		Designation				Doc-Type		Part No.
2:1		SPACER				DRW		U2567327

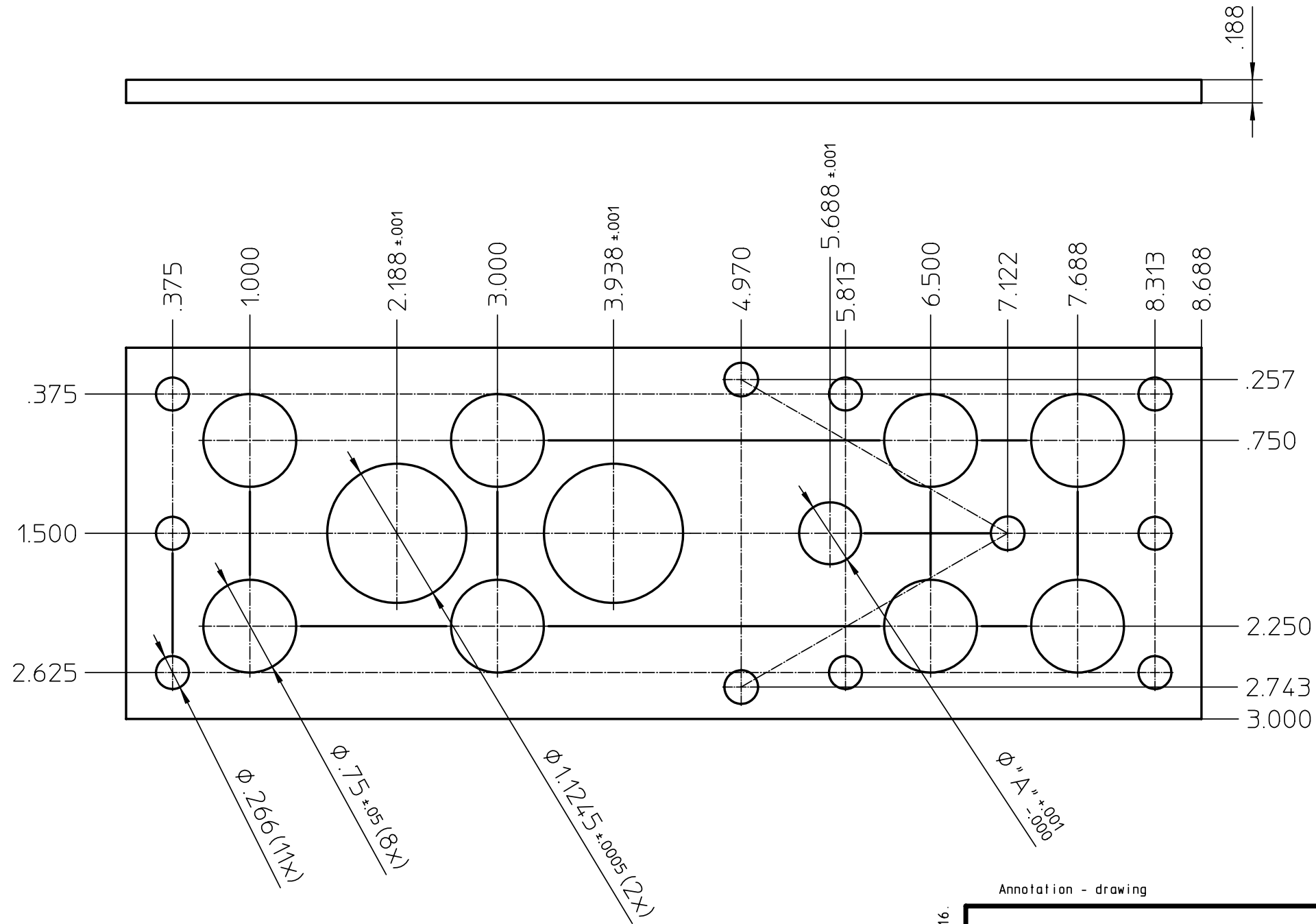
FESTO

Sheet 001/001



GENERAL NOTES:

- 1- QUANTITY REQUIRED:
 2 PCS WITH 'A'=.500'
 2 PCS WITH 'A'=.922'
- 2- GENERAL TOLERANCE IS ±.005
 UNLESS OTHERWISE SPECIFIED.



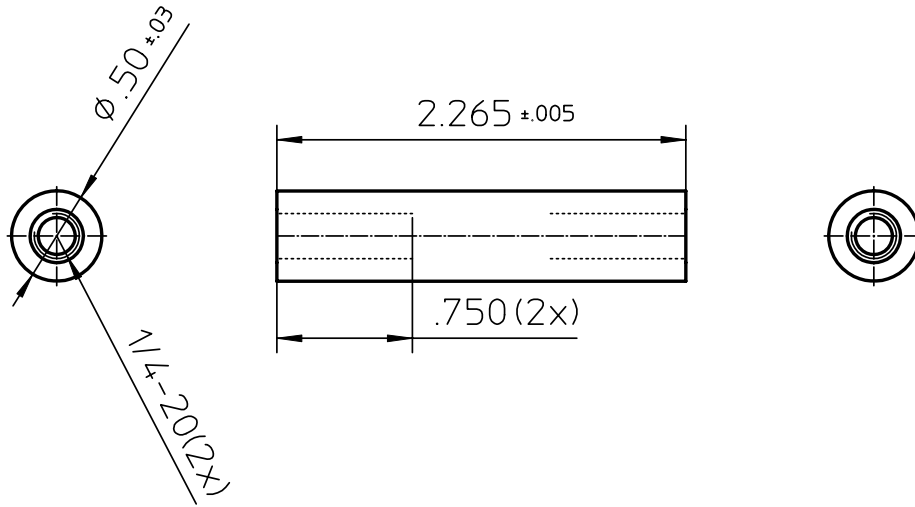
Copyright by Festo Corporation
 All rights reserved.
 Referred to protection notice ISO 16016.

Annotation - drawing unless otherwise specified dimensions are in mm

F-US		Date	Name	Material ALUMINUM 6061-T6 OR EQ.		FESTO	
Signed	01-24-05	US0EKI					
Checked						Sheet 001/001	
Approved				Made of Part No.		Part No. U2567328	
Scale 1:1		Designation MOUNTING PLATE			Doc-Type DRW		

A B C D E F DIN A3 F

GENERAL NOTES:
 1- QTY REQUIRED: 4 PC
 2- MATERIAL: ALUMINUM



Annotation - drawing

unless otherwise specified dimensions are in mm

Index	Modification No.	Qty.	Date	Name
-				
Type FIRST				

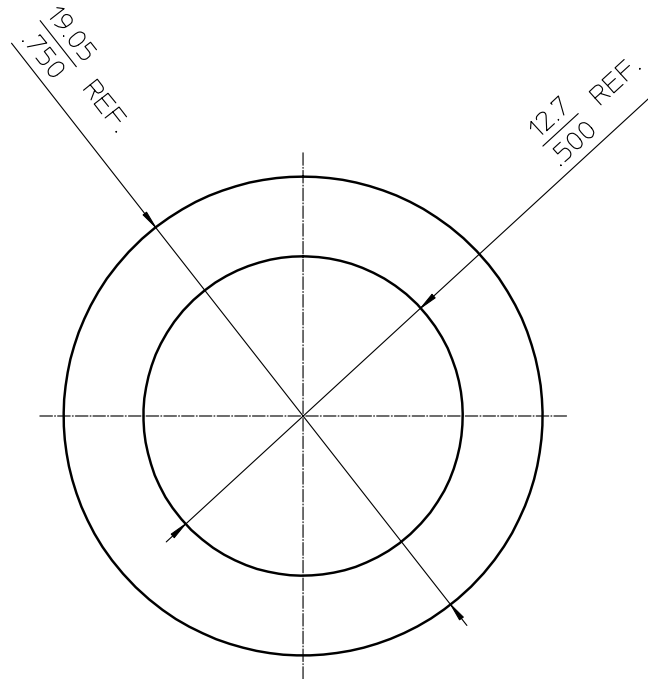
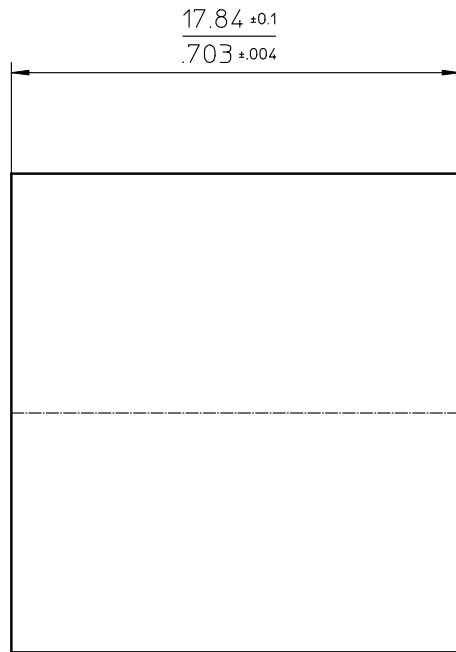
F-US	Date	Name	Material ALUMINUM 6061 OR EQ.	FESTO
Signed	01-24-05	US0EKI		
Checked			Made of Part No.	Sheet 001/001
Approved				Part No. U2567329
Scale	Designation		Doc-Type	
1:1	TAPPED SPACER		DRW	

Copyright by Festo Corporation
 All rights reserved.
 Referred to protection notice ISO 16016.

DIN A4

GENERAL NOTES:

- 1- MAKE FROM PLAIN BEARING
3/4"OD X 1/2"ID X 3/4"LG
MCMaster#6391K223 OR EQ..
- 2- QTY REQUIRED: 2 PC.



Annotation - drawing

unless otherwise specified dimensions are in mm

Copyright by Festo Corporation
All rights reserved
Referred to protection notice ISO 16016.

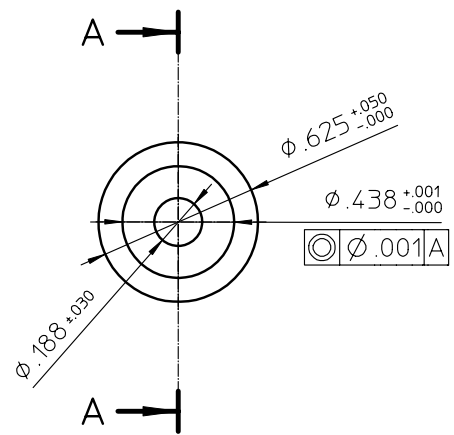
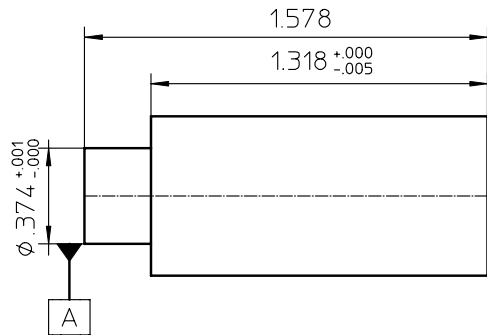
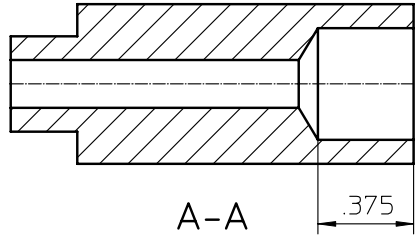
Index		Modification No.		Qty.	Date	Name
-						
Type FIRST						
F-US	Date	Name	Material			
Signed	20.01.05	USOMFO				
Checked						
Approved			Made of Part No.			
Scale		Designation			Doc-Type	Part No.
5:1		BEARING			DRW	U2567334

FESTO

Sheet 001/001



GENERAL NOTES:
 1- QTY REQUIRED: 2 PC
 2- MATERIAL: STAINLESS STEEL



Annotation - drawing

unless otherwise specified dimensions are in mm

Copyright by Festo Corporation
 All rights reserved
 Referred to protection notice ISO 16016.

Index		Modification No.		Qty.	Date	Name
-						
Type FIRST						
F-US	Date	Name	Material			
Signed	25.01.05	USOMFO				
Checked						
Approved			Made of Part No.			
Scale		Designation			Doc-Type	Part No.
2:1		SPACER			DRW	U2567335

FESTO

Sheet 001/001



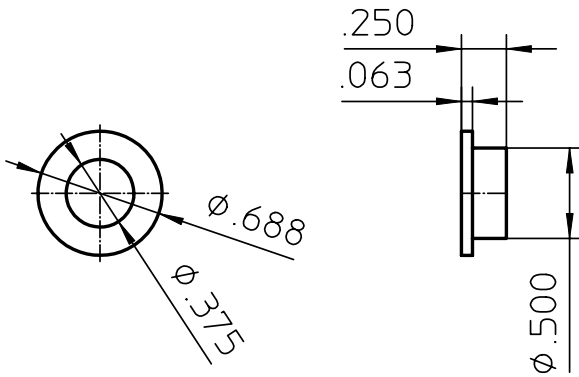
DRW

U2567335

GENERAL NOTES:

1- QTY REQUIRED: 2 PCS

2- FLANGE BEARING MCMMASTER#6338K414



Annotation - drawing

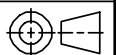
unless otherwise specified dimensions are in mm

Index	Modification No.	Qty.	Date	Name
-				
Type FIRST				

F-US	Date	Name	Material
Signed	01-20-05	USOMBO	
Checked			
Approved			Made of Part No.

FESTO

Sheet 001/001



Scale	Designation	Doc-Type	Part No.
1:1	BUSHING	DRW	U2567336

Copyright by Festo Corporation
All rights reserved.
Referred to protection notice ISO 16016.

DIN A4

1

2

3

4

A

B

C

D

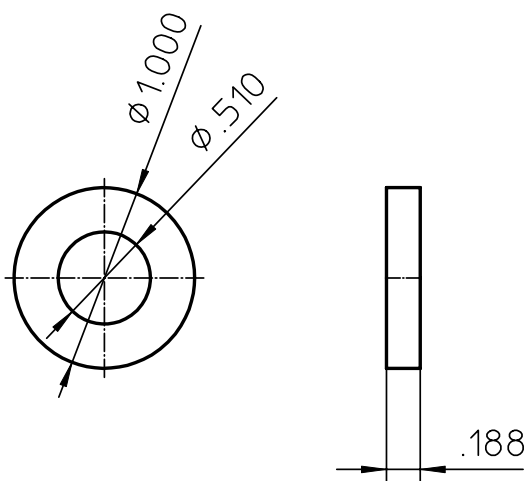
E

F

GENERAL NOTES:

1- QTY REQUIRED: 2 PC

2- BRASS WASHER MCMMASTER#95395A343



Annotation - drawing

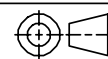
unless otherwise specified dimensions are in mm

Index	Modification No.	Qty.	Date	Name
-				
Type FIRST				

F-US	Date	Name	Material
Signed	01-20-05	USOMBO	
Checked			
Approved			
			Made of Part No.

FESTO

Sheet 001/001



Scale	Designation	Doc-Type	Part No.
1:1	WASHER	DRW	U2567337

Copyright by Festo Corporation
 All rights reserved.
 Referred to protection notice ISO 16016.

DIN A4

1 2 3 4

GENERAL NOTES:

- 1- QUANTITY NEEDED: 2
- 2- GENERAL TOLERANCE IS ±.005 UNLESS OTHERWISE NOTED

A

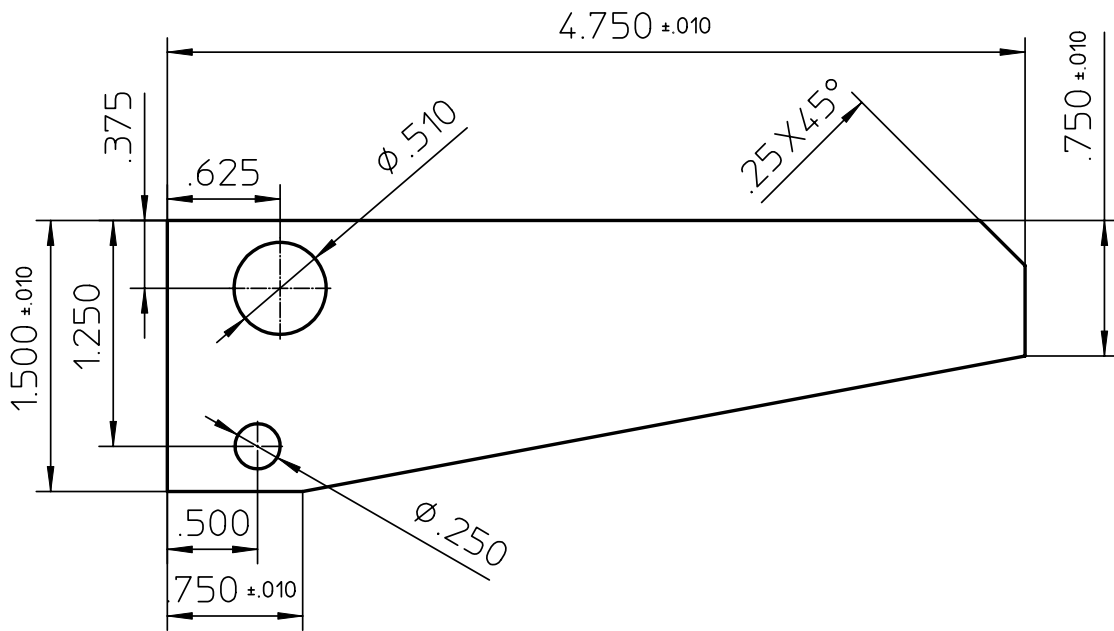
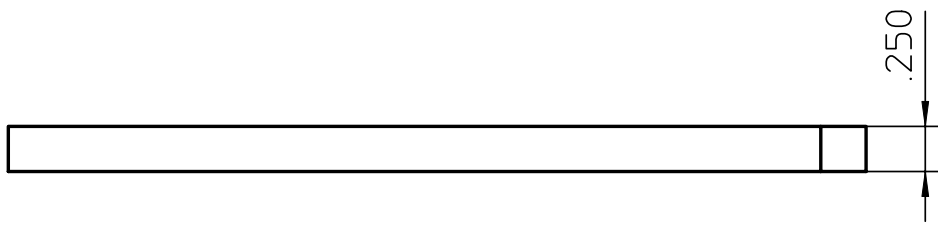
B

C

D

E

F



Annotation - drawing

unless otherwise specified dimensions are in mm

Index	Modification No.	Qty.	Date	Name
-				
Type FIRST				

F-US	Date	Name	Material	FESTO
Signed	01-17-05	US0EKI	ALUMINUM 6061-T6 OR EQ.	
Checked			Made of Part No.	Sheet 001/001
Approved				Part No. U2567339
Scale	Designation		Doc-Type	
1:1	PLATE		DRW	

Copyright by Festo Corporation
All rights reserved.
Referred to protection notice ISO 16016.

DIN A4

1 2 3 4

GENERAL NOTES:

- 1- QUANTITY REQUIRED: 2
- 2- GENERAL TOLERANCE IS $\pm.005$ UNLESS OTHERWISE SPECIFIED.

A

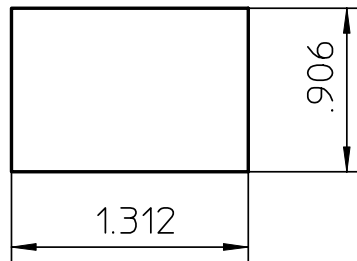
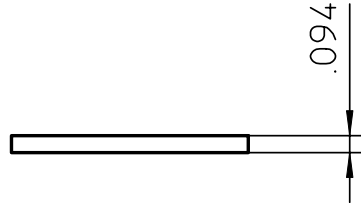
B

C

D

E

F



Annotation - drawing

unless otherwise specified dimensions are in mm

	Index	Modification No.	Qty.	Date	Name
	-				
	Type FIRST				

F-US	Date	Name	Material ALUMINUM 5052-H32 OR 6061-T6	FESTO	
Signed	01-17-05	US0EKI		Sheet 001/001	
Checked			Made of Part No.		
Approved					
Scale		Designation		Doc-Type	Part No.
1:1		PLATE		DRW	U2567340

Copyright by Festo Corporation
 All rights reserved.
 Referred to protection notice ISO 16016.

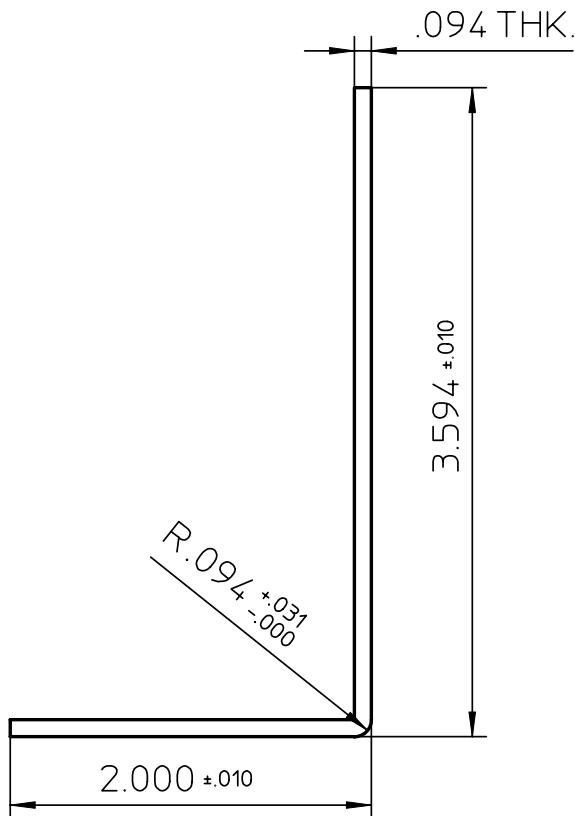
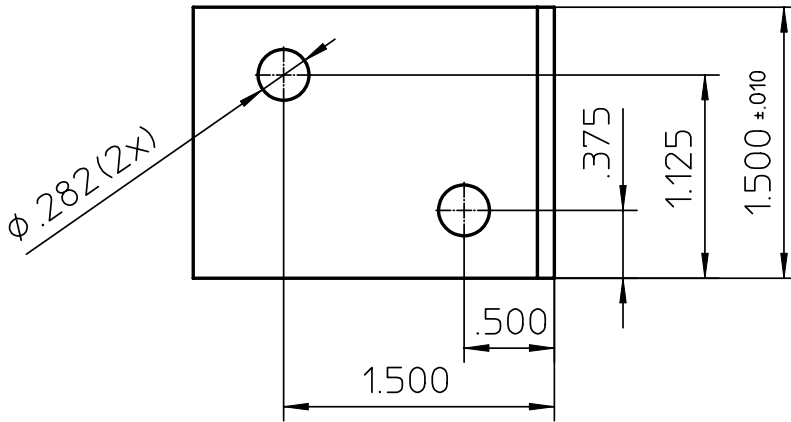
DIN A4

1 2 3 4

A
B
C
D
E
F

GENERAL NOTES:

- 1- QUANTITY REQUIRED: 2
- 2- GENERAL TOLERANCE IS $\pm .005'$ UNLESS OTHERWISE SPECIFIED.



Annotation - drawing

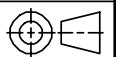
unless otherwise specified dimensions are in mm

Index	Modification No.	Qty.	Date	Name
-				
Type FIRST				

F-US	Date	Name	Material ALUMINUM 5052-H32 OR 6061-T6
Signed	01-17-05	US0EKI	
Checked			
Approved			
Made of Part No.			

FESTO

Sheet 001/001



Scale	Designation	Doc-Type	Part No.
1:1	ANGLE PLATE	DRW	U2567343

Copyright by Festo Corporation
All rights reserved.
Referred to protection notice ISO 16016.

DIN A4

1 2 3 4

GENERAL NOTES:

- 1- QUANTITY REQUIRED: 2
- 2- GENERAL TOLERANCES ARE ±.005 UNLESS OTHERWISE SPECIFIED.

A

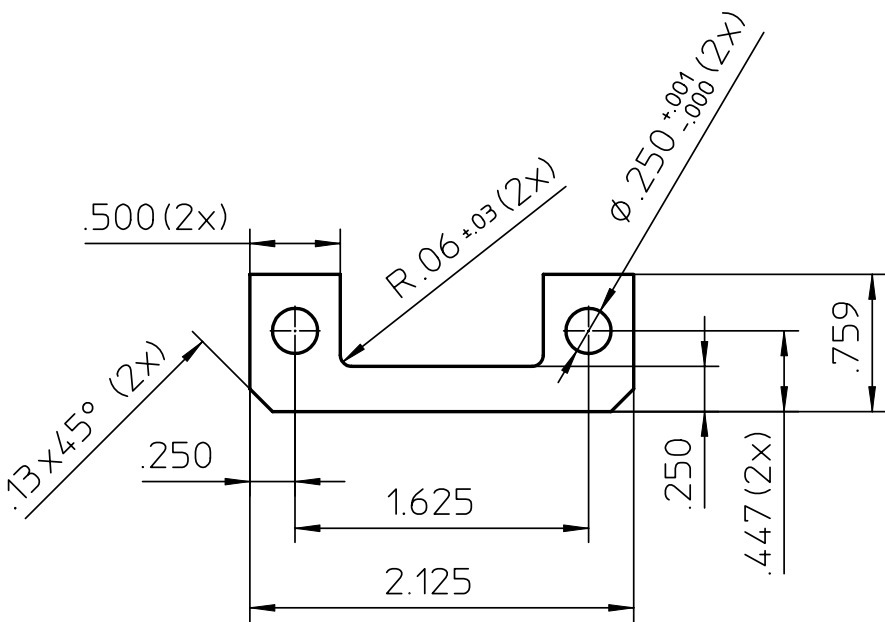
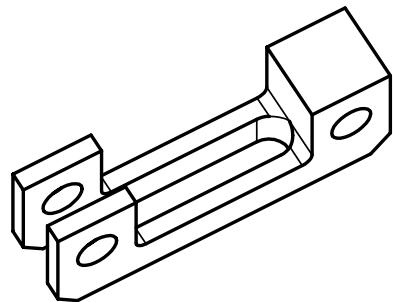
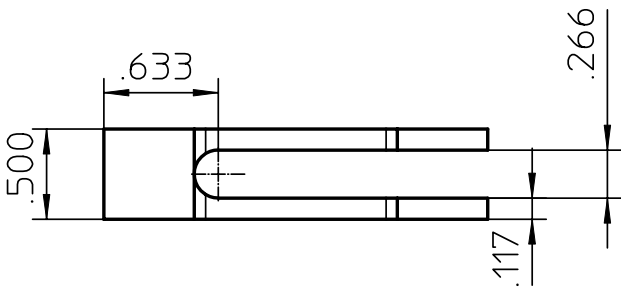
B

C

D

E

F



Annotation - drawing unless otherwise specified dimensions are in mm

Index	Modification No.	Qty.	Date	Name
-				
Type FIRST				

F-US	Date	Name	Material 303 STAINLESS STEEL
Signed	01-17-05	US0EKI	
Checked			
Approved			
			Made of Part No.

FESTO

Sheet 001/001

Scale	Designation	Doc-Type
1:1	PIVOT	DRW

Part No.
U2567344

Copyright by Festo Corporation
All rights reserved.
Referred to protection notice ISO 16016.

DIN A4

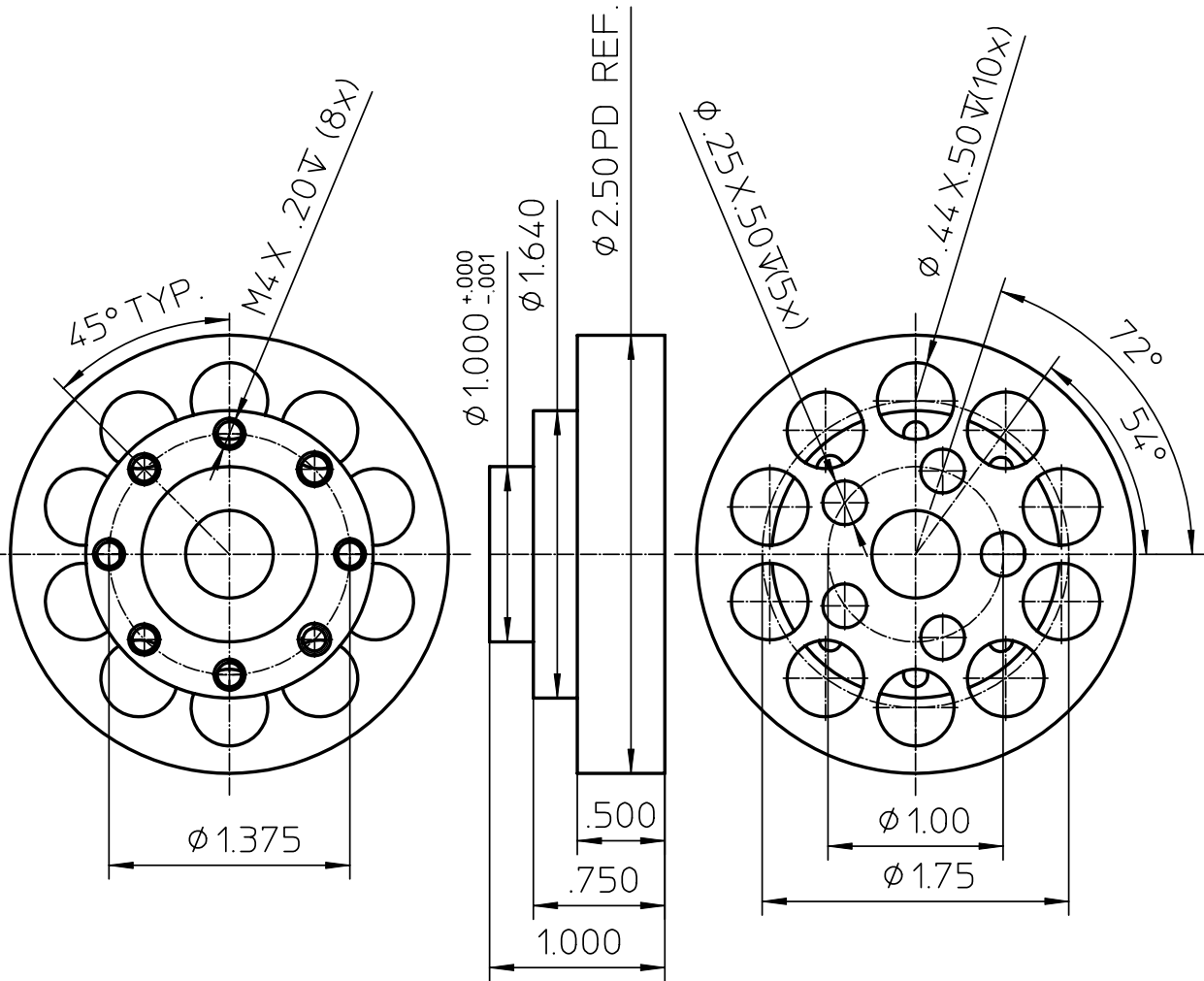
GENERAL NOTES:

1- QTY REQUIRED: 2 PC

2- MATERIAL: SMALLPARTS PART#GSS-2050.

2.5" PITCH DIA. 50 TEECH SPUR GEAR

20° PRESSURE ANGLE



Annotation - drawing

unless otherwise specified dimensions are in mm

Index	Modification No.	Qty.	Date	Name
-				

Type FIRST

F-US	Date	Name	Material	SEE NOTES ABOVE
Signed	01-25-05	USOEKI		
Checked				
Approved			Made of Part No.	

FESTO

Sheet 001/001



Scale	Designation	Doc-Type	Part No.
1:1	SPUR GEAR	DRW	U2567345

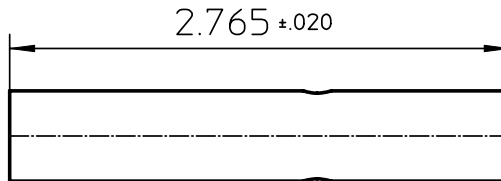
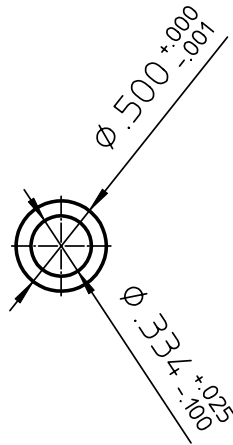
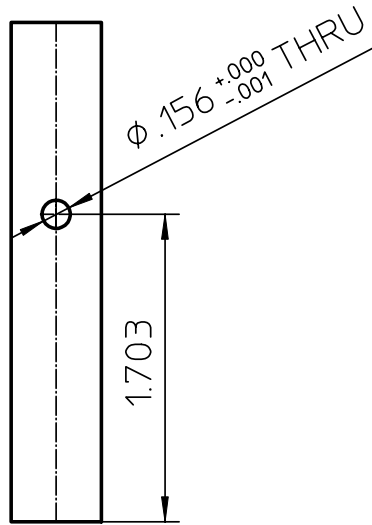
Copyright by Festo Corporation
All rights reserved.
Referred to protection notice ISO 16016.

DIN A4

GENERAL NOTES:

1- QTY REQUIRED: 4 PC

2- MATERIAL: STEEL OR STAINLESS STEEL



Annotation - drawing

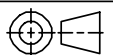
unless otherwise specified dimensions are in mm

Index	Modification No.	Qty.	Date	Name
-				
Type FIRST				

F-US	Date	Name	Material	STEEL
Signed	01-24-05	US0EKI		
Checked				
Approved			Made of Part No.	

FESTO

Sheet 001/001



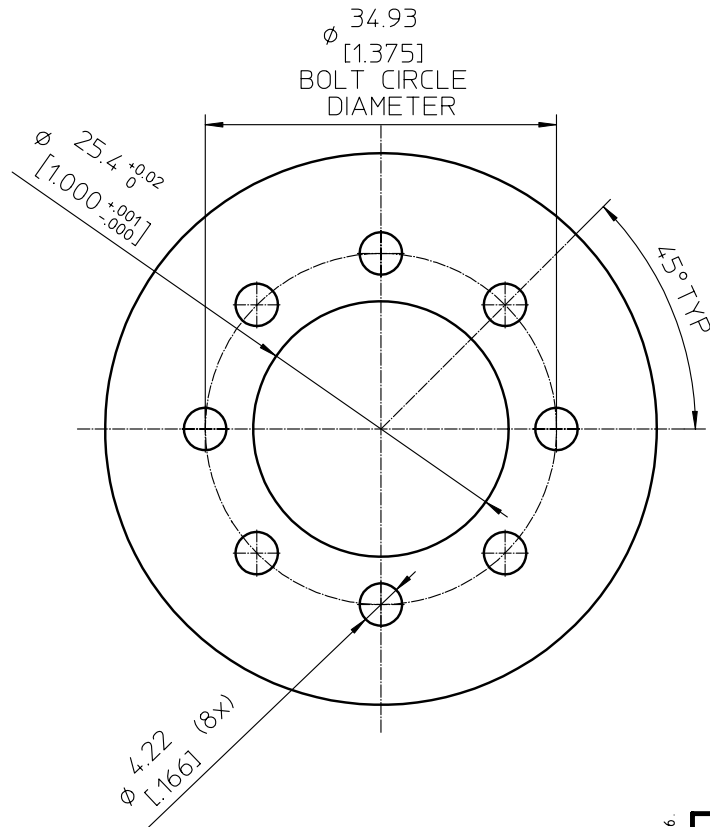
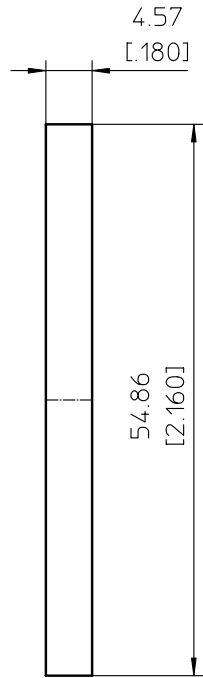
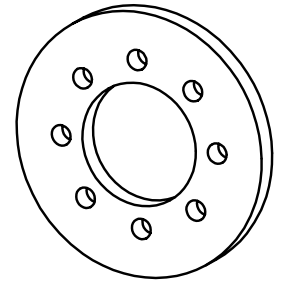
Scale	Designation	Doc-Type	Part No.
1:1	HOLLOW SHAFT	DRW	U2567346

Copyright by Festo Corporation
All rights reserved.
Referred to protection notice ISO 16016.

DIN A4

GENERAL NOTES:

- 1- QTY REQUIRED: 2 PCS
- 2- MATERIAL: SMALLPARTS PART#RCSS-3518/08
#35 CHAIN SPROCKET. 2.16 PITCH DIA.
18 TEETH.



Annotation - drawing

unless otherwise specified dimensions are in mm

Copyright by Festo Corporation
All rights reserved
Referred to protection notice ISO 16016.

Index		Modification No.		Qty.	Date	Name
-						
Type FIRST						
F-US	Date	Name	Material			
Signed	01-21-05	USOPHA				
Checked						
Approved			Made of Part No.			
Scale		Designation			Doc-Type	Part No.
2:1		SPROCKET #35			DRW	U2567347

FESTO

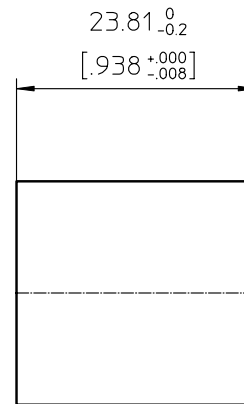
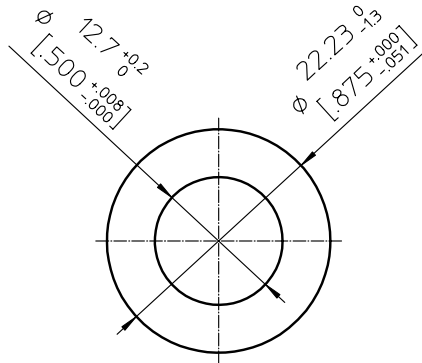
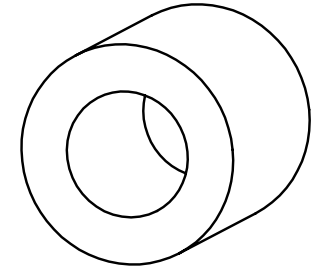
Sheet 001/001



GENERAL NOTES:

1- QTY REQUIRED: 2 PCS

2- MATERIAL: MCMaster#6391K414 OR EQ.
BEARING MATERIAL.



Annotation - drawing

unless otherwise specified dimensions are in mm

Copyright by Festo Corporation
All rights reserved
Referred to protection notice ISO 16016.

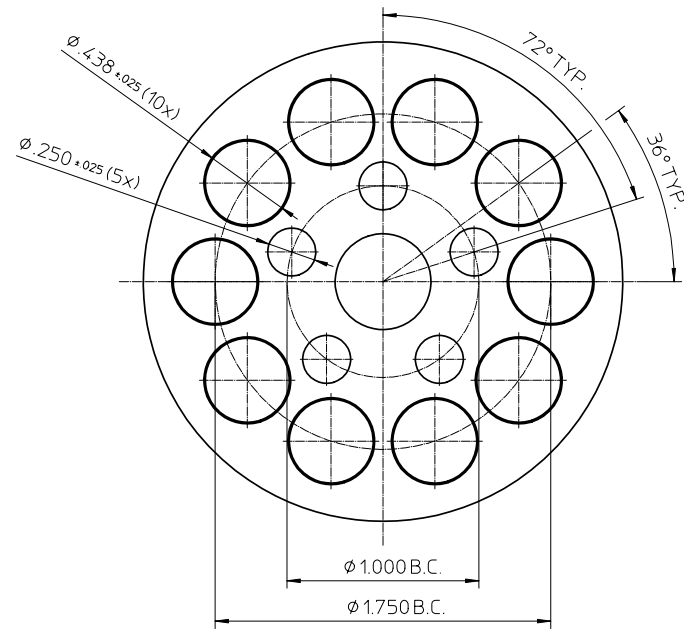
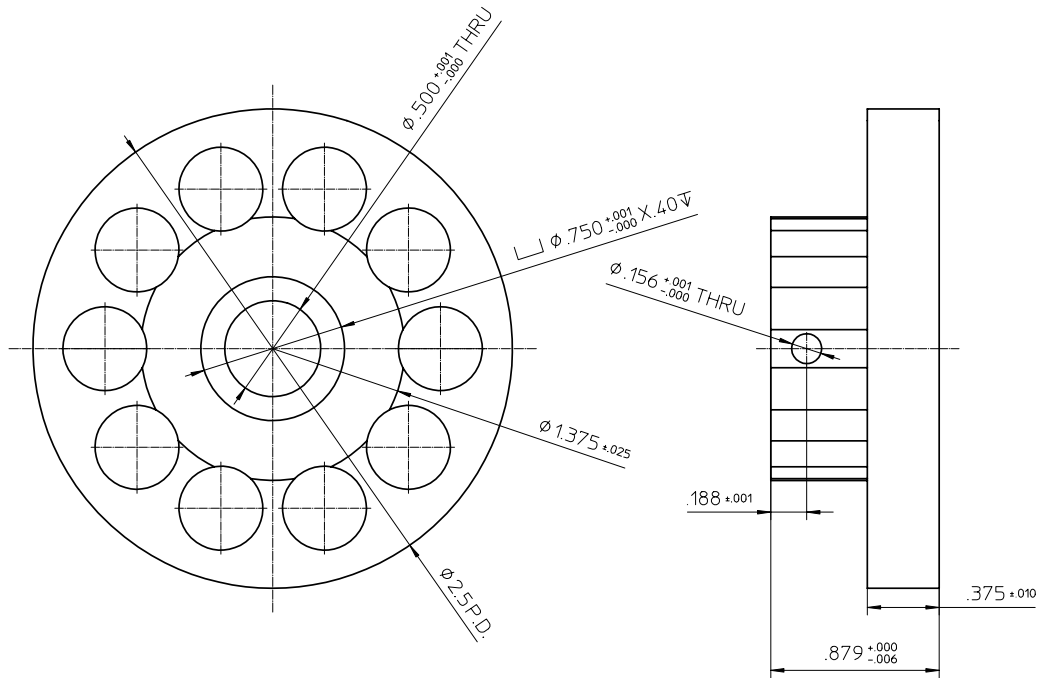
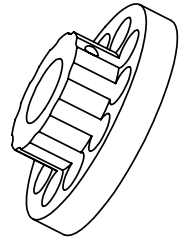
				Index	Modification No.	Qty.	Date	Name
				-				
				Type FIRST				
F-US	Date	Name	Material					
Signed	01-21-05	USOPHA						
Checked								
Approved			Made of Part No.					
Scale		Designation			Doc-Type		Part No.	
2:1		PLASTIC SPACER			DRW		U2567348	



GENERAL NOTES:

1- QTY REQUIRED: 2 PC

2- MAKE FROM SMALLPARTS PART#GSS-2050.



Annotation - drawing

unless otherwise specified dimensions are in mm

Copyright by Festo Corporation
All rights reserved.
Refer to protection notice ISO 16016.

Index		Modification No.	Qty.	Date	Name
-					
Type FIRST					
F-US	Date	Name	Material		
Signed	01-25-05	USOPHA			
Checked					
Approved			Made of Part No.		
Scale	Designation		Doc-Type	Part No.	
2:1	SPUR GEAR		DRW	U2567349	



Sheet 001/001



A

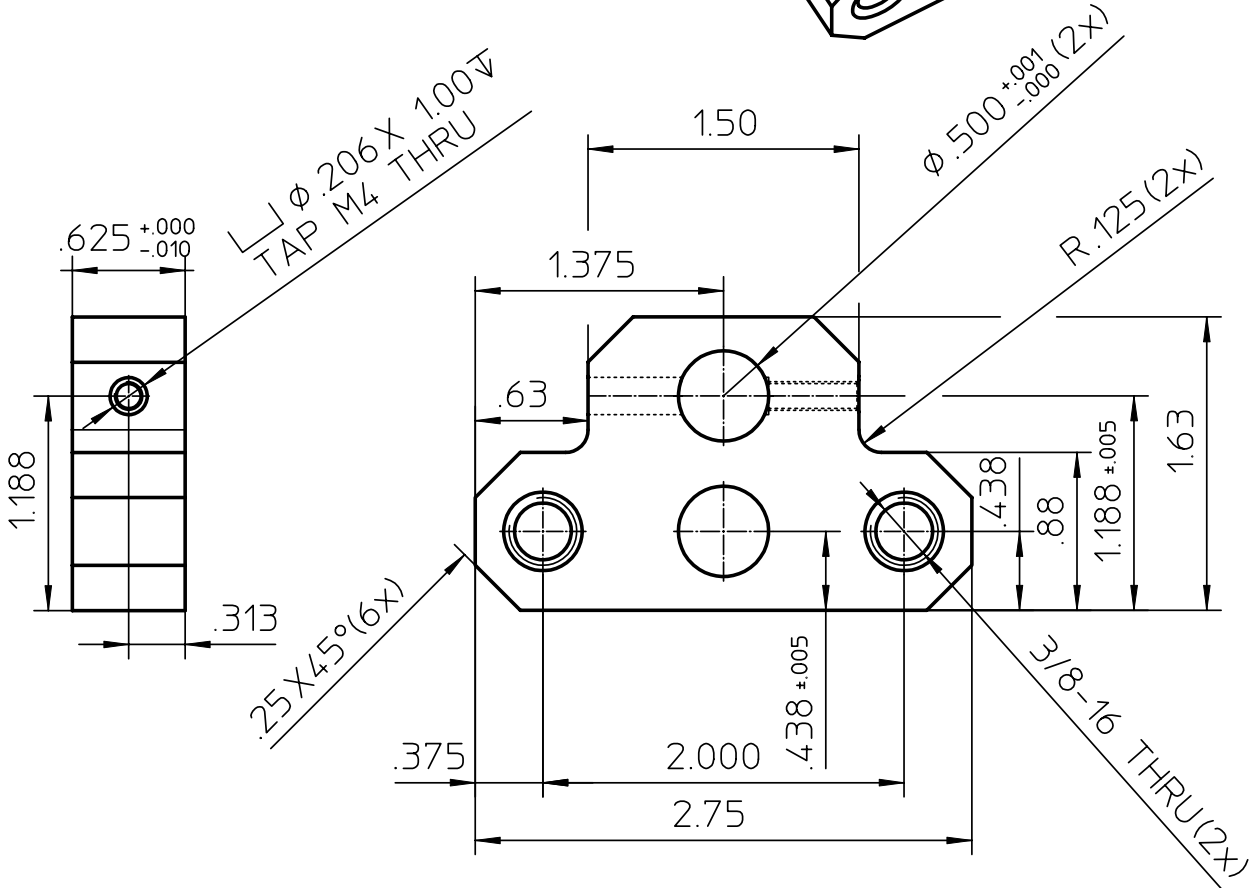
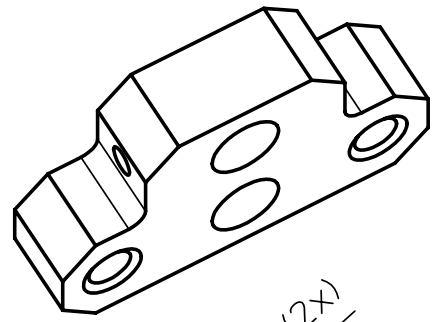
B

C

D

E

F



ALL DIMENSIONS ARE IN INCHES.
 QTY REQUIRED:16

Annotation - drawing

unless otherwise specified dimensions are in mm

Index	Modification No.	Qty.	Date	Name
-				
Type FIRST				

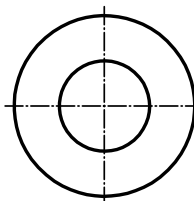
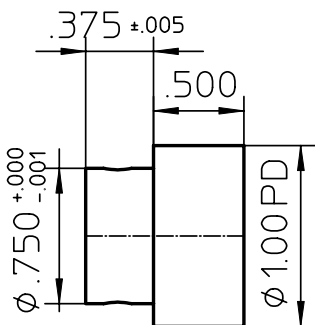
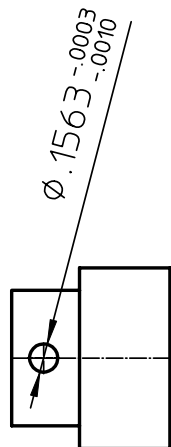
F-US	Date	Name	Material 6061 ALUMINUM	FESTO
Signed	01-21-05	USOSCO		
Checked			Made of Part No.	Sheet 001/001
Approved				Part No. U2567353
Scale 1:1	Designation SHAFT LOCK		Doc-Type DRW	

Copyright by Festo Corporation
 All rights reserved.
 Referred to protection notice ISO 16016.

DIN A4

GENERAL NOTES:

- 1- QTY REQUIRED: 2 PC
- 2- MATERIAL: SMALLPARTS PART#GSS-2020
20DEG PRESSURE ANGLE 20 TEETH 1.00
PITCH DIAMETER SPUR GEAR 1/2' FACE.



Annotation - drawing

unless otherwise specified dimensions are in mm

Index	Modification No.	Qty.	Date	Name
-				
Type FIRST				

F-US	Date	Name	Material	SEE NOTES ABOVE
Signed	01-24-05	US0EKI		
Checked				
Approved			Made of Part No.	

FESTO

Sheet 001/001

Scale	Designation	Doc-Type	Part No.
1:1	SPUR GEAR	DRW	U2567354

Copyright by Festo Corporation
 All rights reserved.
 Referred to protection notice ISO 16016.

DIN A4

1 2 3 4

A

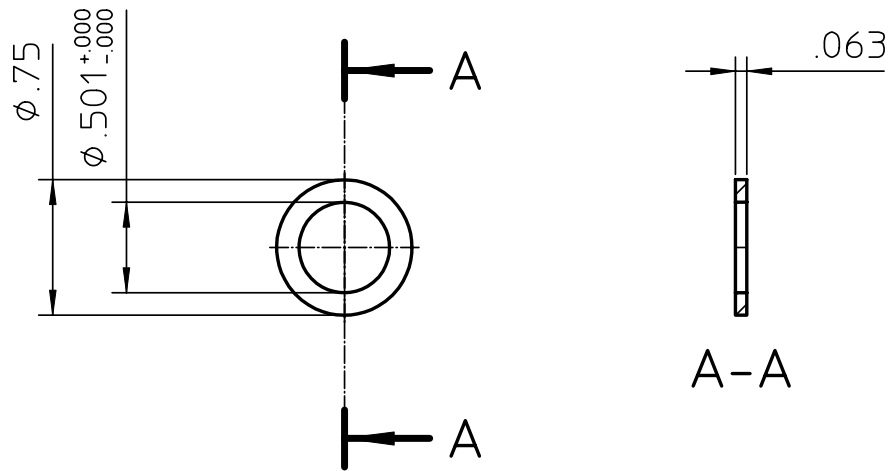
B

C

D

E

F



ALL DIMENSIONS ARE IN INCHES.

QTY: 2

MATERIAL: MCMASTER#91124A090

Annotation - drawing

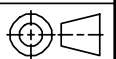
unless otherwise specified dimensions are in mm

Index	Modification No.	Qty.	Date	Name
-				
Type FIRST				

F-US	Date	Name	Material
Signed	01-24-05	USOSCO	
Checked			
Approved			Made of Part No.

FESTO

Sheet 001/001



Scale	Designation	Doc-Type	Part No.
1:1	WASHER	DRW	U2567355

Copyright by Festo Corporation
All rights reserved.
Referred to protection notice ISO 16016.

DIN A4

1 2 3 4

A

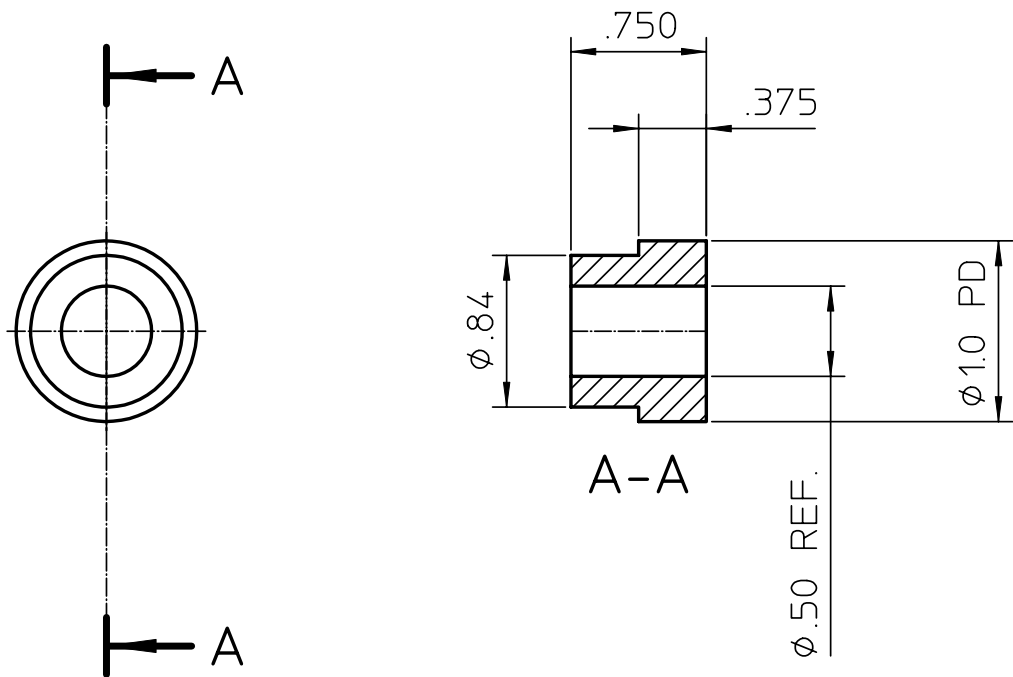
B

C

D

E

F



ALL DIMENSIONS ARE IN INCHES.
REMOVE ALL AND BREAK ALL SHARP EDGES.

QUANTITY: 2 PC
MATERIAL: SMALLPARTS PART#GSS-2020
20DEG PRESSURE ANGL SPUR GEAR
PITCH DIA. 1.00" 20 TEETH.

Annotation - drawing unless otherwise specified dimensions are in mm

Index	Modification No.	Qty.	Date	Name
-				

Type FIRST

F-US	Date	Name	Material
Signed	01-24-05	USOSCO	
Checked			
Approved			Made of Part No.

FESTO

Sheet 001/001

Scale	Designation	Doc-Type	Part No.
1:1	SPUR GEAR	DRW	U2567356

Copyright by Festo Corporation
All rights reserved.
Referred to protection notice ISO 16016.

DIN A4

1 2 3 4

A

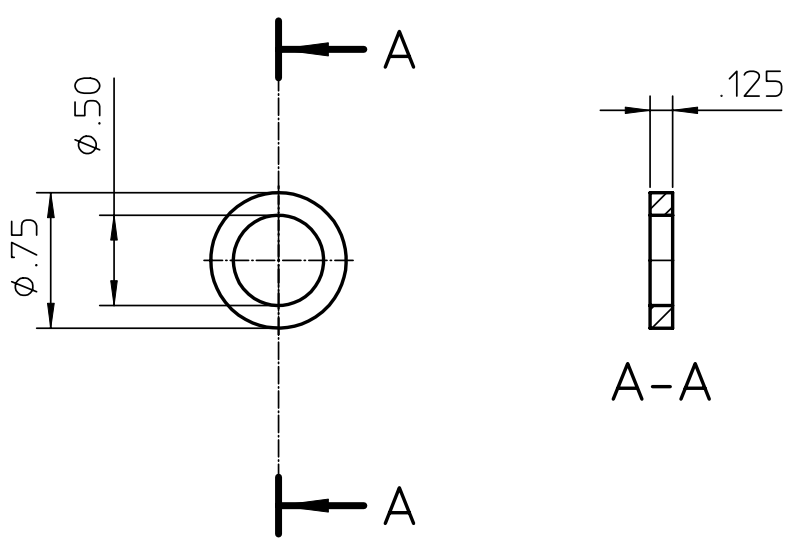
B

C

D

E

F



ALL DIMENSIONS ARE IN INCHES.
 QUANTITY: 2
 MATERIAL: MCMASTER#98126A837

Annotation - drawing unless otherwise specified dimensions are in mm

Index	Modification No.	Qty.	Date	Name
-				

Type FIRST

F-US	Date	Name	Material
Signed	01-24-05	USOSCO	
Checked			
Approved			Made of Part No.

FESTO

Sheet 001/001

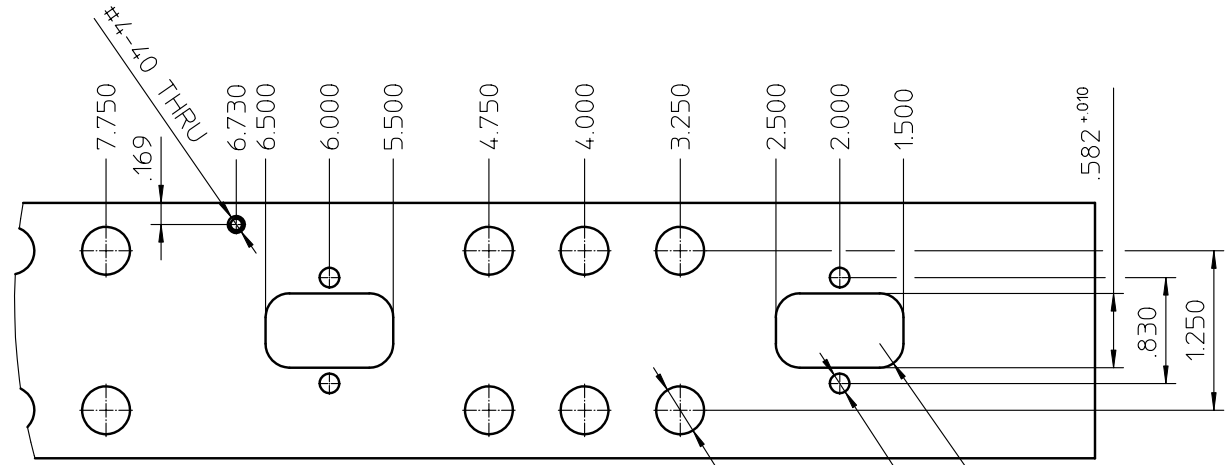
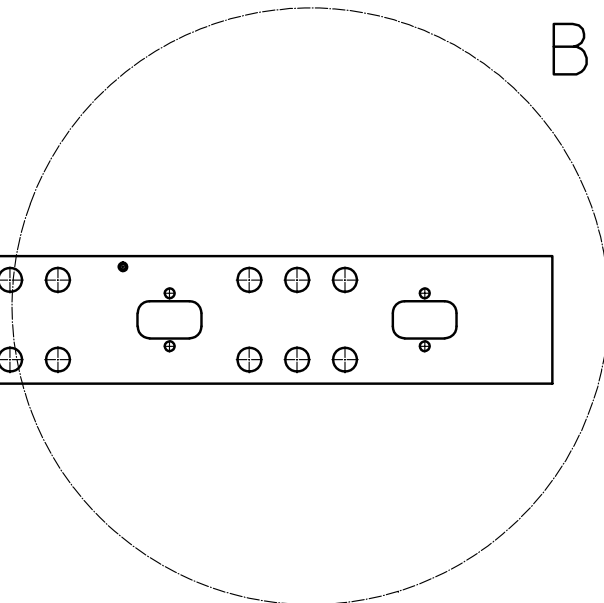
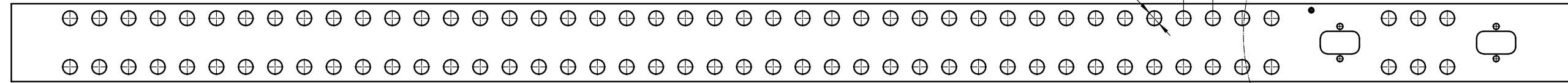
Scale	Designation	Doc-Type	Part No.
1:1	WASHER	DRW	U2567357

Copyright by Festo Corporation
 All rights reserved.
 Referred to protection notice ISO 16016.

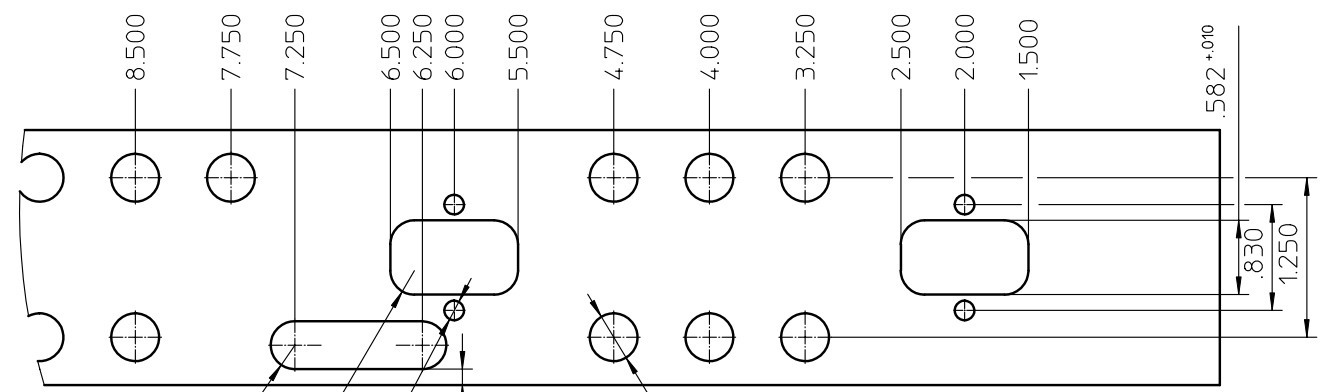
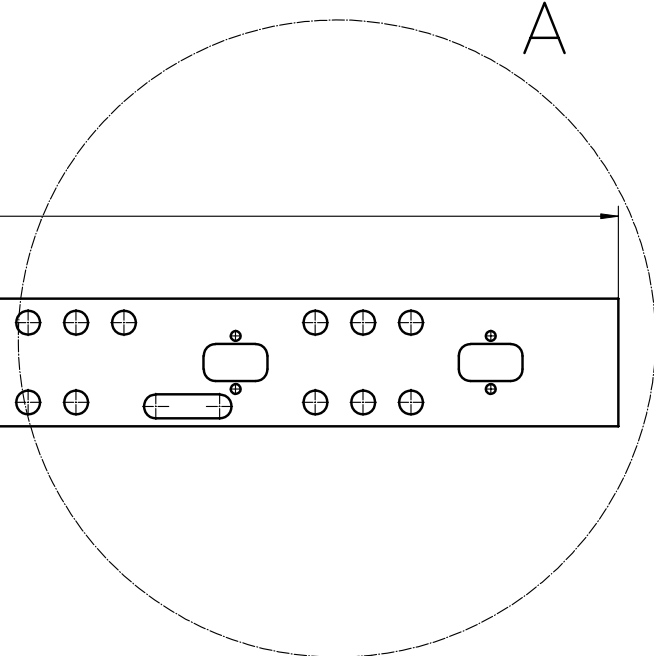
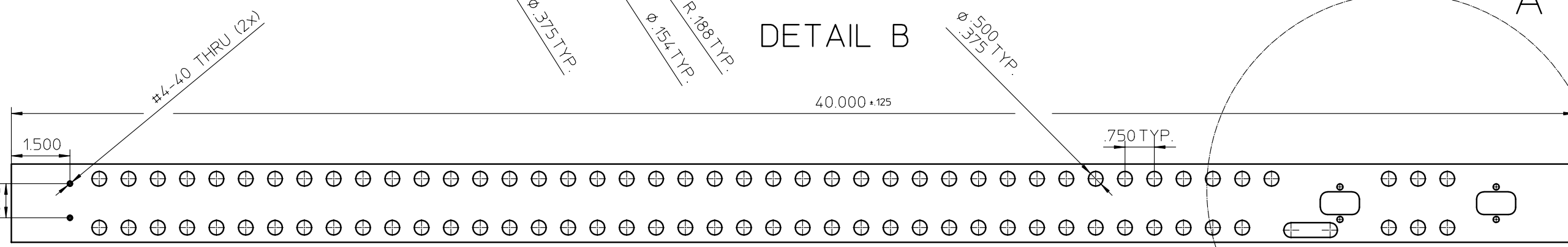
DIN A4

GENERAL NOTES:

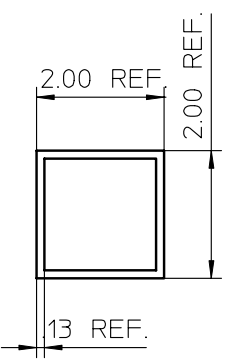
- 1- QUANTITY REQUIRED: 2 PCS
- 2- MATERIAL: ALUMINUM SQUARE TUBE
2" X 2" X .125THK
- 3- CUT ALL FEATURE THROUGH BOTH SIDES OF THE TUBE.



DETAIL B



DETAIL A



Copyright by Festo Corporation
All rights reserved
Referred to protection notice ISO 16016.

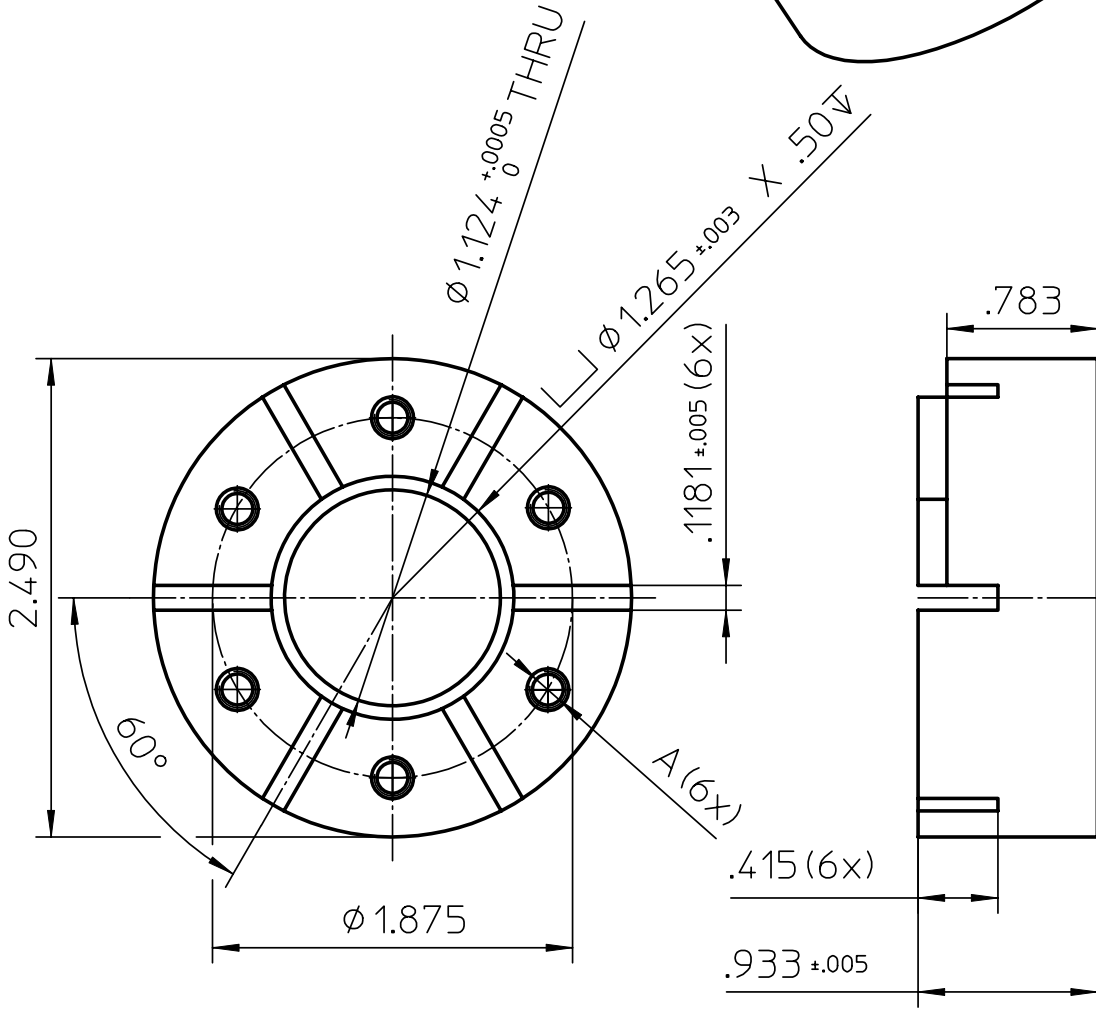
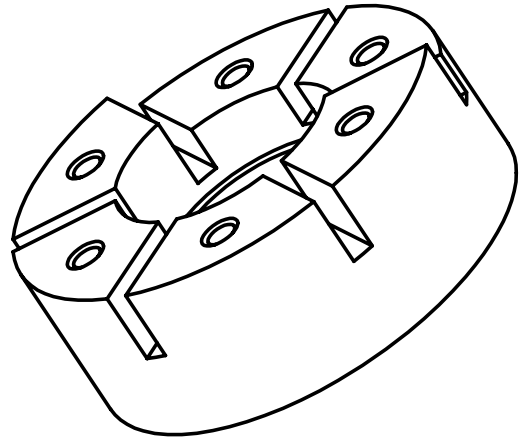
Annotation - drawing				unless otherwise specified dimensions are in mm			
Index	Modification No.	Qty	Date	Name			
-					Type FIRST		
F-US	Date	Name	Material		SEE NOTES ABOVE		
Signed	02-02-05	USOEKI					
Checked							
Approved							
Scale	Designation		Doc-Type	Part No.			
1:2	RECT TUBE		DRW	U2567368			

DIN A2

GENERAL NOTES:

1- QUANTITY REQUIRED:

- 8 PCS WITH 'A' = 10/32 UNF-2a THRU
- 8 PCS WITH 'A' = ϕ .217 THRU



Annotation - drawing

unless otherwise specified dimensions are in mm

Index	Modification No.	Qty.	Date	Name
-				

Type FIRST

F-US	Date	Name	Material ALUMINUM
Signed	01-13-05	US0EKI	
Checked			
Approved			
			Made of Part No.

FESTO

Sheet 001/001

Scale	Designation	Doc-Type	Part No.
1:1	WHEEL SPACER	DRW	U2567381

Copyright by Festo Corporation
 All rights reserved.
 Referred to protection notice ISO 16016.

DIN A4

GENERAL NOTES:

1- QUANTITY REQUIRED: 34 PCS

2- MATERIAL: PRECISION STEEL OR STAINLESS STEEL SHAFT
 MCMaster#6493K3 OR EQ.
 SS316 X 60'

A

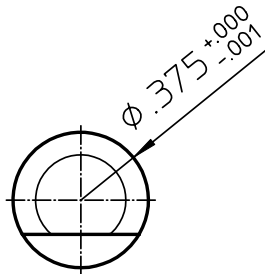
B

C

D

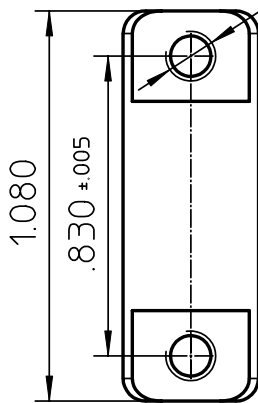
E

F



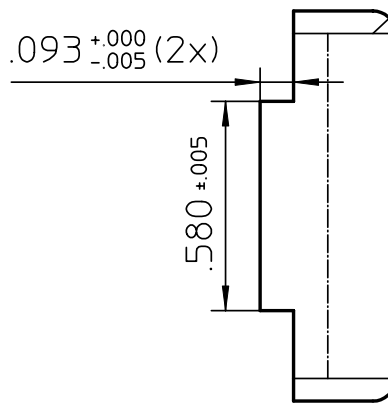
#6-32 X .15 (2x)
 DON'T BREAKTHROUGH

R.063 TYP.



$.093^{+.000}_{-.005}$ (2x)

$.580 \pm .005$



Annotation - drawing

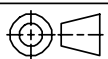
unless otherwise specified dimensions are in mm

Index	Modification No.	Qty.	Date	Name
-				
Type FIRST				

F-US	Date	Name	Material	SEE NOTES ABOVE
Signed	01-26-05	USOEKI		
Checked				
Approved			Made of Part No.	

FESTO

Sheet 001/001



Scale	Designation	Doc-Type	Part No.
2:1	SHAFT	DRW	U2567382

Copyright by Festo Corporation
 All rights reserved.
 Referred to protection notice ISO 16016.

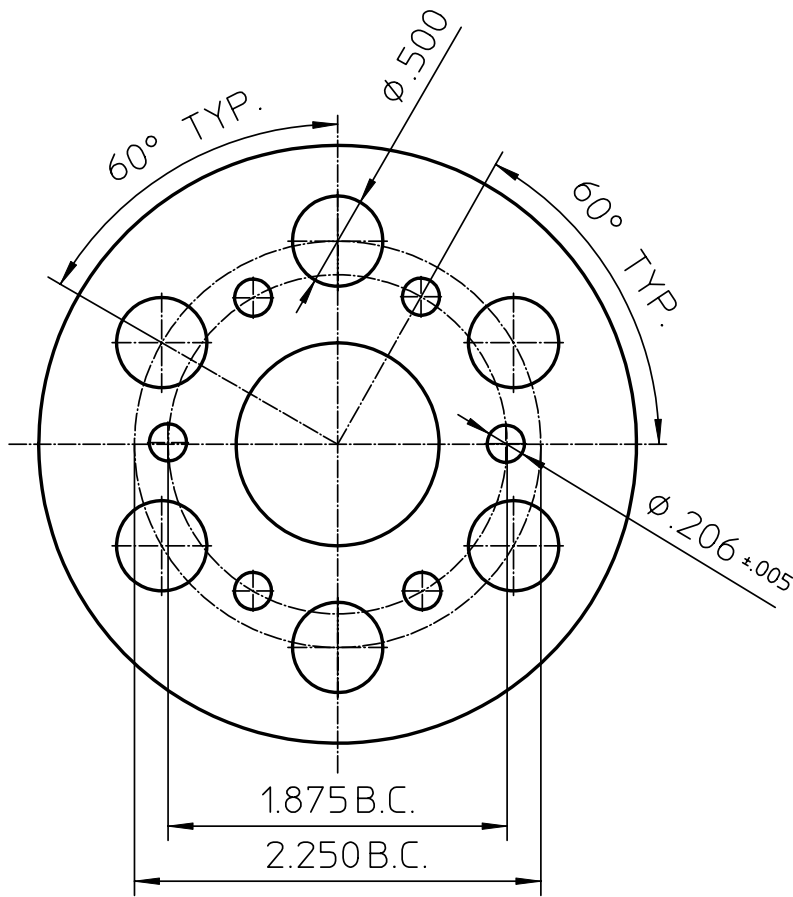
DIN A4

GENERAL NOTES:

1- REQUIRED QTY: 8 PCS

2- MATERIAL: MARTIN GEARS & SPROCKETS

PART#35A26



Annotation - drawing

unless otherwise specified dimensions are in mm

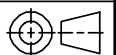
Index	Modification No.	Qty.	Date	Name
-				

Type FIRST

F-US	Date	Name	Material	SEE NOTES ABOVE
Signed	01-28-05	US0EKI		
Checked				
Approved			Made of Part No.	

FESTO

Sheet 001/001



Scale	Designation	Doc-Type	Part No.
1:1	SPROCKET	DRW	U2567385

Copyright by Festo Corporation
All rights reserved.
Referred to protection notice ISO 16016.

DIN A4

GENERAL NOTES:

1- QUANTITY REQUIRED: 4 PCS

2- MATERIAL: ALUMINUM

A

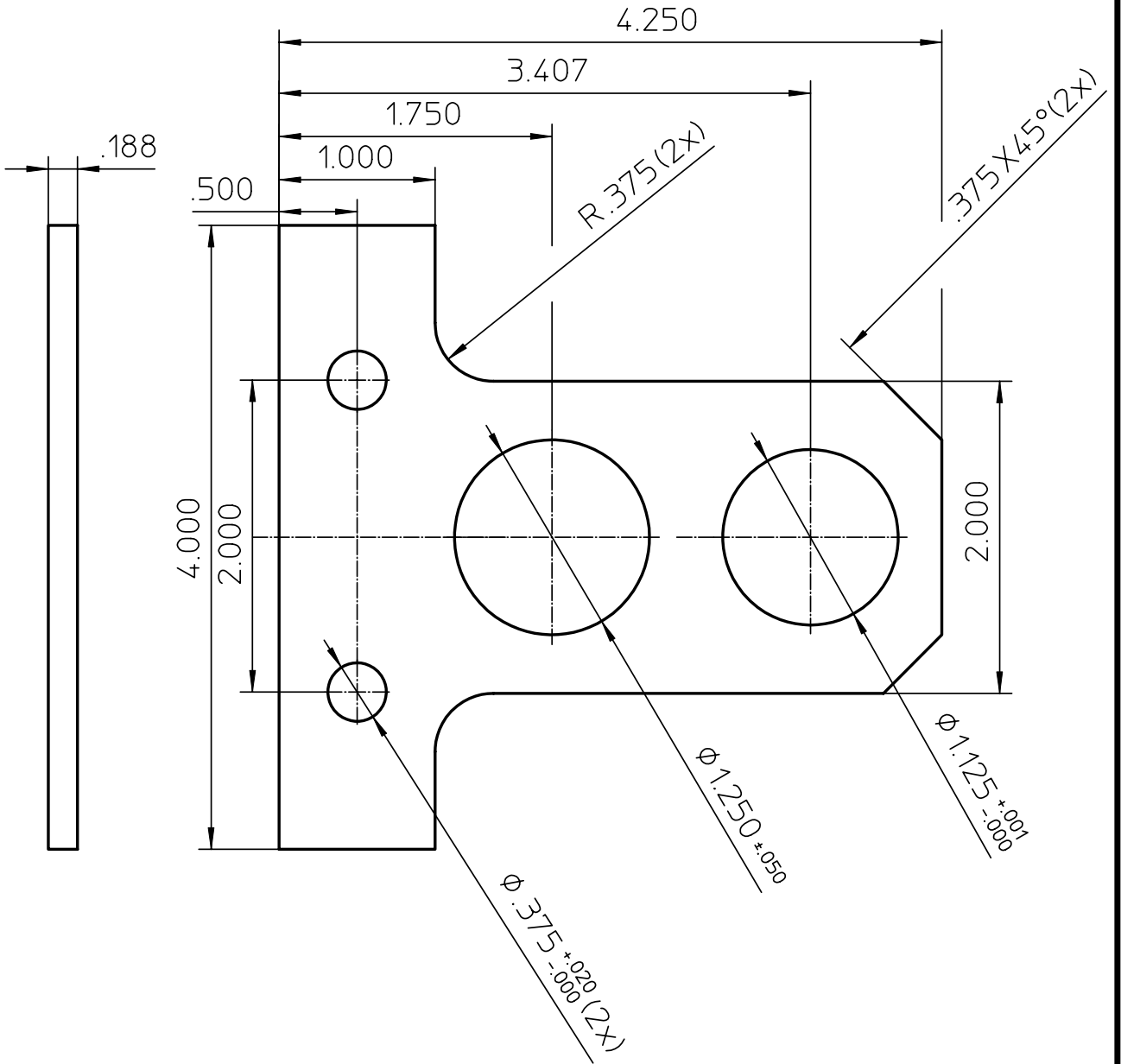
B

C

D

E

F



Annotation - drawing

unless otherwise specified dimensions are in mm

Index	Modification No.	Qty.	Date	Name
-				

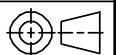
Type FIRST

F-US	Date	Name
Signed	01-31-05	US0EKI
Checked		
Approved		

Material	ALUMINUM
Made of Part No.	

FESTO

Sheet 001/001



Scale

1:1

Designation

BEARING PLATE

Doc-Type

DRW

Part No.

U2567392

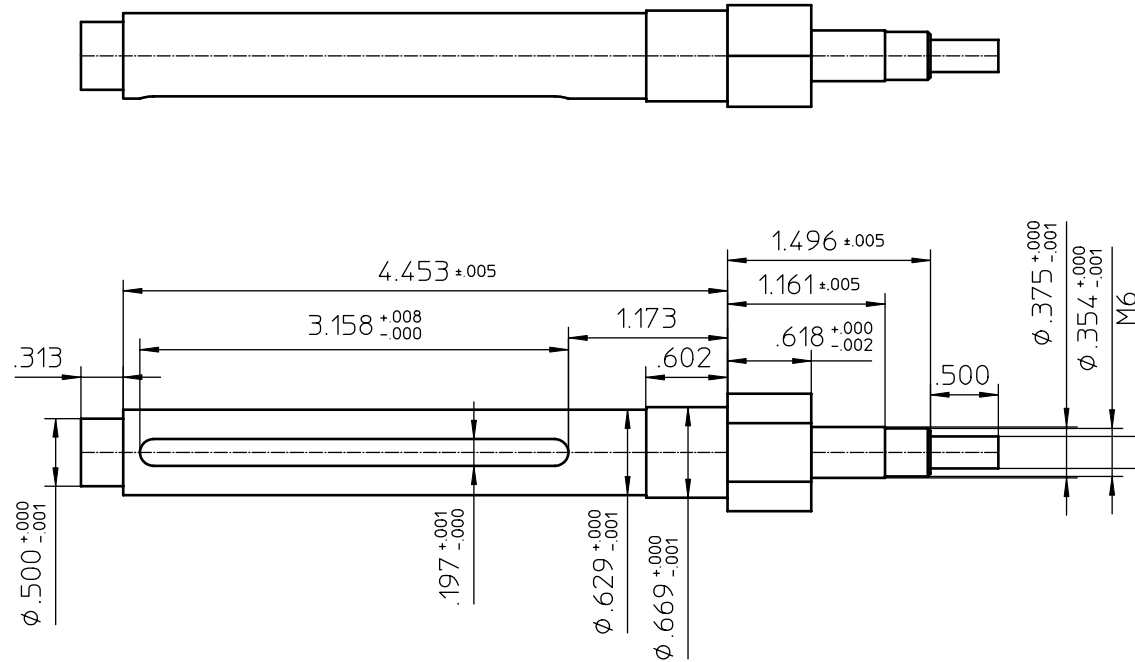
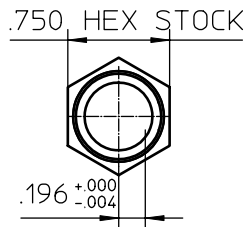
Copyright by Festo Corporation
All rights reserved.
Referred to protection notice ISO 16016.

DIN A4

GENERAL NOTES:

1- QUANTITY REQUIRED: 4 PC

2- MATERIAL: MAKE FROM 3/4" HEX BAR STOCK
MCMaster#6512K42.



Annotation - drawing

unless otherwise specified dimensions are in mm

Index			Modification No.		Qty	Date	Name
-							
Type FIRST							
F-US	Date	Name	Material SEE NOTES ABOVE				
Signed	01-28-05	USOEKI					
Checked							
Approved			Made of Part No.				
Scale	Designation			Doc-Type	Part No.		
1:1	DRIVE SHAFT			DRW	U2567393		

Copyright by Festo Corporation
All rights reserved.
Referred to protection notice ISO 16016.

FESTO

Sheet 001/001



GENERAL NOTES:

1- QUANTITY REQUIRED: 4 PCS

2- MATERIAL: PLASTIC HOLLOW ROD
MCMaster#8585K51

A

B

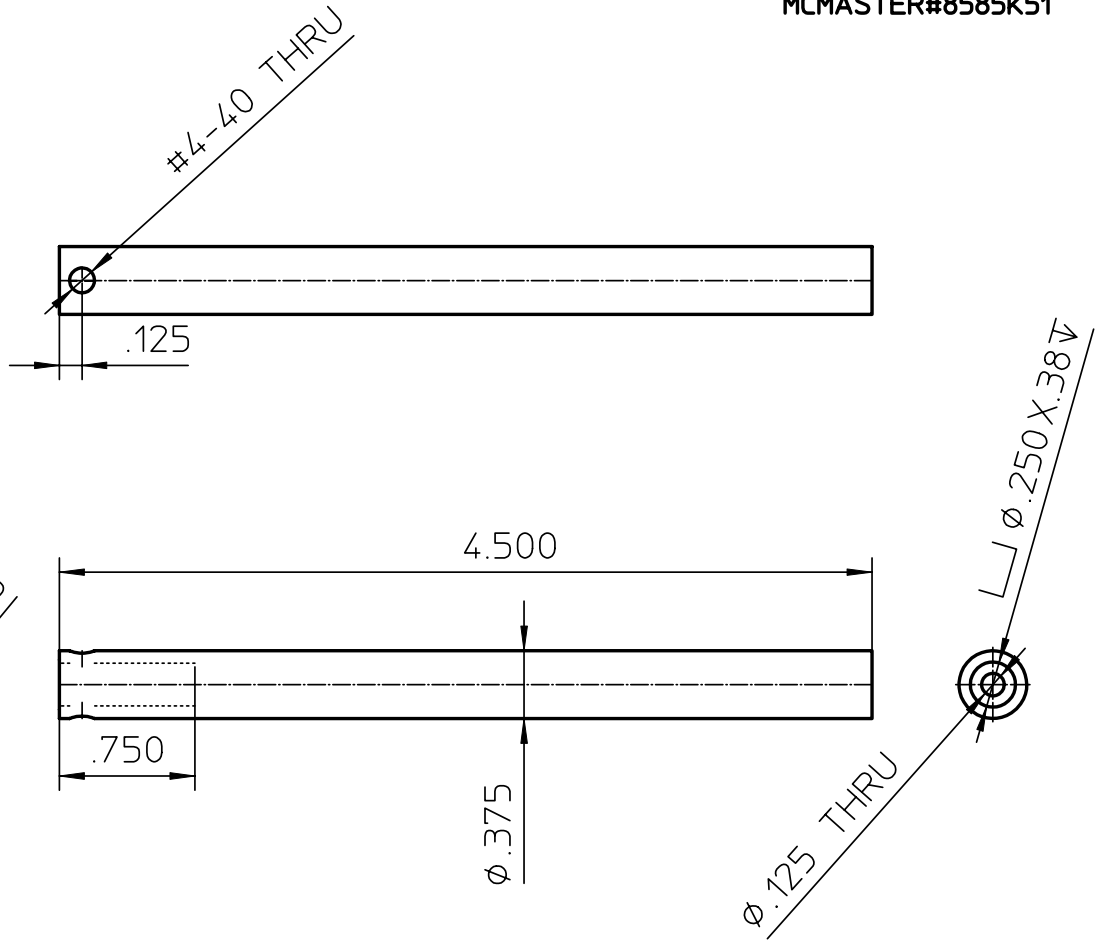
C

D

E

F

1 2 3 4



Annotation - drawing

unless otherwise specified dimensions are in mm

Index	Modification No.	Qty.	Date	Name
-				
Type FIRST				

F-US	Date	Name	Material	SEE NOTES ABOVE
Signed	01-31-05	USOEKI		
Checked				
Approved			Made of Part No.	

FESTO

Sheet 001/001

Scale	Designation	Doc-Type	Part No.
1:1	PLASTIC ROD	DRW	U2567396

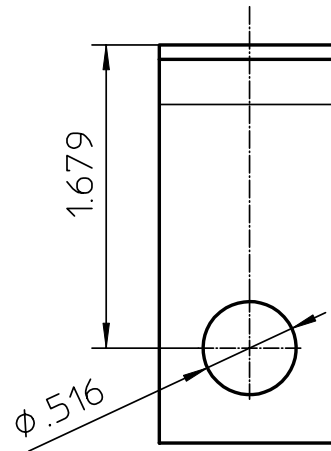
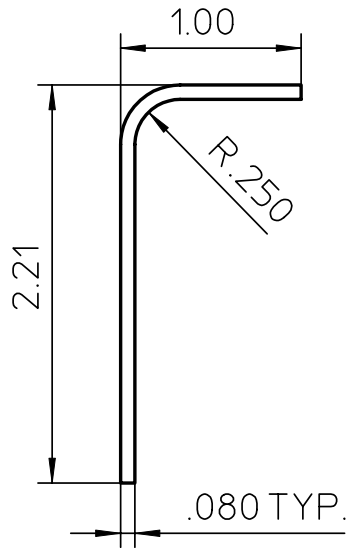
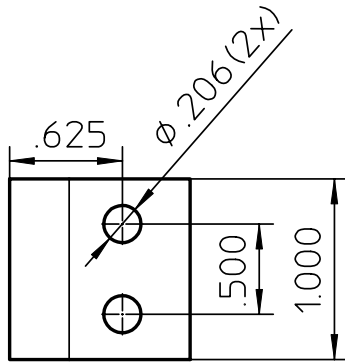
Copyright by Festo Corporation
All rights reserved.
Referred to protection notice ISO 16016.

DIN A4

GENERAL NOTES:

1- QUANTITY REQUIRED: 4 PCS

2- MATERIAL: ALUMINUM



Annotation - drawing

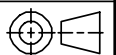
unless otherwise specified dimensions are in mm

Index	Modification No.	Qty.	Date	Name
-				
Type FIRST				

F-US	Date	Name	Material ALUMINUM
Signed	01-31-05	USOEKI	
Checked			
Approved			Made of Part No.

FESTO

Sheet 001/001



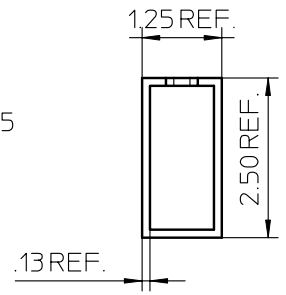
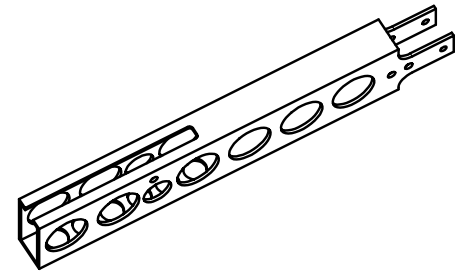
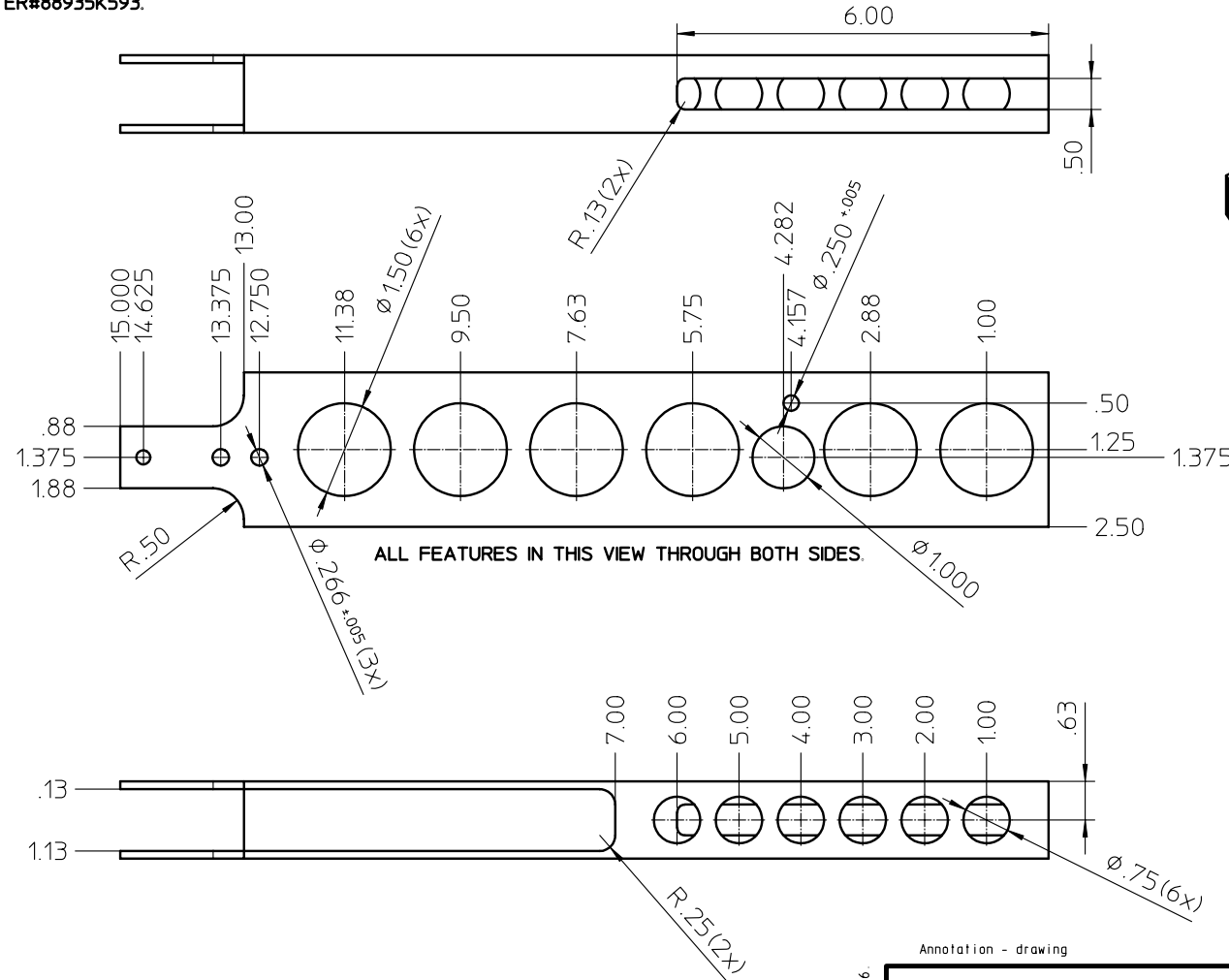
Scale	Designation	Doc-Type	Part No.
1:1	ENCODER MTG BLK	DRW	U2567397

Copyright by Festo Corporation
All rights reserved.
Referred to protection notice ISO 16016.

DIN A4

GENERAL NOTES:

- 1- REQUIRED QTY: 2 PCS
- 2- MATERIAL: 2-1/2 X 1/-1/4 X .125THK ALUMINUM RECT. TUBE
MCMaster#88935K593.



Copyright by Festo Corporation
All rights reserved
Referred to protection notice ISO 16016.

Annotation - drawing unless otherwise specified dimensions are in mm

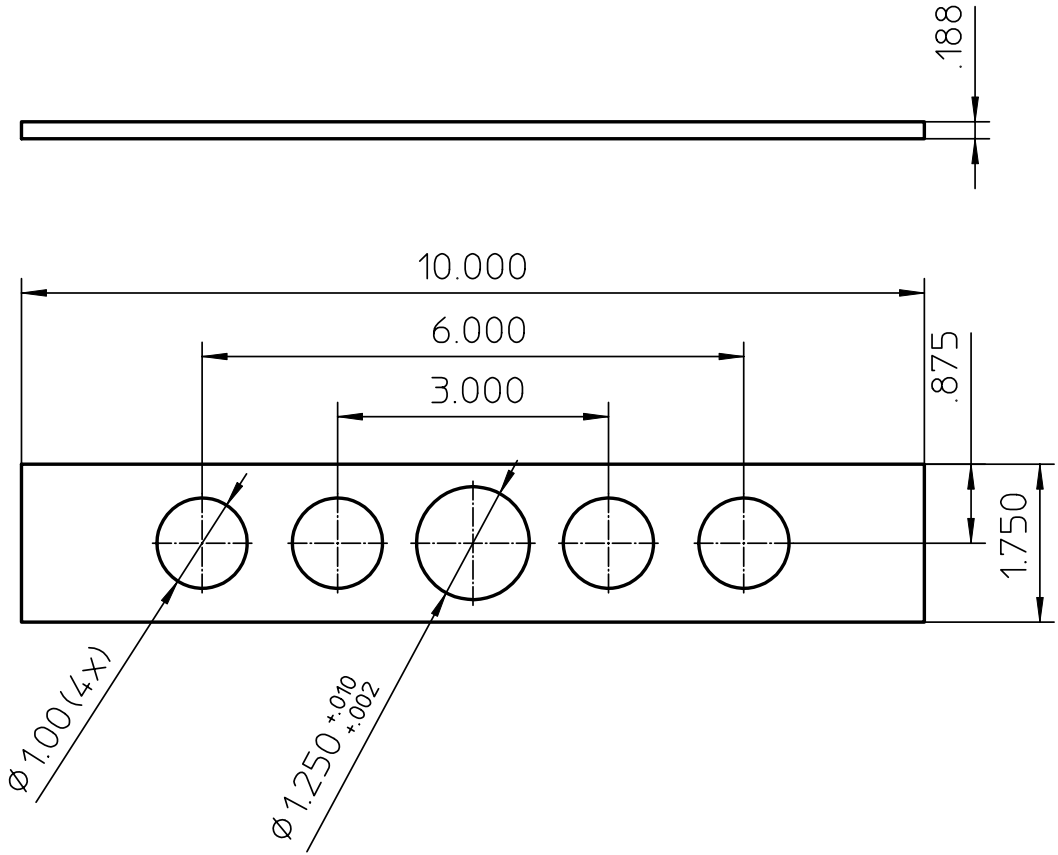
Index	Modification No.	Qty.	Date	Name
-				
Type FIRST				
F-US	Date	Name	Material SEE NOTES ABOVE	
Signed	02-03-05	US0EKI		
Checked				
Approved			Made of Part No.	
Scale	Designation		Doc-Type	Part No.
1:2	COVER		DRW	U2568406

Sheet 001/001

GENERAL NOTES:

1- QUANTITY REQUIRED: 2 PCS

2- MATERIAL: ALUMINUM



Annotation - drawing

unless otherwise specified dimensions are in mm

Index	Modification No.	Qty.	Date	Name
-				
Type FIRST				

F-US	Date	Name	Material	FESTO
Signed	02-10-05	US0EKI	ALUMINUM	
Checked			Made of Part No.	Sheet 001/001
Approved				
Scale	Designation	Doc-Type	Part No.	
1:1	PIVOT PLATE	DRW	U25684 16	

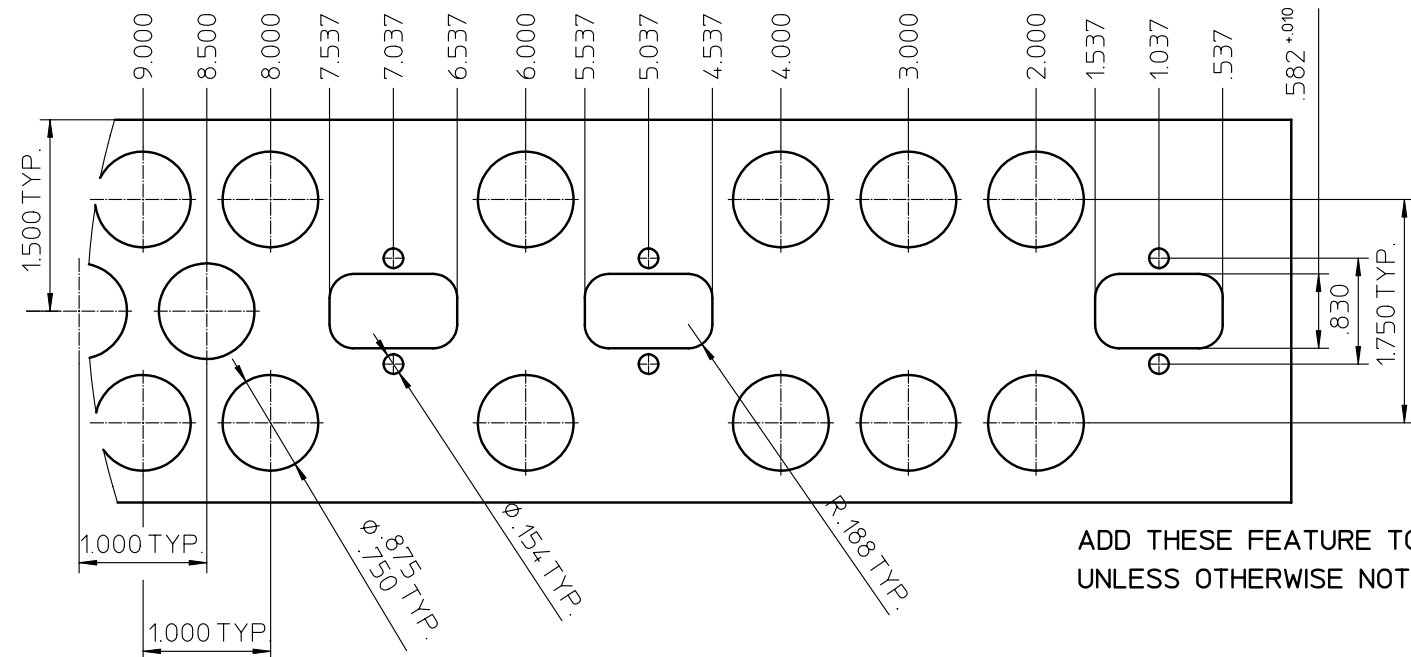
Copyright by Festo Corporation
 All rights reserved.
 Referred to protection notice ISO 16016.

DIN A4

GENERAL NOTES:

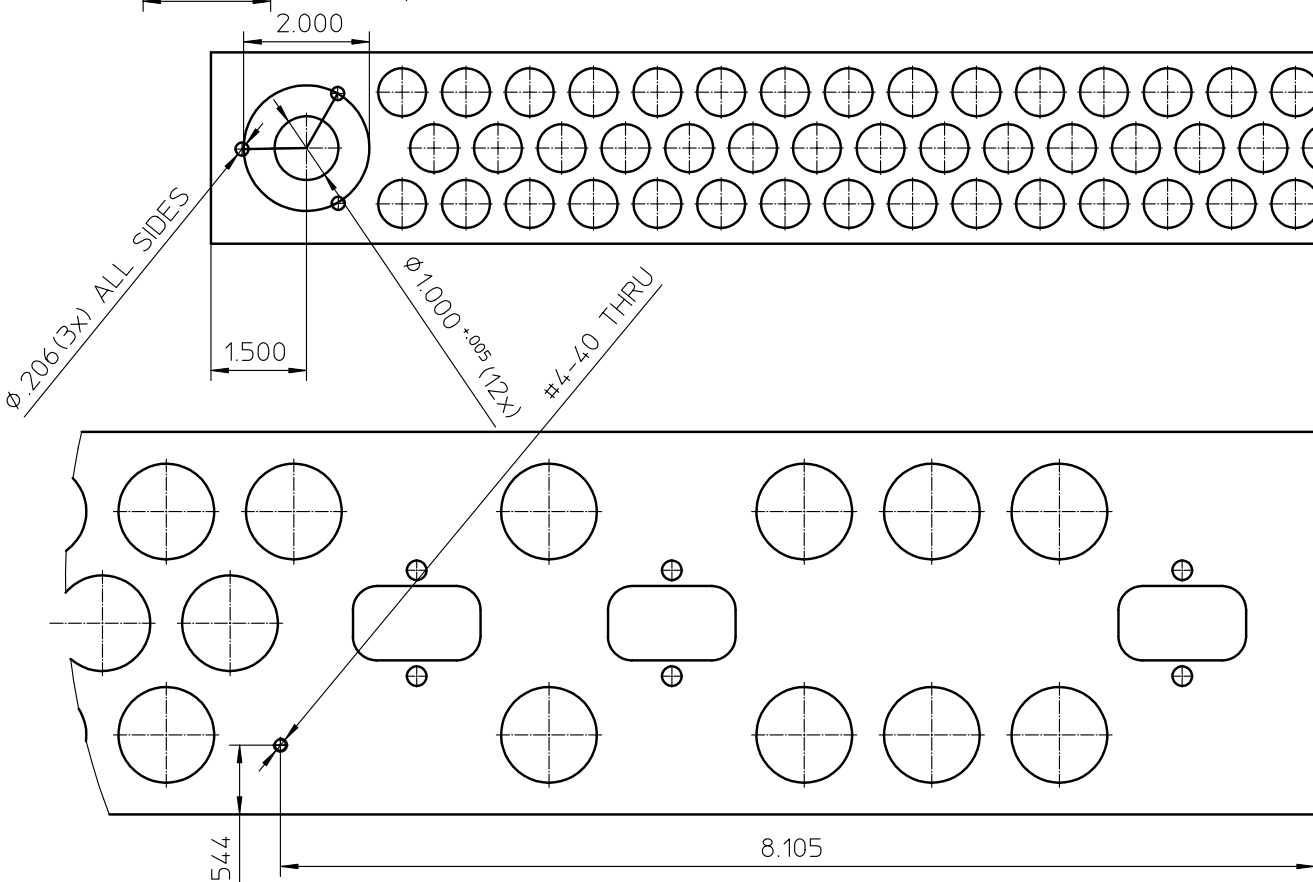
- 1- QUANTITY REQUIRED: 2 PCS
- 2- MATERIAL: ALUMINUM SQUARE TUBE
3" X 3" X .125" THK

37.000 ±.125

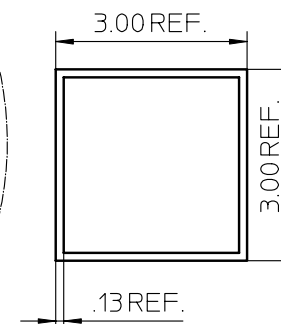


DETAIL A

ADD THESE FEATURE TO ALL SIDES
UNLESS OTHERWISE NOTED.



DETAIL B



Annotation - drawing

unless otherwise specified dimensions are in mm

Index	Modification No.	Qty	Date	Name
-				

Type FIRST

F-US	Date	Name	Material	SEE NOTES ABOVE
Signed	02-02-05	USOEKI		
Checked				
Approved			Made of Part No.	

Scale: 1:1

Designation: SQUARE TUBE

Doc-Type: DRW

Part No.: U2586403

Sheet: 001/001

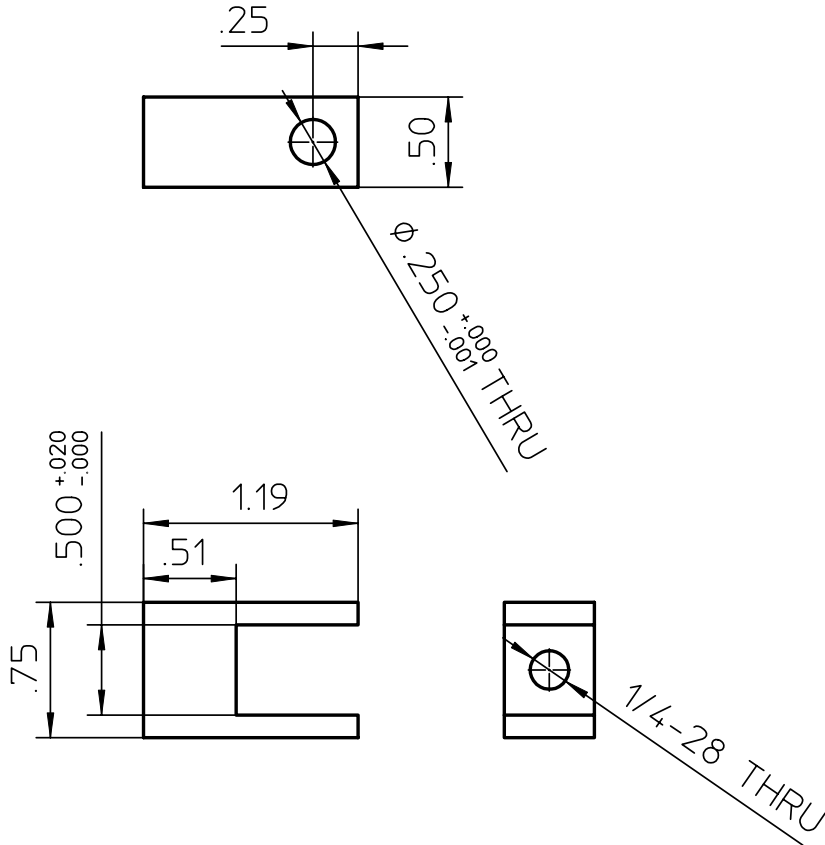
FESTO

Copyright by Festo Corporation
All rights reserved
Referred to protection notice ISO 16016.

DIN A2

GENERAL NOTES:

1- QUANTITY REQUIRED: 2 PC



Annotation - drawing

unless otherwise specified dimensions are in mm

Index	Modification No.	Qty.	Date	Name
-				
Type FIRST				

F-US	Date	Name	Material	
Signed	02-03-05	USOEKI	ALUMINUM	
Checked				
Approved			Made of Part No.	
Scale	Designation		Doc-Type	Part No.
1:1	CLEVIS		DRW	U2568408

Copyright by Festo Corporation
 All rights reserved.
 Referred to protection notice ISO 16016.

DIN A4

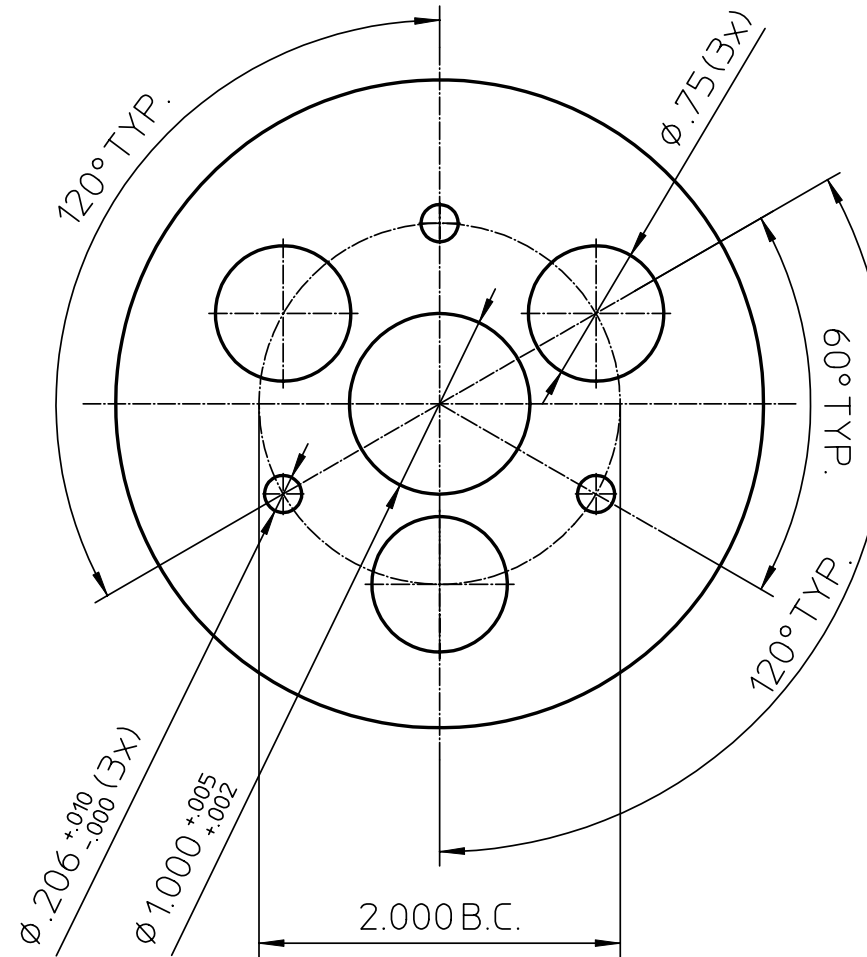
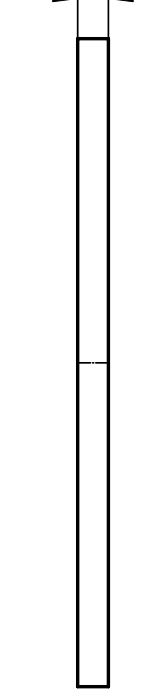
GENERAL NOTES:

- 1- ALL DIMENSIONS ARE MODIFICATIONS ONLY.
- 2- THE FOLLOWING MATERIALS ARE TO BE MODIFIED AS PER DIMENSIONS BELOW.

MANUFACTURER: MARTIN GEAR & SPROCKETS

QTY	PART#	DESCRIPTION
2	35A25	#35 CHAIN SPROCKET 25 TEETH
2	35A30	#35 CHAIN SPROCKET 30 TEETH
2	35A35	#35 CHAIN SPROCKET 35 TEETH

.170 REF.



Annotation - drawing

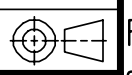
unless otherwise specified dimensions are in mm

Copyright by Festo Corporation
 All rights reserved.
 Referred to protection notice ISO 16016.

Index		Modification No.	Qty.	Date	Name
-					
Type FIRST					
F-US	Date	Name	Material SEE NOTES ABOVE		
Signed	02-10-05	US0EK1			
Checked					
Approved			Made of Part No.		
Scale	Designation		Doc-Type	Part No.	
1:1	SPROCKET		DRW	U2568420	

FESTO

Sheet 001/001



DIN A3 F

1 2 3 4

GENERAL NOTES:

1- QUANTITY REQUIRED: 6 PCS

2- MATERIAL: ALUMINUM 3"OD X .5THK DISC
MCMaster#9034K11.

A

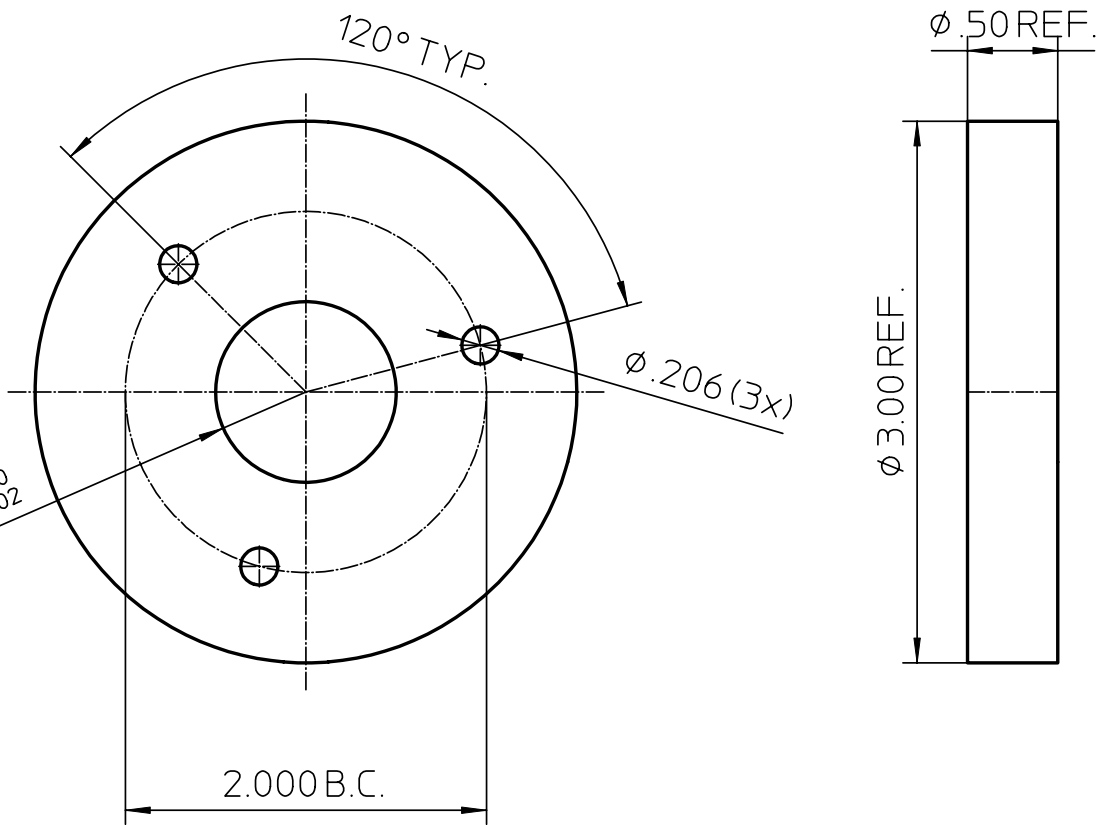
B

C

D

E

F



Annotation - drawing

unless otherwise specified dimensions are in mm

Index	Modification No.	Qty.	Date	Name
-				
Type FIRST				

F-US	Date	Name	Material		
Signed	02-07-05	US0EKI	SEE NOTES ABOVE		
Checked					
Approved			Made of Part No.		
Scale		Designation		Doc-Type	Part No.
1:1		BRACKET		DRW	U2586421

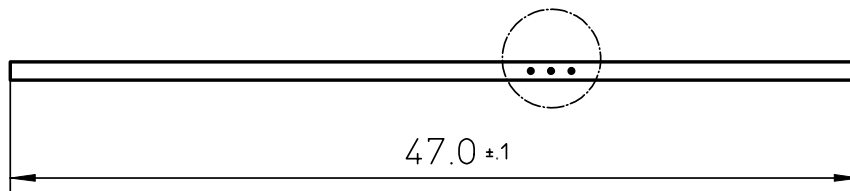
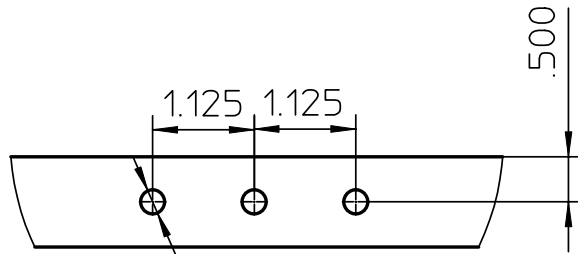
Copyright by Festo Corporation
All rights reserved.
Referred to protection notice ISO 16016.

DIN A4

GENERAL NOTES:

1- QUANTITY REQUIRED: 4 PCS

2- MATERIAL: ALUMINUM SQUARE 1" X 1" X .125THK



Annotation - drawing

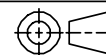
unless otherwise specified dimensions are in mm

Index	Modification No.	Qty.	Date	Name
-				
Type FIRST				

F-US	Date	Name	Material SEE NOTES ABOVE
Signed	02-10-05	US0EKI	
Checked			
Approved			
Made of Part No.			

FESTO

Sheet 001/001



Scale	Designation	Doc-Type	Part No.
1:10	SQAURE TUBE	DRW	U2586434

Copyright by Festo Corporation
All rights reserved.
Referred to protection notice ISO 16016.

DIN A4

GENERAL NOTES:

1- QUANTITY REQUIRED: 2 PCS

2- MATERIAL: ALUMINUM SQUARE TUBE 1" X 1" X .125"THK

A

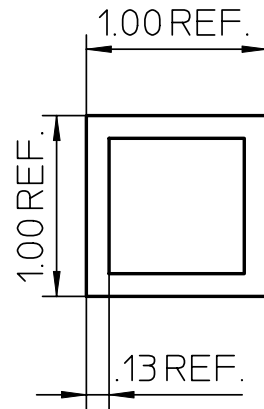
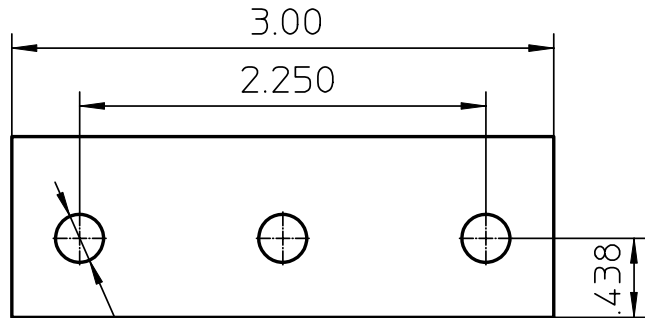
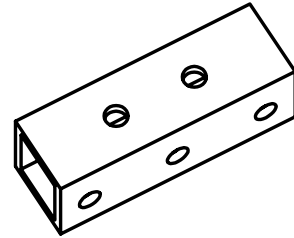
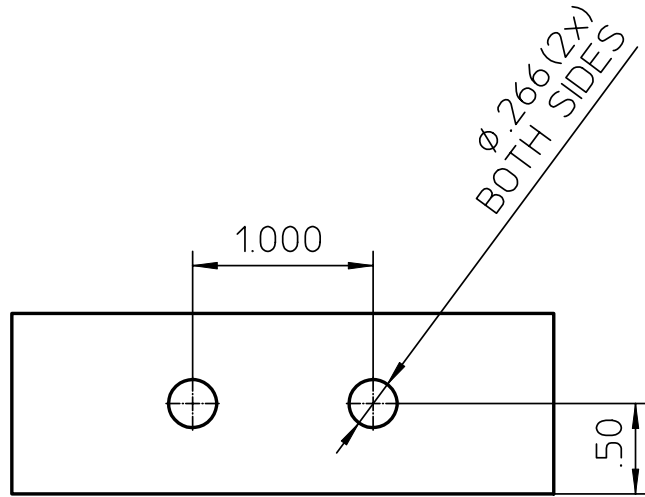
B

C

D

E

F



Annotation - drawing

unless otherwise specified dimensions are in mm

Index	Modification No.	Qty.	Date	Name
-				

Type FIRST

F-US	Date	Name	Material	SEE NOTES ABOVE
Signed	02-10-05	US0EKI		
Checked				
Approved			Made of Part No.	

FESTO

Sheet 001/001

Scale	Designation	Doc-Type	Part No.
1:1	GEARBOX SUPPORT	DRW	U2586435

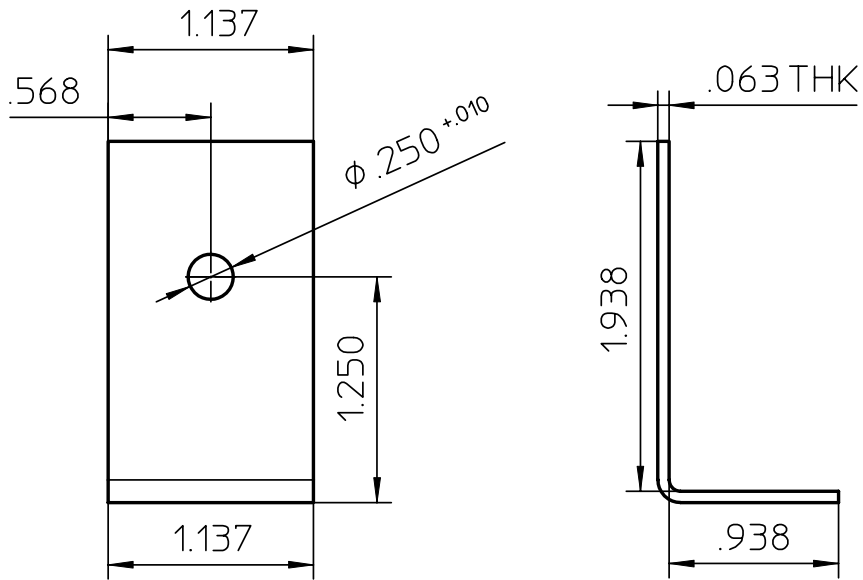
Copyright by Festo Corporation
All rights reserved.
Referred to protection notice ISO 16016.

DIN A4

GENERAL NOTES:

1- QUANTITY REQUIRED: 8 PCS

2- MATERIAL: STEEL



Annotation - drawing

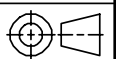
unless otherwise specified dimensions are in mm

Index	Modification No.	Qty.	Date	Name
-				
Type FIRST				

F-US	Date	Name	Material STEEL
Signed	02-10-05	USOEKI	
Checked			
Approved			
Made of Part No.			

FESTO

Sheet 001/001



Scale	Designation	Doc-Type	Part No.
1:1	BRACKET	DRW	U2586441

Copyright by Festo Corporation
All rights reserved.
Referred to protection notice ISO 16016.

DIN A4

GENERAL NOTES:

1- QUANTITY REQUIRED: 4 PCS

2- MATERIAL: ALUMINUM

A

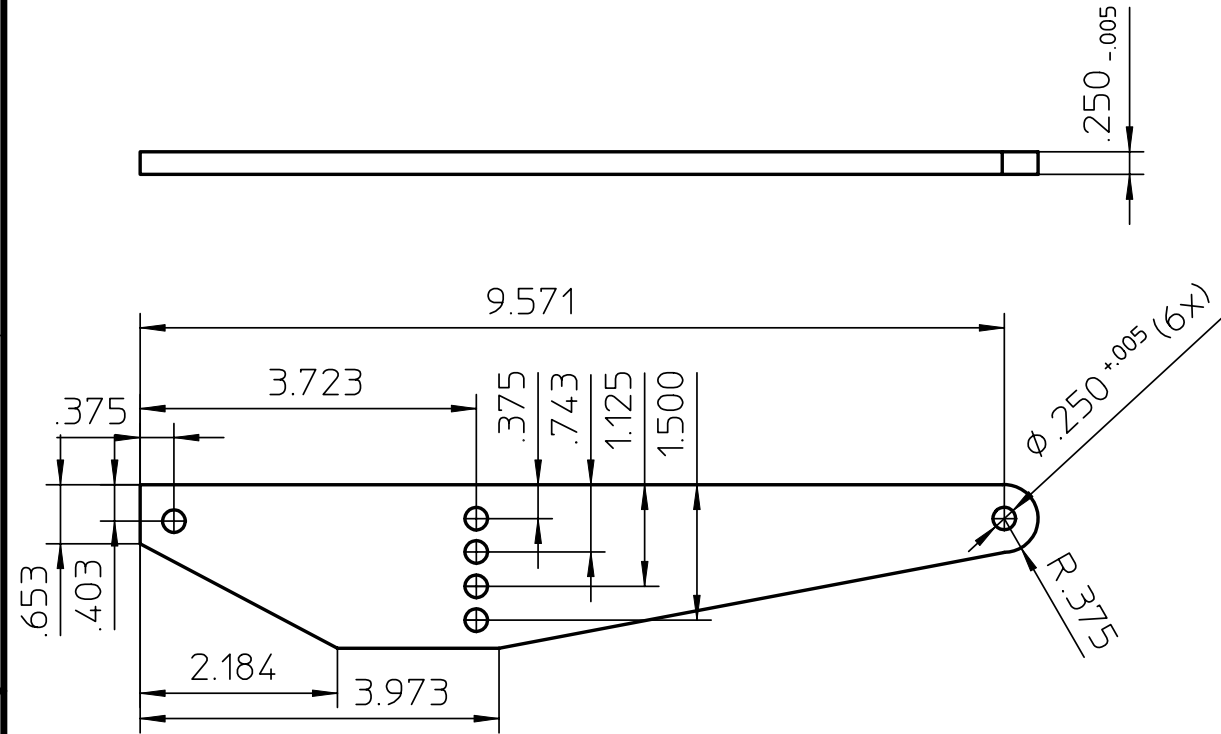
B

C

D

E

F



Annotation - drawing

unless otherwise specified dimensions are in mm

Index	Modification No.	Qty.	Date	Name
-				
Type FIRST				

F-US	Date	Name	Material
Signed	02-10-05	US0EKI	SEE NOTES ABOVE
Checked			
Approved			Made of Part No.

FESTO

Sheet 001/001

Scale	Designation	Doc-Type
1:1	PUSH DOWN ARM	DRW

Part No.
U2586443

Copyright by Festo Corporation
All rights reserved.
Referred to protection notice ISO 16016.

DIN A4

1 2 3 4

GENERAL NOTE:

- 1- GLUE ϕ .250 TO POTENTIOMETER SHAFT.
- 2- GLUE ϕ .334 TO ID OF GEAR SHAFT.
- 3- ϕ .375 OD X ϕ .125ID POLYCARBONATE TUBE.
- 4- QUANTITY REQUIRED: 2 PCS.

A

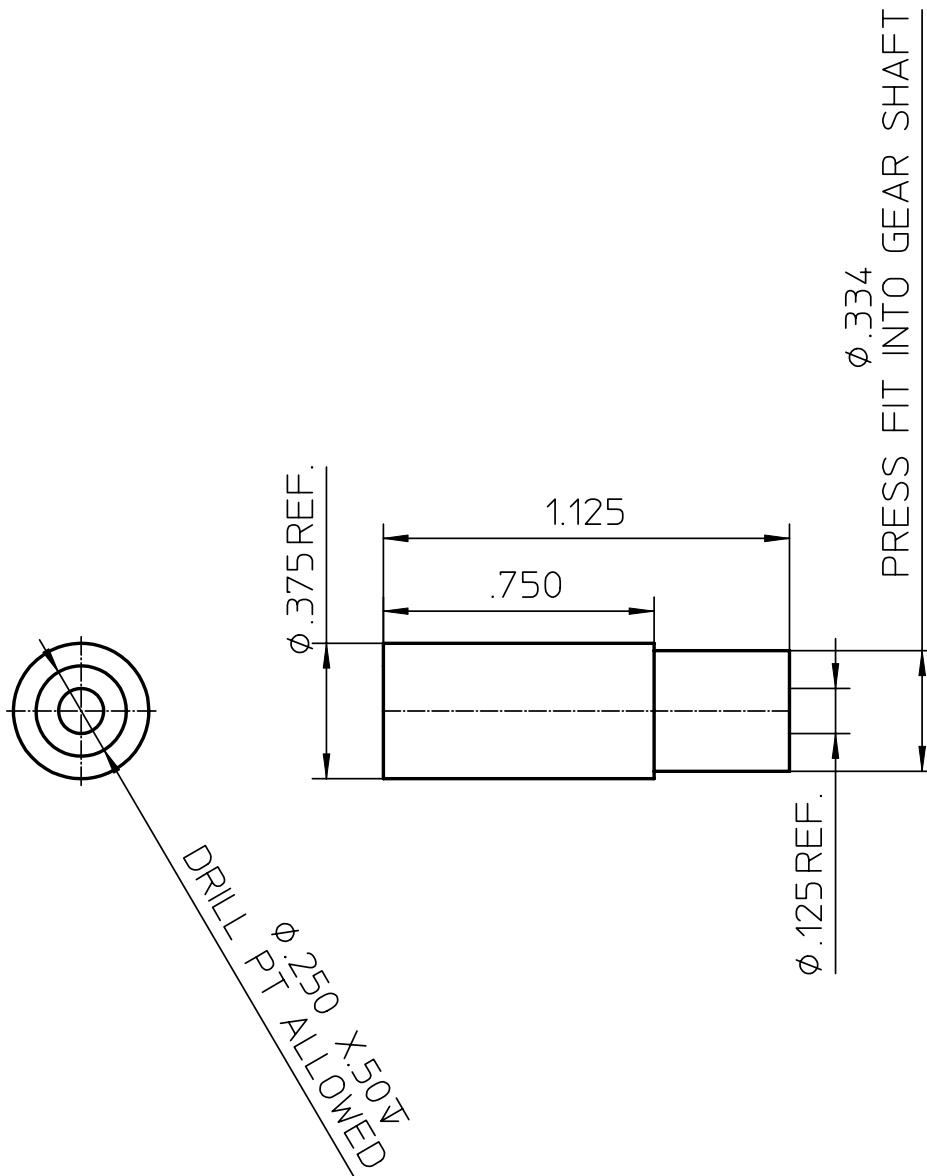
B

C

D

E

F



Annotation - drawing

unless otherwise specified dimensions are in mm

Index	Modification No.	Qty.	Date	Name
-				
Type FIRST				

F-US	Date	Name	Material SEE NOTES ABOVE	FESTO
Signed	02-16-05	US0EKI		
Checked			Made of Part No.	Sheet 001/001
Approved				Part No. U2586444
Scale 1:1	Designation SENSOR SHAFT		Doc-Type DRW	Part No. U2586444

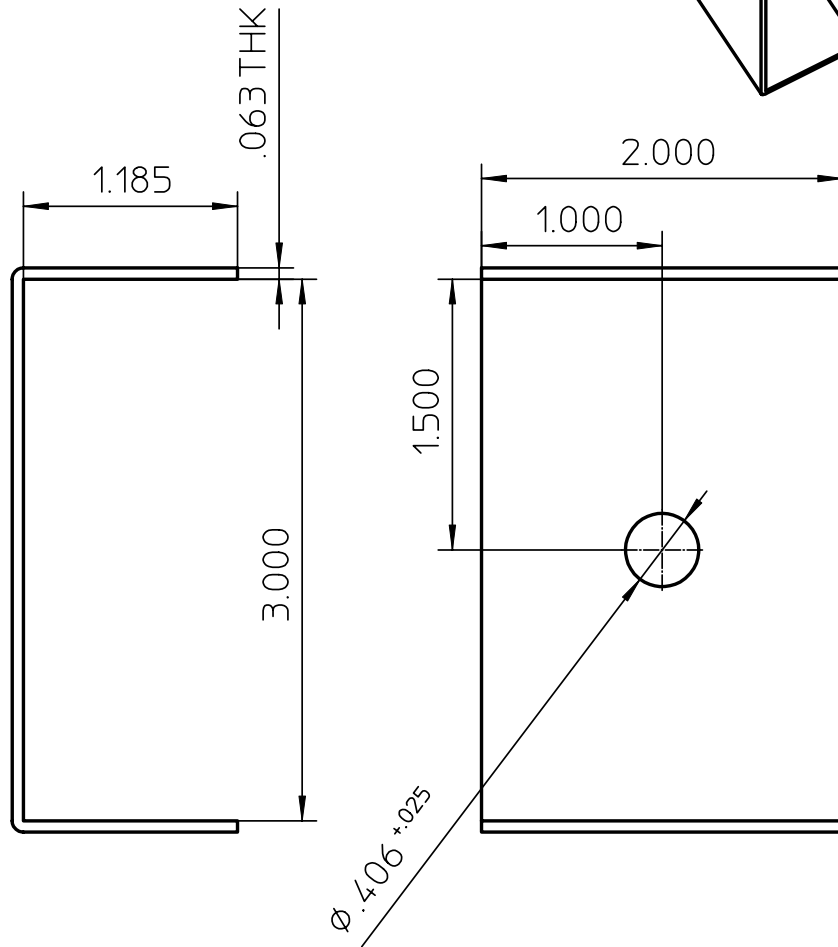
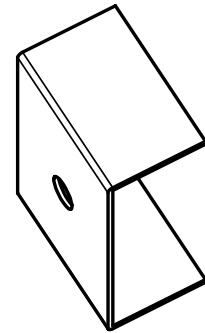
Copyright by Festo Corporation
 All rights reserved.
 Referred to protection notice ISO 16016.

DIN A4

GENERAL NOTES:

1- QUANTITY REQUIRED: 2 PCS

2- MATERIAL: ALUMINUM SHEET .063 THK



Annotation - drawing

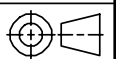
unless otherwise specified dimensions are in mm

Index	Modification No.	Qty.	Date	Name
-				
Type FIRST				

F-US	Date	Name	Material	SEE NOTES
Signed	02-16-05	US0EKI		
Checked				
Approved			Made of Part No.	

FESTO

Sheet 001/001



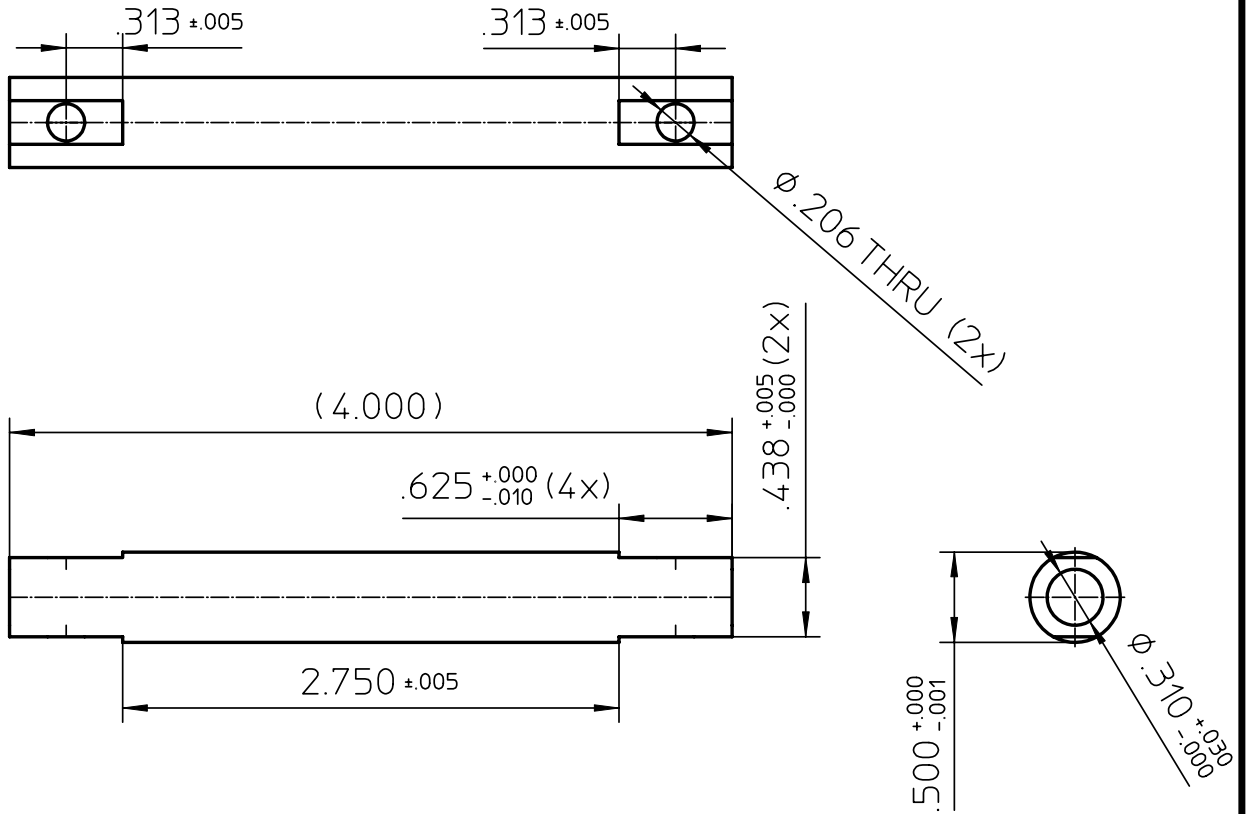
Scale	Designation	Doc-Type	Part No.
1:1	POT MTG PLATE	DRW	U2586446

Copyright by Festo Corporation
All rights reserved.
Referred to protection notice ISO 16016.

DIN A4

GENERAL NOTES:

1- QUANTITY REQUIRED: 8 PCS



Annotation - drawing

unless otherwise specified dimensions are in mm

Index	Modification No.	Qty.	Date	Name
-				
Type FIRST				

F-US	Date	Name	Material	STEEL
Signed	01-13-05	USOEKI		
Checked				
Approved			Made of Part No.	

FESTO

Sheet 001/001

Scale	Designation	Doc-Type	Part No.
1:1	WHEEL SHAFT	DRW	U2567321

Copyright by Festo Corporation
 All rights reserved.
 Referred to protection notice ISO 16016.

DIN A4